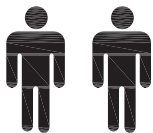
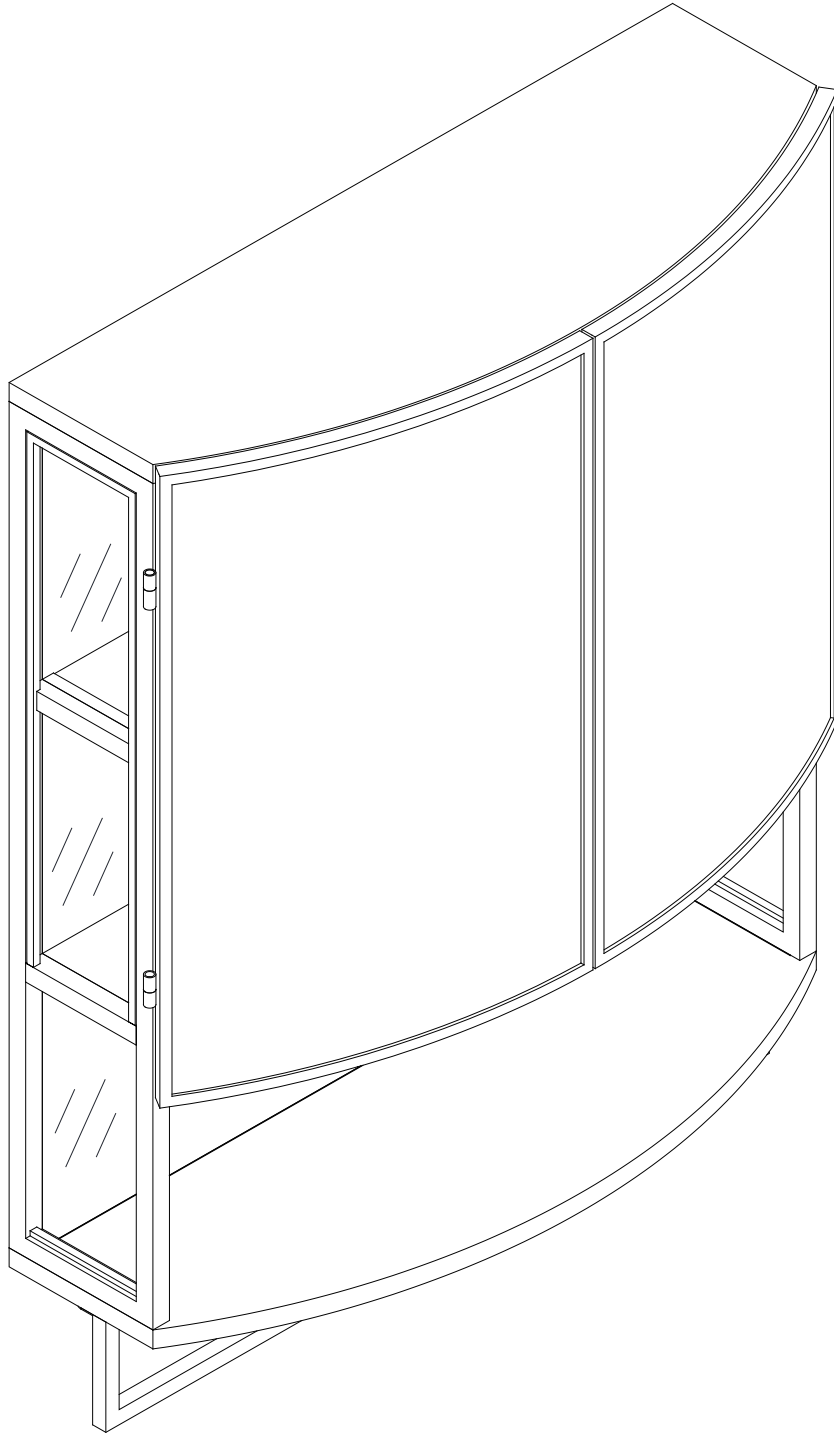


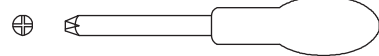
# ASSEMBLY INSTRUCTION



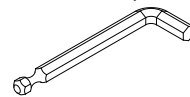
2 PERS



40 MIN



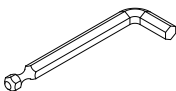
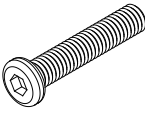
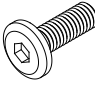
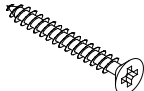
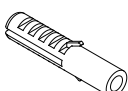
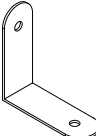
Pozi Screwdriver(Not Provided)



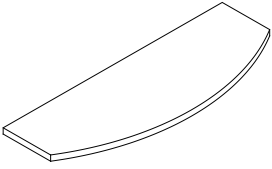



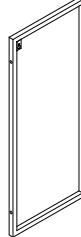
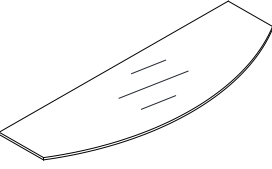
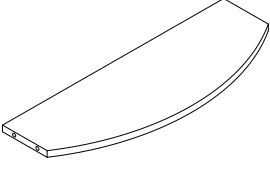
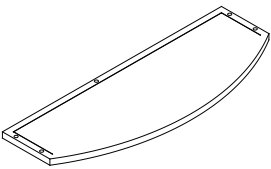
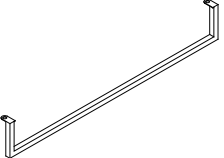
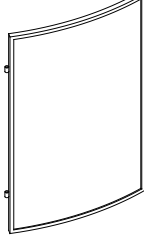

Hexagonal wrench(Provided)

# Assembly Instruction

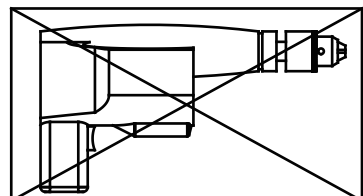
## HARDWARE LIST

<b>A</b> 	<b>B</b>  M6x25mm	<b>C</b>  M6x10mm	<b>D</b>  M4x30mm	<b>E</b>  4 PCS
1 PC	16 PCS	6 PCS	4 PCS	4 PCS
<b>Q</b> 				
2 PCS				

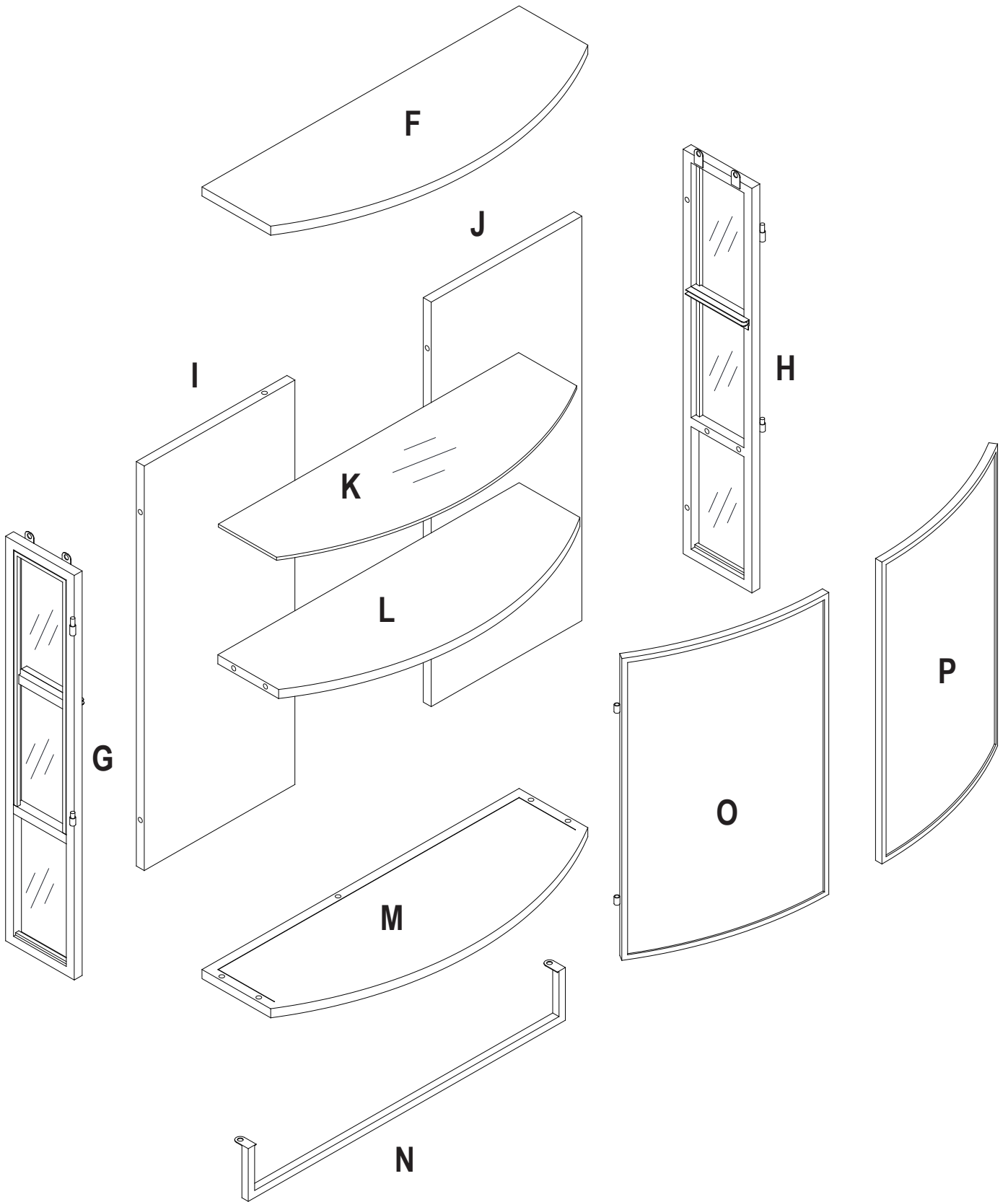
## PART LIST

<b>F</b> 	<b>G</b> 	<b>H</b> 	<b>I</b> 	<b>J</b> 
1 PC	1 PC	1 PC	1 PC	1 PC
<b>K</b> 	<b>L</b> 	<b>M</b> 	<b>N</b> 	<b>O</b> 
1 PC	1 PC	1 PC	1 PC	1 PC
<b>P</b> 				
1 PC				

● Do not use power tools to assemble your furniture.  
Power tools may strip or damage the parts.

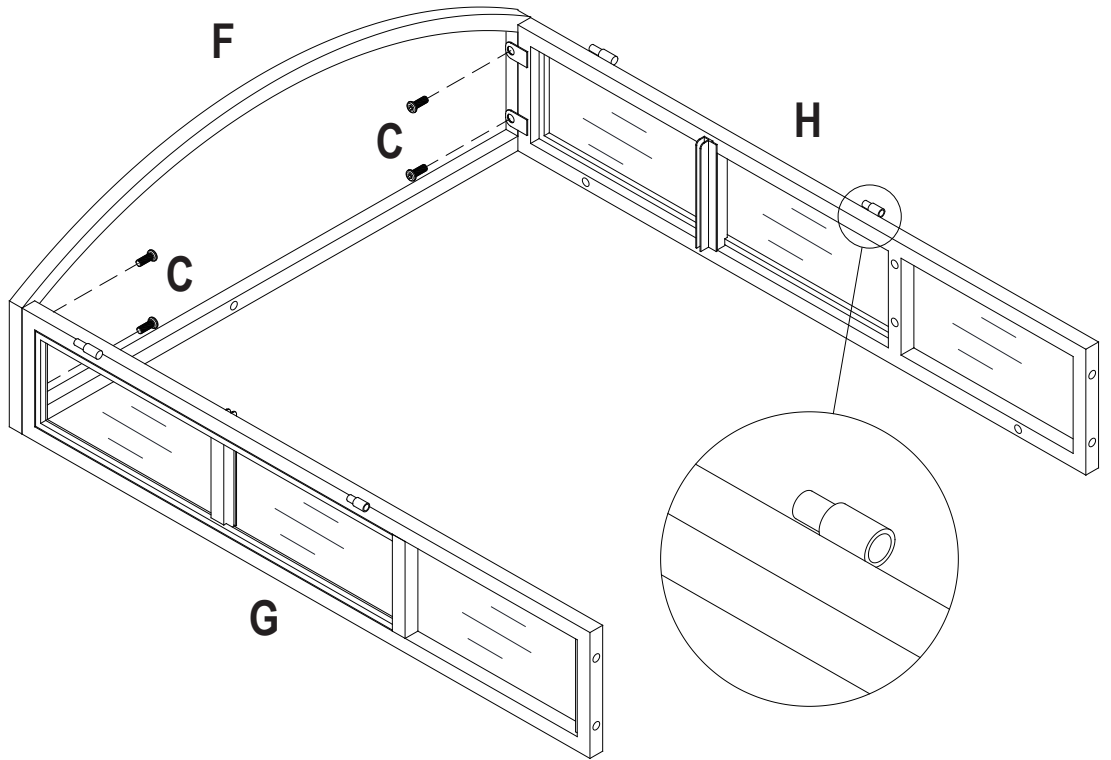
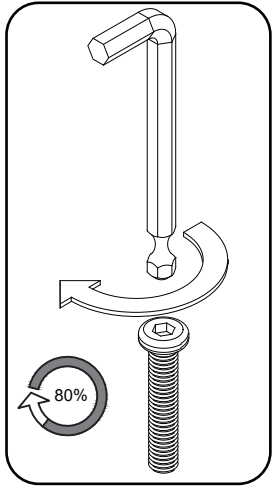


# Explosive View



**IMPORTANT NOTE: DO NOT** tighten all screws and bolts until completely assembled

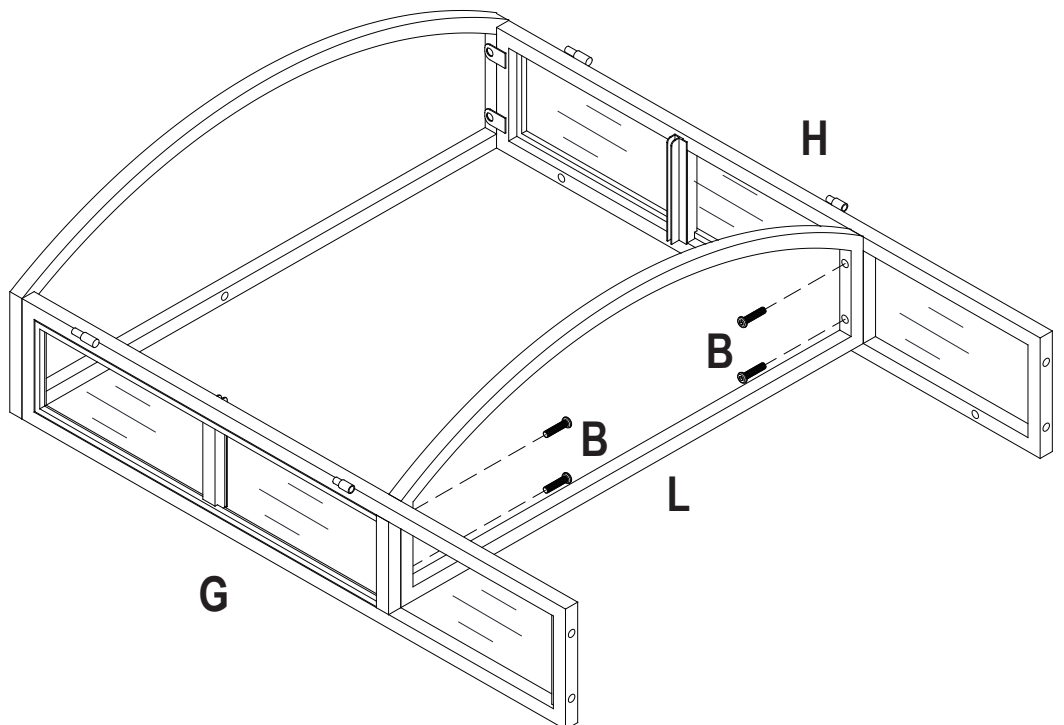
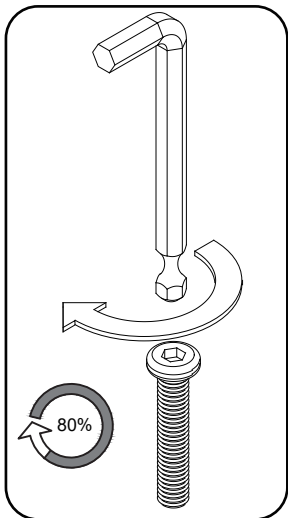
## Step 1



**C X 4 PCS**

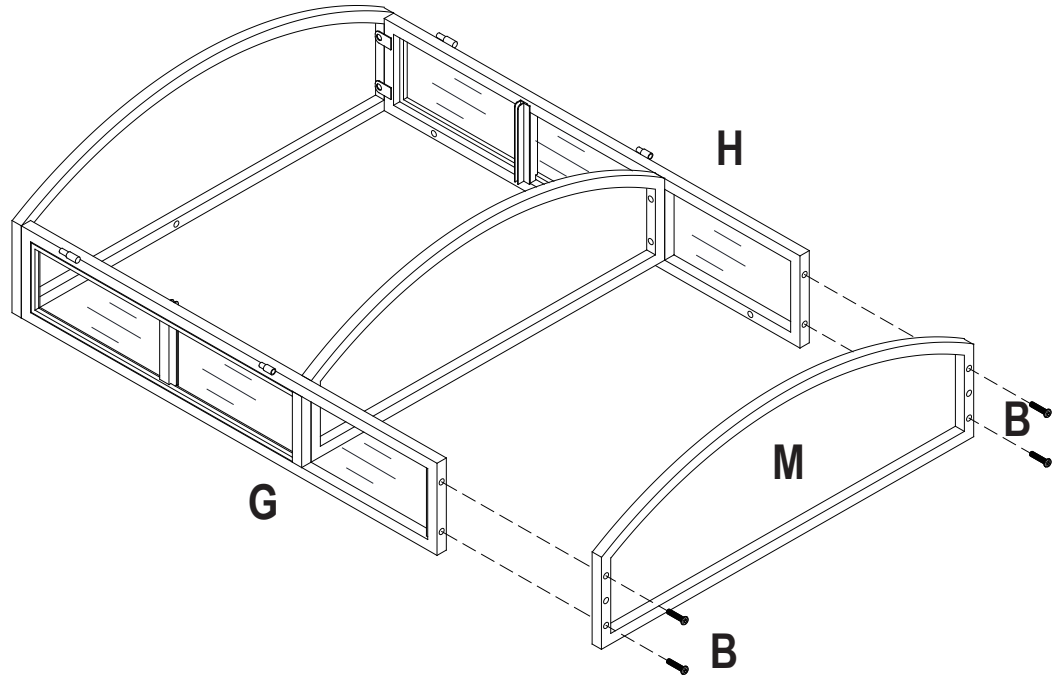
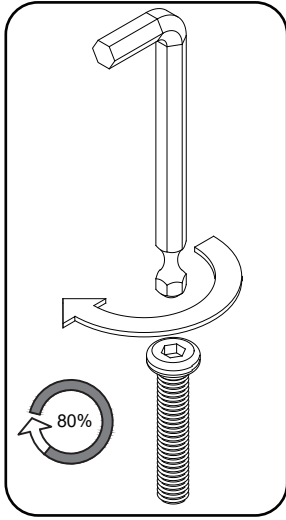
**A X 1 PC**

## Step 2



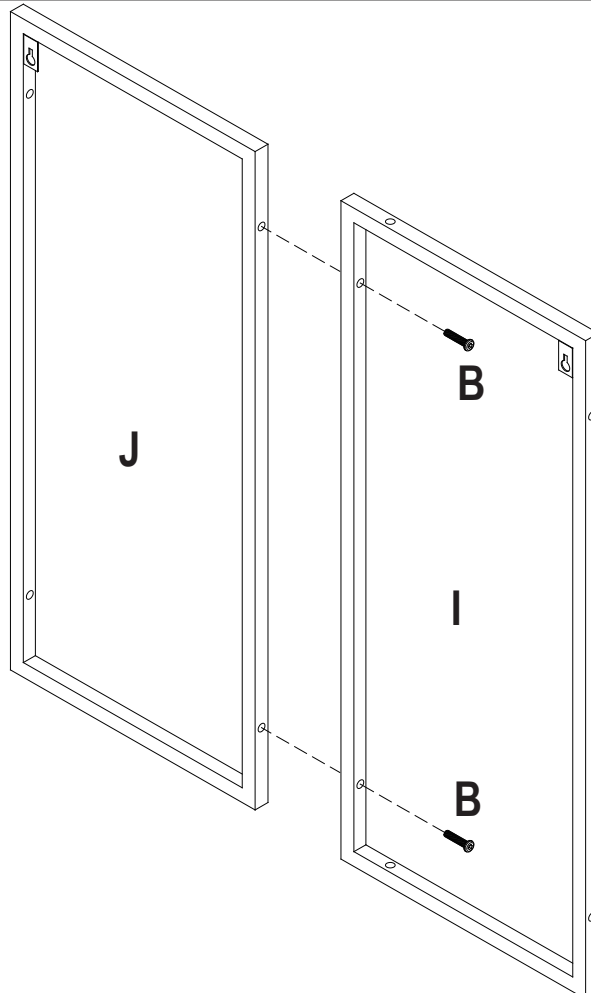
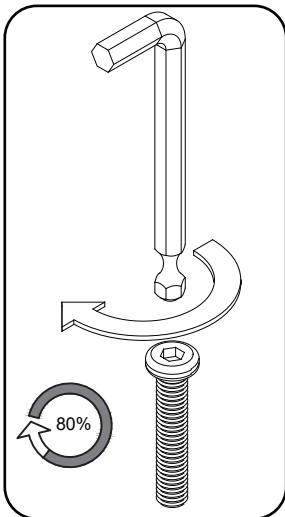
**B X 4 PCS**

### Step 3



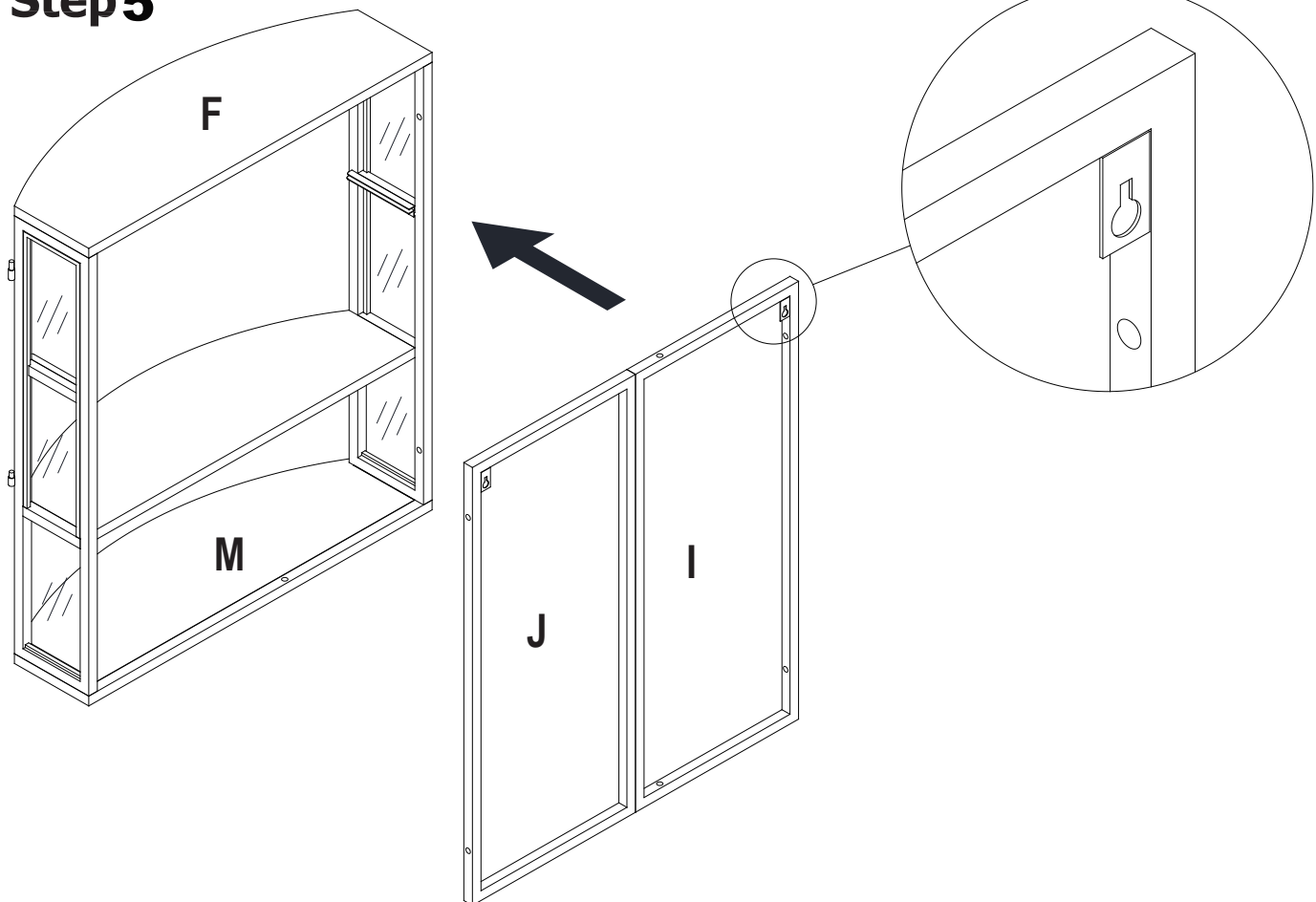
**B X4 PCS**

### Step 4

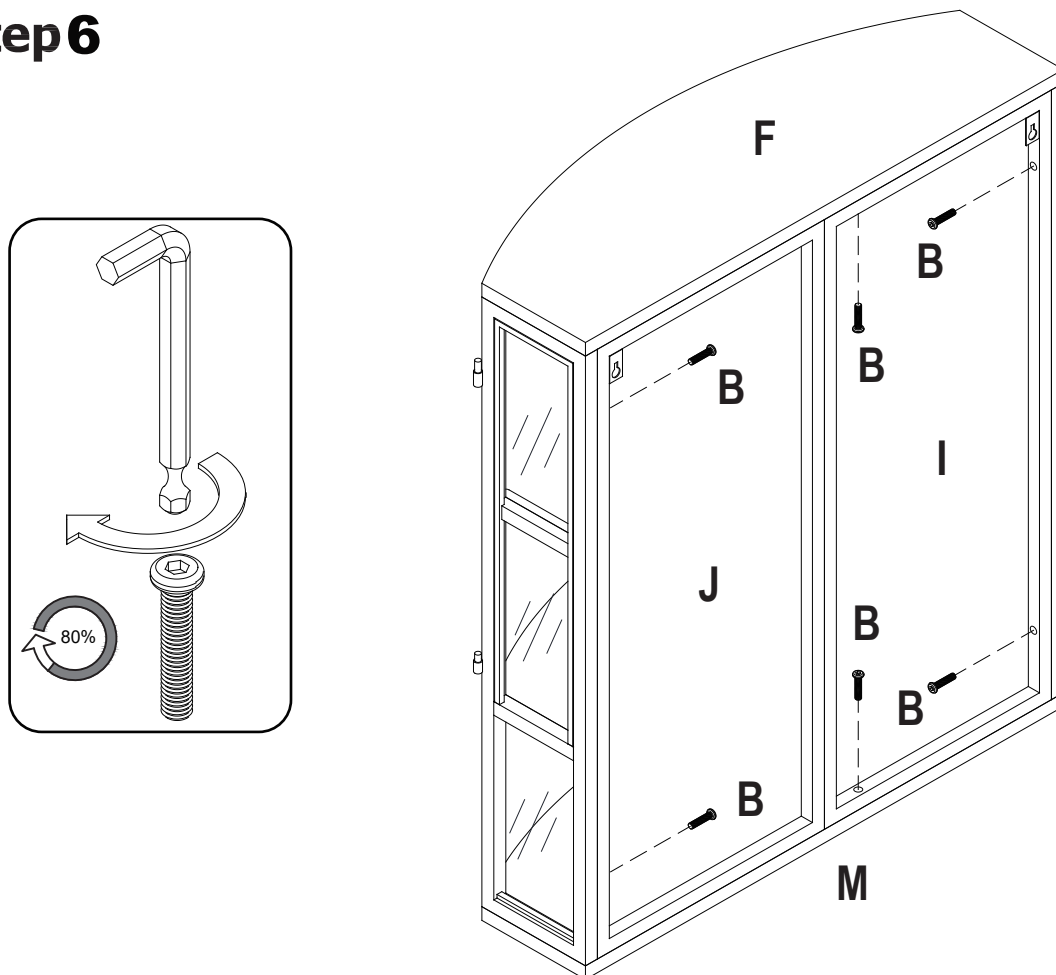


**B X2 PCS**

## Step 5

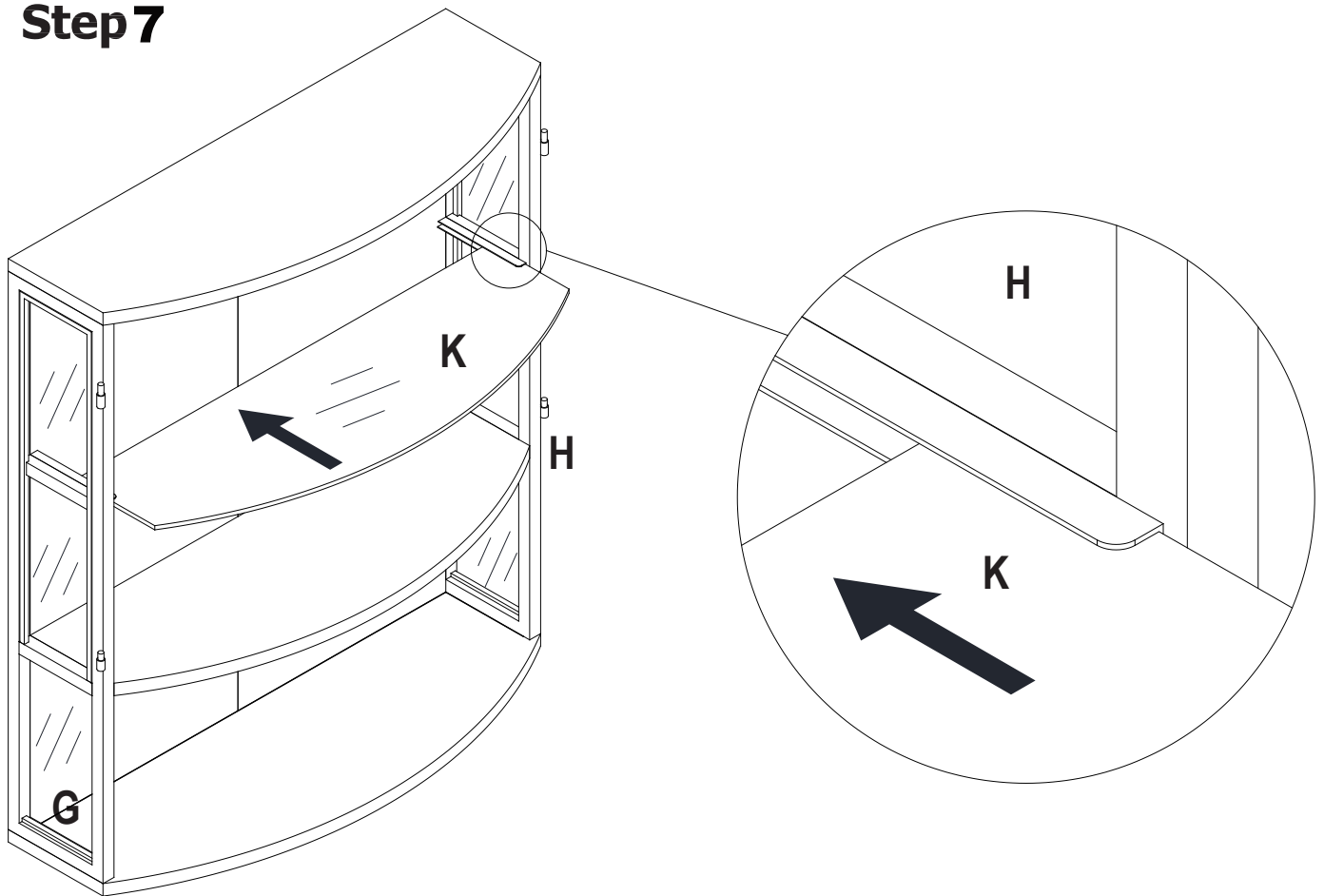


## Step 6

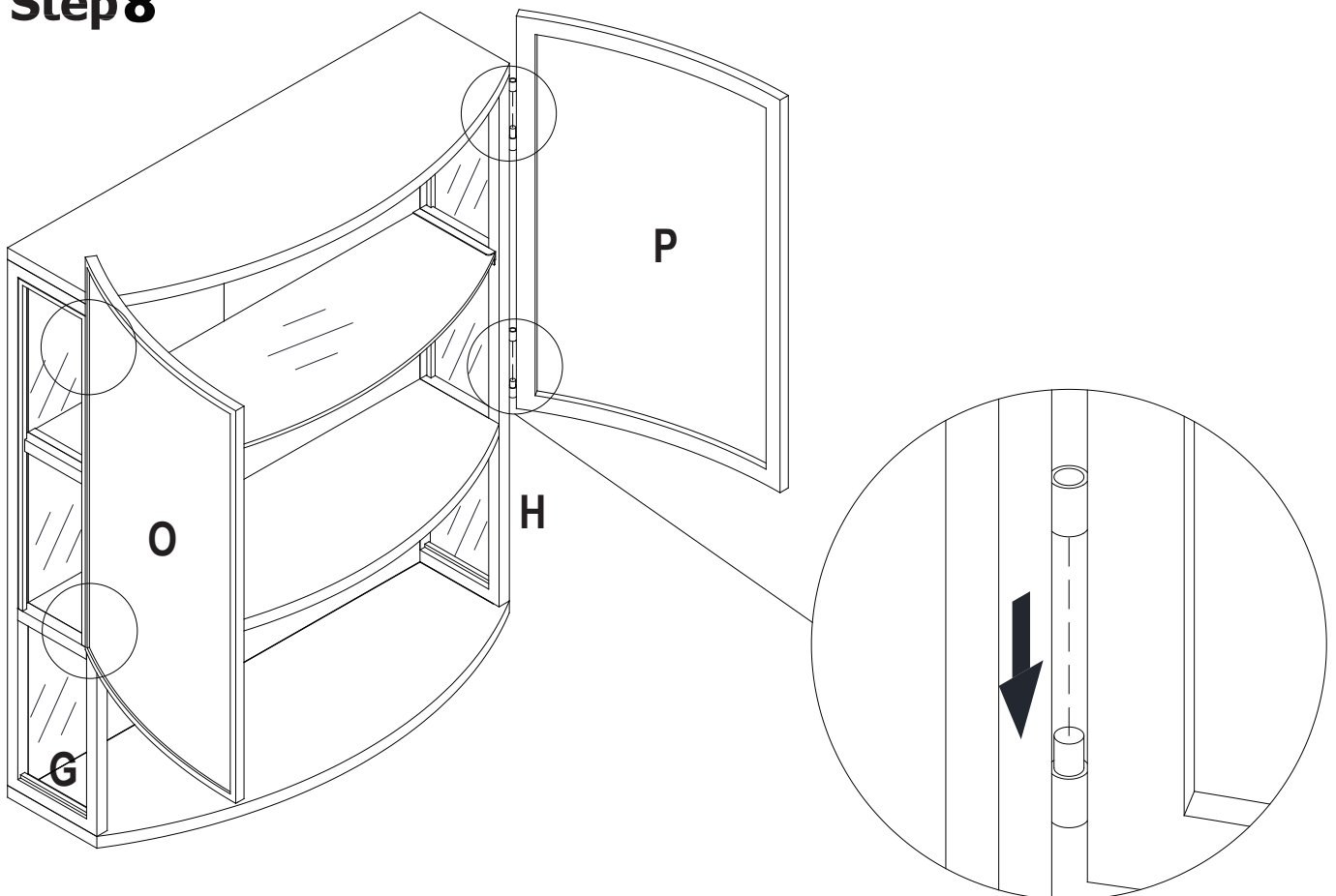


**B X6 PCS**

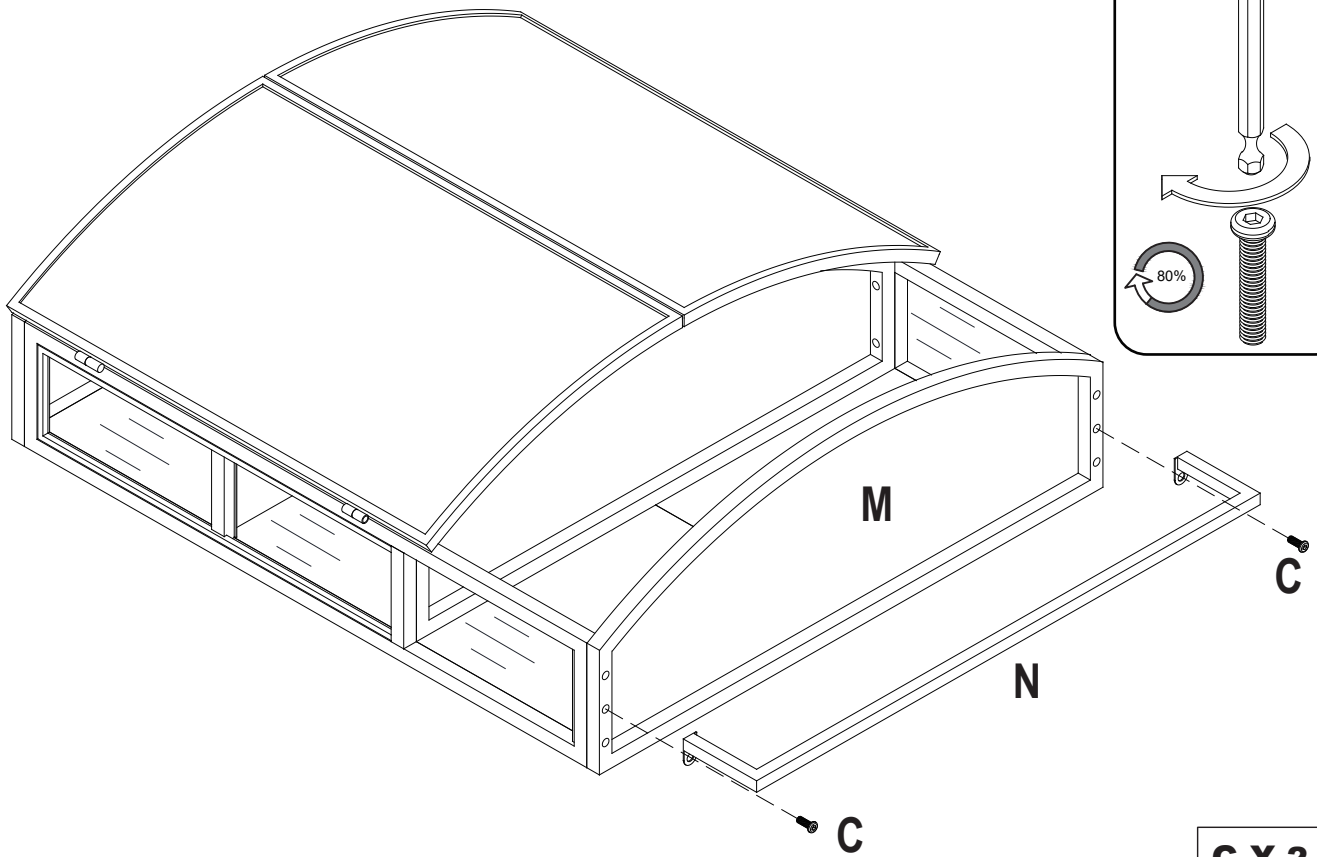
## Step 7



## Step 8

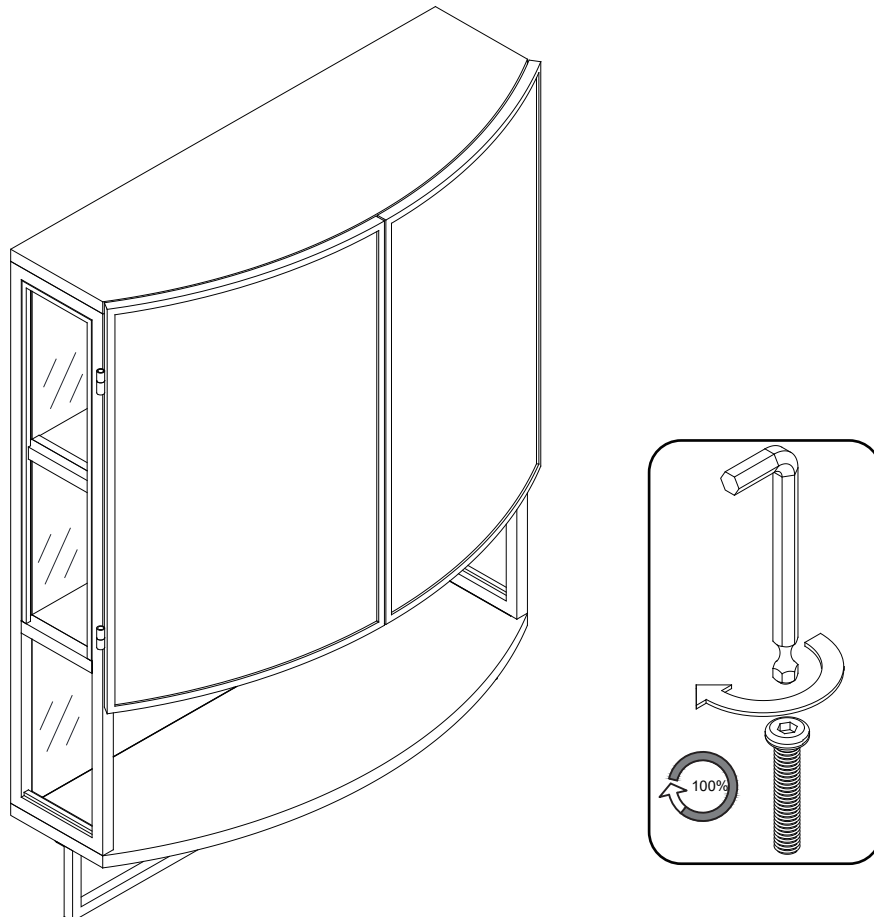


## Step 9



**C X 2 PCS**

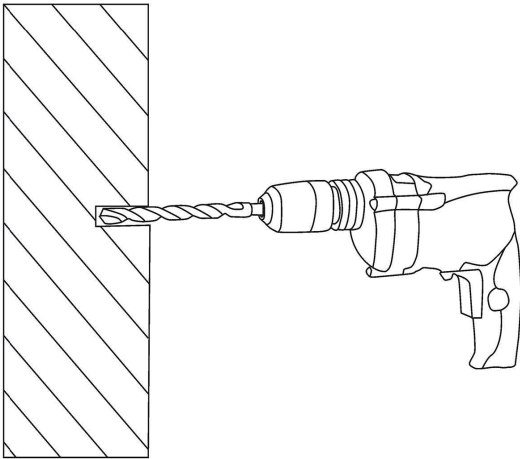
## Step 10



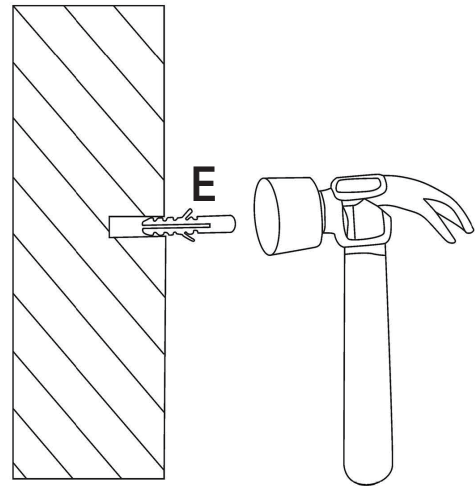
**NOTE:**AFTER ASSEMBLY,PLEASE MAKE SURE THAT ALL SCREWS ARE 100% LOCKED

# Step 11

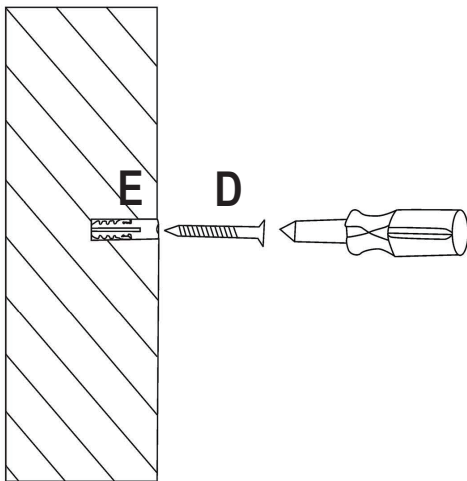
①



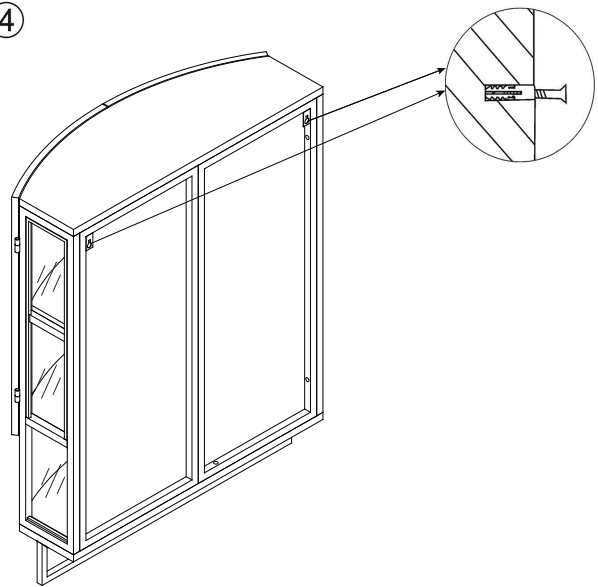
②



③



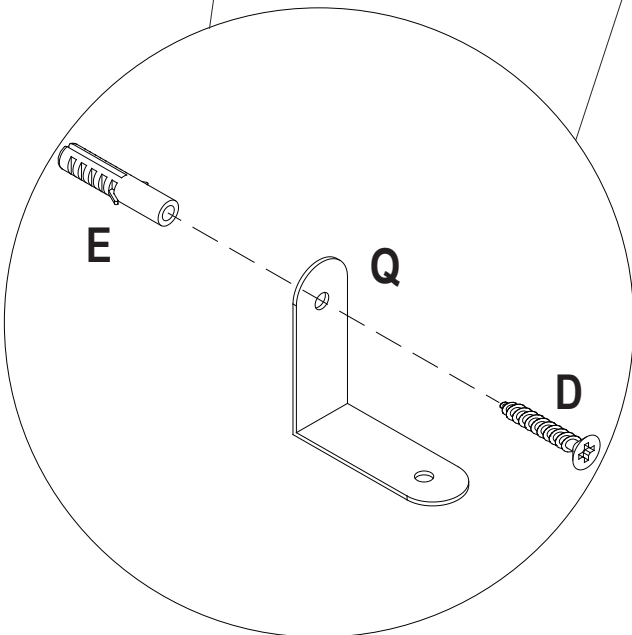
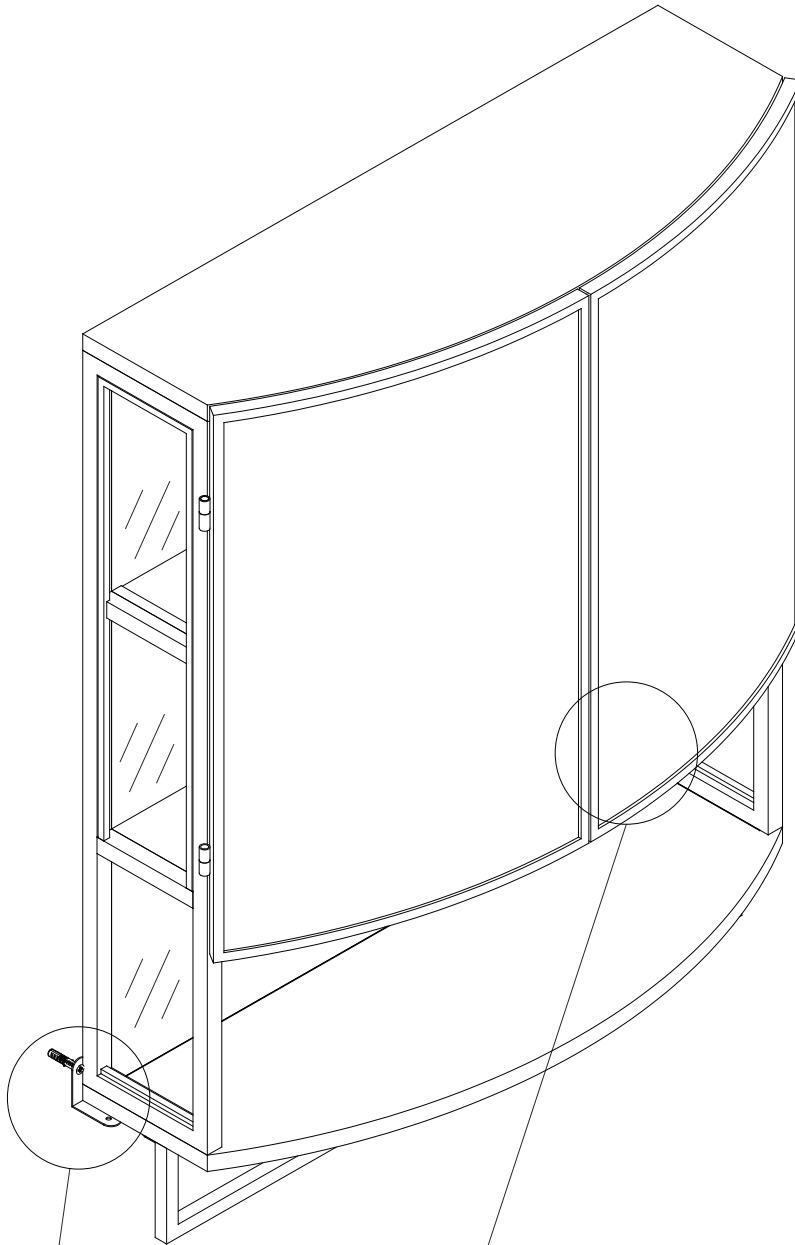
④



**D X 2 PCS**

**E X 2 PCS**

# Step 12



- |                  |
|------------------|
| <b>D X 2 PCS</b> |
| <b>E X 2 PCS</b> |
| <b>Q X 2 PCS</b> |