

Acoustic Ceiling Waffle Panel

PP-CW01G Series
Assembly Manual

Individual Product SKUs

PP-CW01G

PP-CW01NB

PP-CW01B

PP-CW01D

PP-CW01W



WARNING



If you do not understand these directions, or if you have any doubts about the safety of the installation, please contact our product support team at 309-278-5303 or help@vivo-us.com for further assistance. Check carefully to make sure there are no missing or defective parts. Failure to report missing parts within 30 days may result in denial of free replacement. Improper installation may cause damage or serious injury. Do not use this product for any purpose that is not explicitly specified in this manual. Do not exceed weight capacity. We cannot be liable for damage or injury caused by improper mounting, incorrect assembly or inappropriate use.



WARNING: CHOKING HAZARD

SMALL PARTS - NOT FOR CHILDREN UNDER 3 YEARS. ADULT SUPERVISION IS REQUIRED.



WARNING: DO NOT INSTALL INTO DRYWALL ALONE

VERIFY YOUR WALL CONSTRUCTION. USE WOOD STUDS TO MOUNT. We include mounting for brick and concrete walls. If unsure, please contact us at vivo-us.com, email at help@vivo-us.com, or call us at 309-278-5303.

Need Help? We're Here For You

US-Based Customer Support from Trained Professionals

Monday-Friday from 7am-7pm CST

Saturday 8am-4pm CST



Email Us

help@vivo-us.com



Chat with Live Agent

www.vivo-us.com



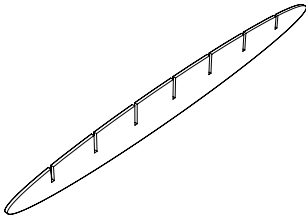
Give Us a Call

309-278-5303 ext. 1

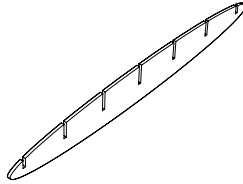


Assembly Video & Product Info
www.vivo-us.com/products/pp-cw01g

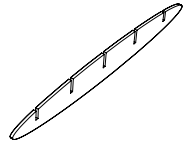
Package Contents



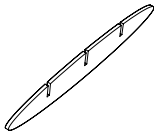
A (x2)
XL Panel



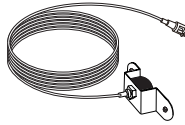
B (x4)
Large Panel



C (x4)
Medium Panel



D (x4)
Small Panel



E (x4)
Cable

Included Hardware & Tools



W-A (x8)
ST4x41mm Screw

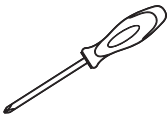


W-B (x8)
Concrete Anchor



T-A (x1)
2.5mm Allen Wrench

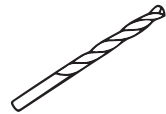
Tools Needed:



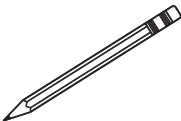
**Phillips
Screwdriver**



Drill



Drill Bit
Wood Joist: 1/8" (3mm)
Concrete/Brick: 5/16" (8mm)

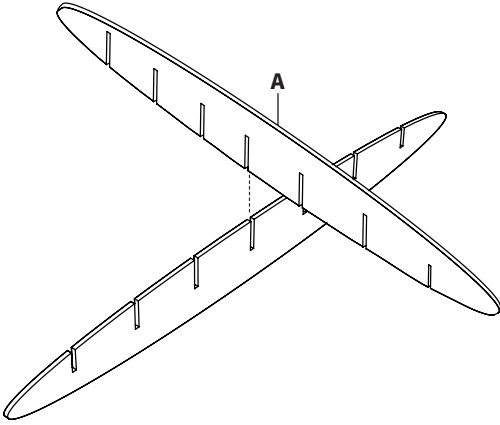


Pencil

ASSEMBLY STEPS

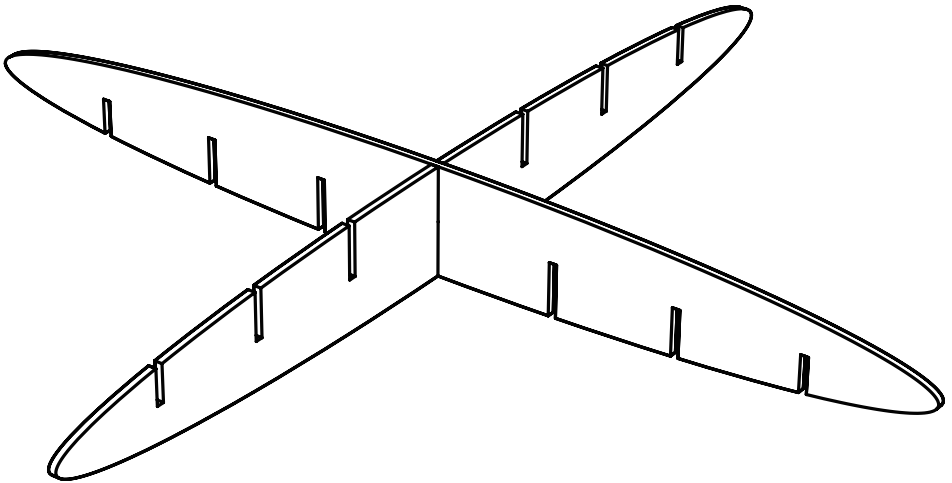
STEP 1

Assemble XL Panels (**A**) by sliding the middle slot in the upper panel into the middle slot of the lower panel as shown. The bottom panel should have the slots facing up, and the upper panel should have the slots facing down.





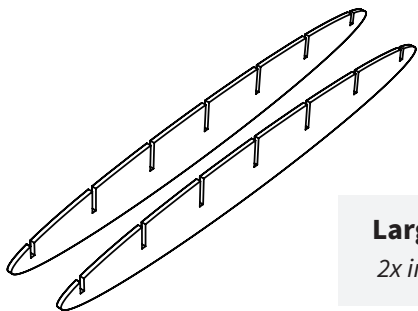
Use caution while sliding the panels together to prevent damage.



STEP 2

Sort the remaining panels by size into two groups, with two of each type of panel per group.

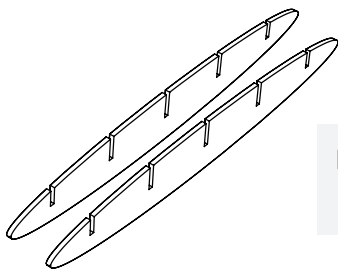
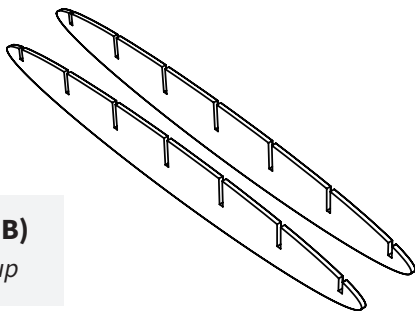
Group #1



Large Panel (B)

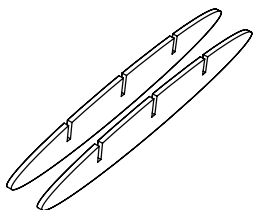
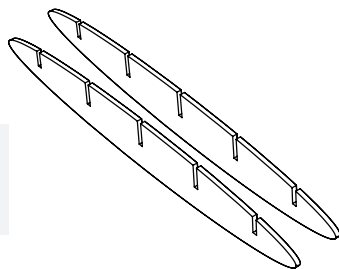
2x in Each Group

Group #2



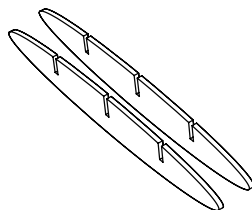
Medium Panel (C)

2x in Each Group



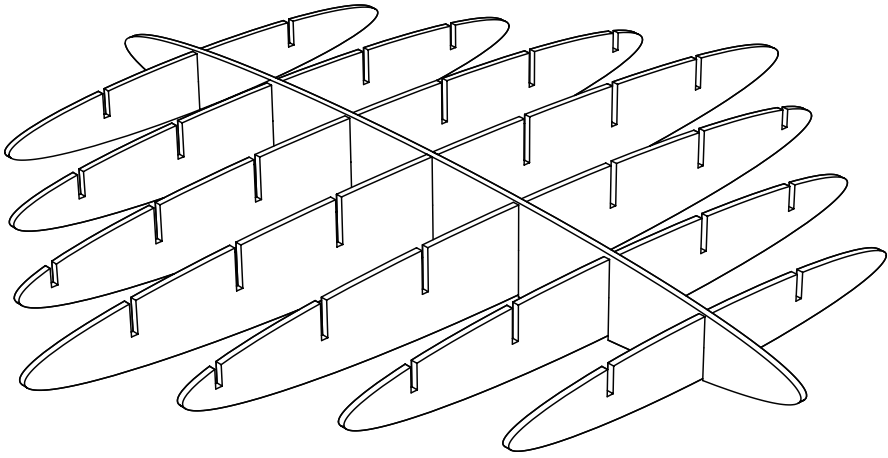
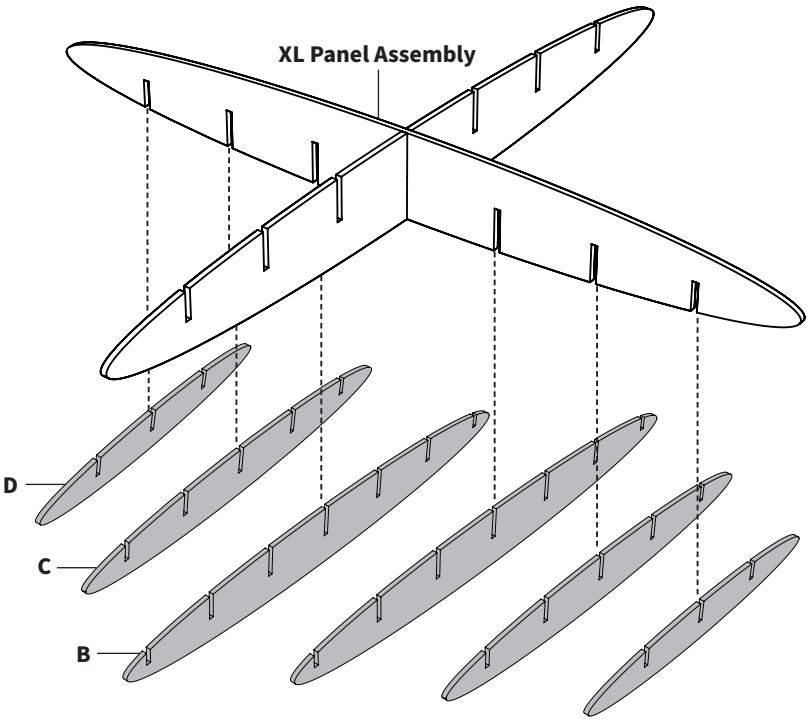
Small Panel (D)

2x in Each Group



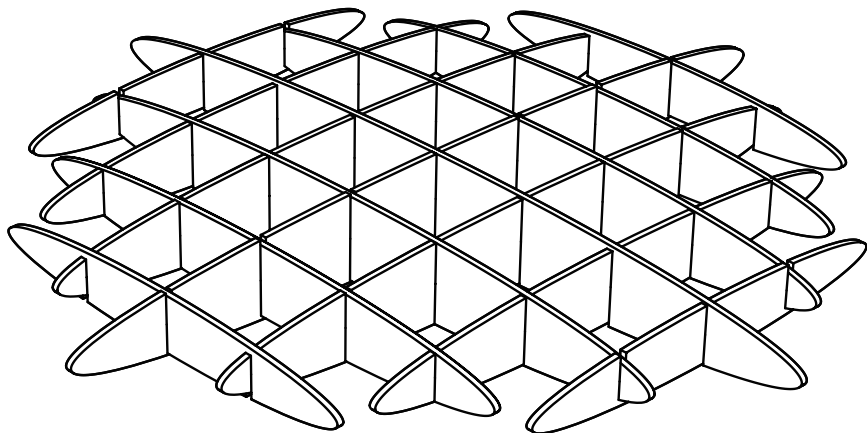
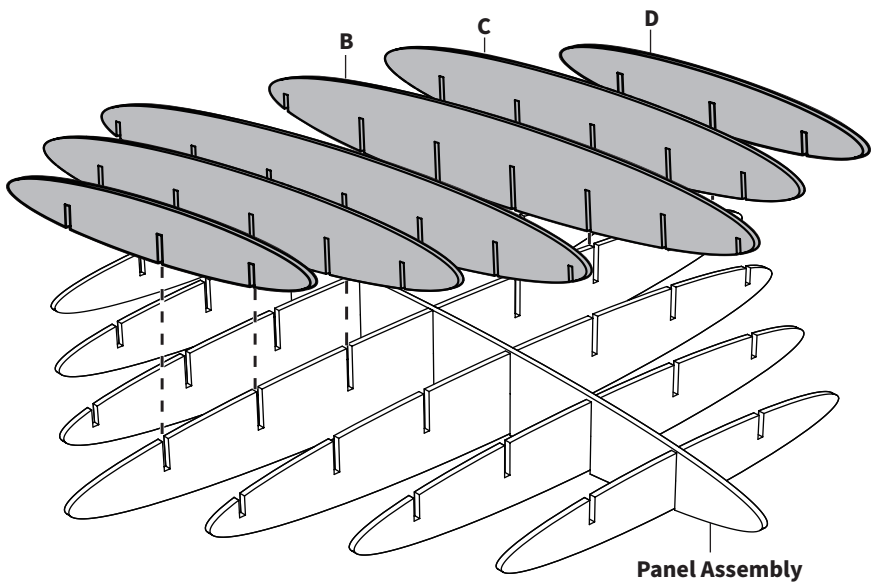
STEP 3

Insert each pair of panels from **Group #1** into one side of the **XL Panel Assembly** as shown.



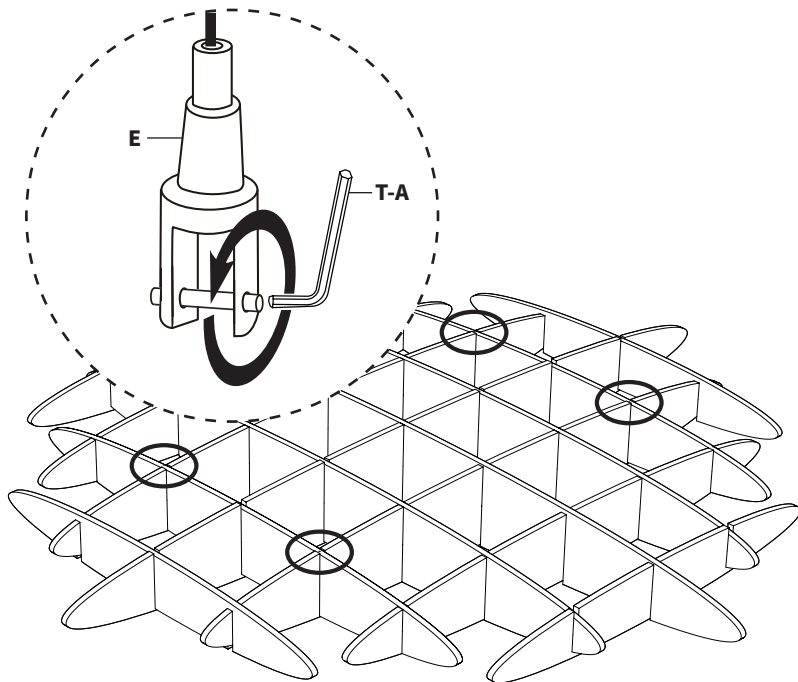
STEP 4

Insert each pair of panels from **Group #2** into the other side of the **Panel Assembly** as shown.

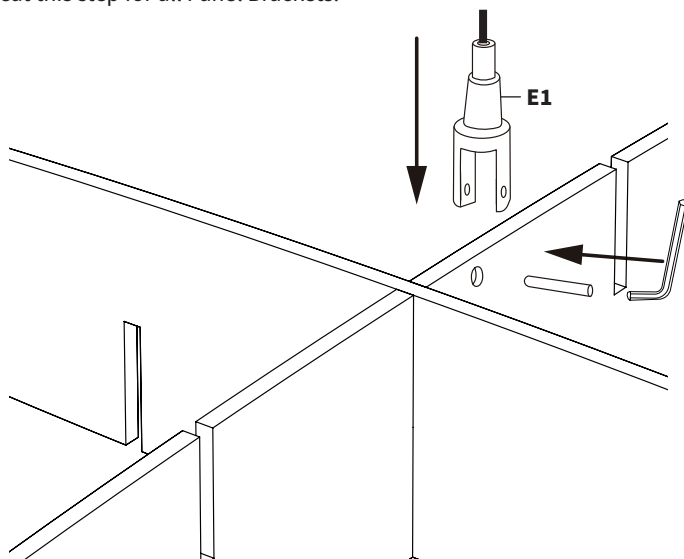


STEP 5

Locate the four holes to install the Cables (**E**) on the waffle panel. Remove the pre-installed pins on the Panel Brackets (**E1**) using 2.5mm Allen Wrench (**T-A**).

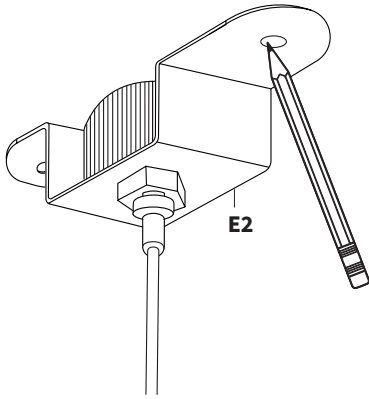


Use the 2.5mm Allen Wrench to thread the Pins through the Panel Brackets (**E1**) and the panels. Repeat this step for all Panel Brackets.



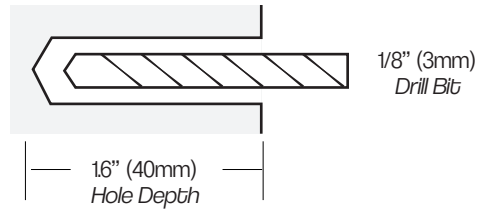
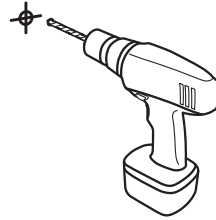
Option 1: Wood Joist Installation

Hold Ceiling Brackets (**E2**) up to the desired mounting locations and mark drilling locations using a Pencil.

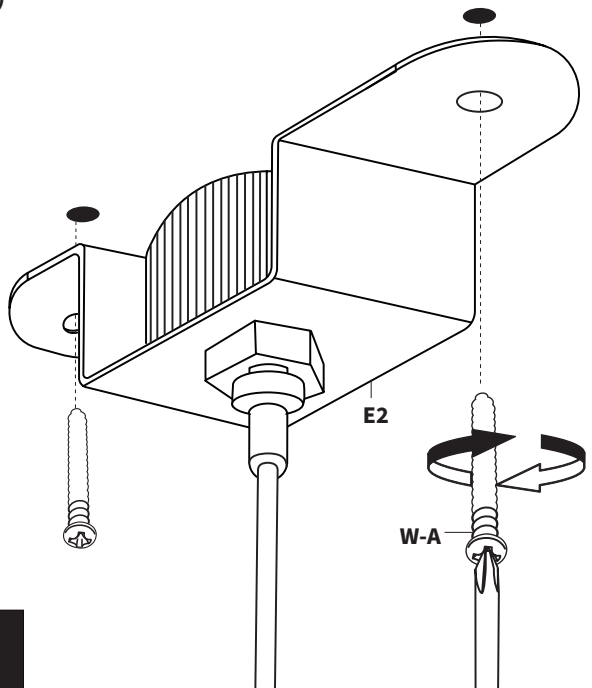


Pre-Drilling Instructions

Drill mounting holes using illustration below.



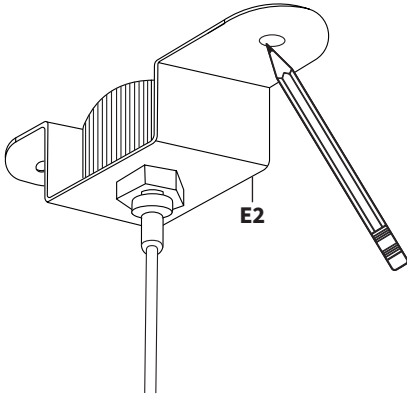
Secure the Ceiling Brackets (**E2**) to the ceiling using ST4x41mm Screws (**W-A**) and a Phillips screwdriver.



Proceed to **STEP 6**
on **Page 11**

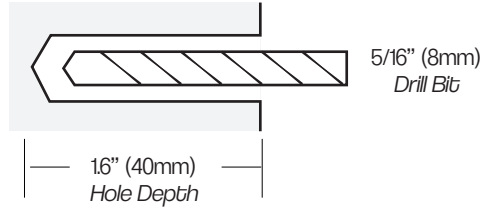
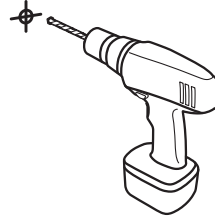
Option 2: Concrete/Brick Installation

Hold Ceiling Brackets (**E2**) up to the desired mounting locations and mark drilling locations using a Pencil.

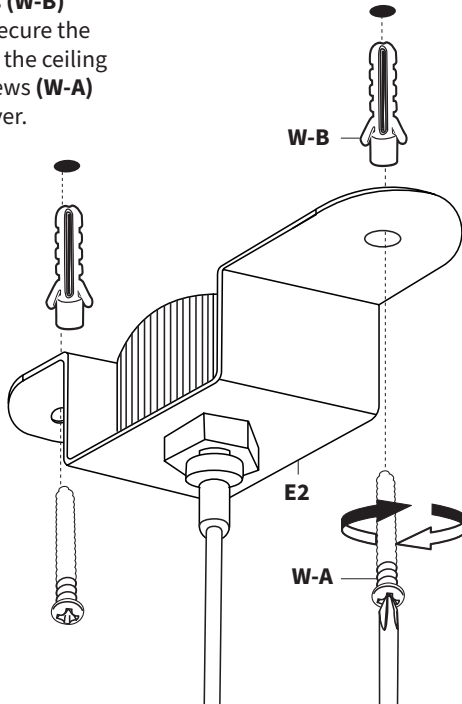


Pre-Drilling Instructions

Drill mounting holes using illustration below.

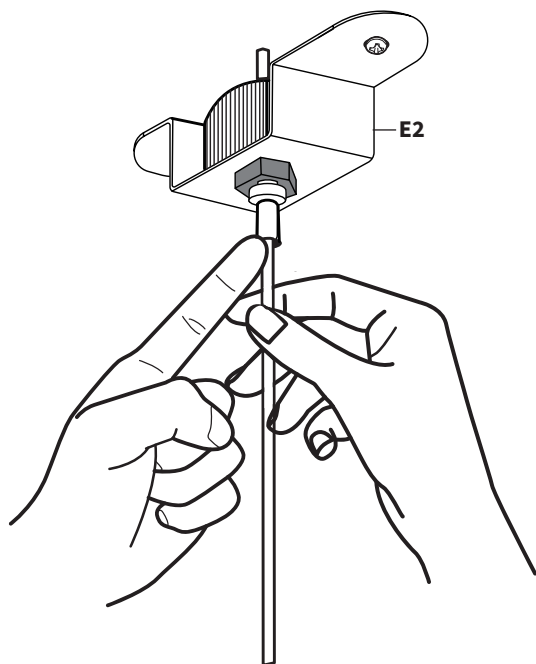


Press Concrete Anchors (**W-B**) into the drilled holes. Secure the Ceiling Brackets (**E2**) to the ceiling using ST3.8x47mm Screws (**W-A**) and a Phillips screwdriver.

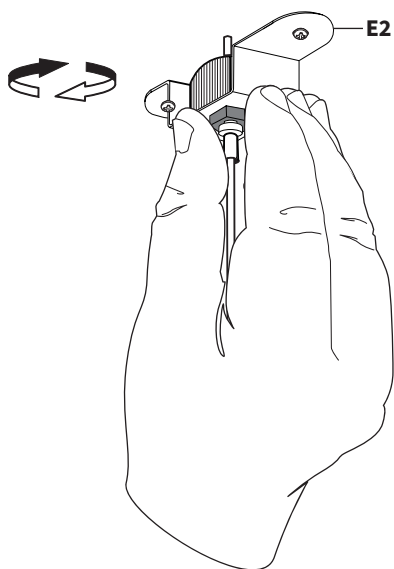


STEP 6

Press the spring-loaded barrel on Ceiling Bracket (**E2**) in and adjust the cable lengths according to your desired height.



Hand tighten the nut on Ceiling Brackets (**E2**).



LAST UPDATED: 10/22/24

REV2

v1.0



Need Help? Get In Touch

Monday-Friday from 7:00am-7:00pm CST



help@vivo-us.com



www.vivo-us.com

Chat live with an agent!



309-278-5303



VIVO-us @vivo_us

FOR MORE GREAT VIVO PRODUCTS,
CHECK OUT OUR WEBSITE AT: WWW.VIVO-US.COM