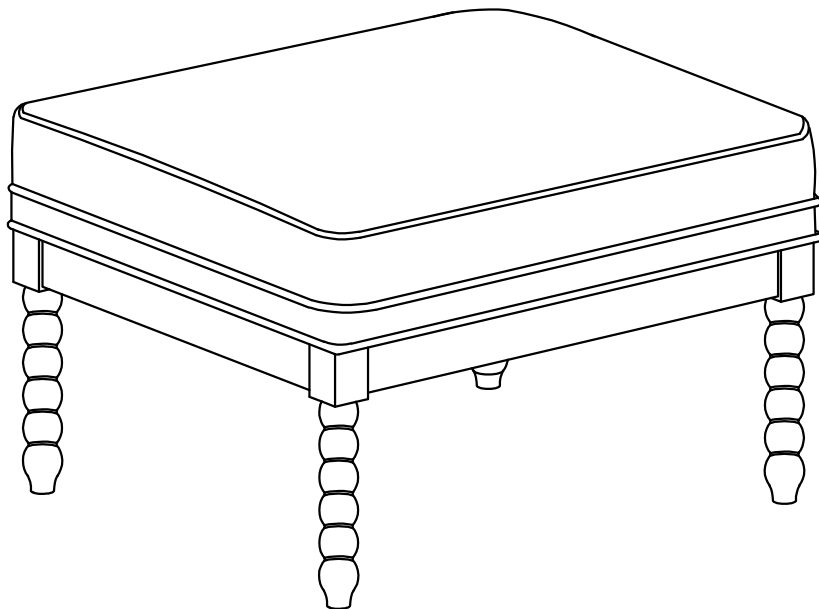


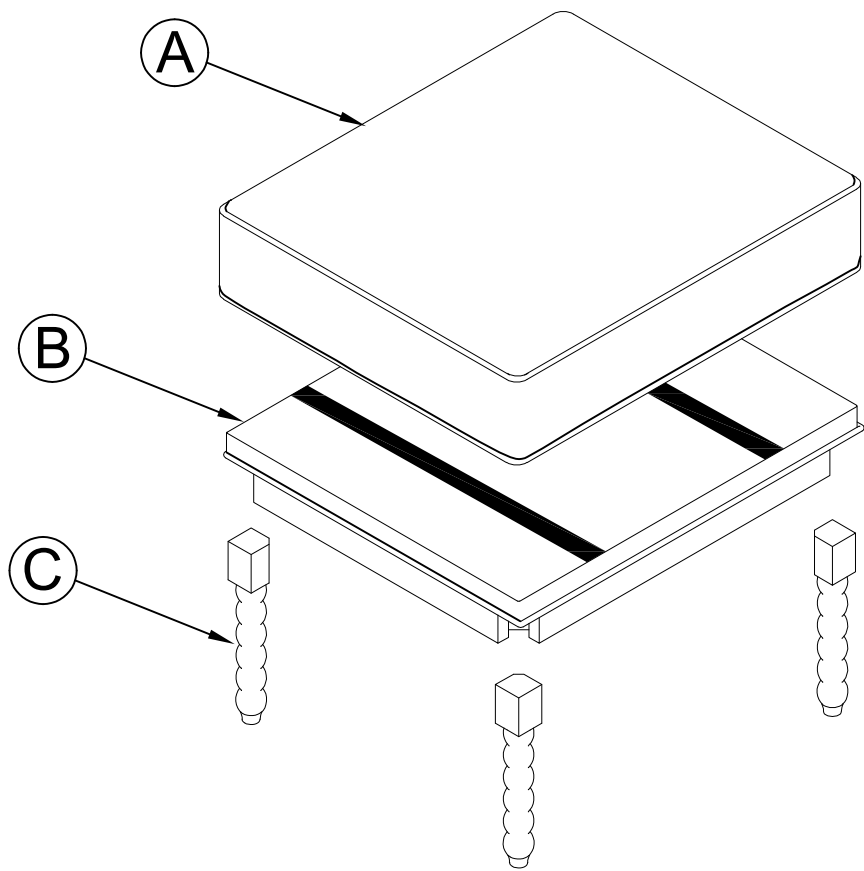
# ASSEMBLY INSTRUCTIONS

ITEM NO. ARM CHAIR WF301170



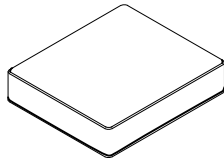
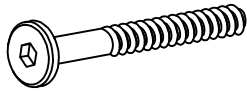
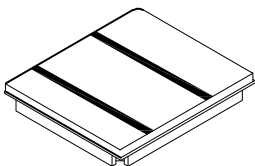

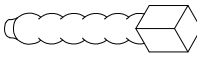

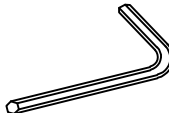
**IMPORTANT NOTE:**

- ① PLACE ALL PARTS ON A CLEAN AND SMOOTH SURFACE SUCH AS A RUG OR CARPET TO AVOID THE PARTS FROM BEING SCRATCHED.
- ② BEFORE YOU BEGIN, KINDLY FOLLOW THE ASSEMBLY INSTRUCTIONS STEP BY STEP.
- ③ DO NOT TIGHTEN ALL SCREWS AND BOLTS UNTIL THE CHAIR IS FULLY SET-UP.

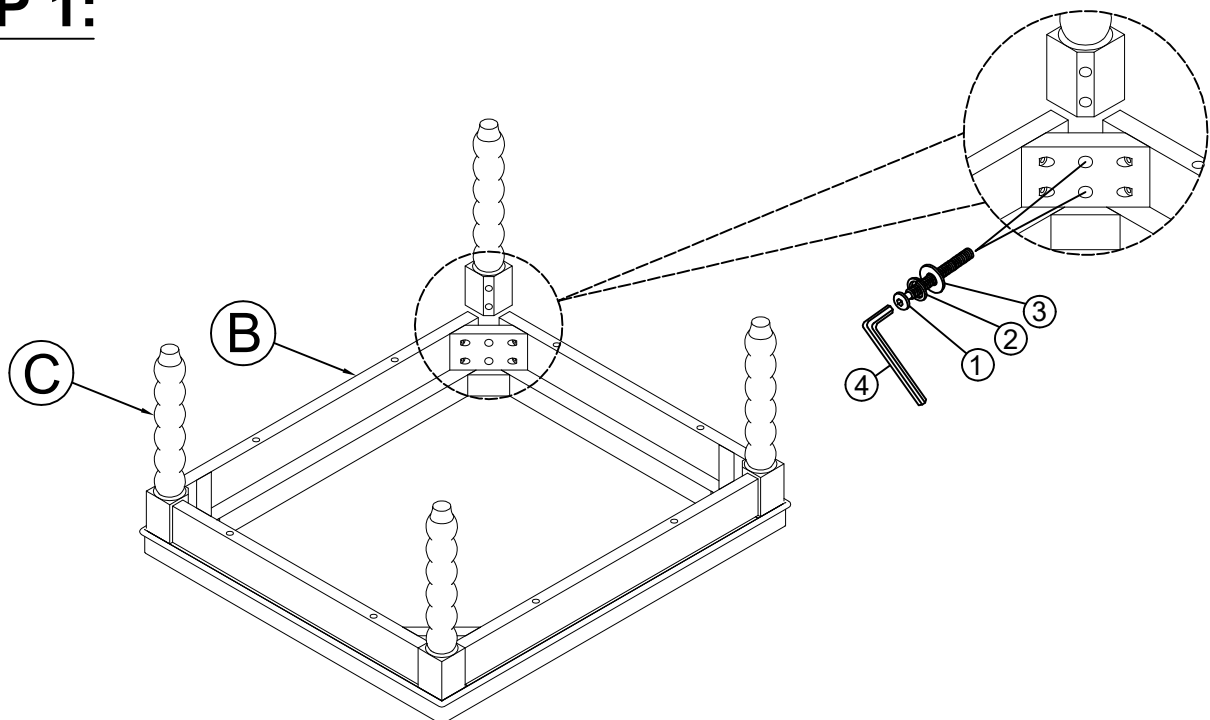


# Part List

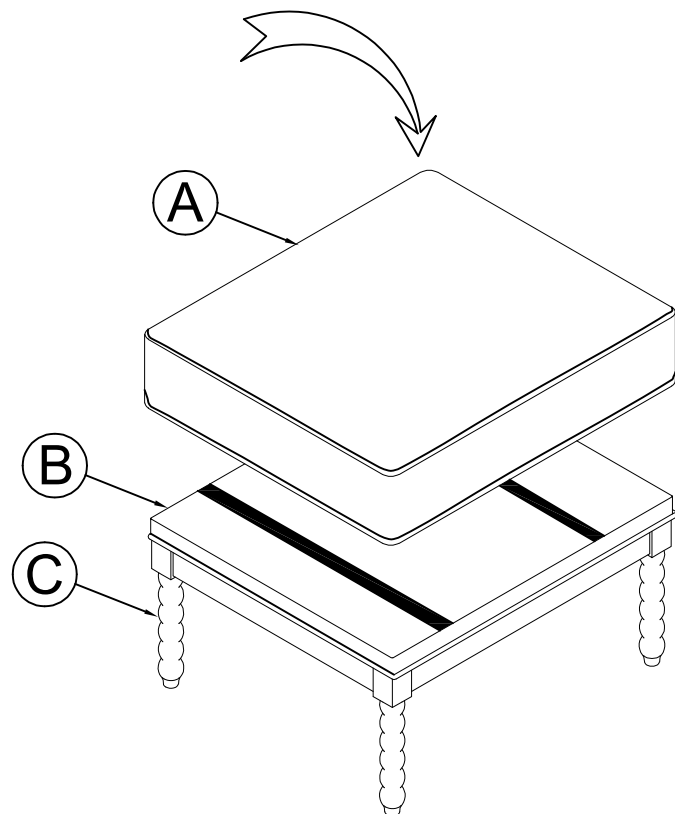
# Hardware List

<p>(A)</p>  <p>SEAT CUSHION (1 PC)</p>	<p>(1)</p>  <p>Ø 5/16" x 50mm BOLT ( 3 pcs)</p>
<p>(B)</p>  <p>SEAT FRAME (1 PC)</p>	<p>(2)</p>  <p>Ø 5/16" x 13mm FLAT WASHER ( 3 pcs)</p>
<p>(C)</p>  <p>LEGS (4 PCS)</p>	<p>(3)</p>  <p>Ø 5/16" x 19mm LOCK WASHER ( 3 pcs)</p>
	<p>(4)</p>  <p>4mm ALLEN KEY ( 1 pc)</p>

## STEP 1:



**STEP 2:**



**COMPLETED :**

