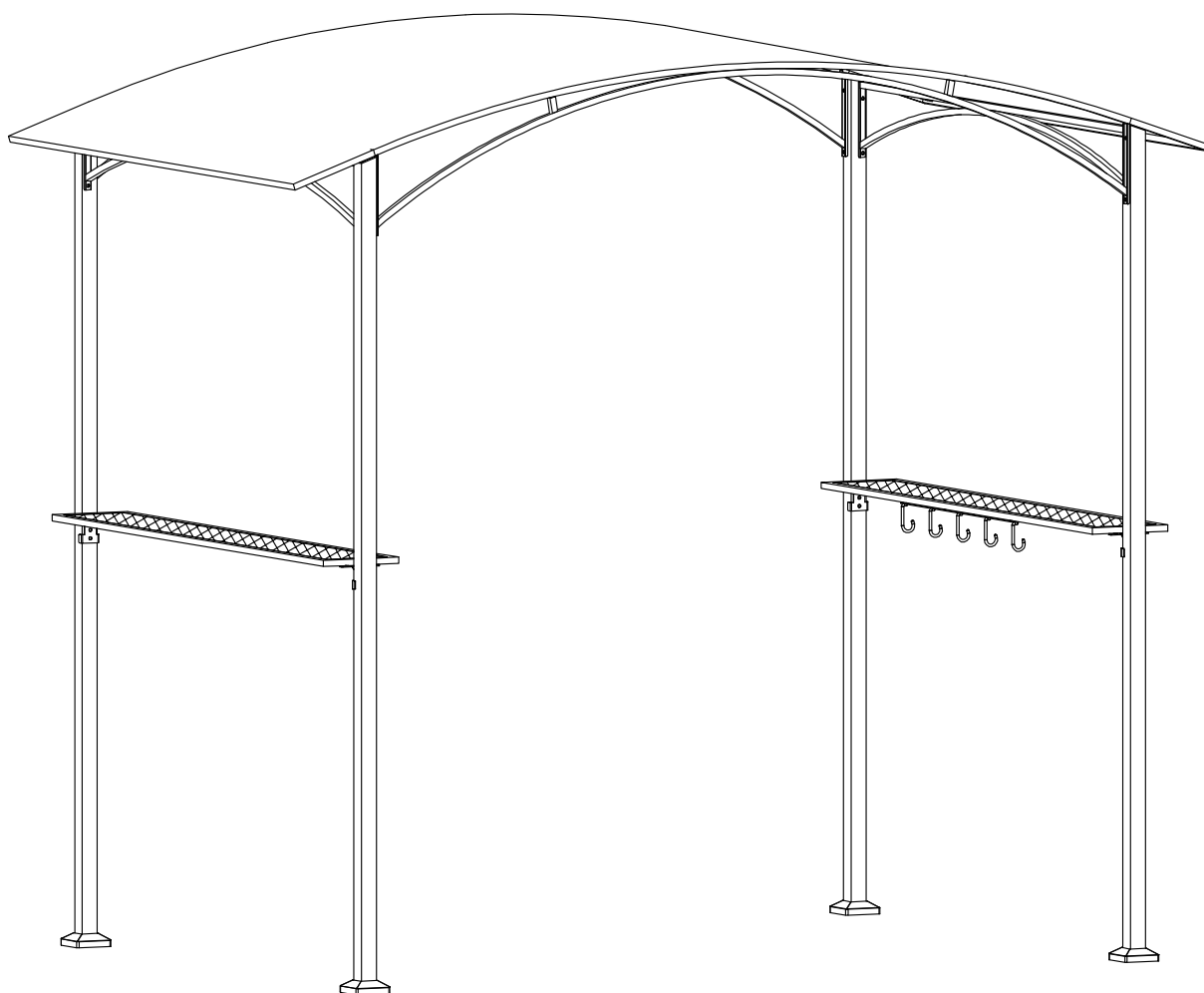


8x5 Canopy BBQ Gazebo

If you have any questions about the 8x5 Canopy BBQ Gazebo, please feel free to contact us.



85Gazebo25-CY-SAND

IMPORTANT

PLEASE READ BEFORE YOU COMMENCE ASSEMBLY

Follow the guidelines in this user guide to ensure correct assembly and care for this product.

Catalog

Specifications..... 02

Notice And Warning 03

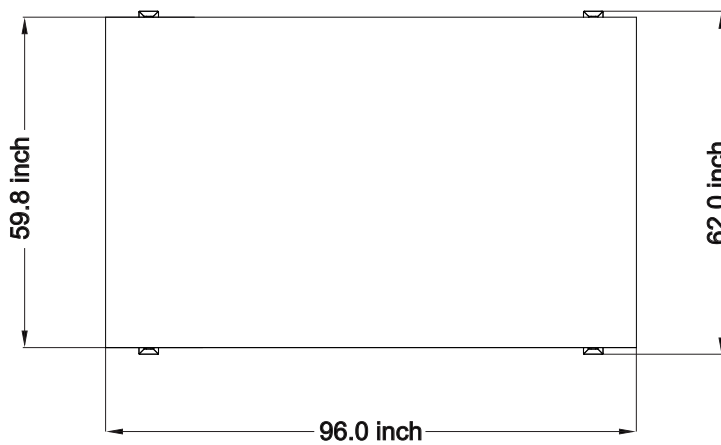
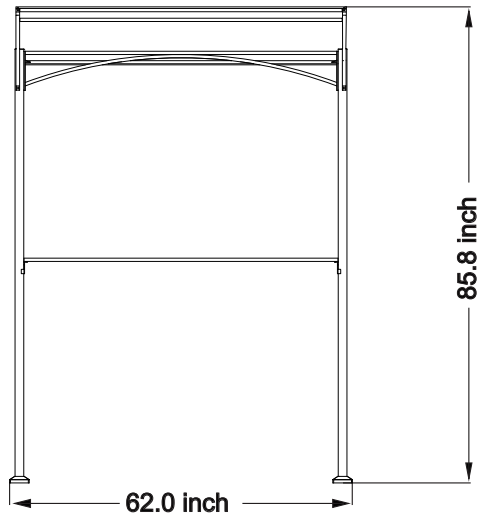
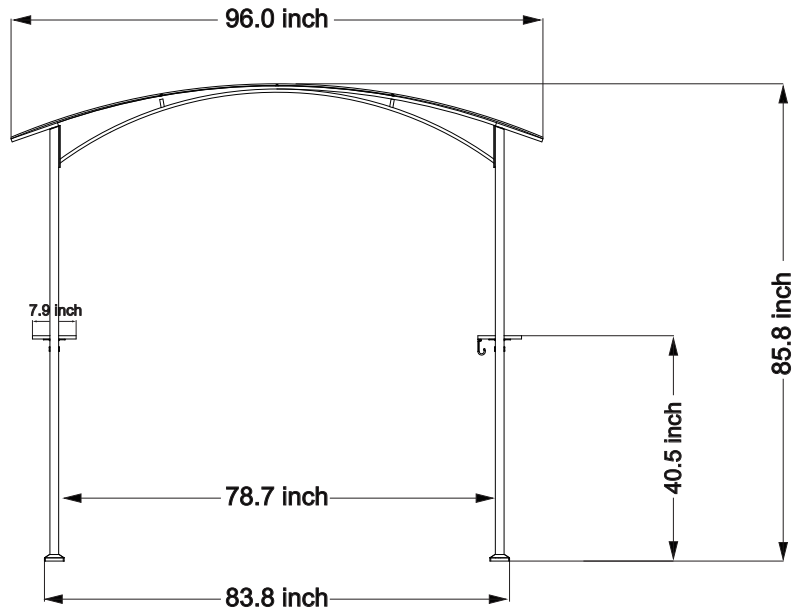
Exploded Views 05

Parts List..... 06

Screw List..... 06

How to Assemble Gazbo..... 07

SPECIFICATIONS



NOTICE 

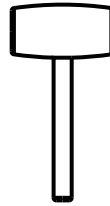
Note: The gazebo needs to be installed in cooperation with two people. The following tools are not included and needed for assembly:



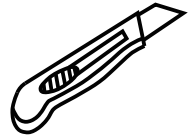
Pistol Drill



Tape Measure



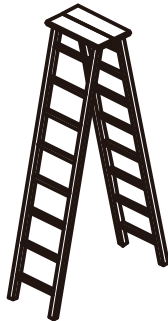
Rubber Hammer



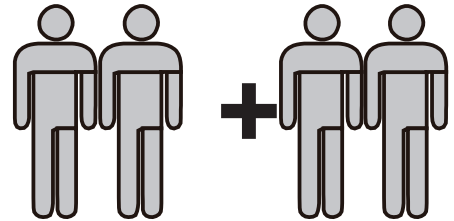
knife



Screw Driver



2 m Adjustable Ladder



2-4 people

Warning

1. This pavilion requires the cooperation of 2-4 people.
2. Please take appropriate actions as heavy rain, wind and snow can damage the gazebo. If necessary please disassemble and store it for later use.

PLEASE RETAIN THESE INSTRUCTIONS FOR FUTURE REFERENCE.**Dear Customer,****Thank you for shopping from us!**

When you receive the product, please make sure that all the parts are intact. Then please browse the entire installation manual before assembling.

If any problem occurs unsatisfactorily as follows :

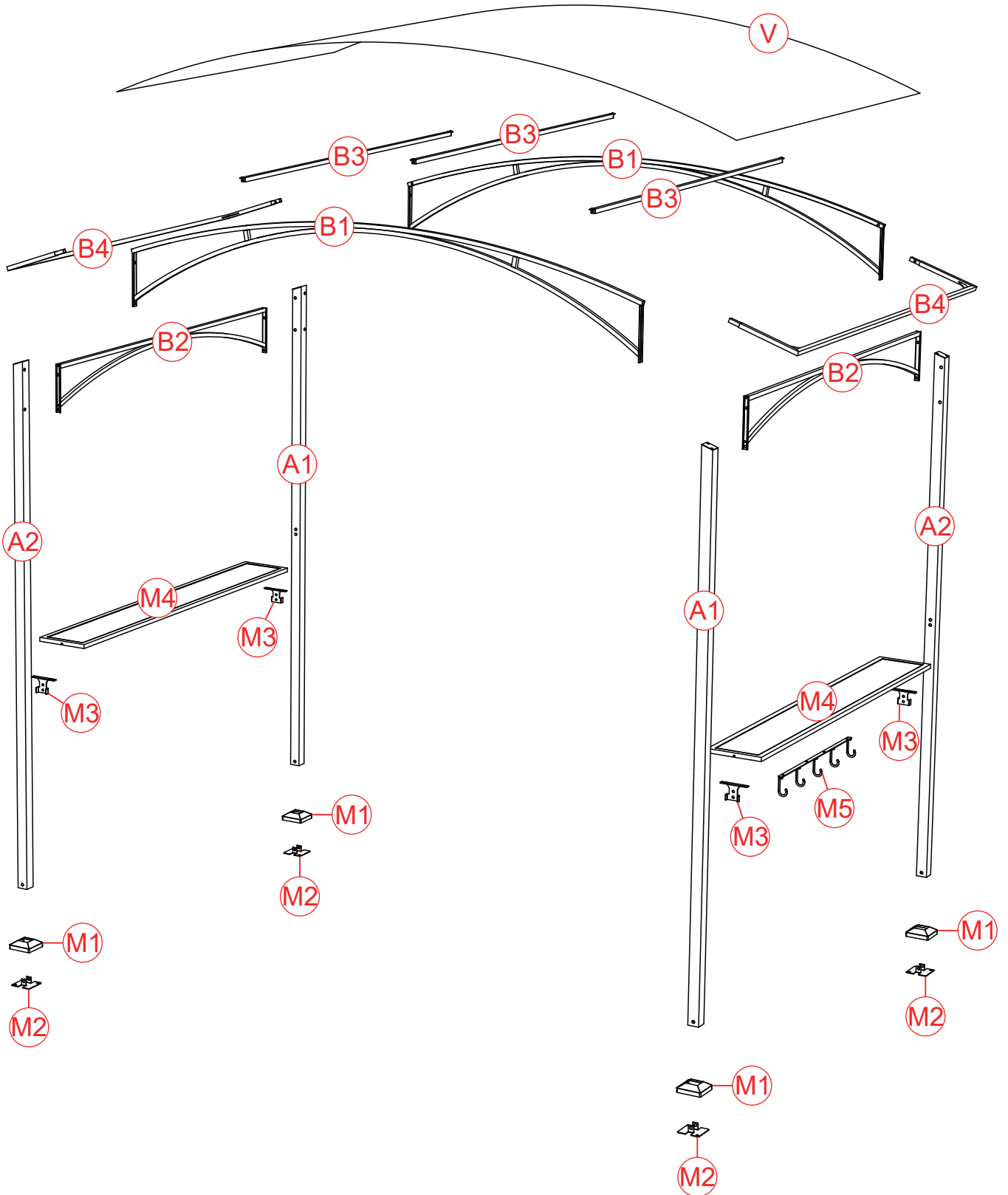
- A.The outer box is damaged
- B.The product is damaged / bent / cracked while you open the box
- C.The parts / accessories / assembly tools are missing
- D.The product is hard to assemble
- E. The instructions are not clear and can not be referred
- F.The product has functional problems
- G.Other aspects that you are not satisfied with

Please feel free to contact us for help.

Attention:

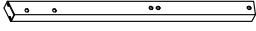
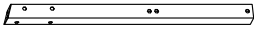


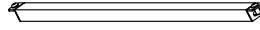



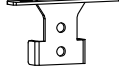
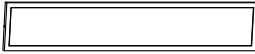
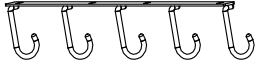

- 1.Please fix all the screws first,do not lock them off,after assembling is fully completed, lock all at once finally.
- 2.Please check the manual carefully and make sure you have received all the parts.
- 3.If there is any missing,please let us know the letter of the parts you need.
- 4.If there is any damage,please send clear photos to us,and we will check and offer you best solution soon.

EXPLODED VIEWS

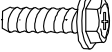
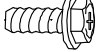




PARTS LIST


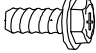
Parts List

(A1)  Column 1 2 PCS	(A2)  Column 2 2 PCS	(B1)  Support Frame 1 2 PCS	(B2)  Support Frame 2 2 PCS	(B3)  Support Frame 3 3 PCS
(B4)  Support Frame 4 2 PCS	(M1)  Spike Cover 4 PCS	(M2)  Spike Connectors 4 PCS	(M3)  Connectors 4 PCS	(M4)  Shelf Board 2 PCS
(M5)  Hook 1 PC	(V)  Tarpaulin 1 PC			

Screw List

(FF)  M6x20 16 PCS	(GG)  M6x15 28 PCS	(PP)  D6x230 8 PCS	(Z1)  M6 2 PCS	
---	---	---	--	--

Extra

(FF)  M6x20 1 PCS	(GG)  M6x15 2 PCS			
--	--	--	--	--

STEP 1

Slide the ground spike cover(M1) into the column(A1) as shown, then secure the ground spike connectors(M2) to the column(A1) with screws(GG).



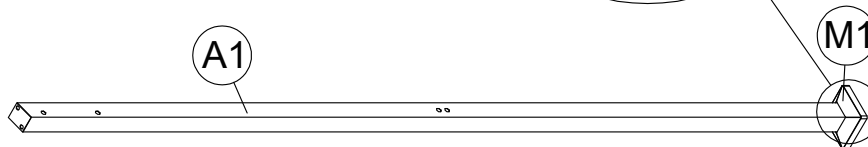
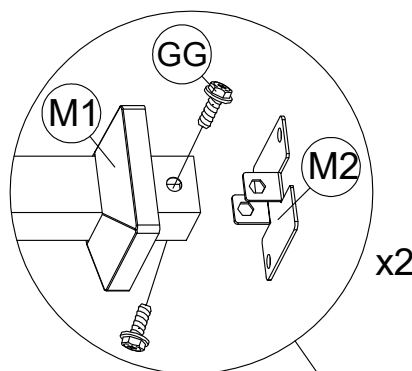
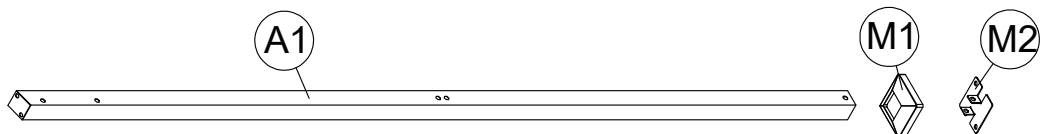
A1 2x



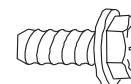
M1 2x



M2 2x



GG x4



M6x15

STEP 2

Slide the ground spike cover(M1) into the column(A2) as shown, then secure the ground spike connectors(M2) to the column(A2) with screws(GG).



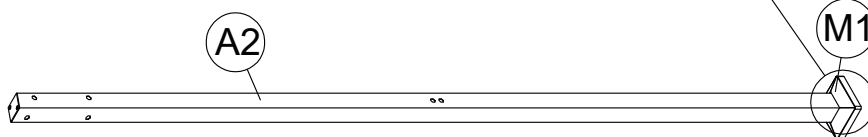
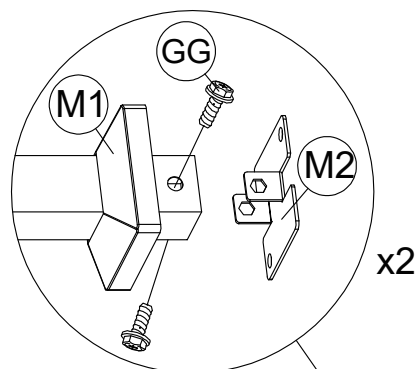
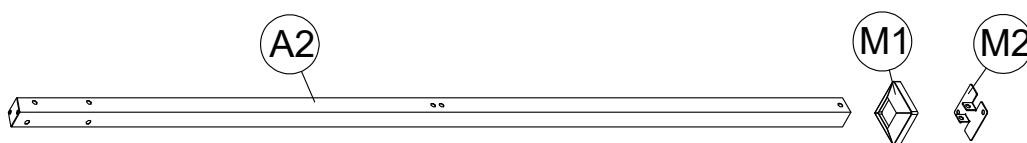
(A2) 2x



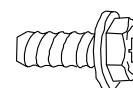
(M1) 2x



(M2) 2x



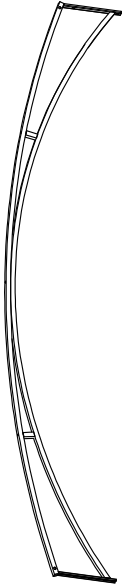
(GG) x4



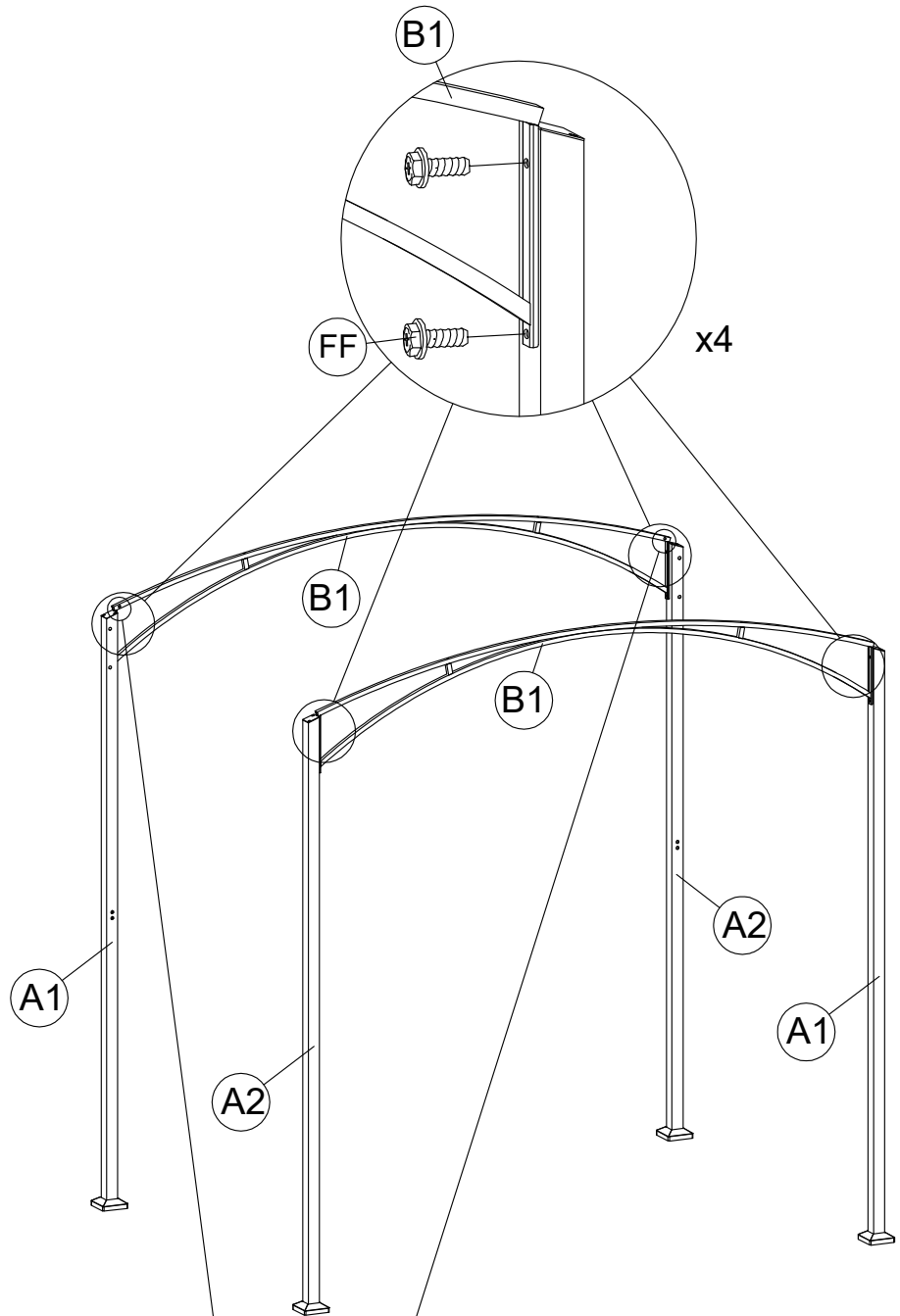
M6x15

STEP 3

Attach the support frame 1(B1) to the column(A1 and A2) with screws(FF) as shown.

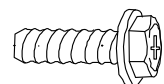


B1 2x



Hole on the inside

FF x8



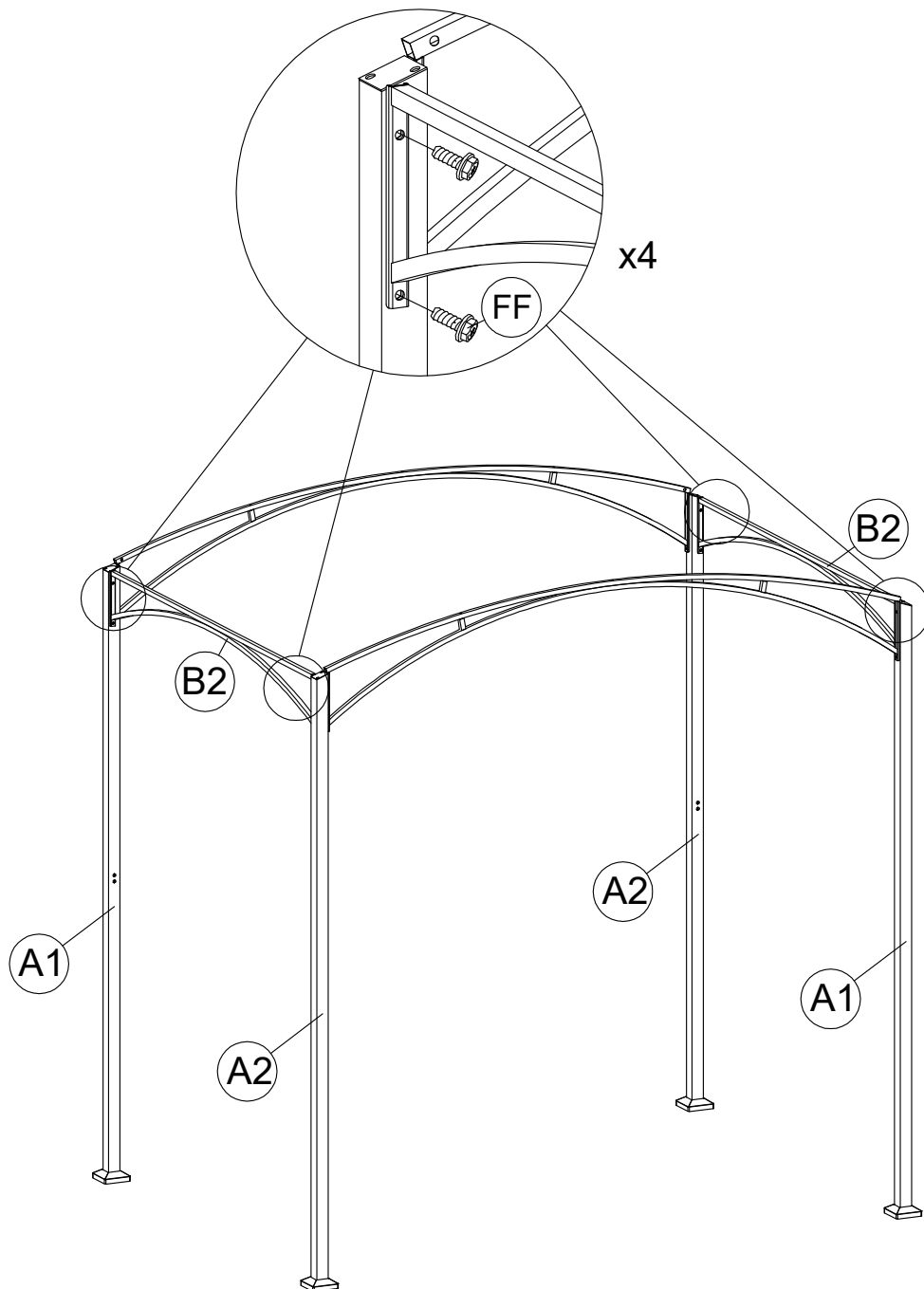
M6x20

STEP 4

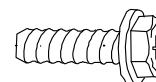
Attach the support frame 2(B2) to the column(A1 and A2) with screws(FF) as shown.



B2 2x



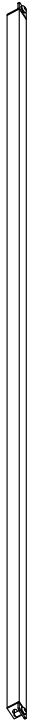
FF x8



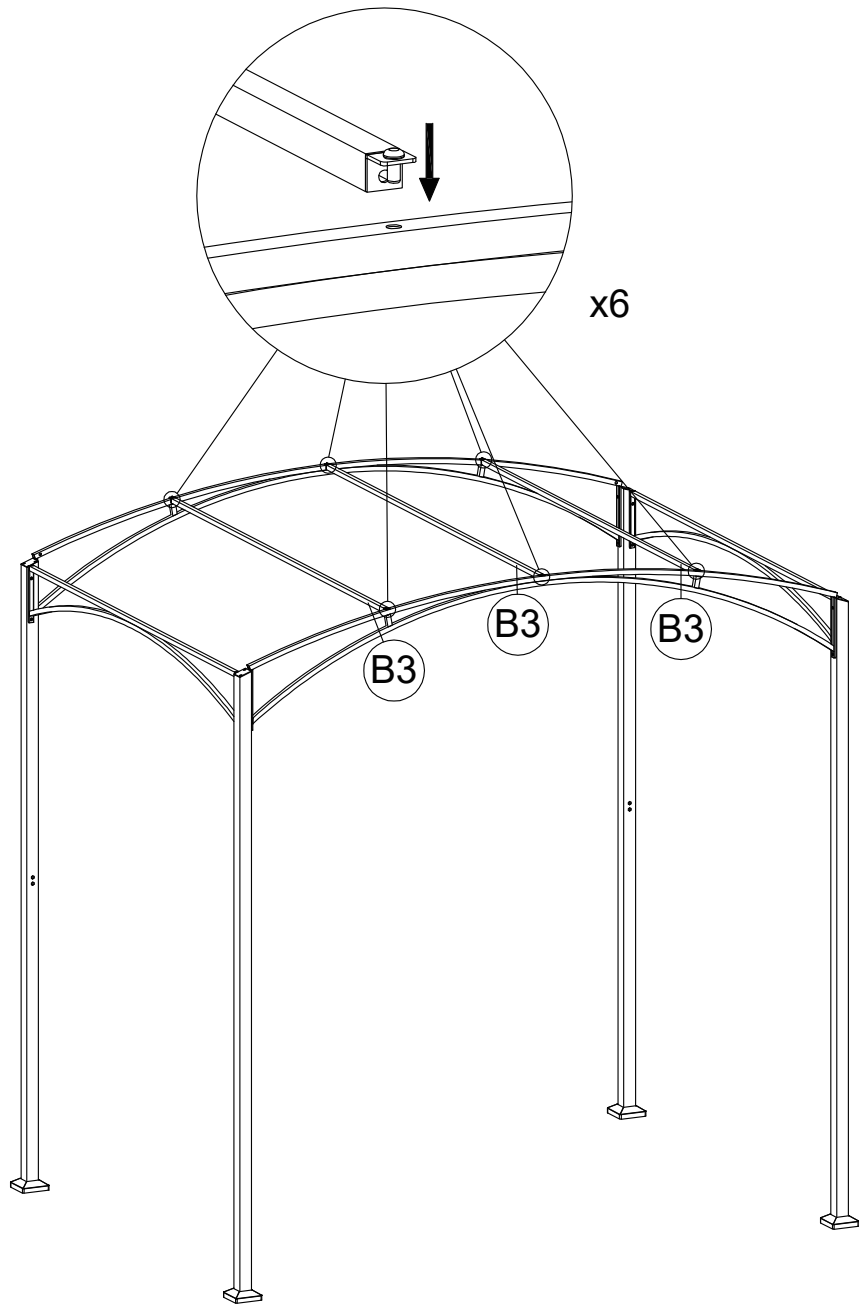
M6x20

STEP 5

The support frame 3(B3) is mounted between the two support frames 1(B1) as shown.

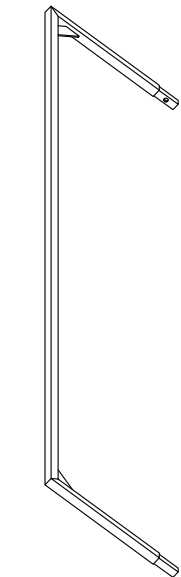


(B3) 3x

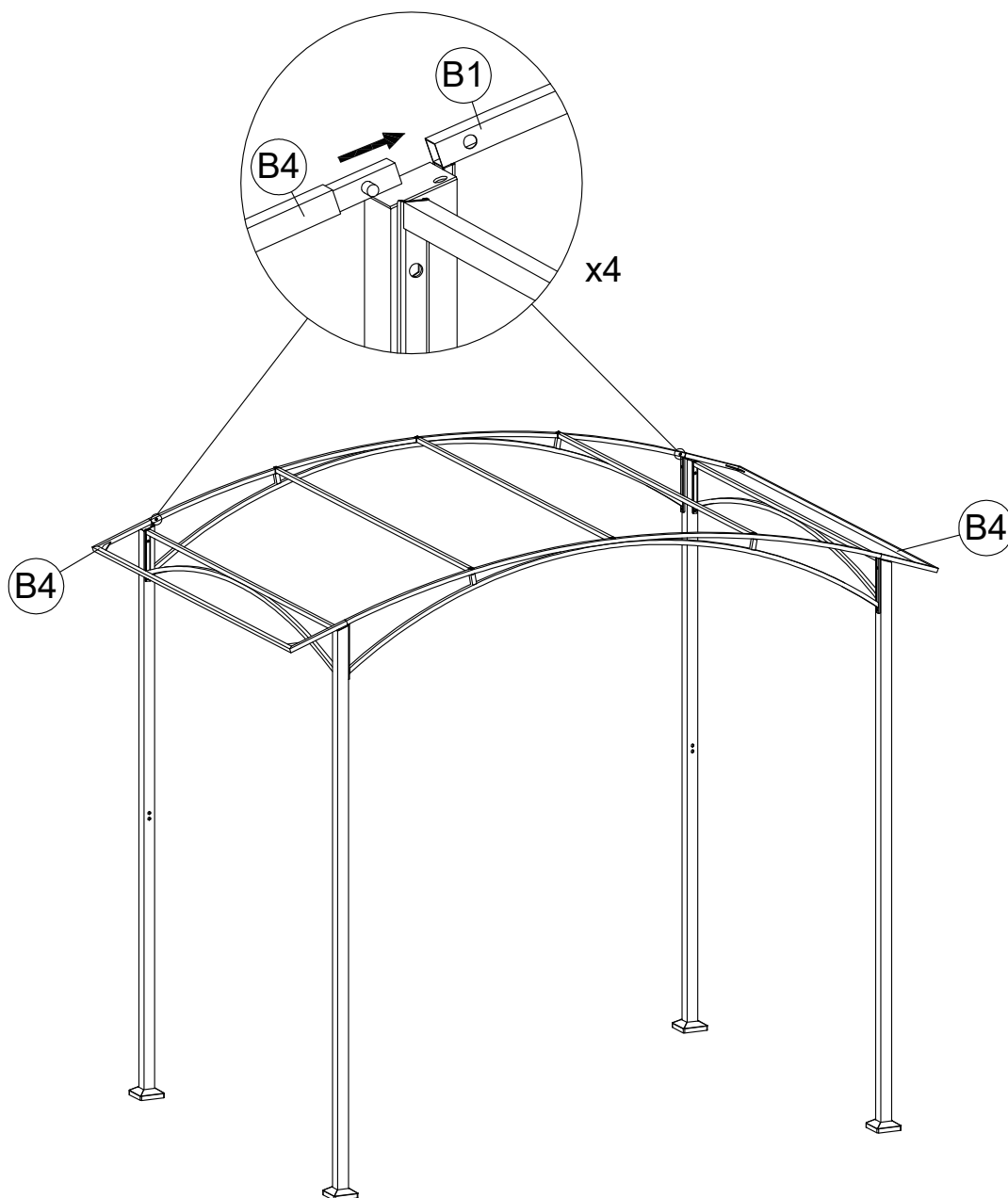


STEP 6

The two end support frames 4(B4) are mounted between the two support frames 1(B1) as shown.
Note: This step is installed with a pop button button.

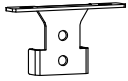


(B4) 2x

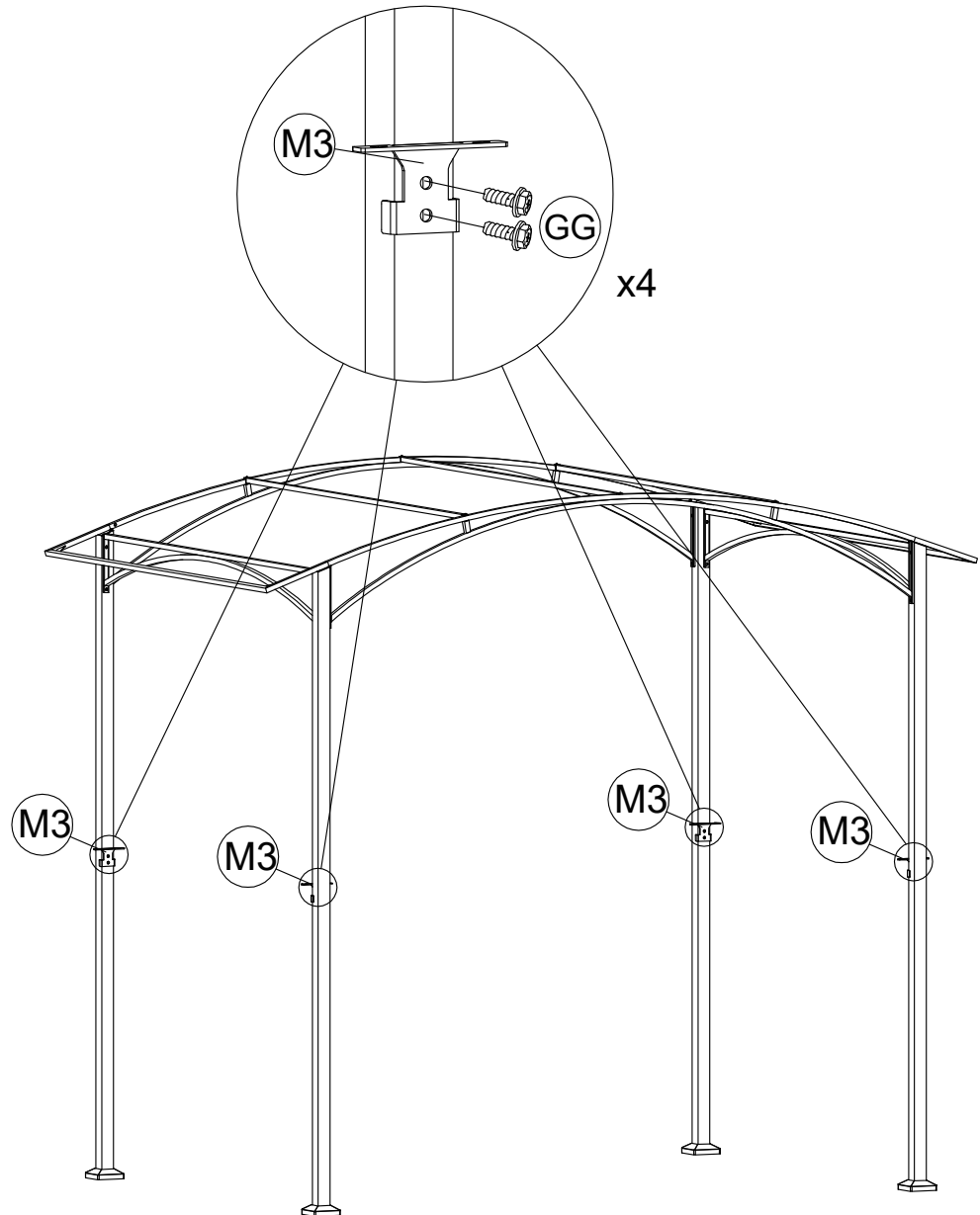


STEP 7

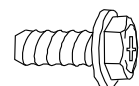
Attach the connecting(M3) to the column(A1 and A2) with screws(GG).



M3 4x



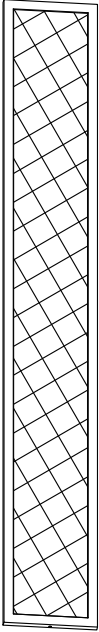
GG x8



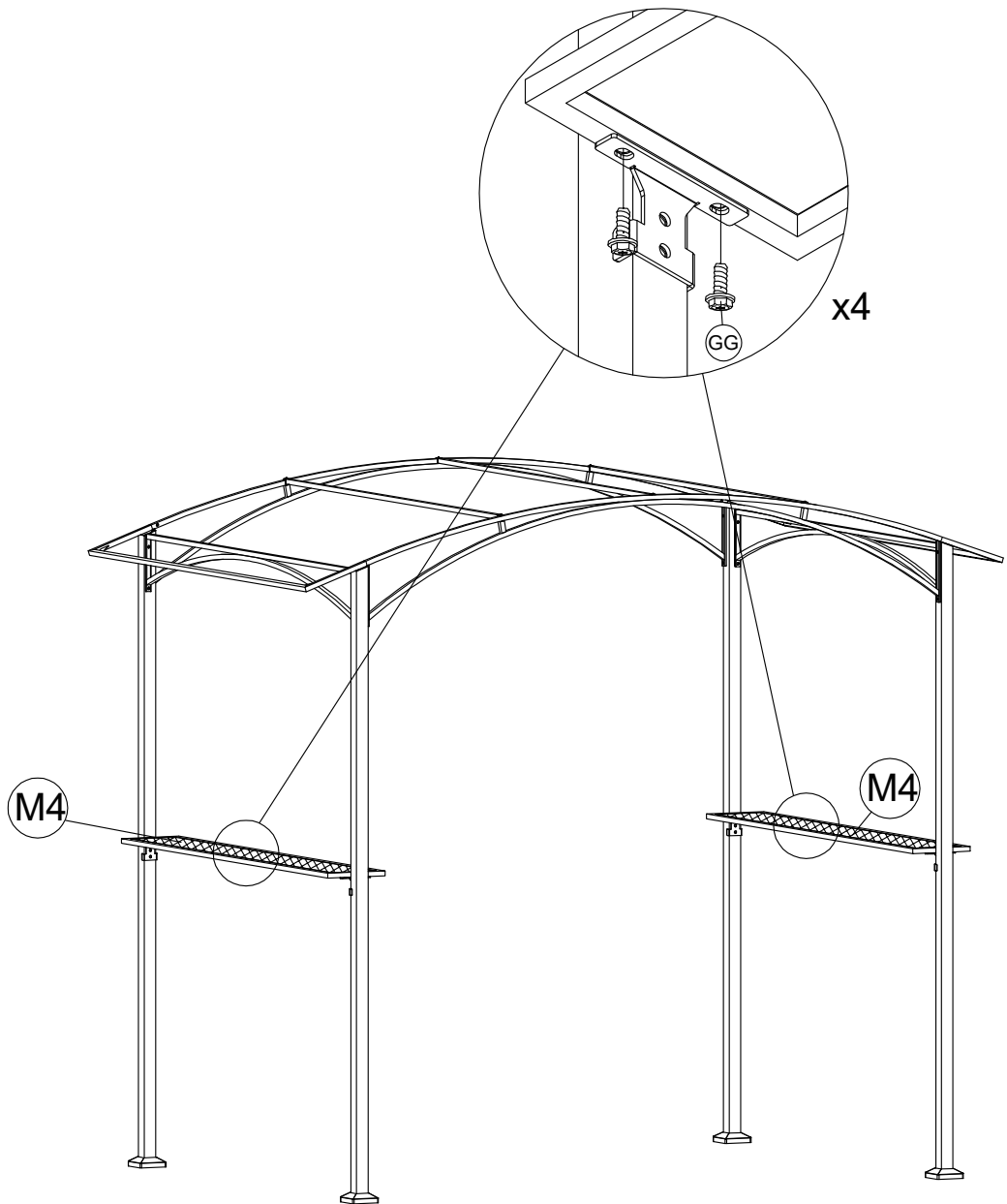
M6x15

STEP 8

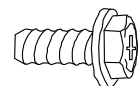
Attach the shelf(M4) to the connector(M3) between the two column(A1 and A2) with screws(GG).



M4 2x



GG x8

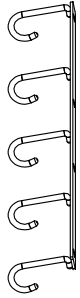


M6×15

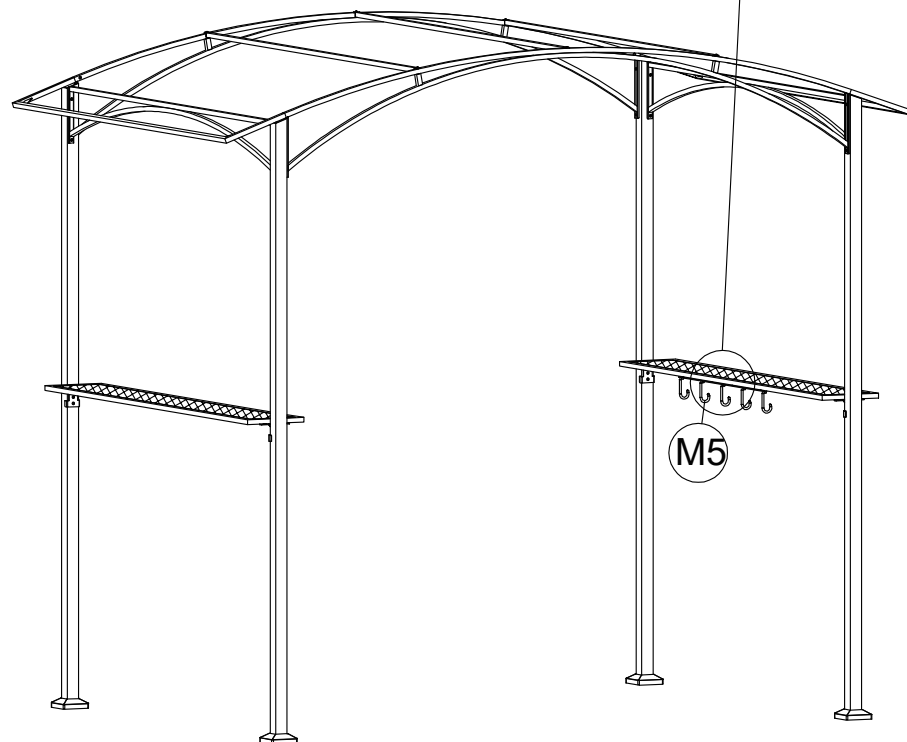
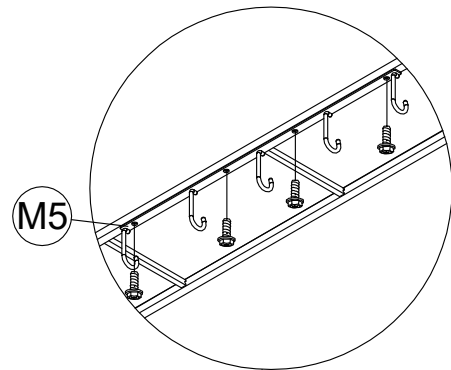
STEP 9

Attach the hooks(M5) to the underside of the shelf(M4) with screws(GG).

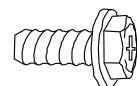
Note: The hooks are oriented towards the outside.



M5 1x



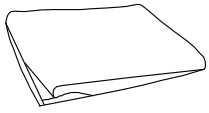
GG x4



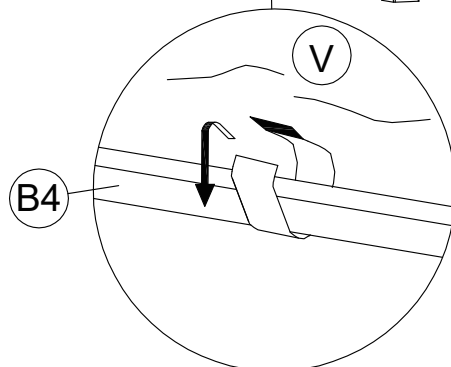
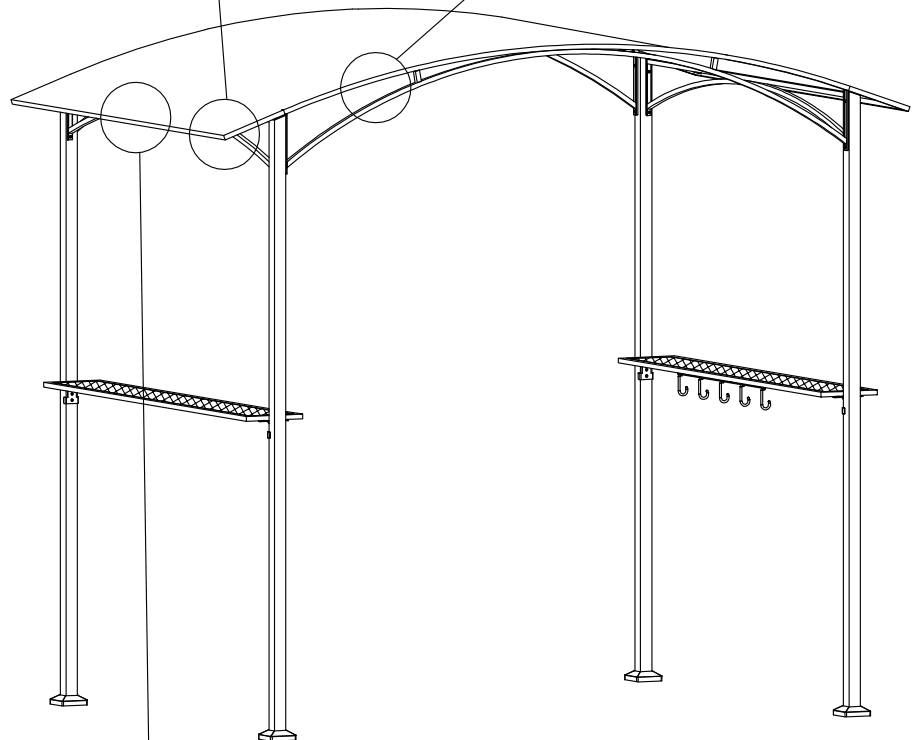
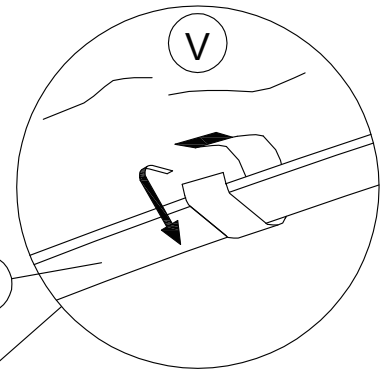
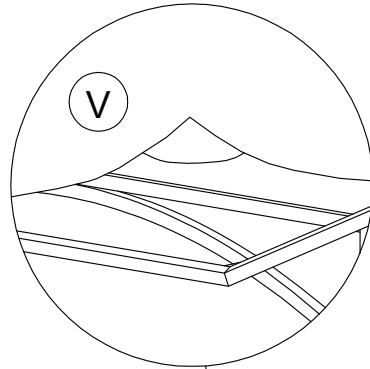
M6×15

STEP 10

Place the shed fabric(V) over the four corners of the top frame while securing the shed fabric with sticky tape.

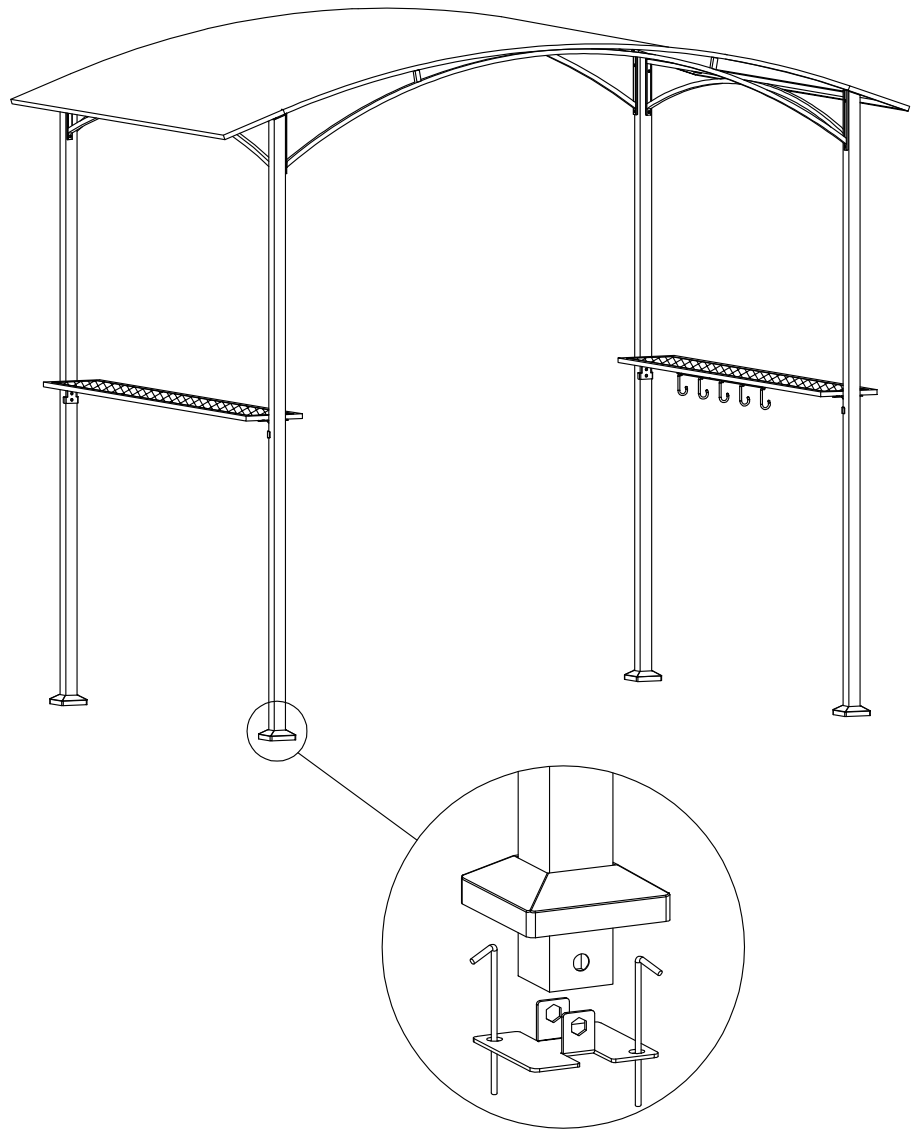


V 1x



STEP 11

Secure the tent to the ground with spike(PP) through the holes in the spike connectors(M2).



PP 8x



D6X230