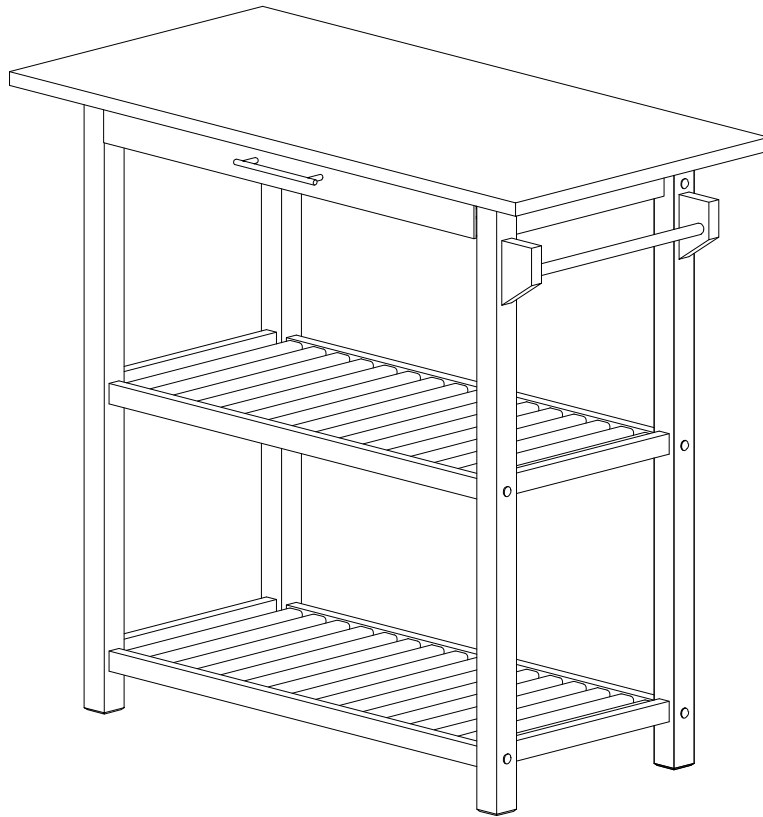


BUTCHER BLOCK KITCHEN ISLAND PREP TABLE







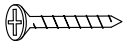




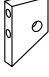


Assembly Instructions

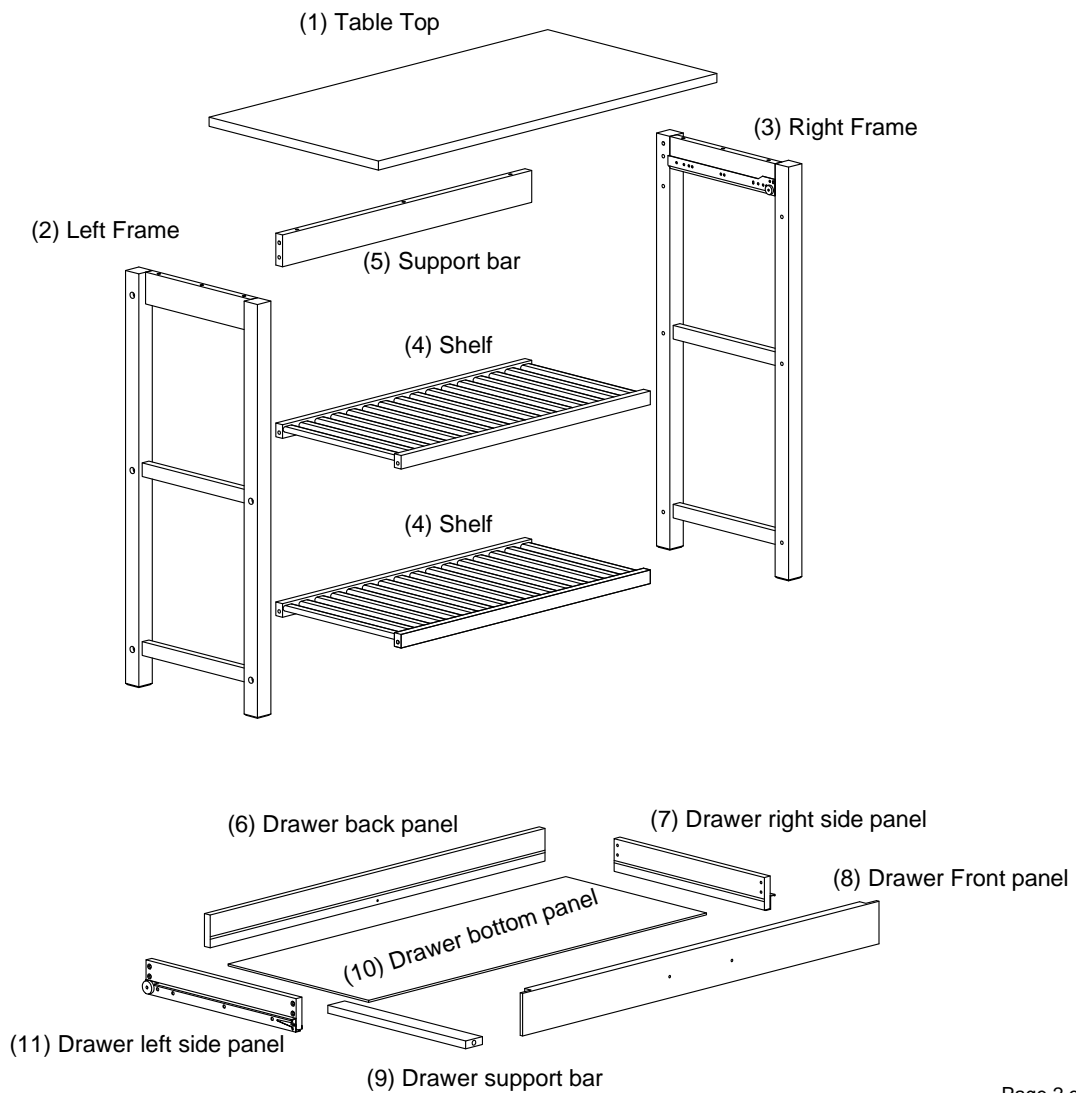
We have designed our furniture with you, the customer in mind. Our clear, easy to follow step by step instructions will guide you through the project from start to finish. Feel confident that this will be a fun and rewarding project. The final product will be a quality piece of furniture that will go together smoothly and give years of enjoyment.

Please verify all parts are present before beginning assembly

Hardware List

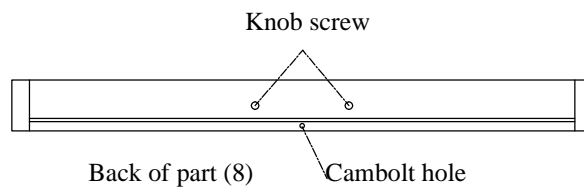
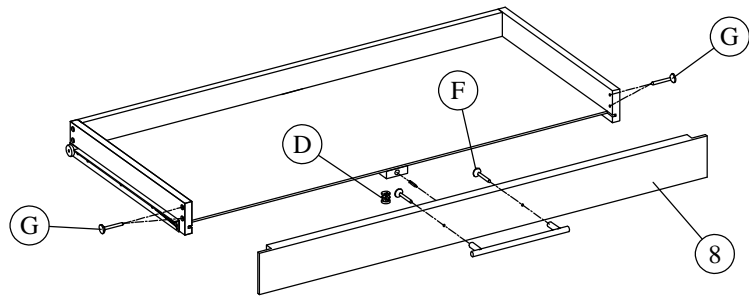
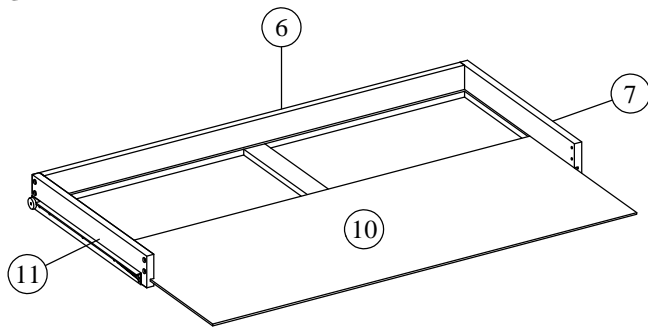
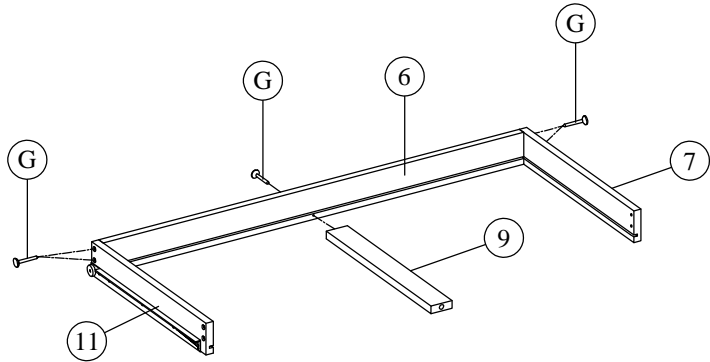
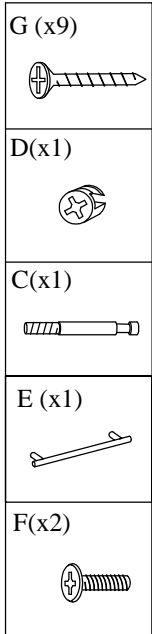
					
Allen Bolt (19 pcs)	Allen Wrench (1 pcs)	Cambolt (1 pcs)	Cam lock (1 pcs)	Handle (1 pcs)	Small Bolt (2 pcs)
					
Large Screws (9 pcs)	Wooden Plugs (12 pcs)	Towel Bar (1 pcs)	Wooden dowels (6 pcs)	Left towel bar mount (1pcs)	Right towel bar mount (1pcs)

Parts List



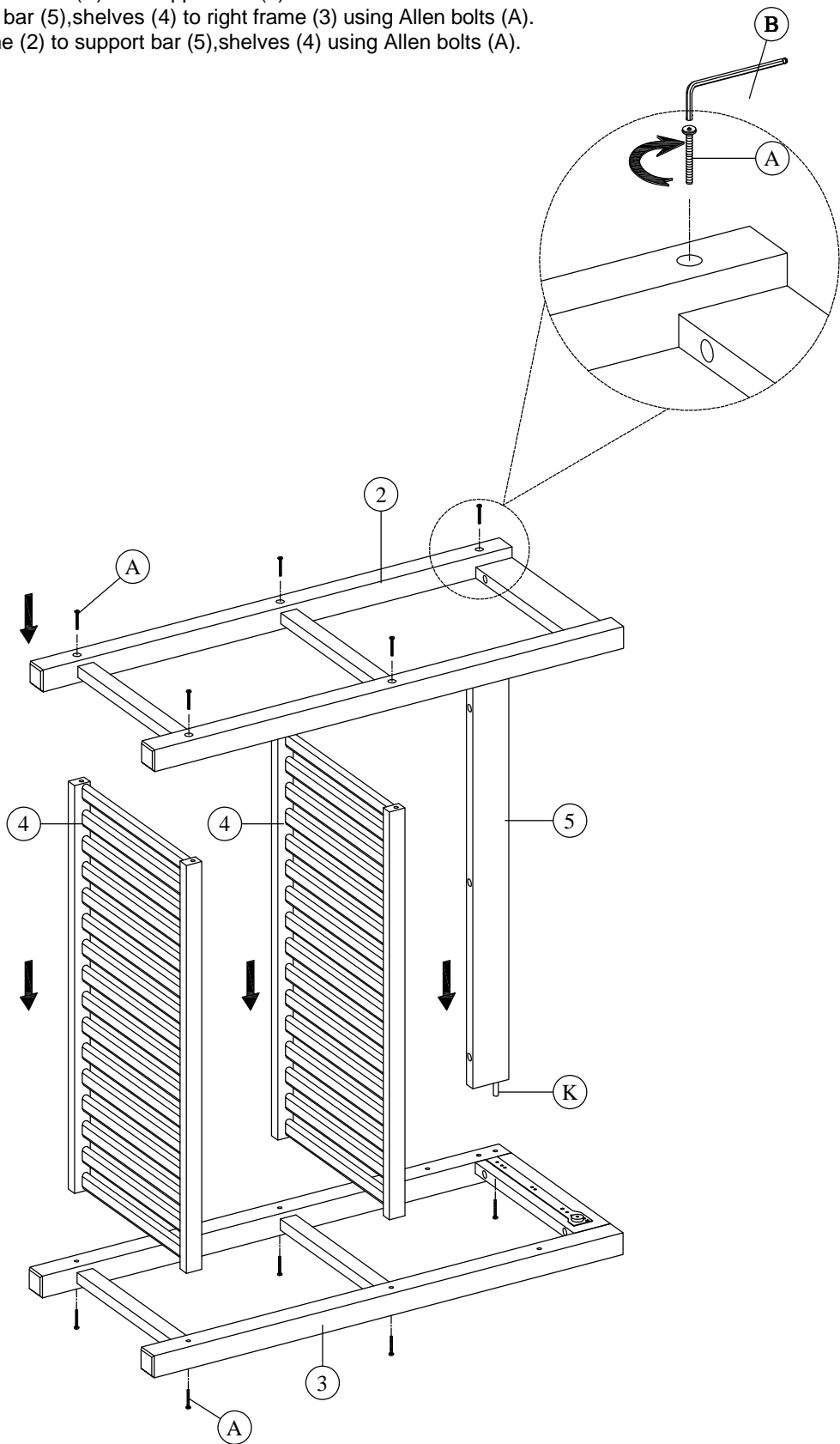
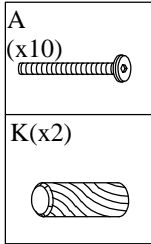
Step 1:

1. Attach the two sides of Drawer, panels (7),(11) and Drawer support bar(9) to drawer back panel (6) using large screws (G).
2. Insert drawer bottom panel (10) into grooves of drawer assembly.
3. Screw cambolt (D) into drawer front.
4. Attach the two sides of Drawer , panels (7) ,(11) to drawer front panel (8) with large screws (G).
5. Attach drawer support bar to front panel with camlock (D) .
6. Attach handle (E) to drawer with small bolts (F).



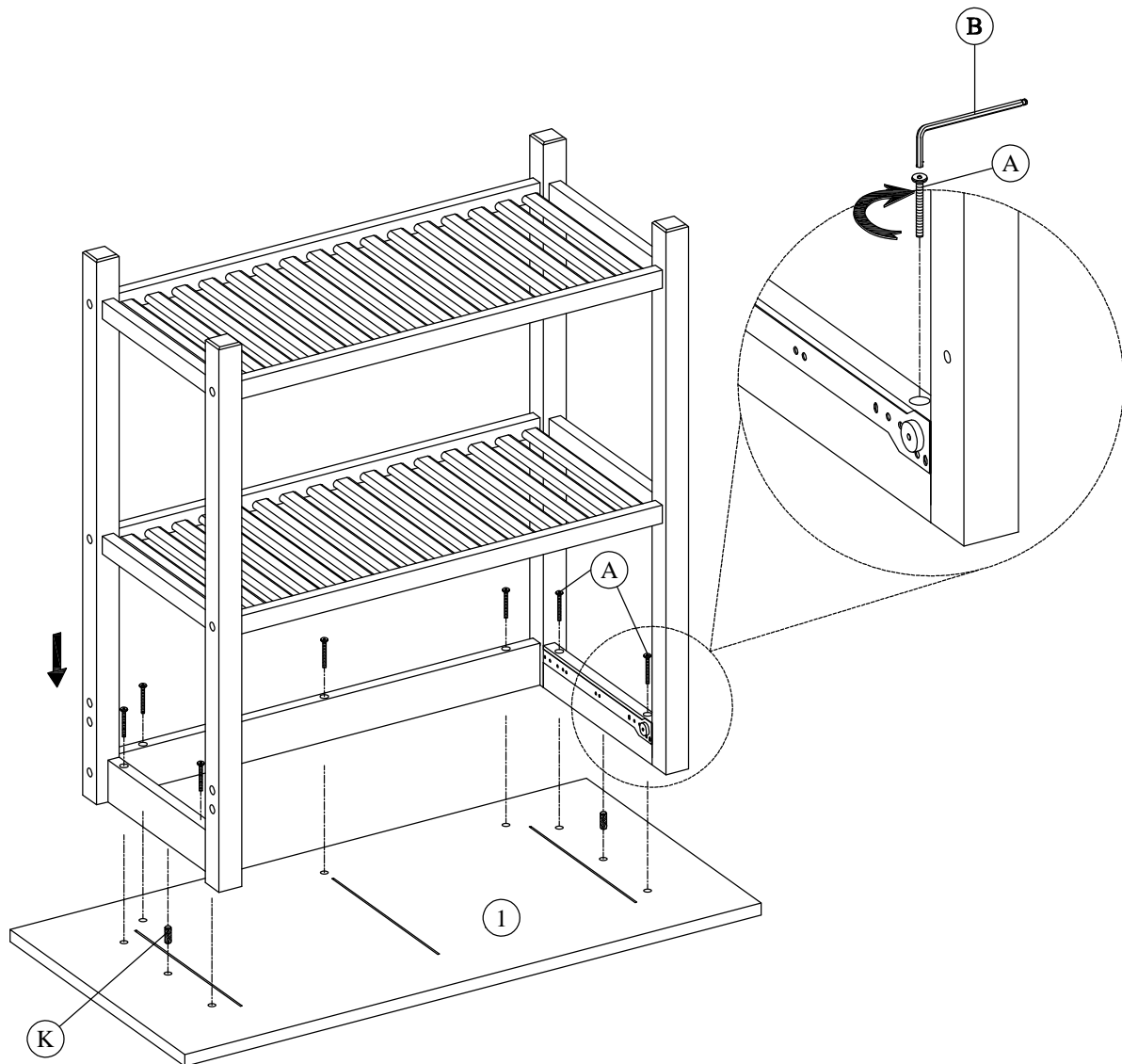
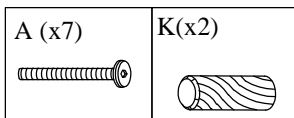
Step 2:

1. Insert Wooden dowels (K) into support bar (5).
2. Attach support bar (5),shelves (4) to right frame (3) using Allen bolts (A).
3. Attach left frame (2) to support bar (5),shelves (4) using Allen bolts (A).




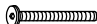
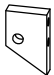

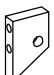

Step 3:

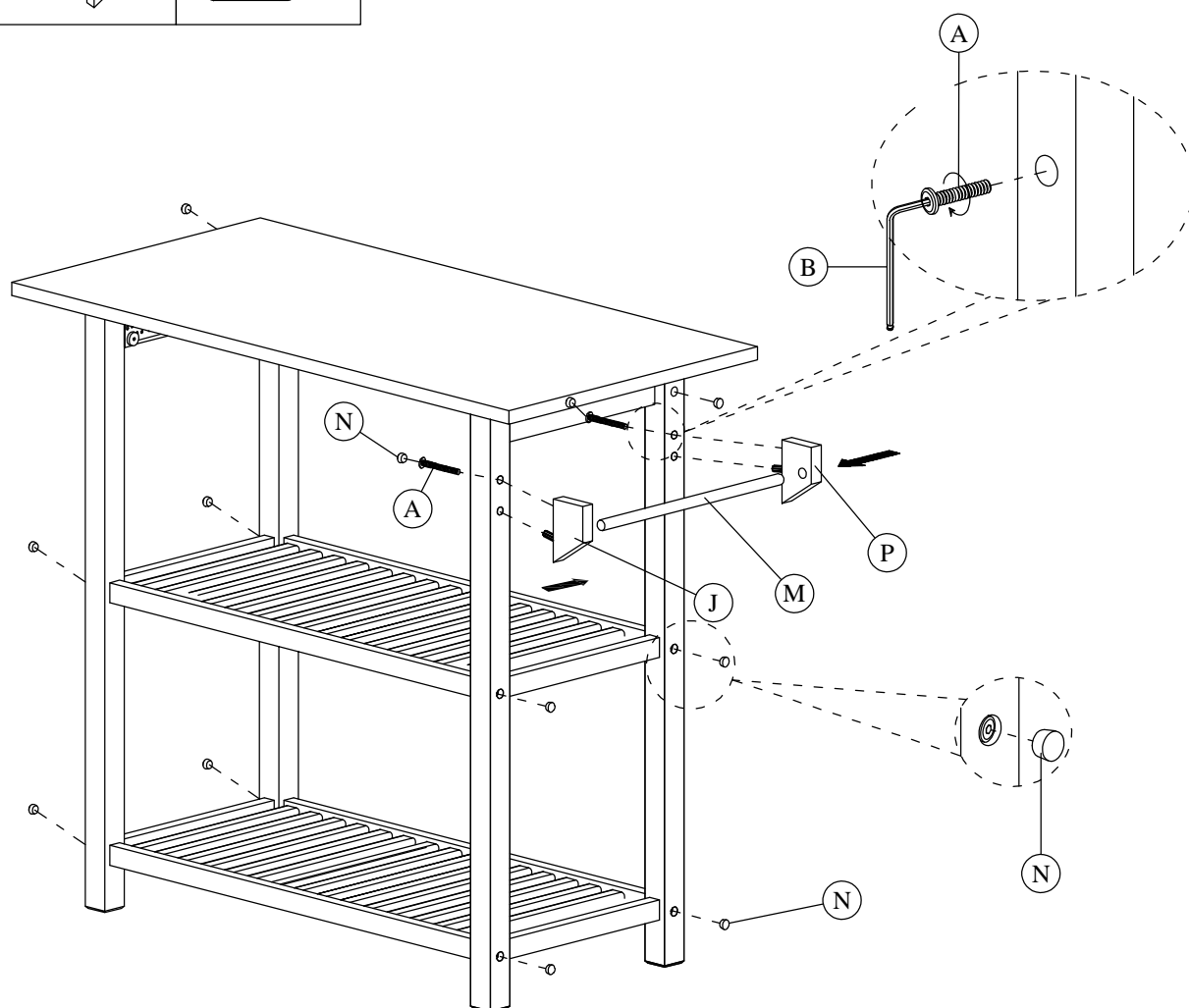
1. Insert Wooden dowels (K) into Table top (1).
2. Attach the table top (1) to the Frame with Allen bolts (A)



Step 4:

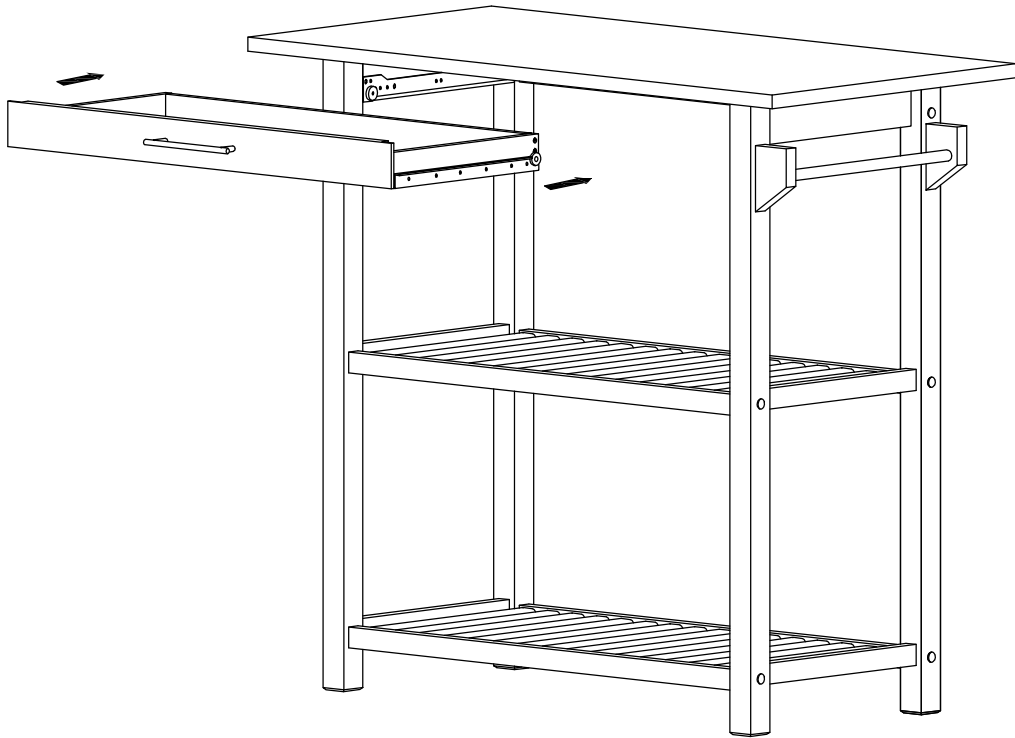
1. Insert wooden dowels (K) into left and right towel bar mounts.
2. Insert towel bar (M) into left and right towel bar mounts.
3. Attach towel bar assembly to right side of the table with Allen bolts (A).
4. Insert wooden plugs (N) into Allen bolt holes as shown.

M (x1) 	A (x2) 
J (x1) 	N (x12) 
P (x1) 	K (x2) 



Step 5:

1. Insert the drawer at a slight angle as shown.



Step 6:

1. - Enjoy !

