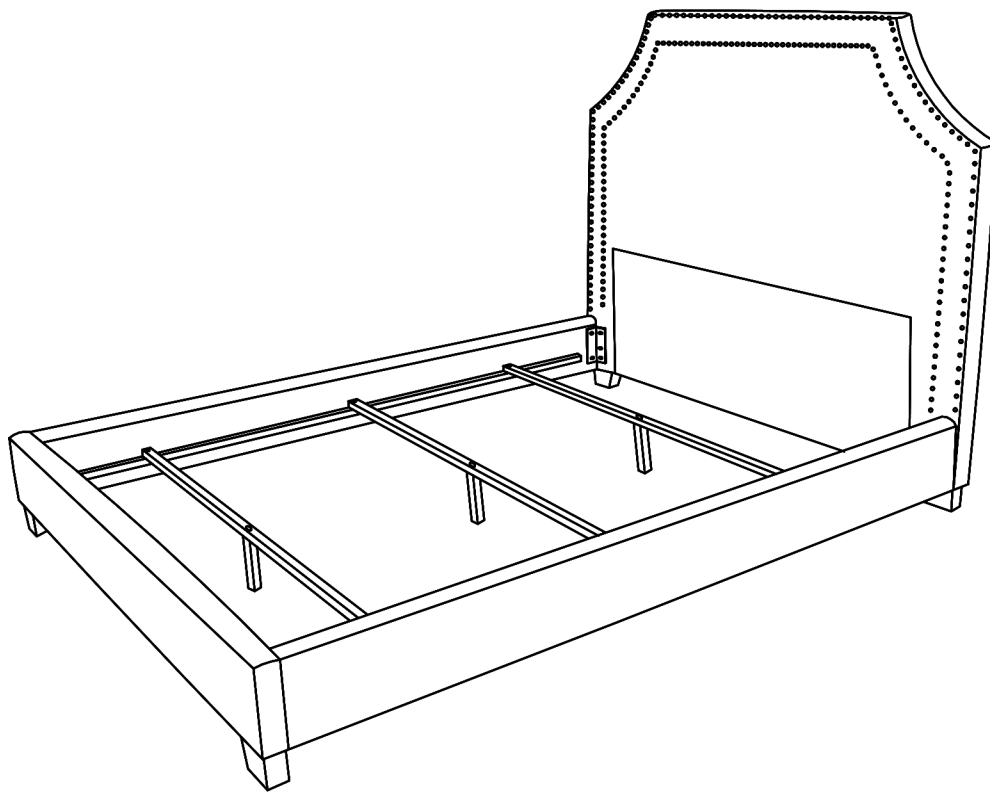


Assembly Instructions



ASSEMBLY RATING

The Assembly Rating is a 5-point system that shows the degree of effort needed in assembling a specific product (with 1 being easy and 5 being difficult). For some products, two persons are recommended.

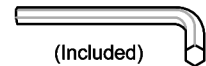
EASY



DIFFICULT

Tools Required For Assembly:

Allen Wrench



(Included)

Phillips Screwdriver



(Not Included)

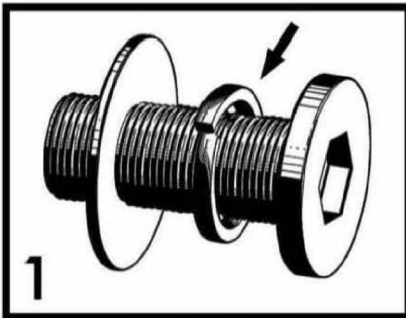


2 PERSONS RECOMMENDED

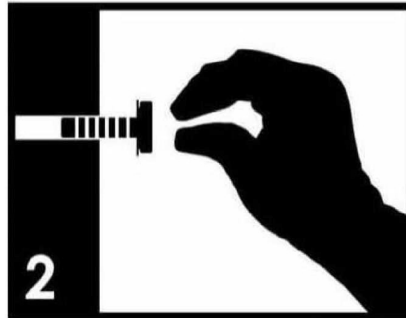
ASSEMBLY & CARE ADVICE

FOR YOUR FURNITURE TO LAST, CORRECT ASSEMBLY AND PROPER MAINTENANCE ARE NECESSARY. PLEASE FOLLOW THE INFORMATION PROVIDED BELOW TO FULLY ENJOY YOUR FURNITURE.

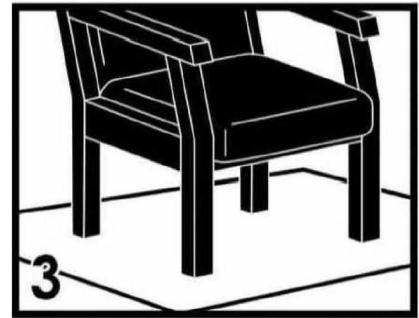
BASIC ASSEMBLY TECHNIQUES



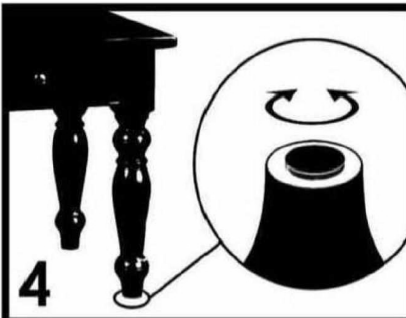
When lock or spring washer is used in an assembly, please make sure the lock or spring washer is placed between the larger flat washer and the head of the screw or bolt.



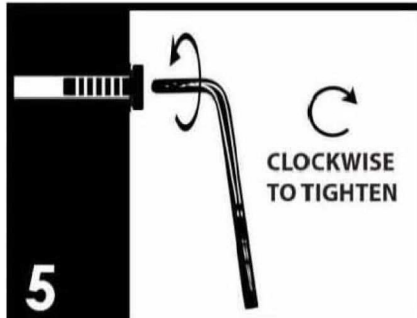
Position each part correctly and insert screws or bolts into their respective holes by hand tighten or using the proper hand tool. Only tighten when step is completed or when instructed to do so.



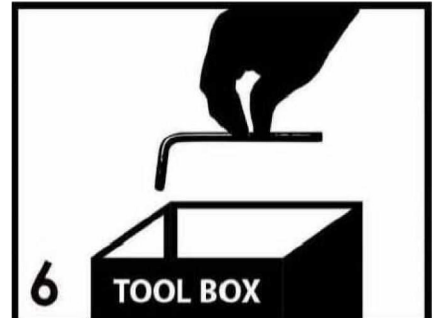
Use cardboard or carpet area when assembling furniture to prevent scratches. Make sure the furniture rests on a flat and level surface with each leg evenly touching the floor.



Some furniture comes with height adjustment knobs underneath each leg. To lower or to raise each leg, you need to turn clockwise or counterclockwise, respectively.



Make sure all parts are properly aligned, then use the appropriate hand tool to completely tighten the bolts or screws. Do not use power tools and do not overtighten.

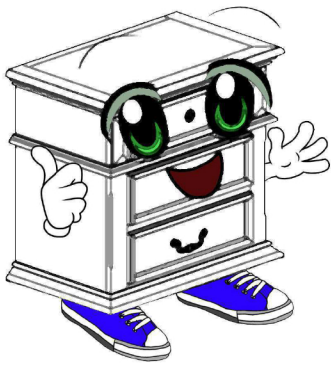


Save the instructions and store the Allen wrench or any supplied tool for later maintenance. After two weeks, check and tighten any loose hardware and repeat again every six months thereafter.

IT IS THE USER'S RESPONSIBILITY TO MAINTAIN THE FURNITURE. THE HARDWARE MAY LOOSEN OVER TIME AND MAY CAUSE THE FURNITURE TO BE WOBBLY AND UNABLE TO SUPPORT ITS INTENDED WEIGHT CAPACITY. THIS MAY LEAD TO COLLAPSE AND MAY CAUSE SERIOUS INJURY.



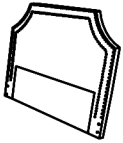
FAILURE TO FOLLOW THE GUIDELINES ABOVE MAY RESULT IN INJURY AND/OR PROPERTY DAMAGE.



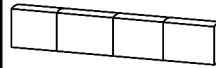
Before you begin, please read Page 2 of "Assembly and Care Advice".

And remember, do not tighten until each step is completed or instructed.

Parts List



#1 x 1pc
Headboard



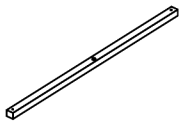
#2 x 1pc
Footboard



#3 x 2pcs
Side Rail



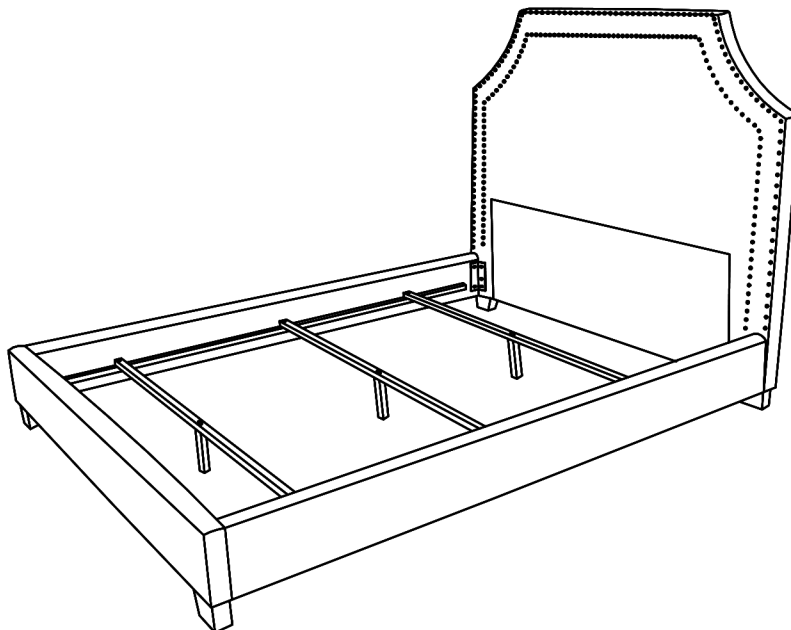
#4 x 3pcs
Support Leg

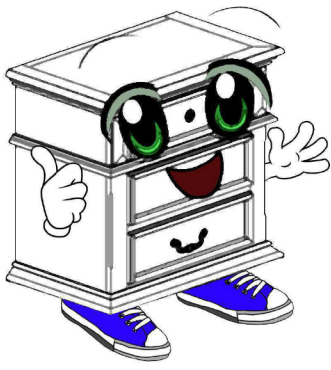


#5 x 3pcs
Metal Slat



#6 x 4pcs
Leg

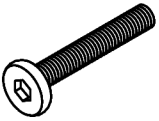
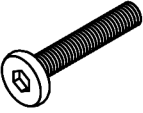
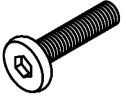

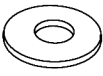

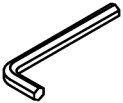



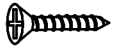





Before you begin, please read Page 2 of "Assembly and Care Advice".

And remember, do not tighten until each step is completed or instructed.

Hardware List

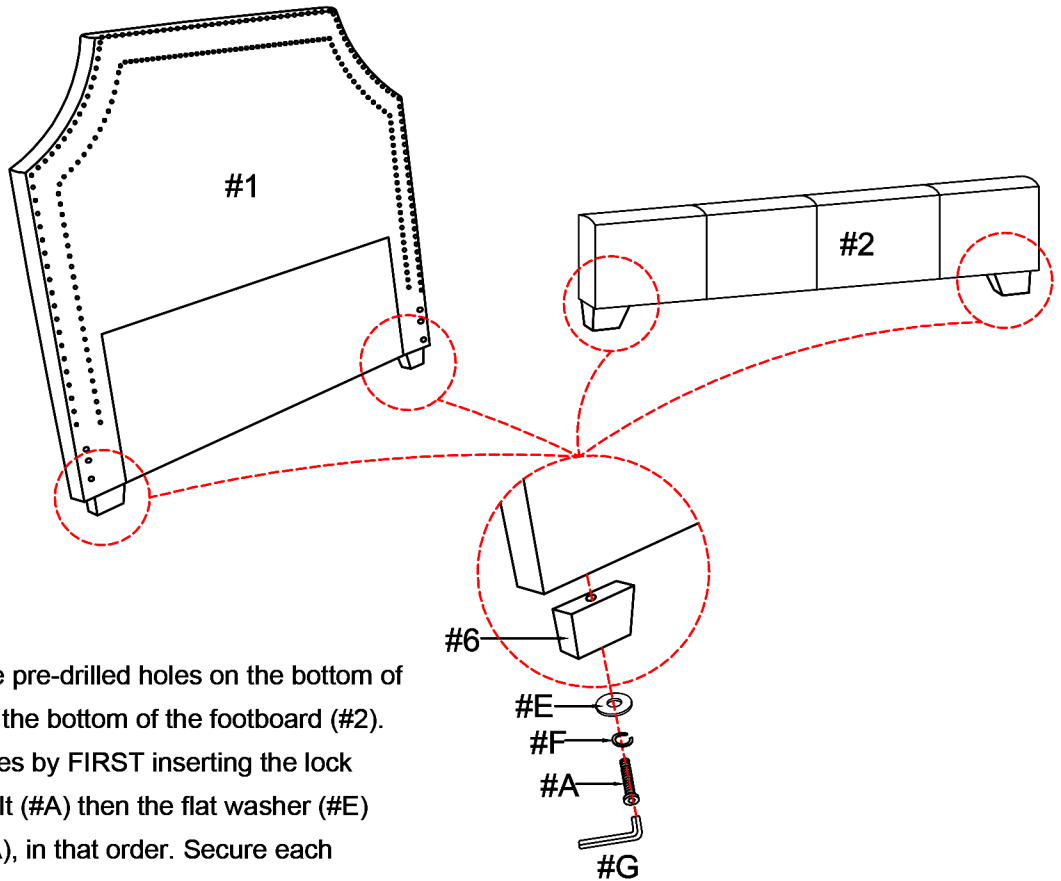
	#A x 4pcs Bolt 5/16"X2-1/2"
	#B x 8pcs Bolt 5/16"X1-1/2"
	#C x 8pcs Bolt Ø5/16"X1"
	#D x 3pcs Bolt Ø1/4"X1-3/4"
	#E x 20pcs Flat Washer 5/16"
	#F x 20pcs Lock Washer 5/16"
	#G x 1pc Allen Wrench M5
	#H x 1pc Allen Wrench M4

	#I x 6pcs Screw Ø4X1-3/4"
	#J x 4pcs Connection Strap
	#K x 3pcs Flat Washer 1/4"
	#L x 3pcs Lock Washer 1/4"



#1

- #A x 4pcs
- #E x 4pcs
- #F x 4pcs

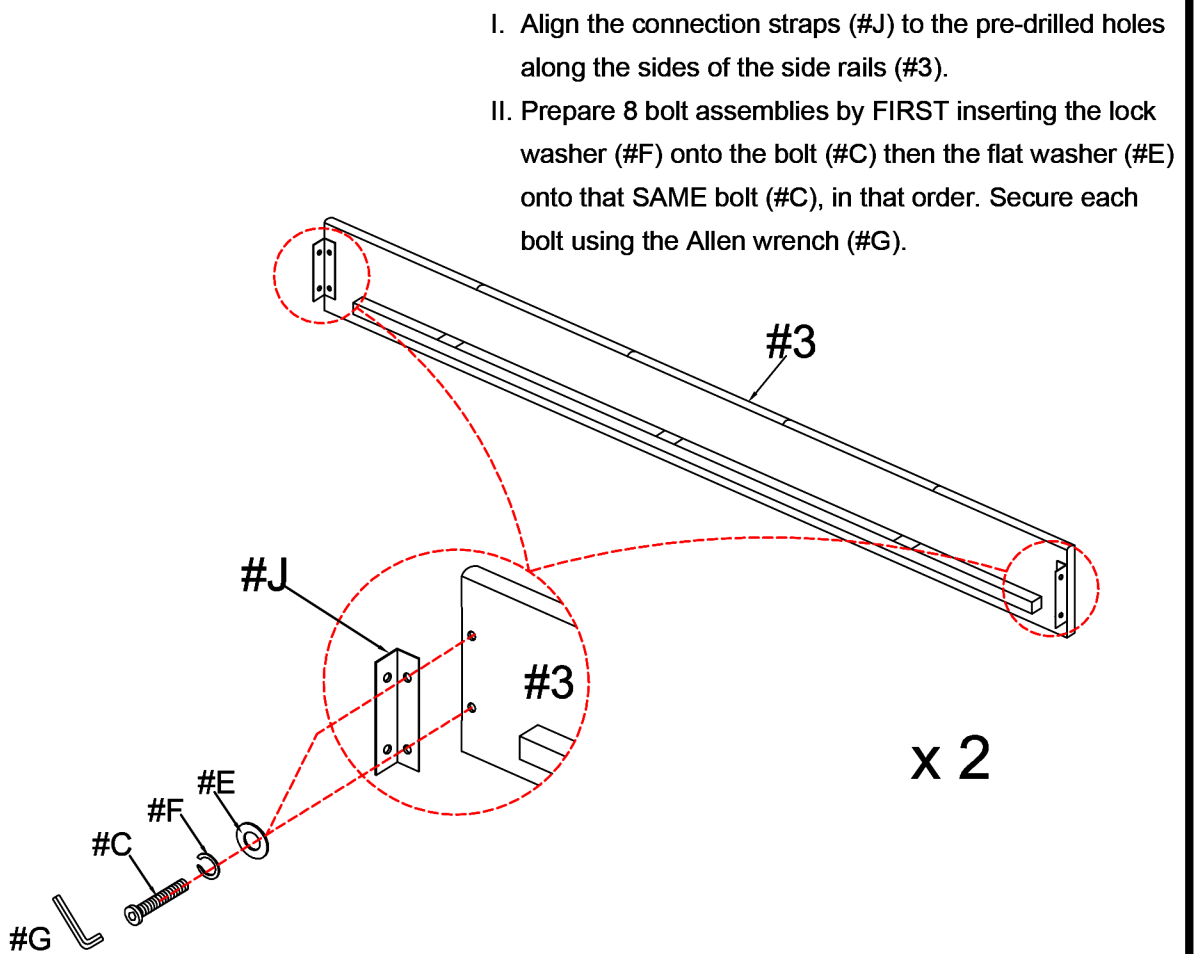


- I. Align the legs (#6) to the pre-drilled holes on the bottom of the headboard (#1) and the bottom of the footboard (#2).
- II. Prepare 4 bolt assemblies by FIRST inserting the lock washer (#F) onto the bolt (#A) then the flat washer (#E) onto that SAME bolt (#A), in that order. Secure each bolt using the Allen wrench (#G).



#2

- #C x 8pcs
- #E x 8pcs
- #F x 8pcs
- #J x 4pcs

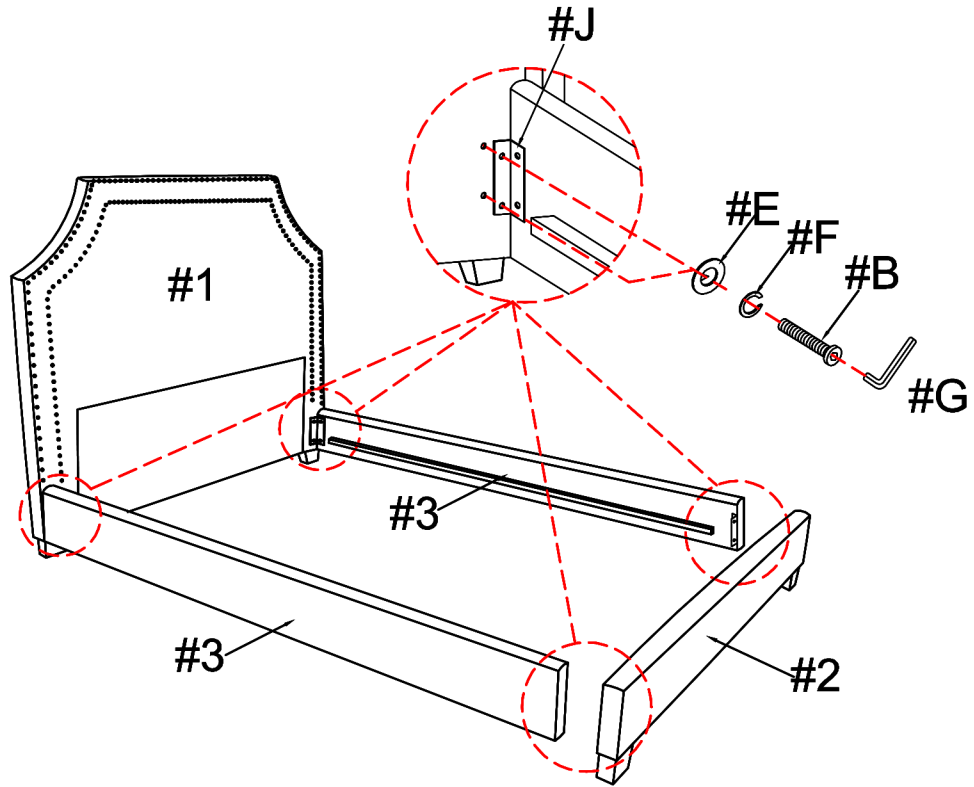


- I. Align the connection straps (#J) to the pre-drilled holes along the sides of the side rails (#3).
- II. Prepare 8 bolt assemblies by FIRST inserting the lock washer (#F) onto the bolt (#C) then the flat washer (#E) onto that SAME bolt (#C), in that order. Secure each bolt using the Allen wrench (#G).



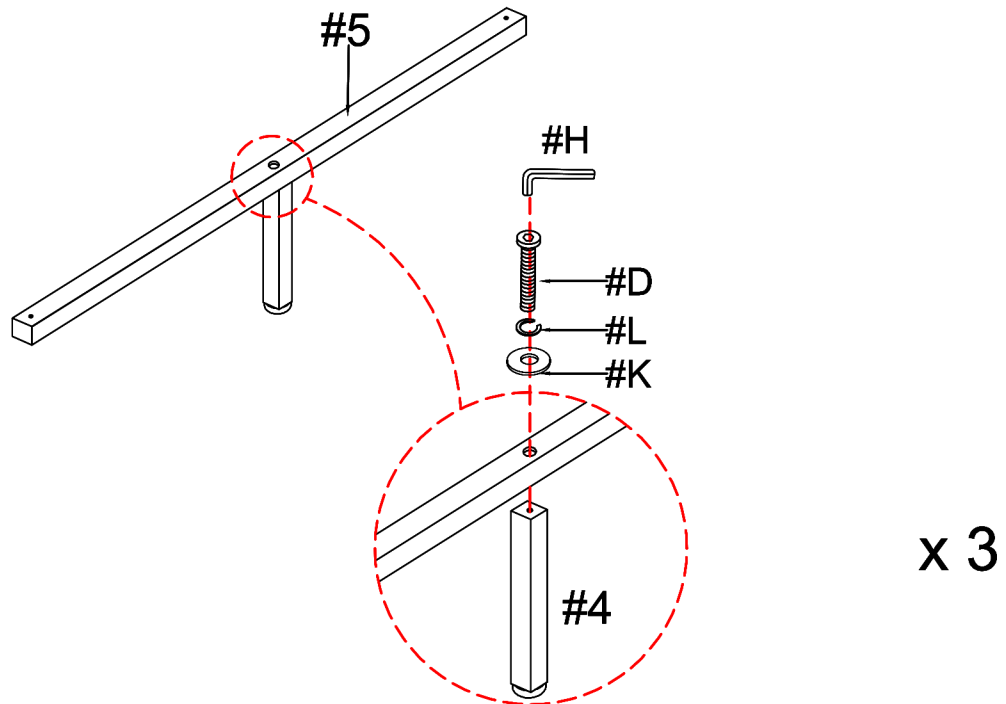
- I. Align the connection straps (#J) connected to the side rails to the pre-drilled holes on the headboard (#1) and footboard (#2).
- II. Prepare 8 bolt assemblies by FIRST inserting the lock washer (#F) onto the bolt (#B) then the flat washer (#E) onto that SAME bolt (#B), in that order. Secure each bolt using the Allen wrench (#G).

#B x 8pcs
 #E x 8pcs
 #F x 8pcs



- I. Align the support legs (#4) to the pre-drilled holes on all three metal slats (#5).
- II. Prepare 6 bolt assemblies by FIRST inserting the lock washer (#L) onto the bolt (#D) then the flat washer (#K) onto that SAME bolt (#D), in that order. Secure each bolt using the Allen wrench (#G).

#D x 3pcs
 #K x 3pcs
 #L x 3pcs

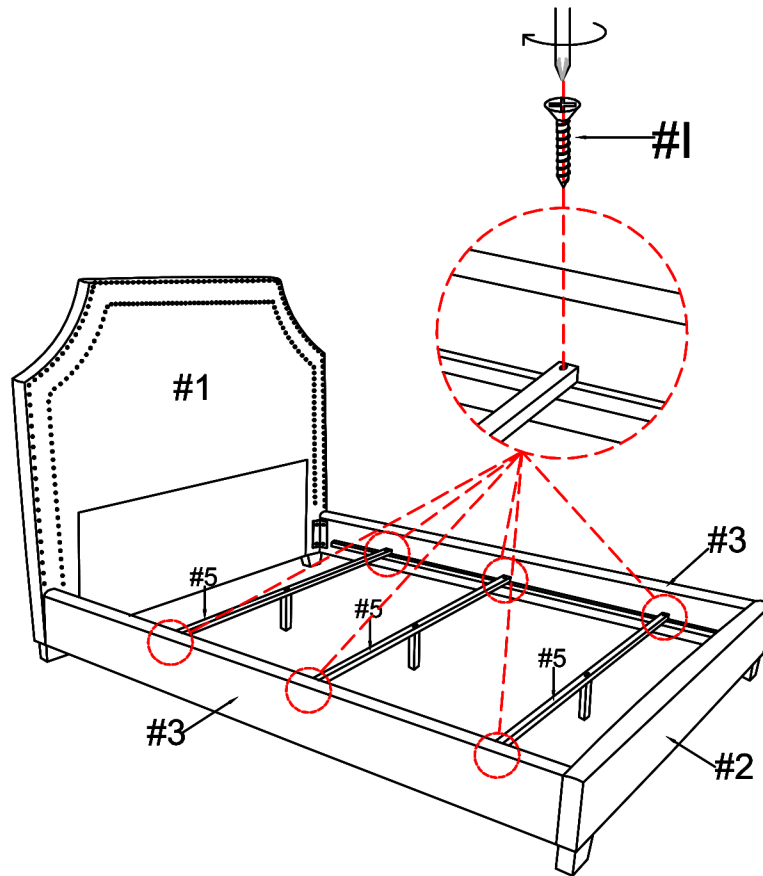




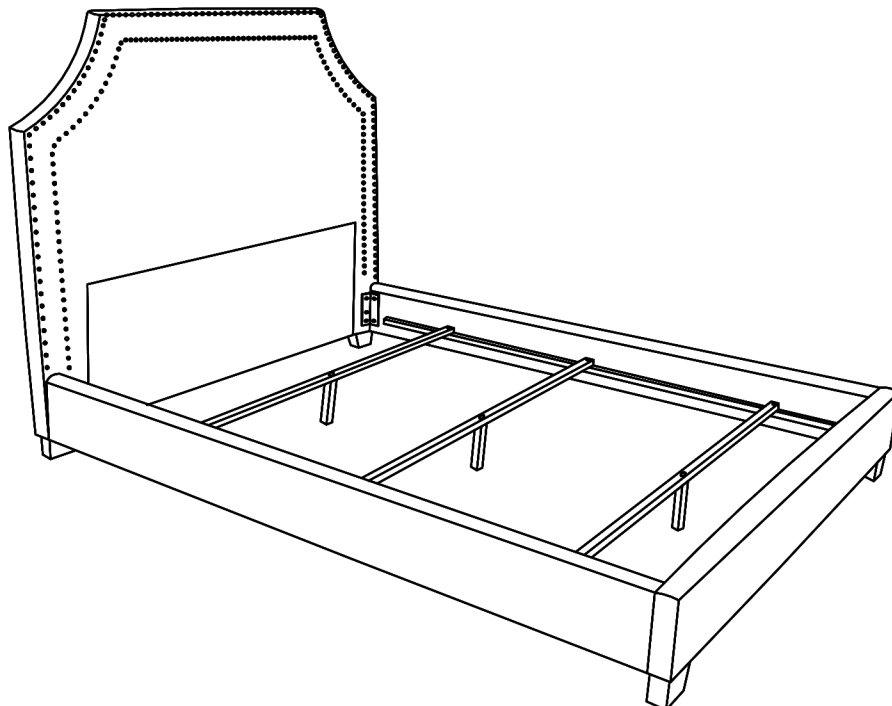
#5

#1 x 6pcs

- I. Align the ends of the metal slats (#5) to the pre-drilled holes along the sides of the side rails (#3).
- II. Insert a total of 6 screws (#1) into the ends and secure using a Phillips screwdriver.



#6



ASSEMBLY IS COMPLETED