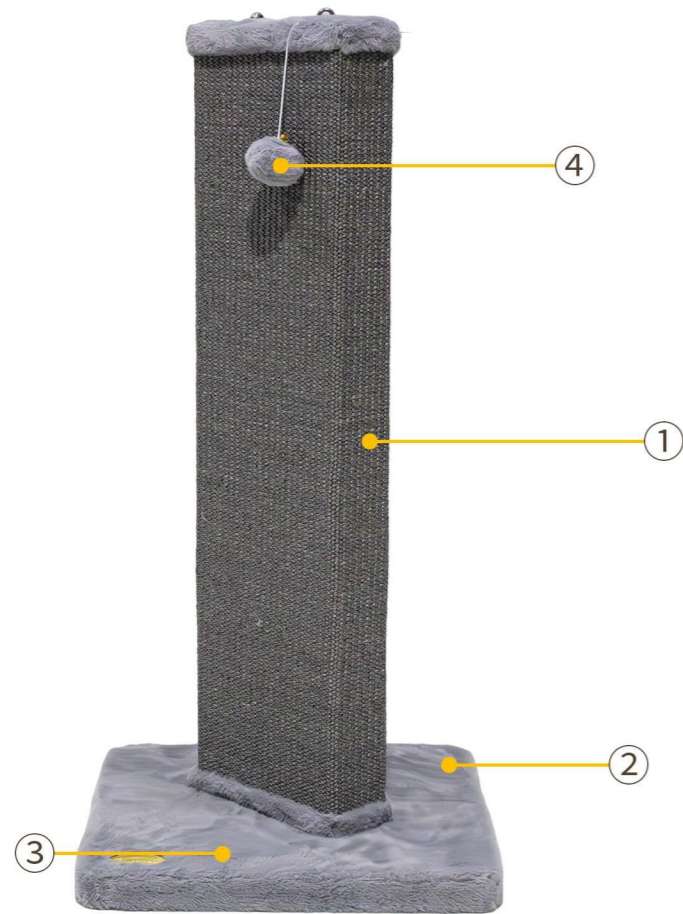





Assembly Manual



Components List

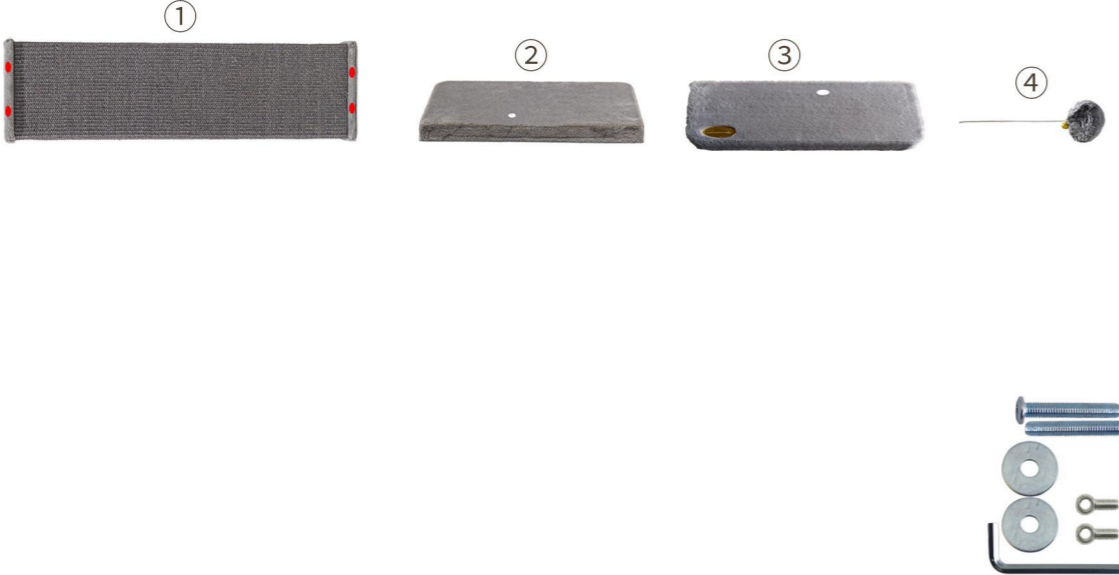
Parts	Size	Qty	S/N	Box
	21*7*80cm	1	①	1/1
	40*20cm	1	②	
	40*20cm	1	③	
	φ5*25cm	1	④	

Screw list

Size	Qty	S/N	Box
φ10*60mm	2	A	1/1
			
M10	2	B	1/1
			
φ35mm	2	C	1/1
			



Please arrange all the parts in serial number as follows

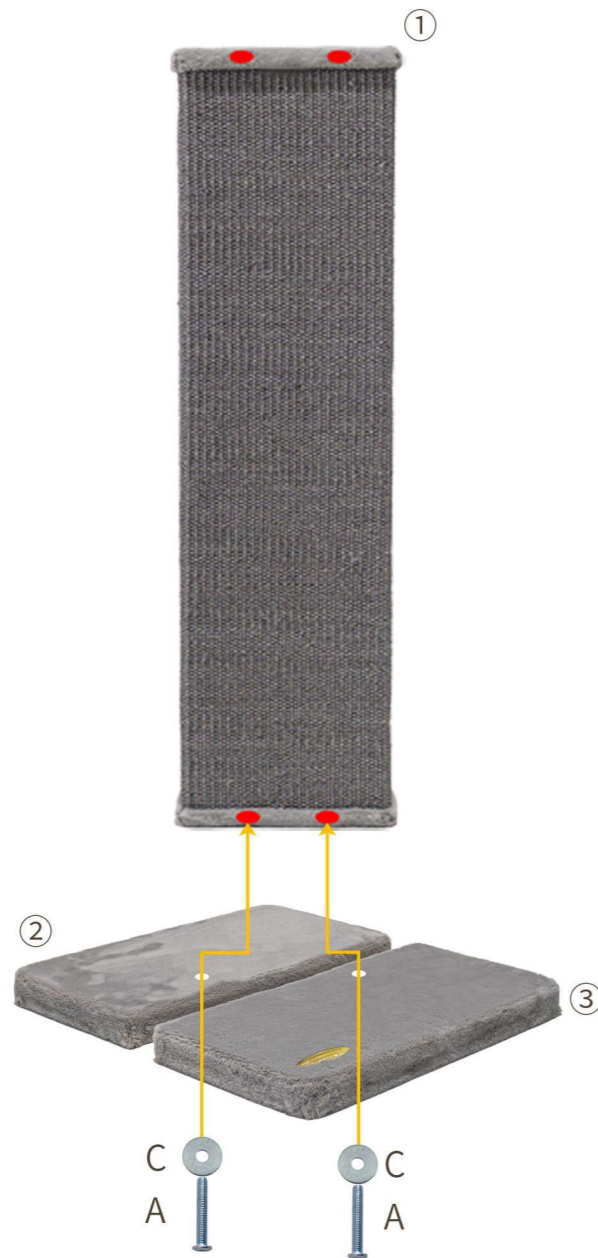




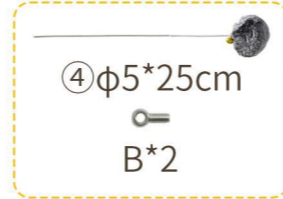
Assembly Manual

1 step.1

Before installation, please prepare the accessories in the step box, and install them in the order of the steps.



2 step.2



• A  $\phi 10 \times 60$ mm

• B  M10

• C  $\phi 35$ mm