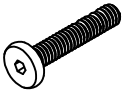


INSTALLATION & ASSEMBLY

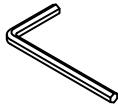
A*8



B*8



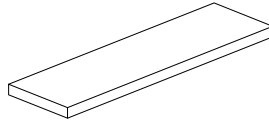
C*1



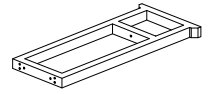
D*8



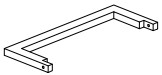
P1*1



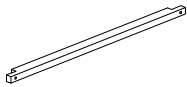
P2*2



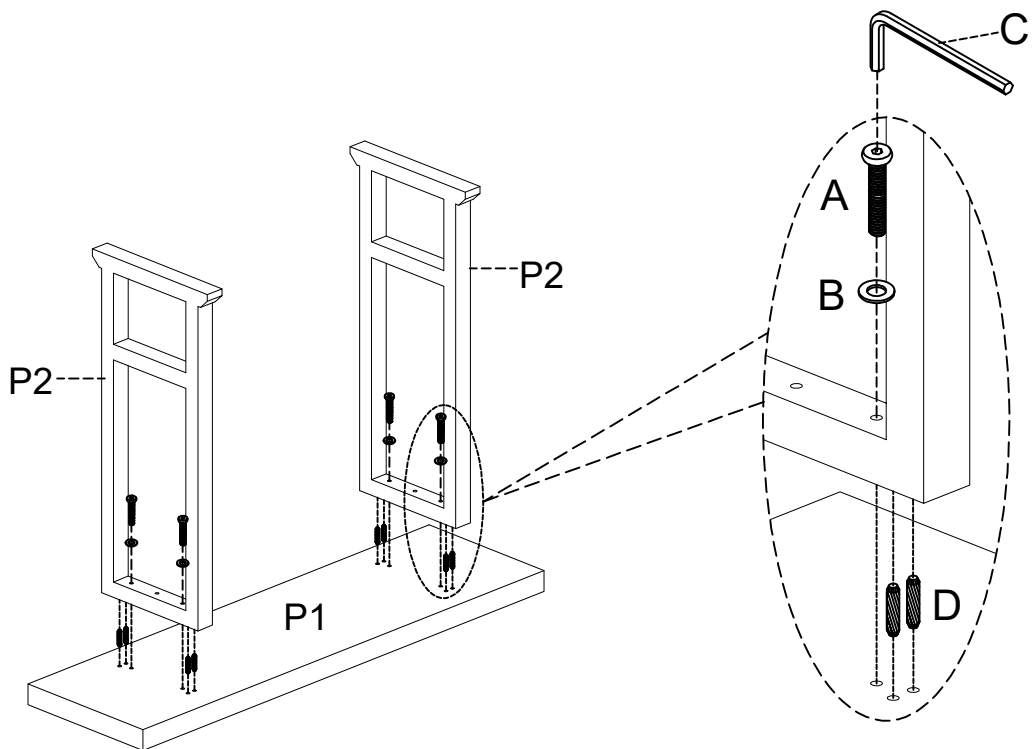
P3*2



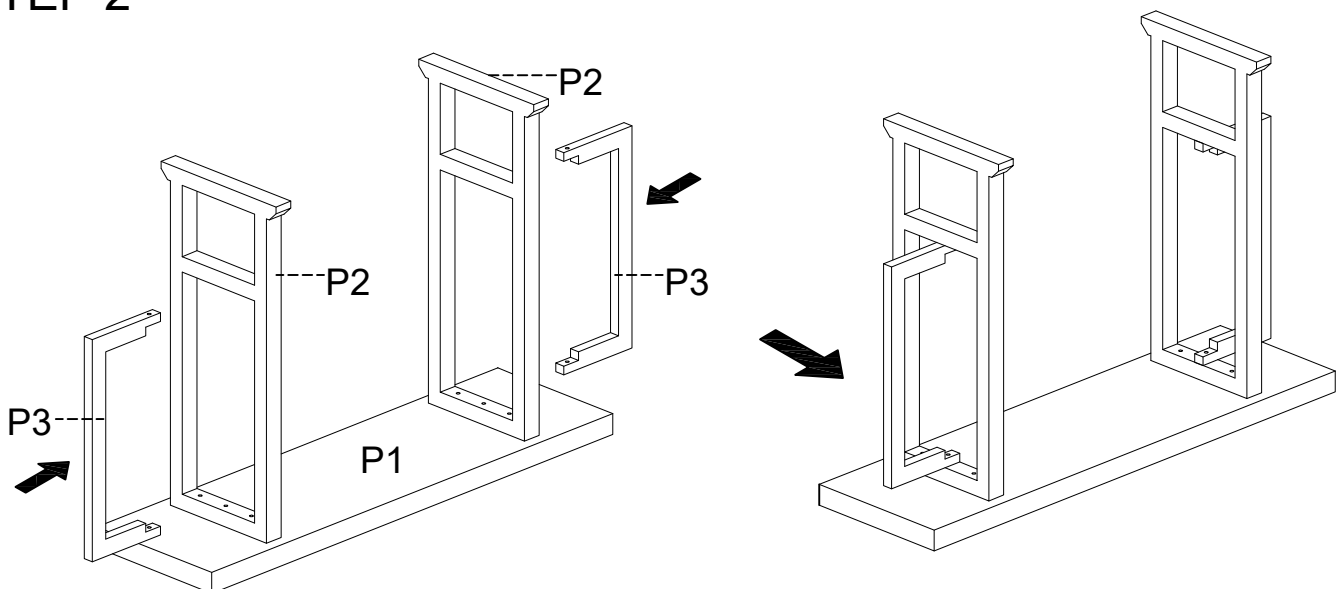
P4*2



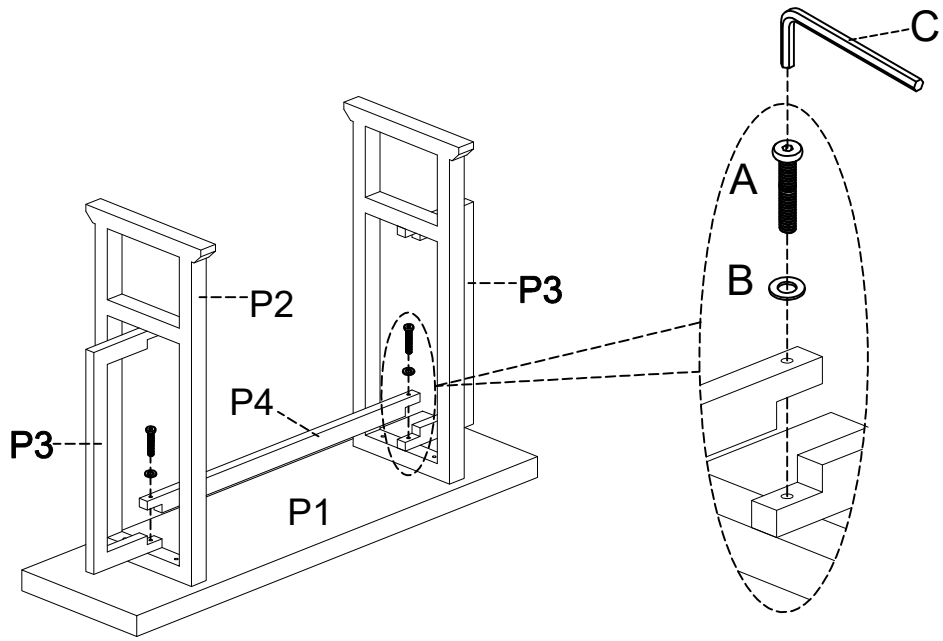
STEP 1



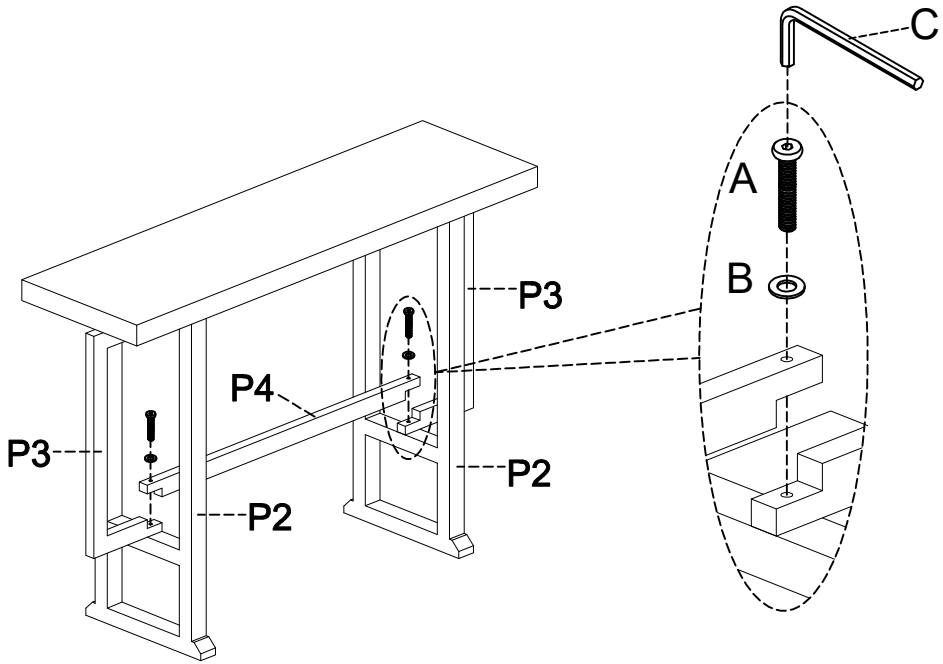
STEP 2



STEP 3



STEP 4



FINISH

