

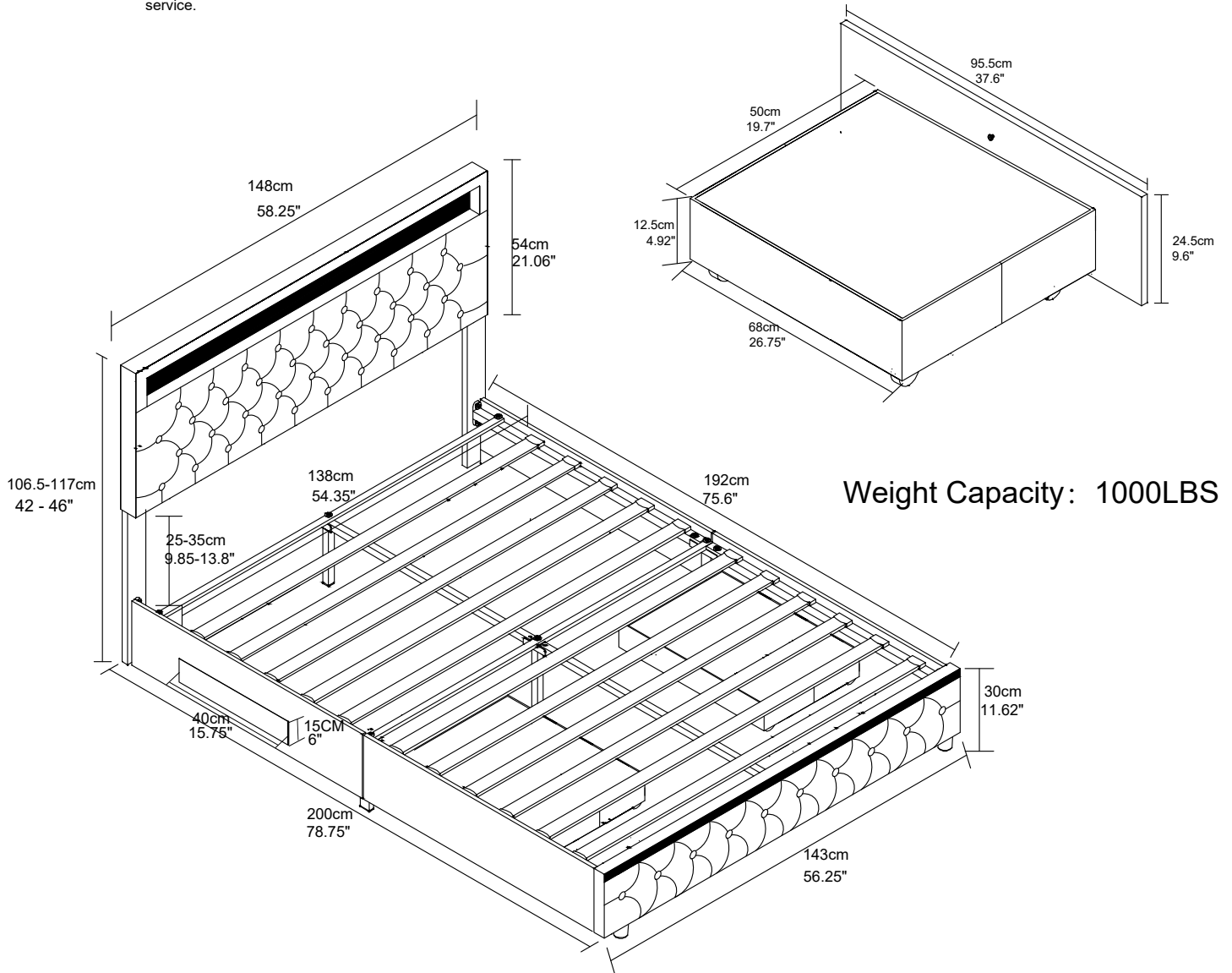
User's Manual

Bed Frame



Note:

1. Should be assembled on flat ground to keep balance.
2. Before completing the installation, do not tighten the screws.
3. Please contact **after-service** directly for any breakage problem of the product, we will provide you with satisfactory service.



Before starting the assembly, you must read the whole manual and follow the instructions



It needs at least two people to install.

EN | ES

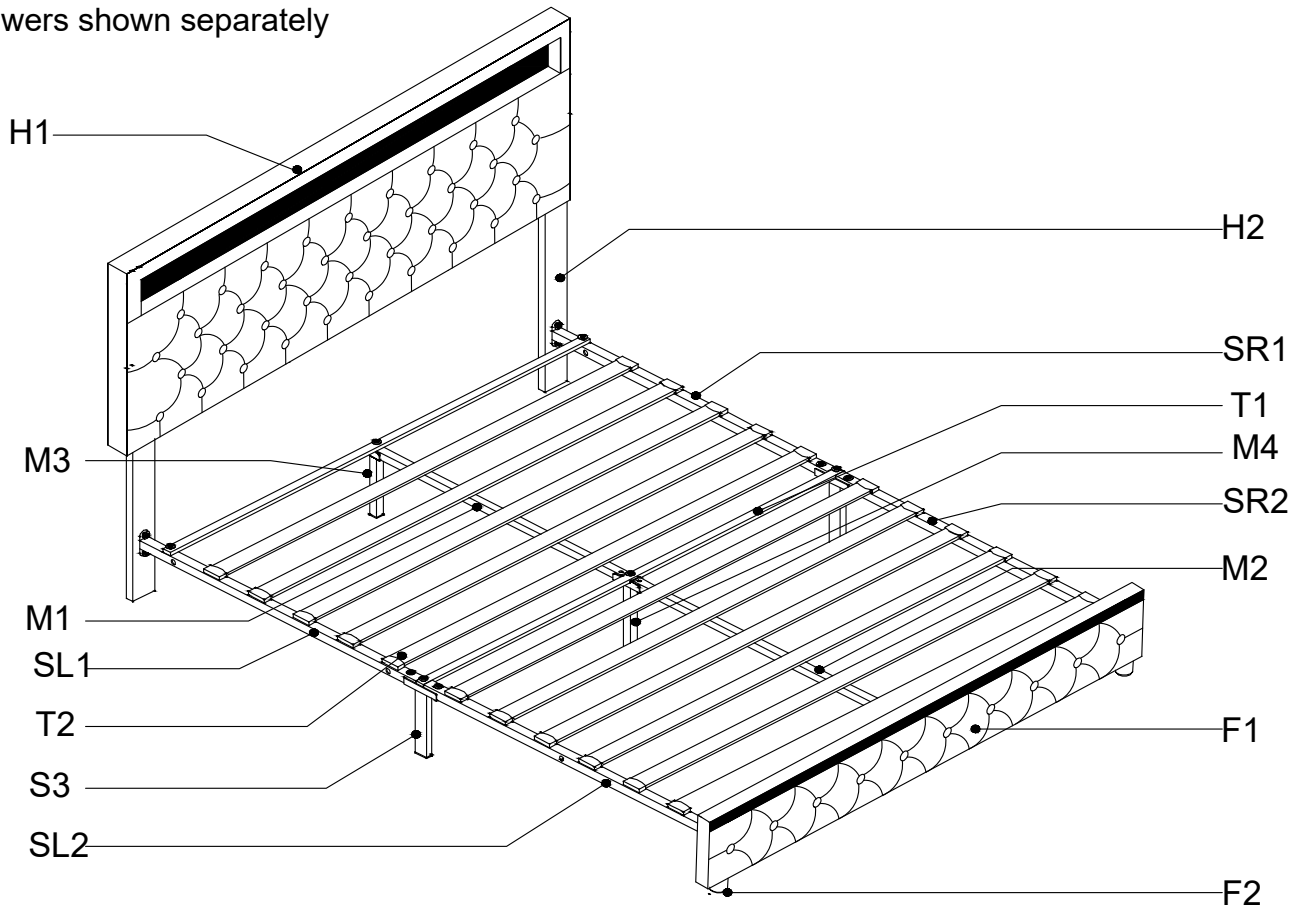
Contact us first if you have any problems, we would do better than Platform's official service. Replacement for missing or damaged parts will be shipped ASAP!

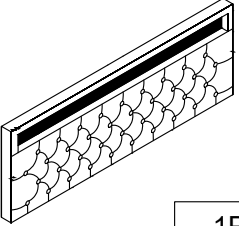

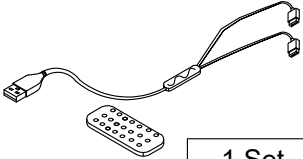
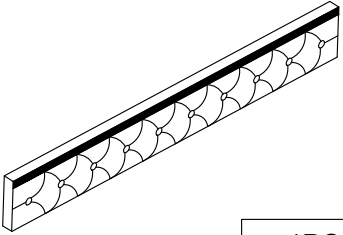

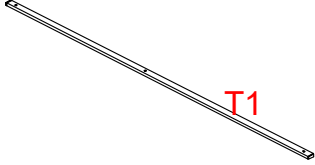
EN | ES

Si tiene algún problema con su producto o pedido, póngase en contacto con nosotros antes de consultar con el servicio de atención al cliente de Platform, le resolveremos su problema con mayor brevedad. ¡
Reemplazamos
piezas perdidas o dañadas enviándolas rápidamente

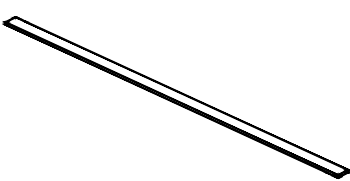
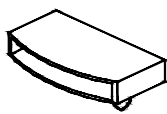
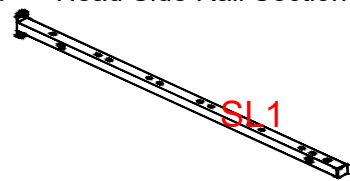
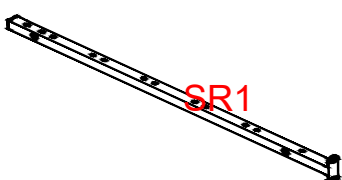
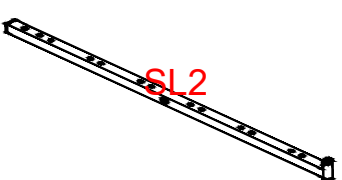
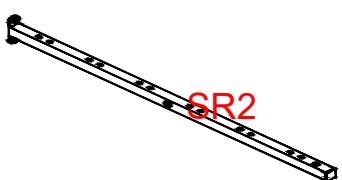
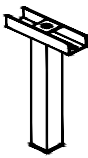
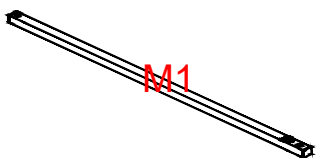
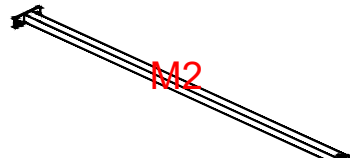
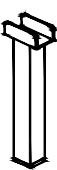
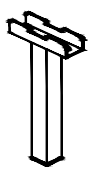
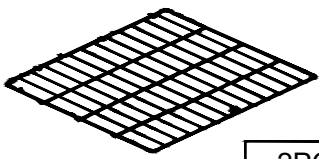
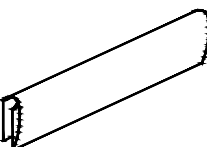
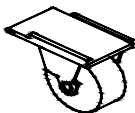
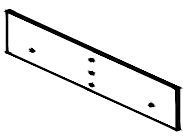
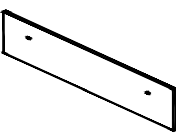
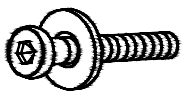





Assembly Instruction of (Bed)

Drawers shown separately



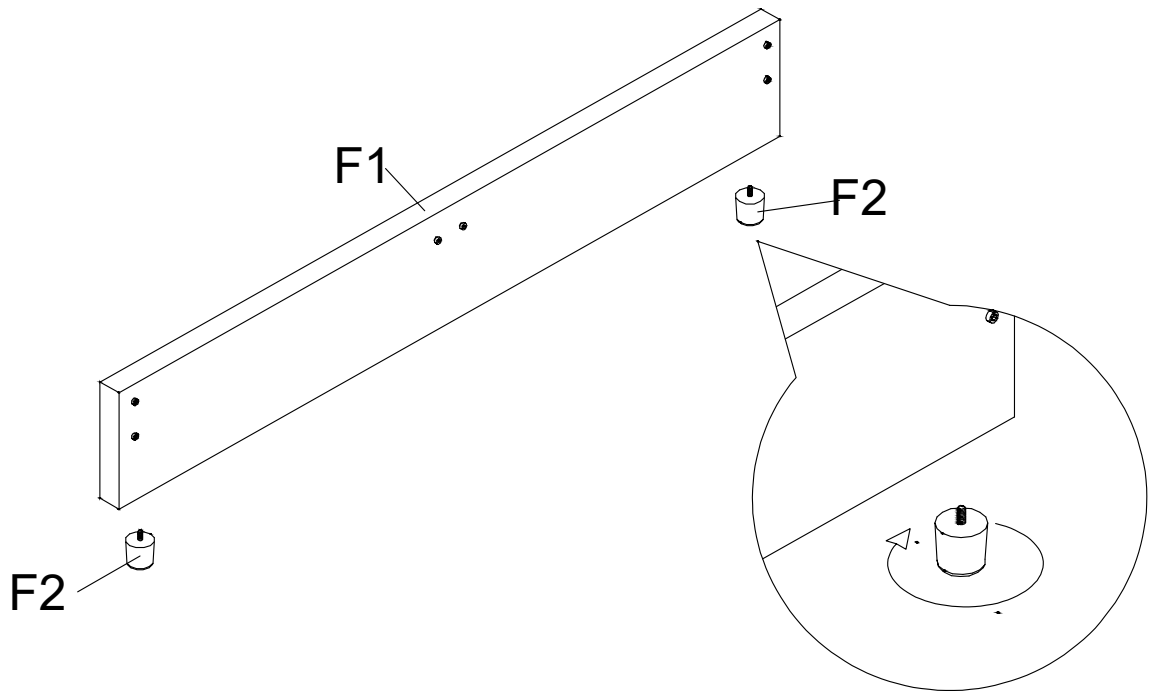
<p>H1 Headboard</p>  <p>1PC</p>	<p>H2 Headboard Leg</p>  <p>2PCS</p>	<p>H3 Connecting cable and LED remote control</p>  <p>1 Set</p>
<p>F1 Footboard</p>  <p>1PC</p>	<p>F2 Footboard Feet</p>  <p>2PCS</p>	<p>T1 Cross Beam</p>  <p>2PCS</p>

Assembly Instruction of (Bed)

<p>T2 Slat</p>  <p style="text-align: right; border: 1px solid black; padding: 2px;">11PCS</p>	<p>T3 Slat Anchor Clip</p>  <p style="text-align: right; border: 1px solid black; padding: 2px;">22+2PCS</p>	<p>SL1 Head Side Rail Section</p>  <p style="text-align: right; border: 1px solid black; padding: 2px;">1PC</p>	
<p>SR1 Head Side Rail Section</p>  <p style="text-align: right; border: 1px solid black; padding: 2px;">1PC</p>	<p>SL2 Foot Side Rail Section</p>  <p style="text-align: right; border: 1px solid black; padding: 2px;">1PC</p>	<p>SR2 Foot Side Rail Section</p>  <p style="text-align: right; border: 1px solid black; padding: 2px;">1PC</p>	
<p>S3 Center Side Rail Leg</p>  <p style="text-align: right; border: 1px solid black; padding: 2px;">2PCS</p>	<p>M1 Head Middle Rail</p>  <p style="text-align: right; border: 1px solid black; padding: 2px;">1PC</p>	<p>M2 Foot Middle Rail</p>  <p style="text-align: right; border: 1px solid black; padding: 2px;">1PC</p>	
<p>M3 Head Middle Leg</p>  <p style="text-align: right; border: 1px solid black; padding: 2px;">1PC</p>	<p>M4 Central Middle Leg</p>  <p style="text-align: right; border: 1px solid black; padding: 2px;">1PC</p>	<p>D1 Drawer Grid Base</p>  <p style="text-align: right; border: 1px solid black; padding: 2px;">2PCS</p>	
<p>D2 Fabric Drawer Shell</p>  <p style="text-align: right; border: 1px solid black; padding: 2px;">2PCS</p>	<p>D3 Drawer Caster</p>  <p style="text-align: right; border: 1px solid black; padding: 2px;">8PCS</p>	<p>D4 Drawer Panel</p>  <p style="text-align: right; border: 1px solid black; padding: 2px;">2PCS</p>	
<p>D5 Side Panel</p>  <p style="text-align: right; border: 1px solid black; padding: 2px;">2PCS</p>	<p>U1 M8×45mm Screw with Washer</p>  <p style="text-align: right; border: 1px solid black; padding: 2px;">20+2PCS</p>	<p>U2 M6×15mm Screw with Washer</p>  <p style="text-align: right; border: 1px solid black; padding: 2px;">8+1PCS</p>	
<p>U3 M6×15mm Screw</p>  <p style="text-align: right; border: 1px solid black; padding: 2px;">2PCS</p>	<p>U8L M8 L-Wrench</p>  <p style="text-align: right; border: 1px solid black; padding: 2px;">1PC</p>	<p>U6L M6 L-Wrench</p>  <p style="text-align: right; border: 1px solid black; padding: 2px;">1PC</p>	<p>W Light Bar Fixer</p>  <p style="text-align: right; border: 1px solid black; padding: 2px;">4PCS</p>

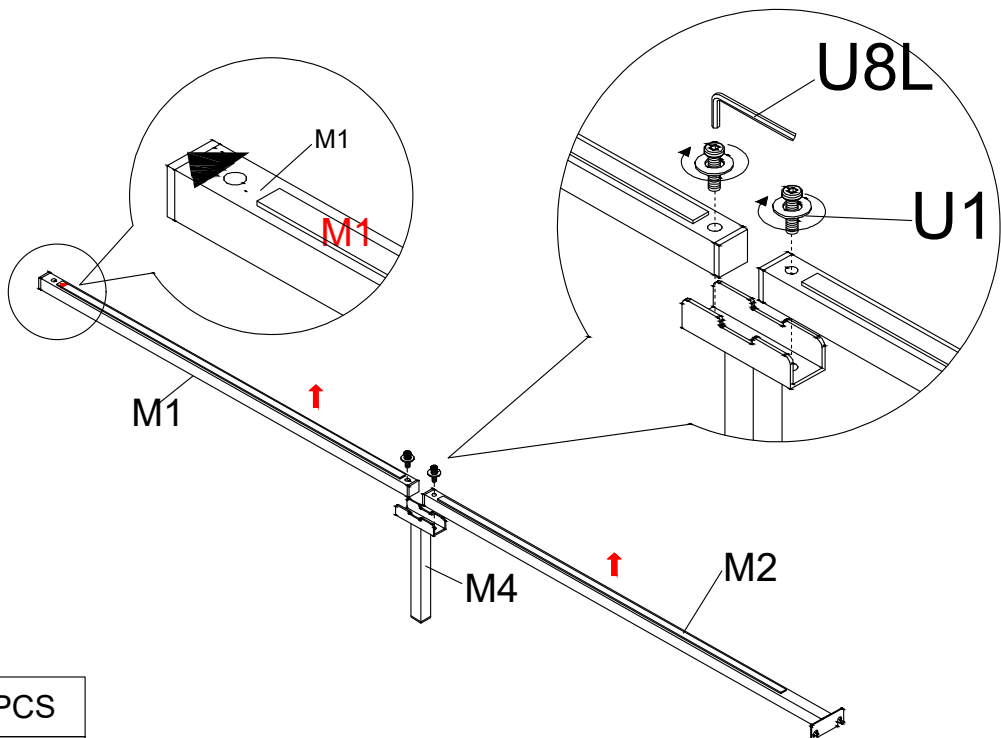
Assembly Instruction of (Bed)

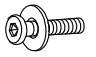

STEP 1



STEP 2

Noted that the middle cross beam, the direction of the black arrow is the front

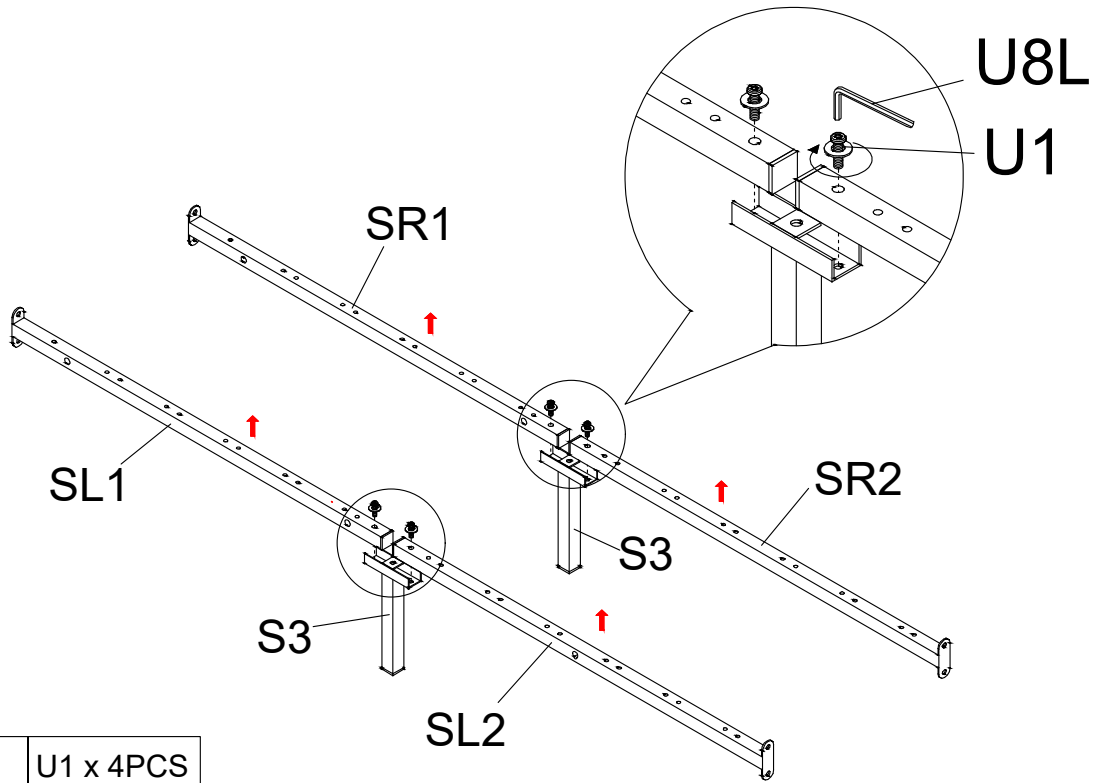


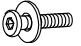

	U1 x 2PCS
	U8L x 1PC

Screws with small round pieces will make the bed more stable.

Assembly Instruction of (Bed)

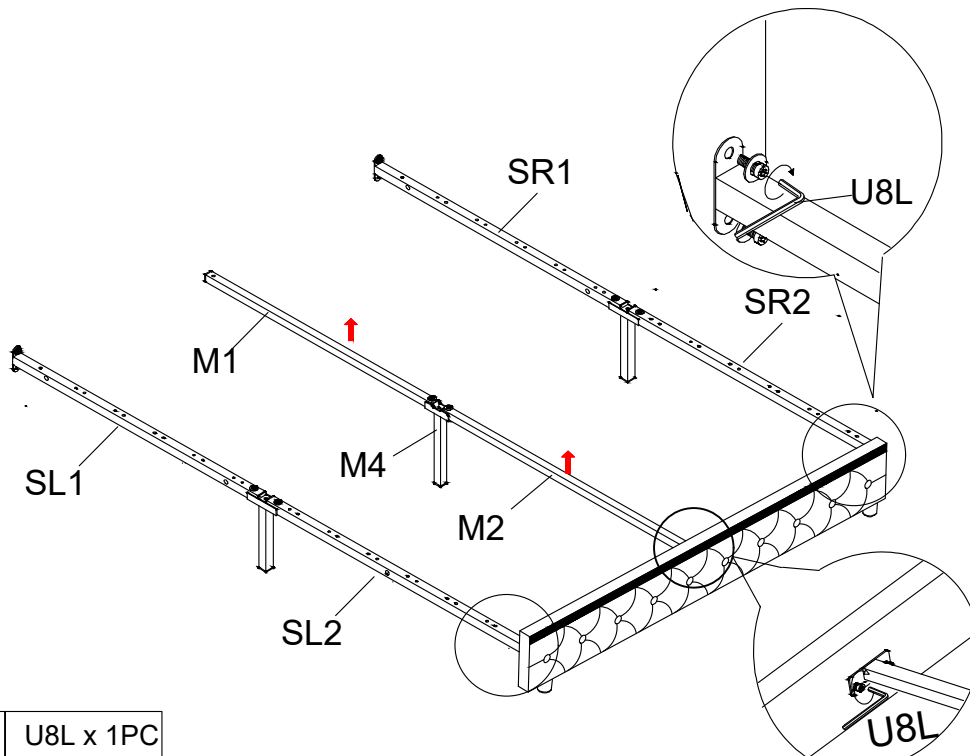
STEP 3




	U1 x 4PCS
	U8L x 1PC

Screws with small round pieces will make the bed more stable.

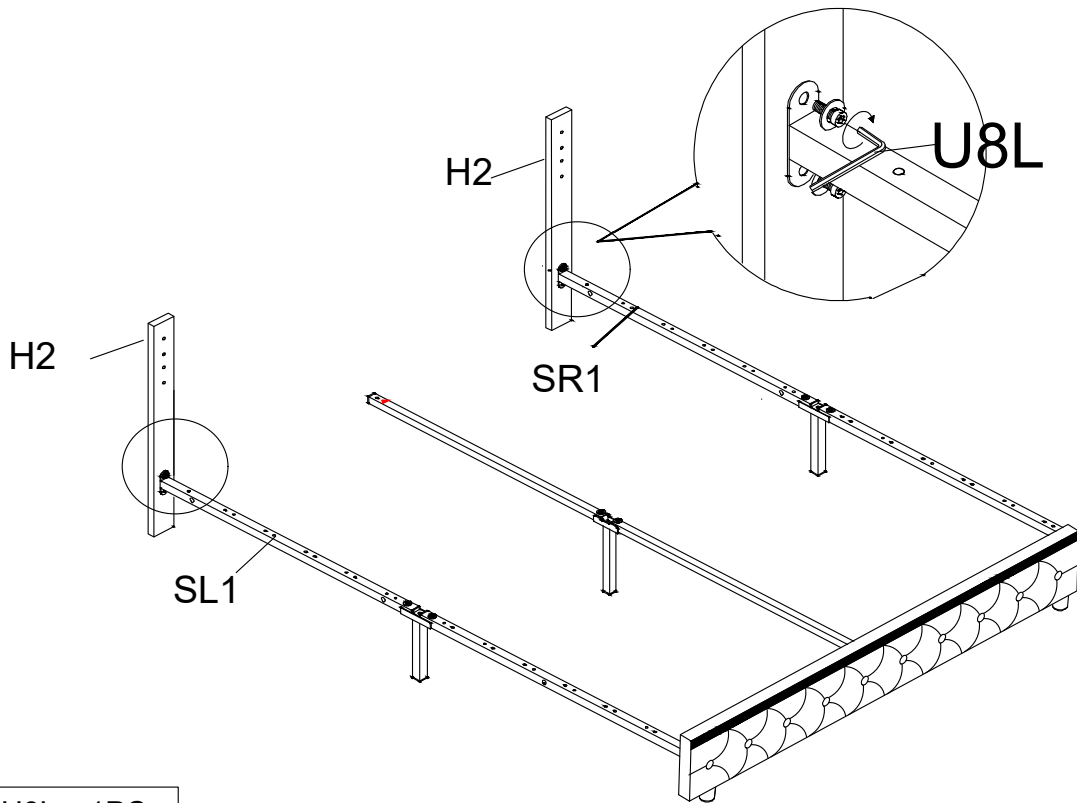
STEP 4




	U8L x 1PC
---	-----------

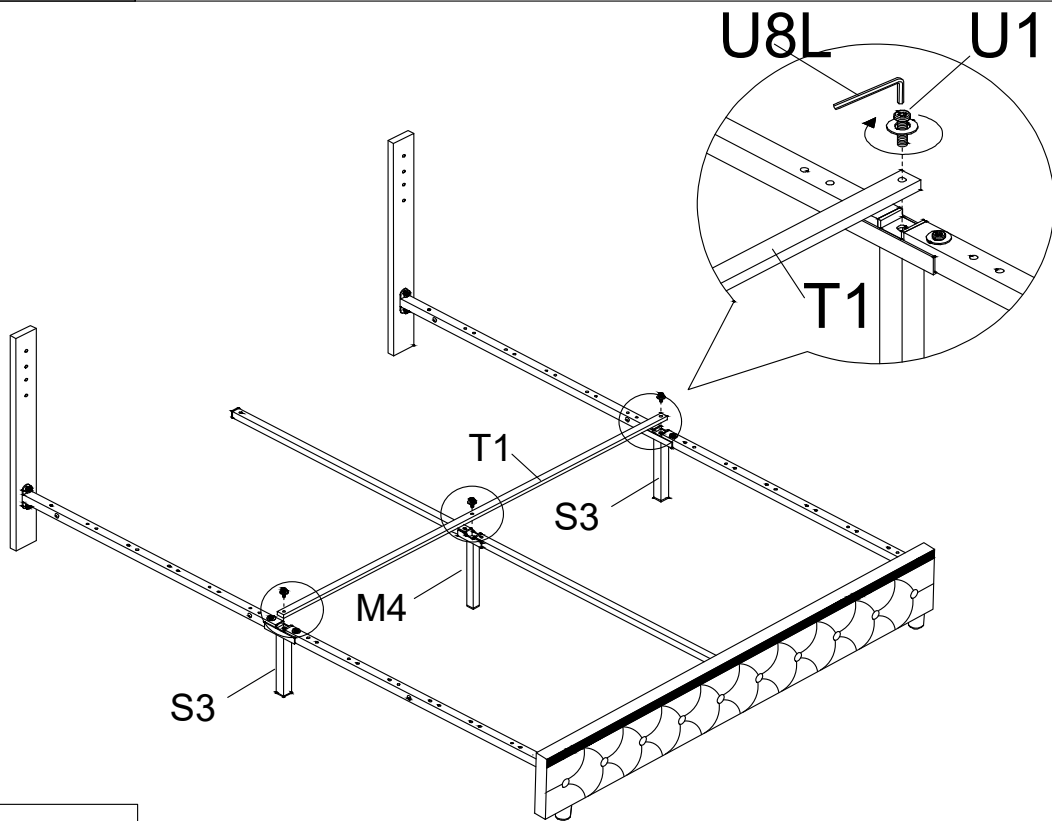
Assembly Instruction of (Bed)

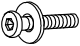

STEP 5



	U8L x 1PC
---	-----------

STEP 6

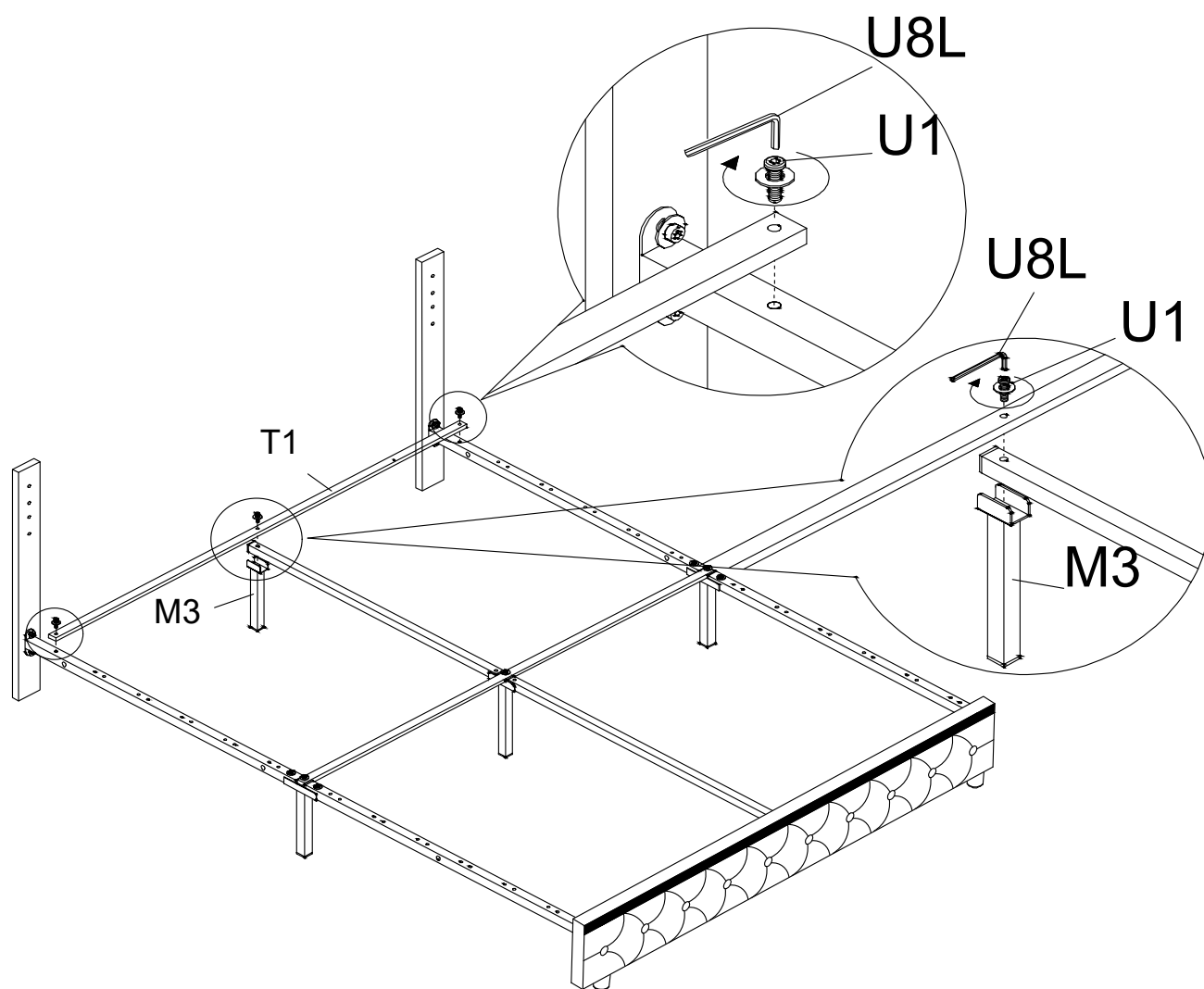




	U1 x 3PCS
	U8L x 1PC

Screws with small round pieces will make the bed more stable.

Assembly Instruction of (Bed)

STEP 7

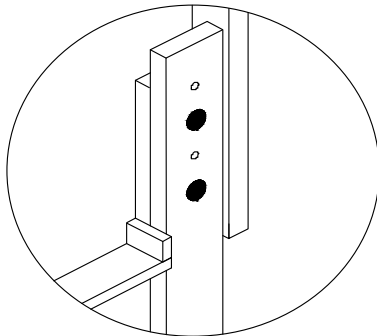
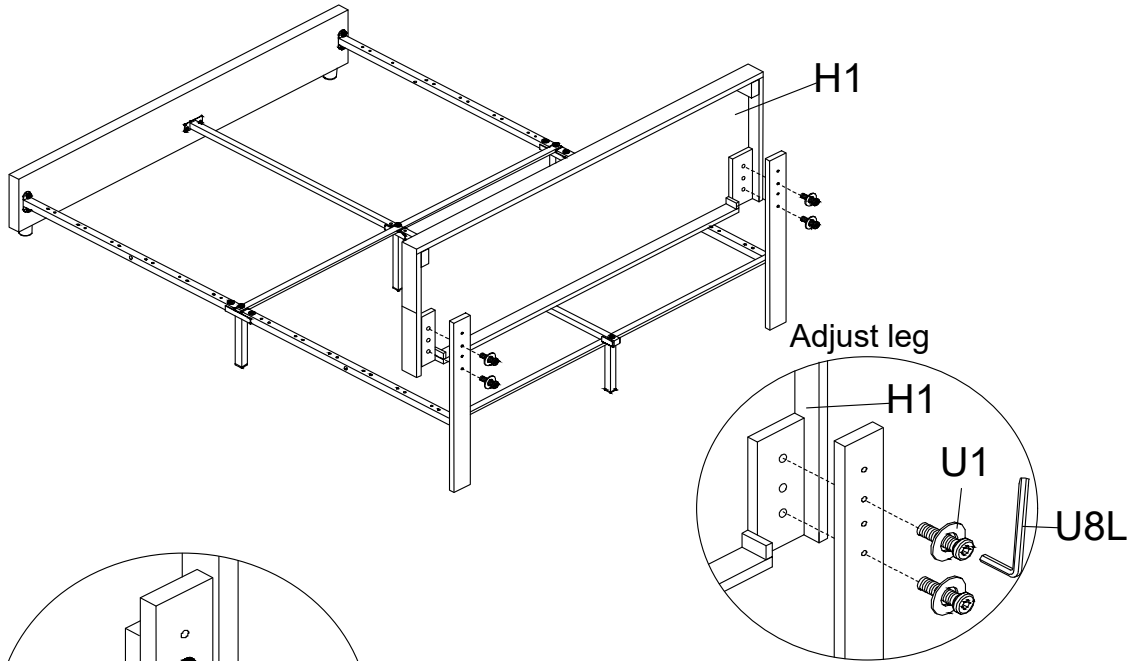


	U1 x 3PCS
	U8L x 1PC

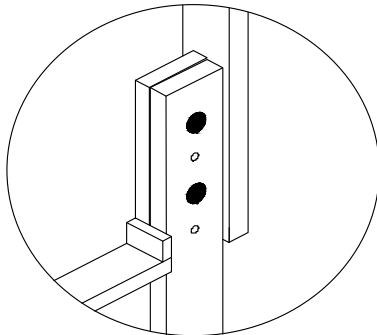
Screws with small round pieces will make the bed more stable.

Assembly Instruction of (Bed)

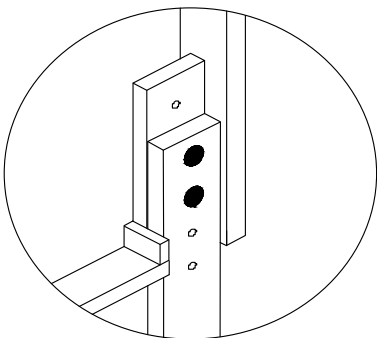
STEP 8 **IMPORTANT** : The washers are crucial for a tight fit. Do not forget to use them with the screws.



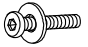

Fits a 8 inch thick mattress when attach screws to these holes



Fits a 10 inch thick mattress when attach screws to these holes

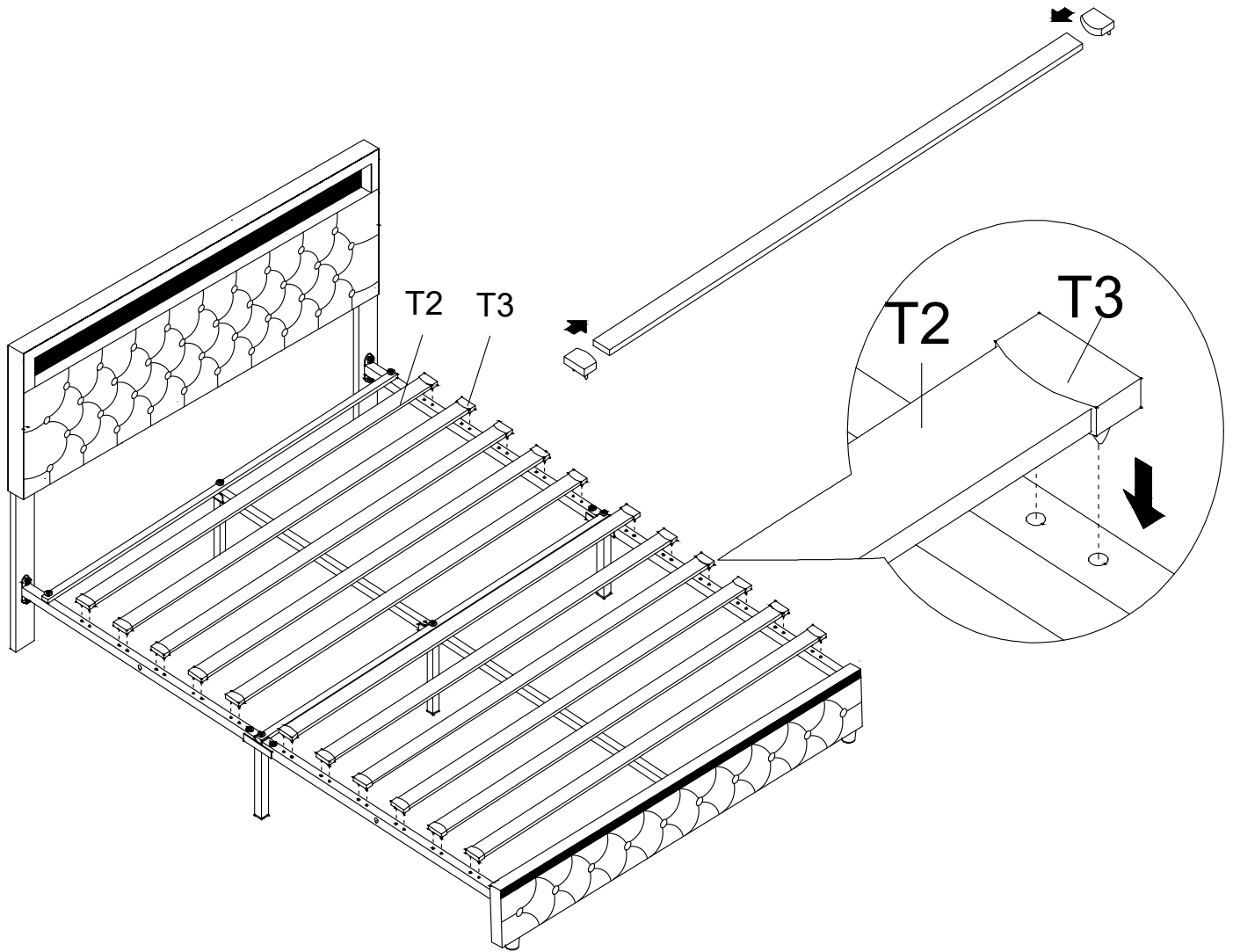


Fits a 12 inch thick mattress when attach screws to these holes

	U1 x 4PCS
	U8L x 1PC

Assembly Instruction of (Bed)

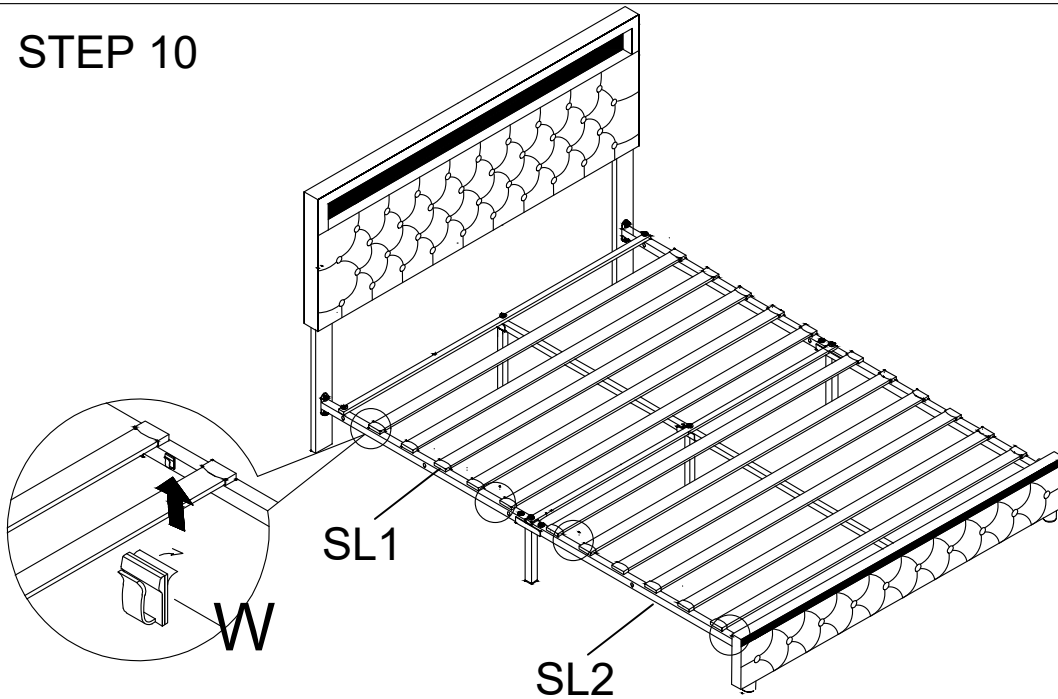
STEP 9



T3 X 22PCS

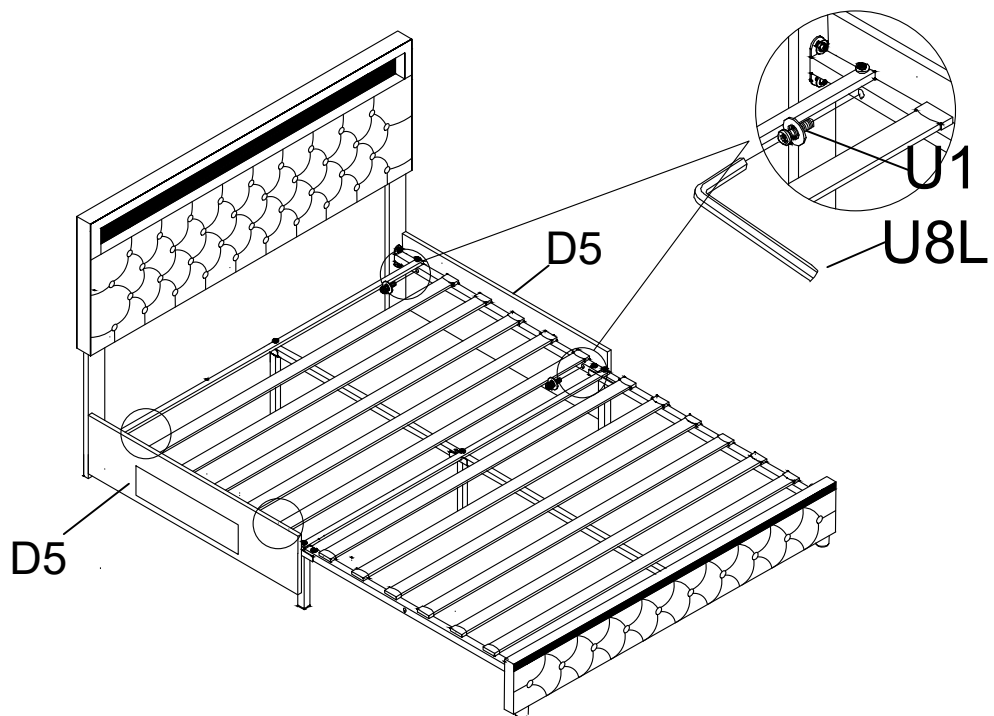
Assembly Instruction of (Bed)

STEP 10



W x 4PCS

STEP 11



U1 x 4PCS



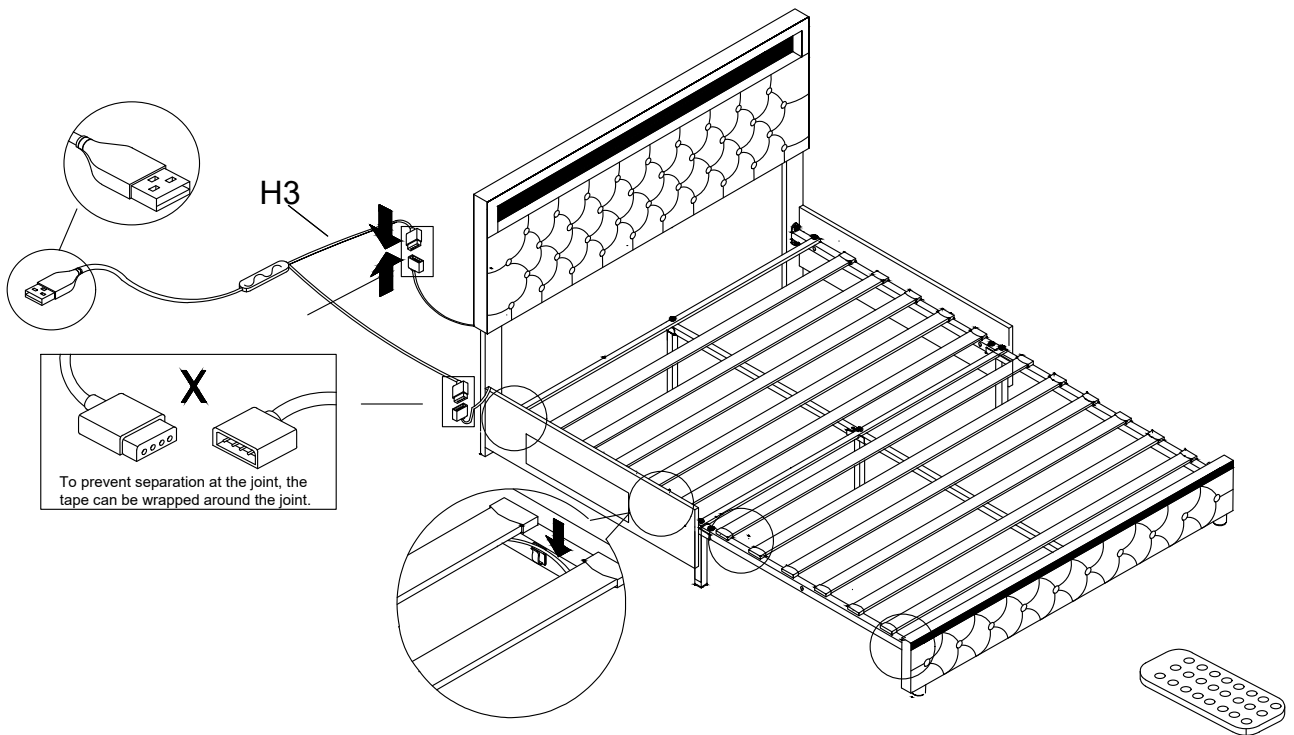
U8L x 1PC

Assembly Instruction of (Bed)

STEP 12

The hocks need to be attached to the inside of the frame

Tips: To prevent separation at the joint, the tape can be wrapped around the joint.



Please scan the QR code on the manual/controller and install the application.

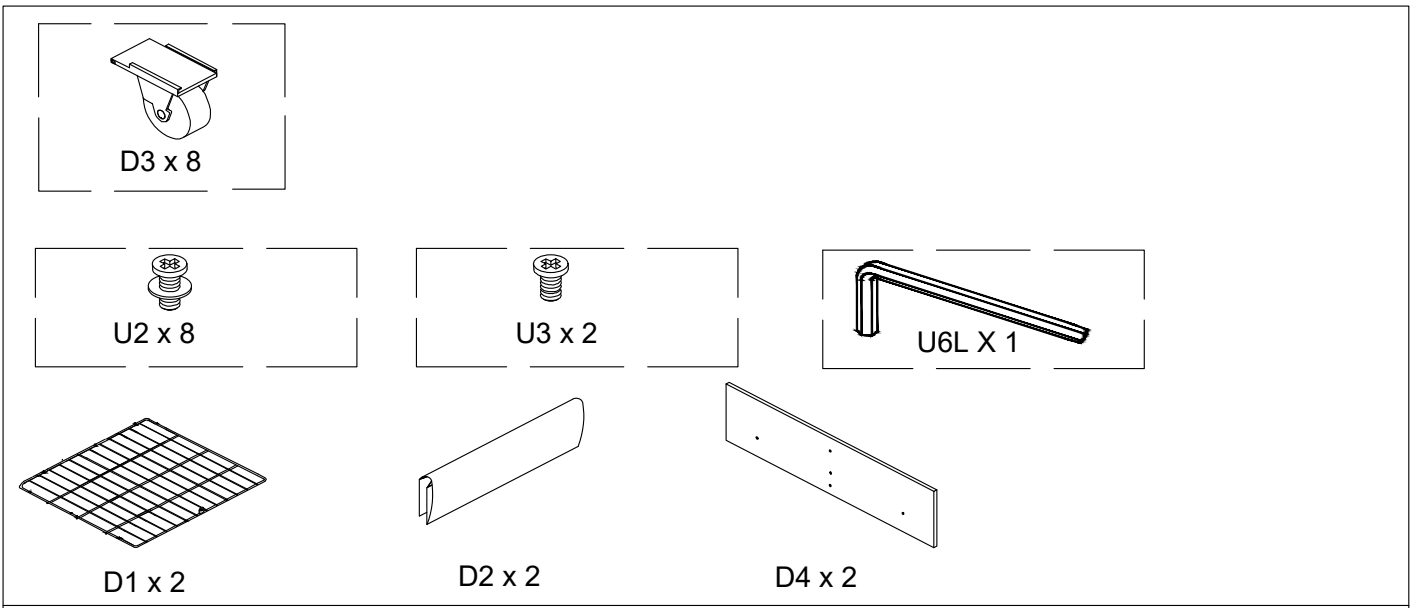
Step 1: Please make sure that Bluetooth is enabled on your device

Step 2: The LED light will automatically connect to the APP

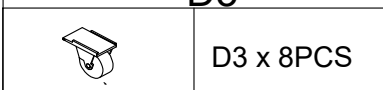
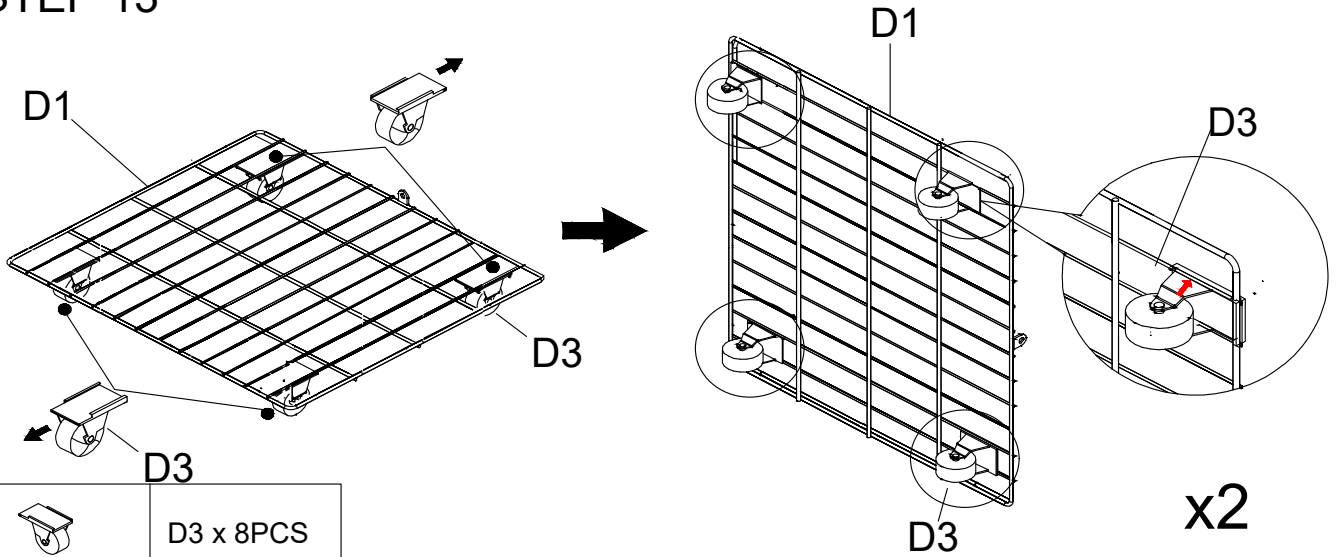


H3 X 1SET

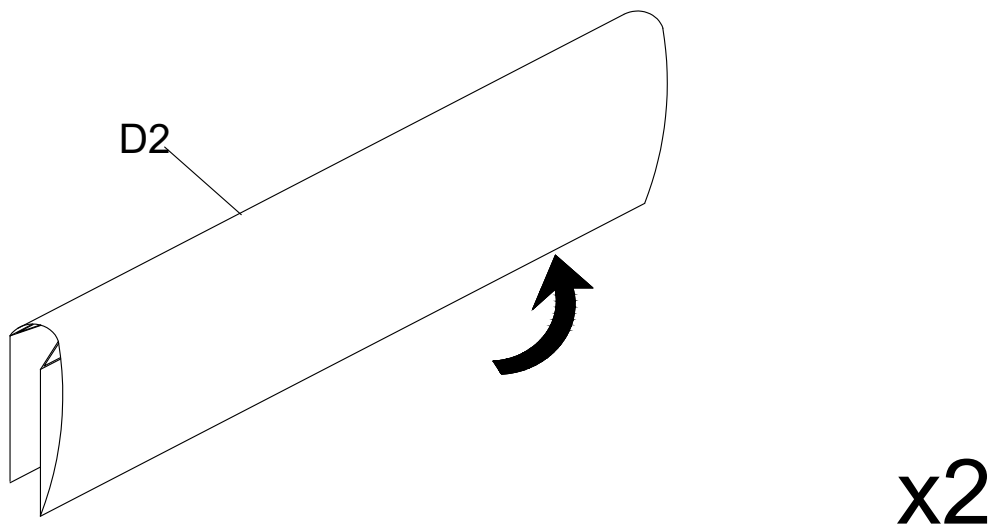
Assembly Instruction of (Drawer)



STEP 13

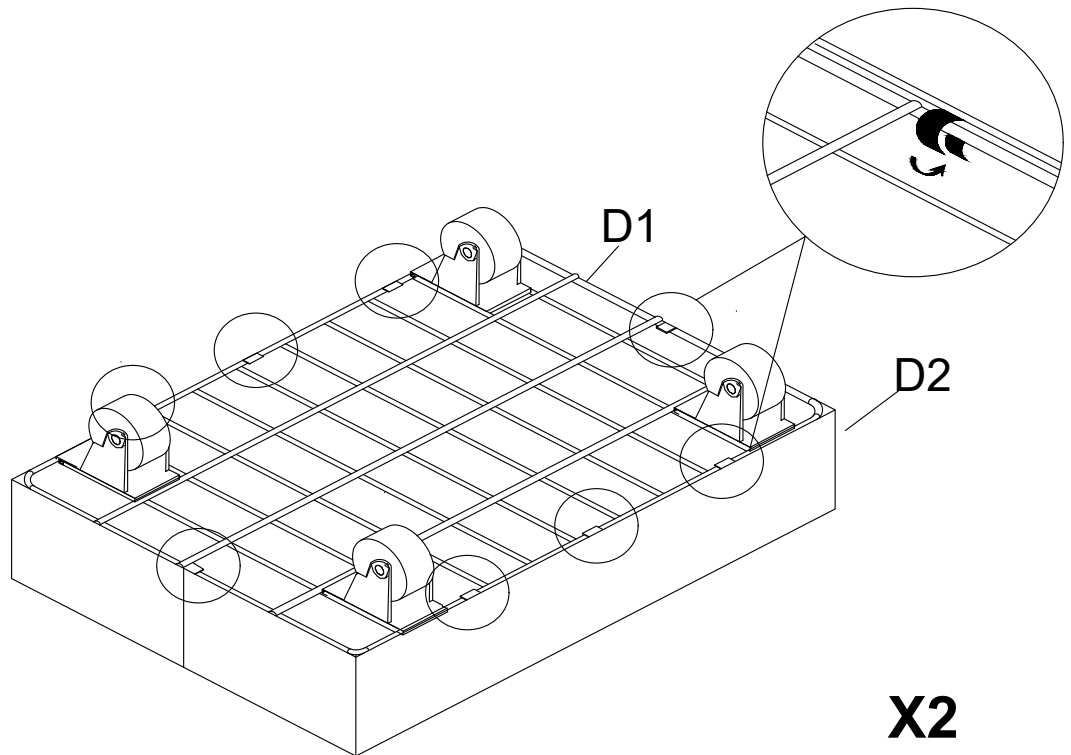


STEP 14

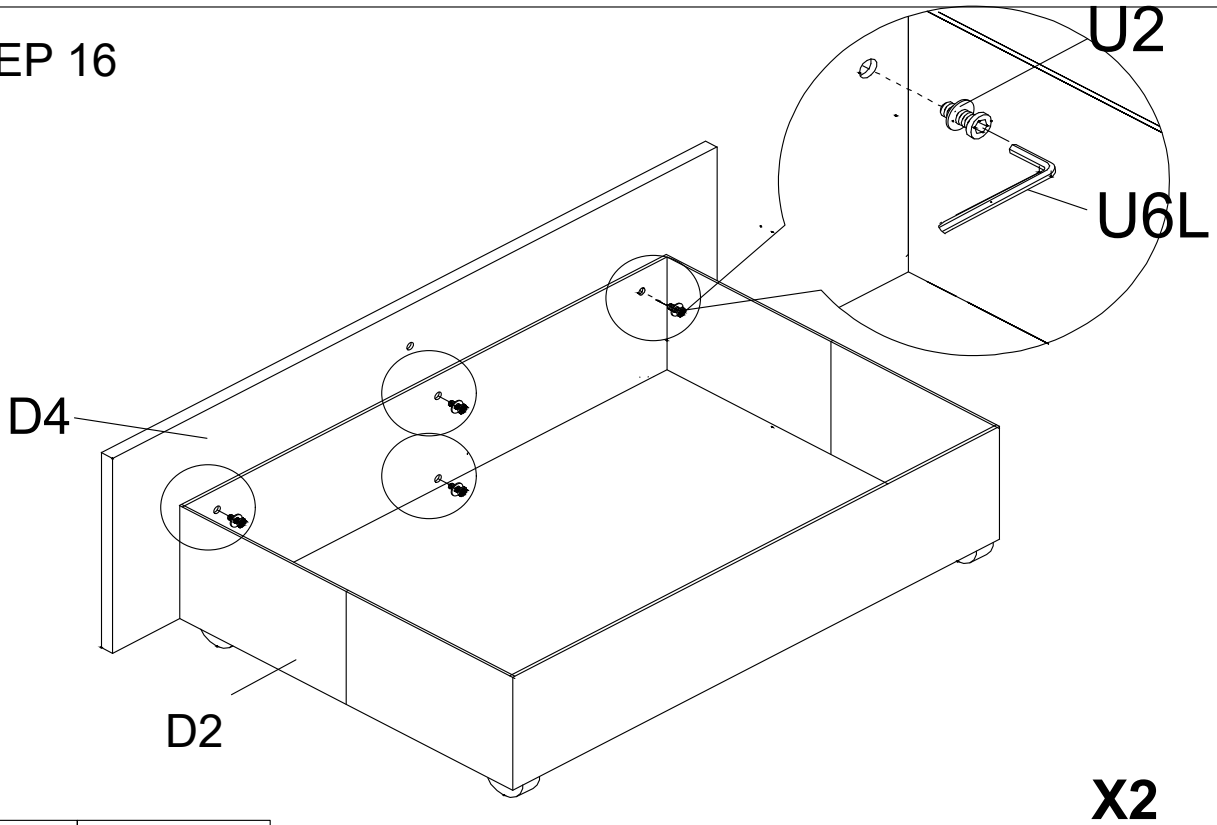




Assembly Instruction of (Drawer)

STEP 15



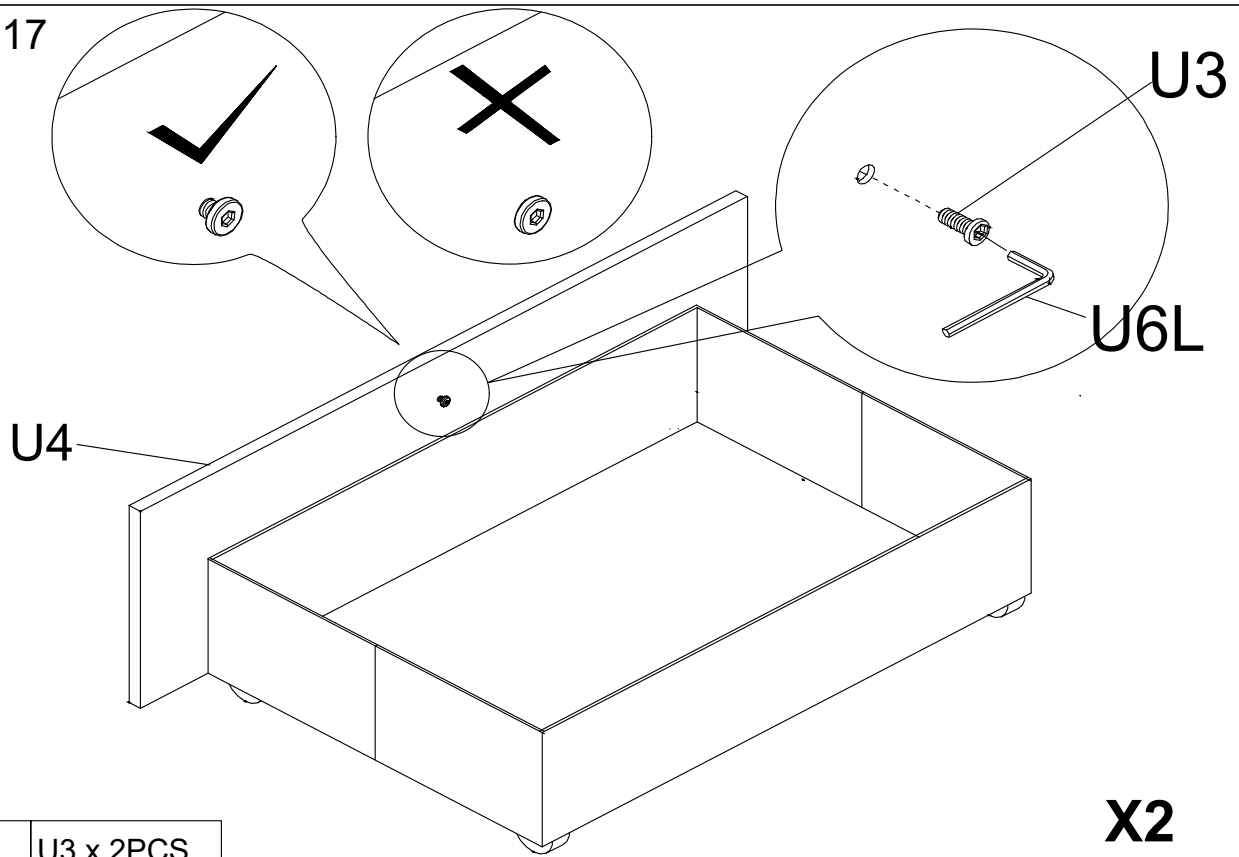
STEP 16





	U2 x 8PCS
	U6L x 1PC

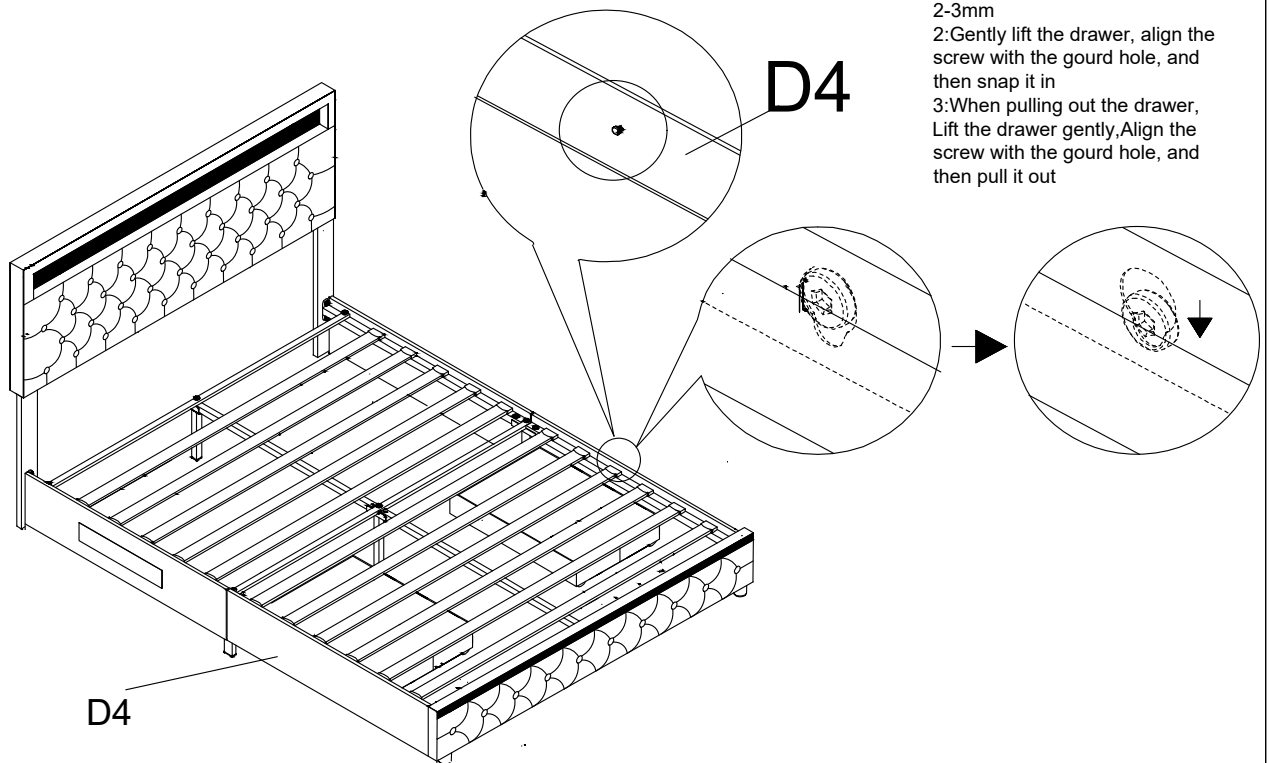
Assembly Instruction of (Drawer)

STEP 17



	U3 x 2PCS
	U6L x 1PC

STEP 18 Drawer panel screw hang into side cross beam hole.



- 1: This screw must be turned out slightly, leaving a distance of 2-3mm
- 2: Gently lift the drawer, align the screw with the gourd hole, and then snap it in
- 3: When pulling out the drawer, Lift the drawer gently, Align the screw with the gourd hole, and then pull it out