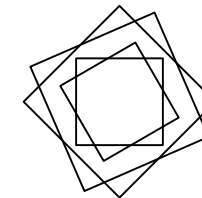
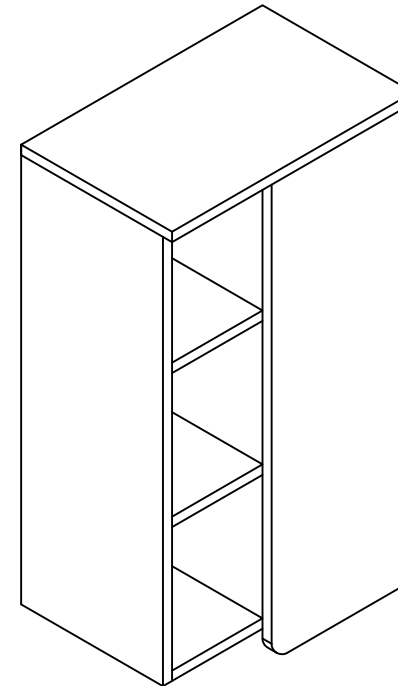


## THANKS FOR WATCHING

Your feedback is invaluable to us and we would love to hear about your experience. Please take the time to leave us a review.


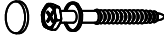
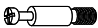
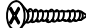





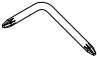


## Thank you for shopping with us!

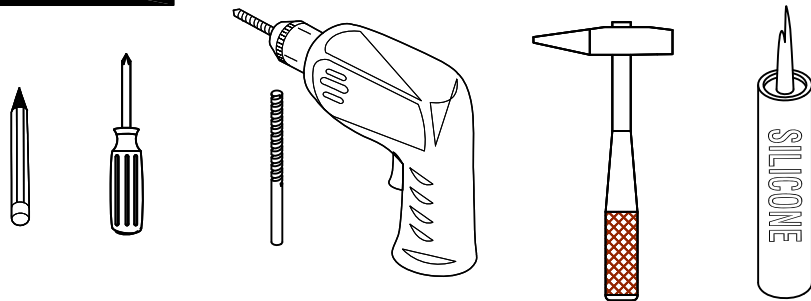
We encourage you to take a few minutes to go through this booklet. It contains important information on installation and care tips to keep your furniture looking as good as new.

# Item NO.:UNOR SC 007 16

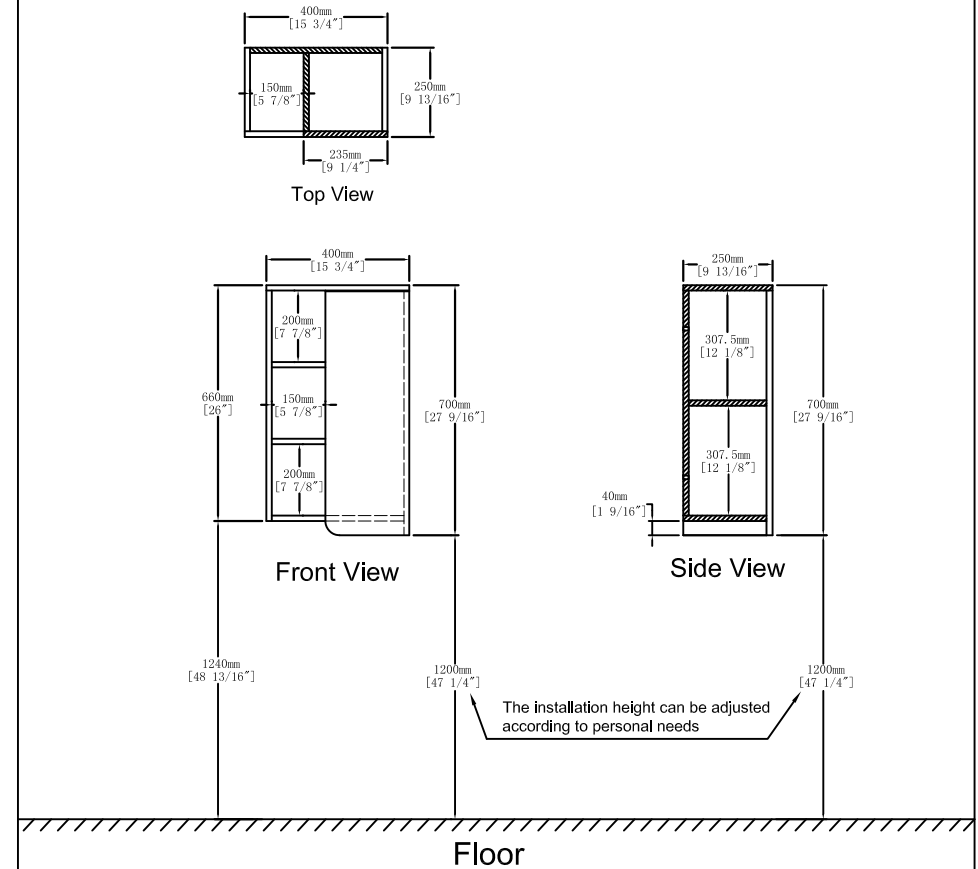
## Hardware

NO.	Draw	QTY	NO.	Draw	QTY
A	 Screws Ø4x14mm	12	F	 Screws for fix on the wall	2
B	 Two-in-one connector	32	G	 Screws Ø4x25mm	3
C	 Two-in-one connector	32	H	 Hinges ( Full cover )	2
D	 Wood plug	12	I	 Anti-collision gasket	2
E	 Plastic anchor(Ø10mm)	2	J	 Screwdriver	1

## Recommended tools



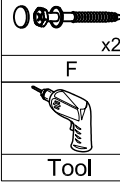
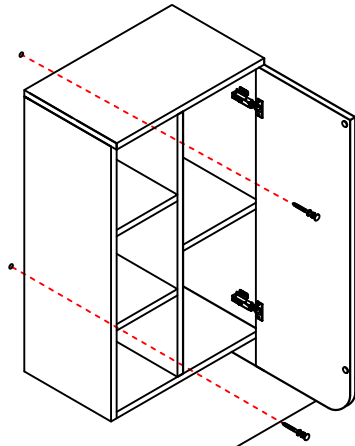
## Dimensions



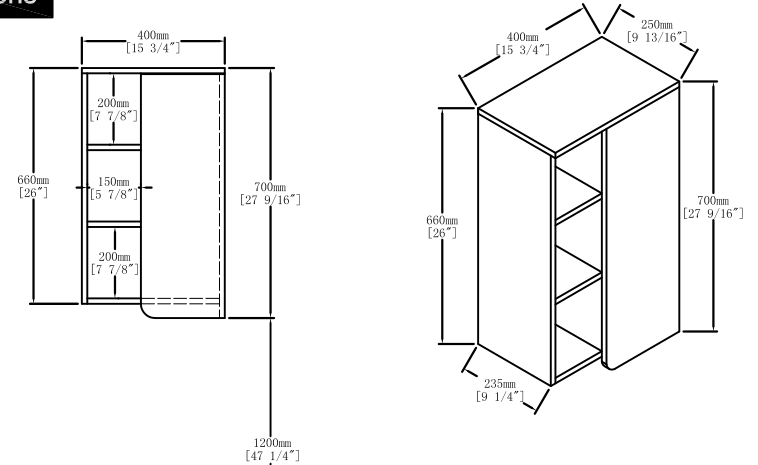
## CARE CLEANING AND MAINTENANCE

1. Dust regularly with a soft , dry cloth.
2. Avoid the use of all chemicals household cleaners, abrasives, or cleaners that contain lemon, vinegar, or other acids that may damage the finish.
3. Excessive exposure to sunlight and extreme changes in temperature and moisture can damage wood furniture.
4. Do not place hot appliances, such as curling irons and hot hair dryers directly on the countertop. Wipe spills immediately.

### Step 13

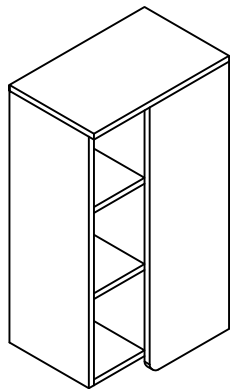


### Dimensions

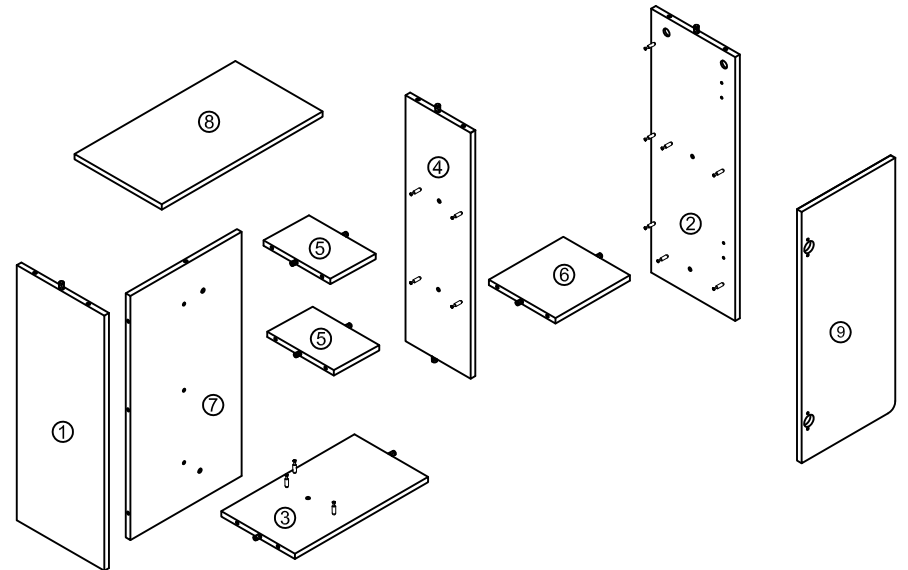


Floor

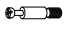



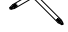
### Finished

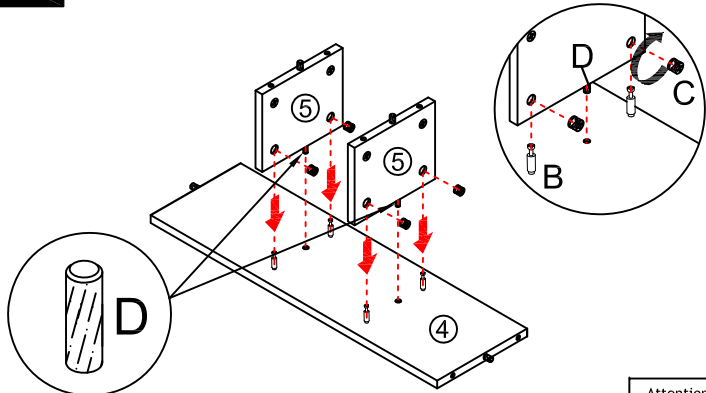


### Components

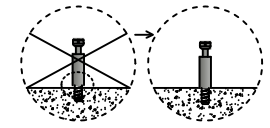
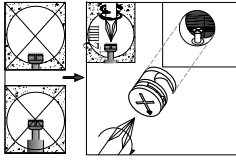


### Step 1

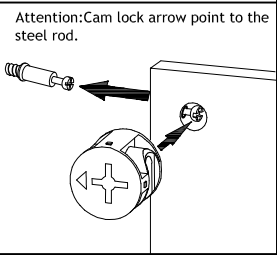
-  x4
-  x4
-  x2
- 
- 



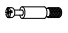


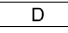
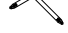
Note: The D parts are used for these two holes

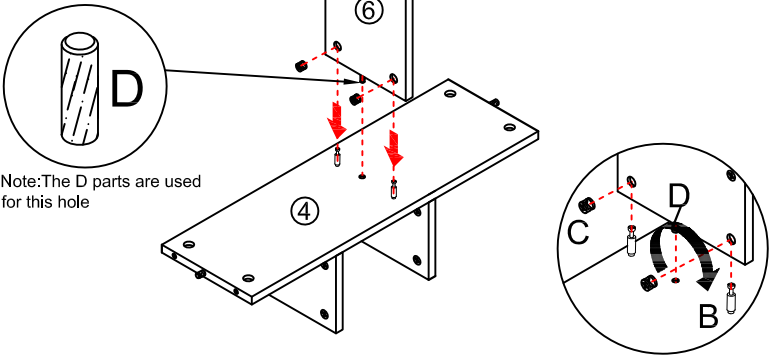


Notes: Screw installation depth as shown

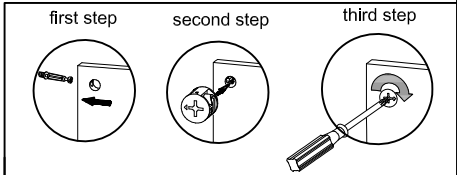
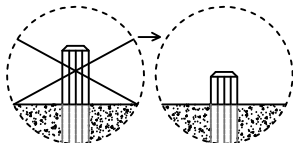


### Step 2


-  x2
-  x2
-  x1
- 
- 

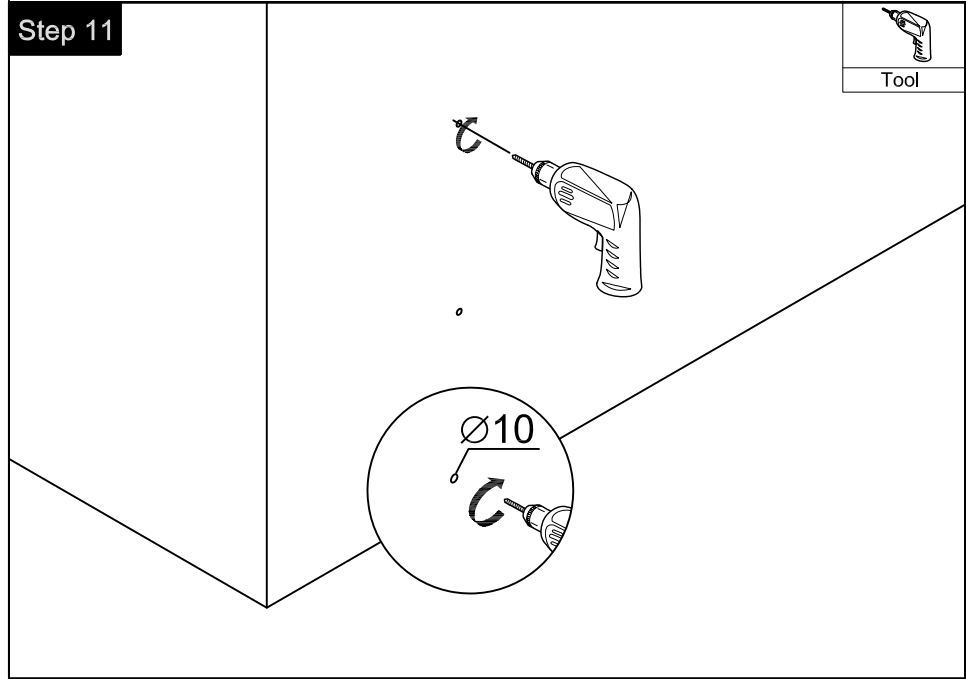


Note: The D parts are used for this hole


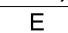
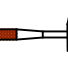


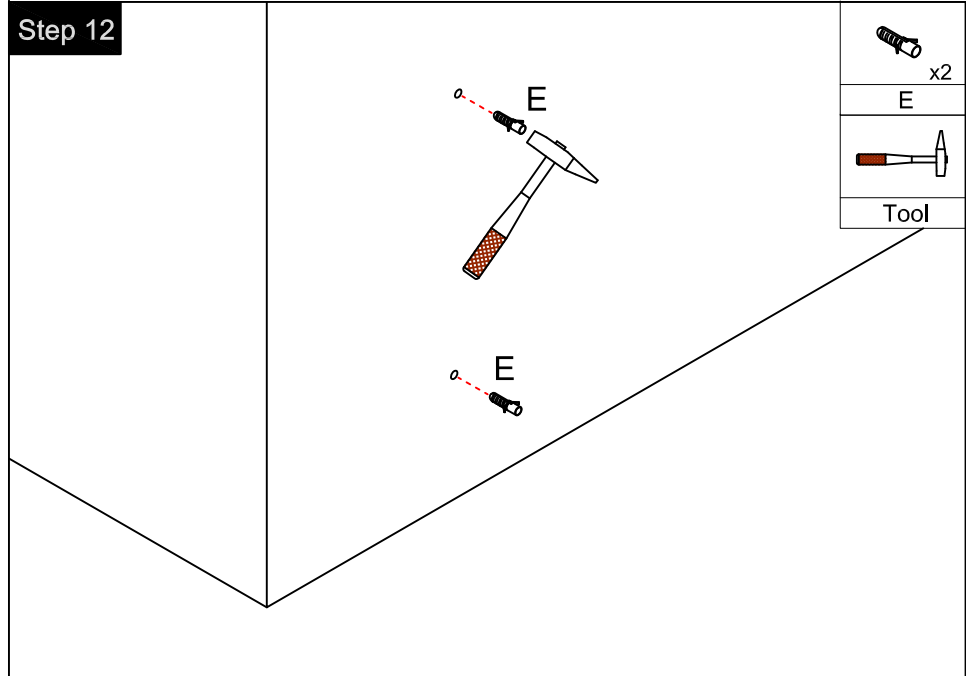
### Step 11

-  Tool

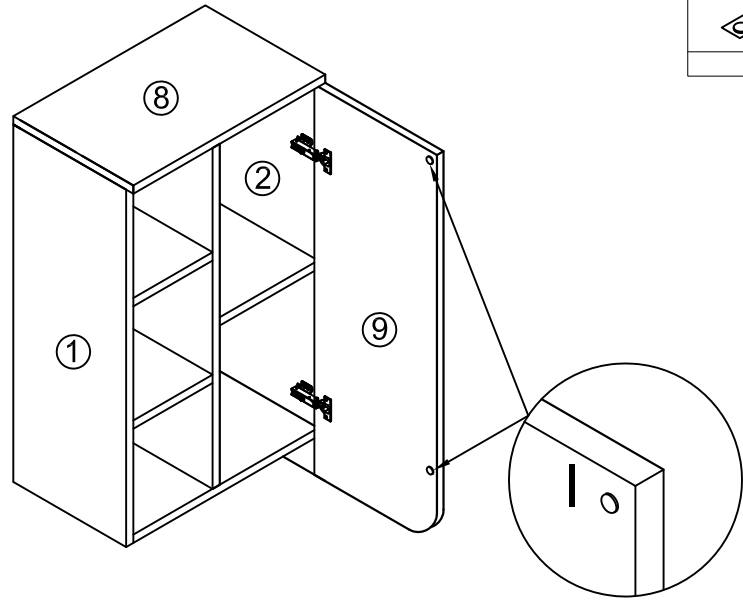


### Step 12

-  x2
- 
-  Tool

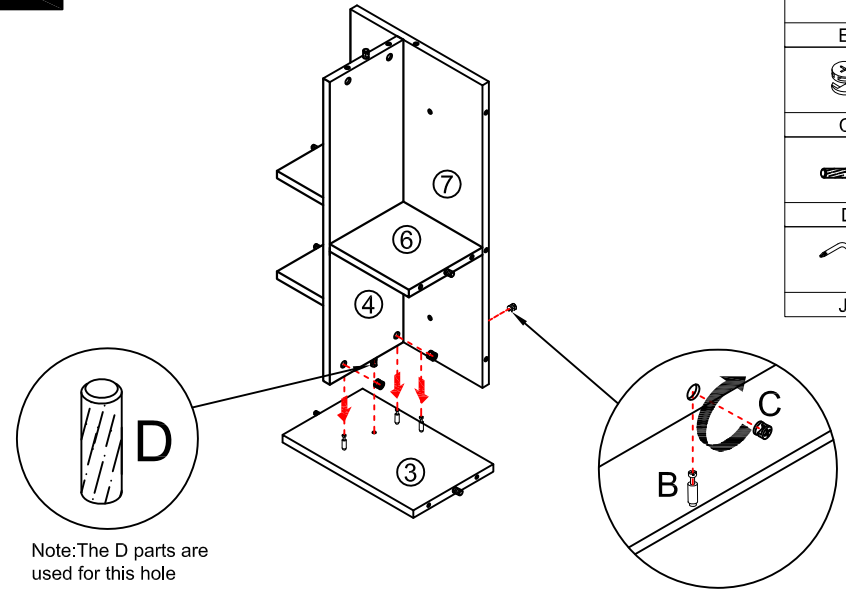


### Step 9



I x2

### Step 3



B x3

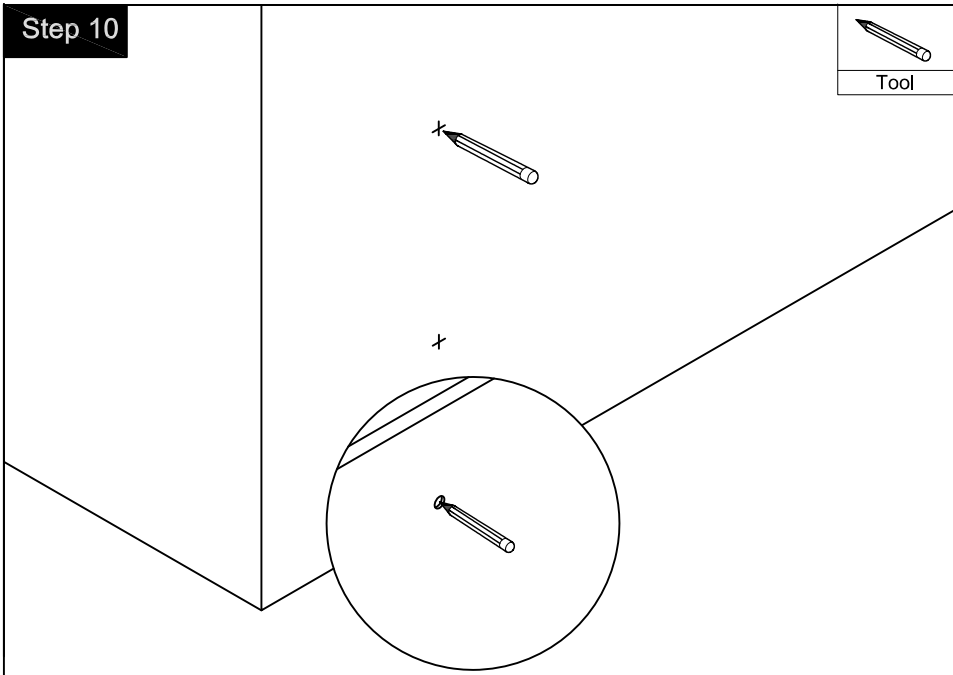
C x3

D x1

J

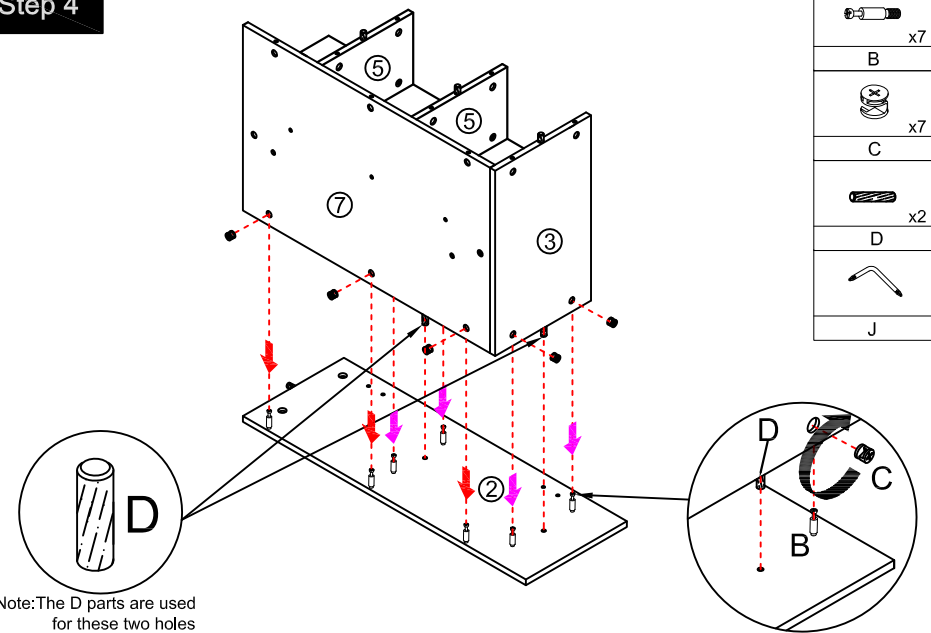
Note: The D parts are used for this hole

### Step 10



Tool

### Step 4



B x7

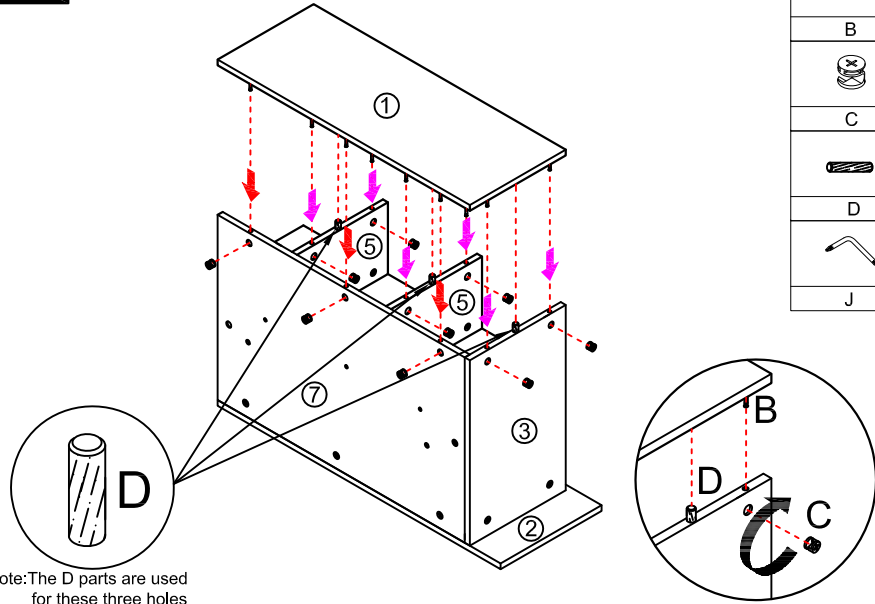
C x7





D x2

J

Note: The D parts are used for these two holes

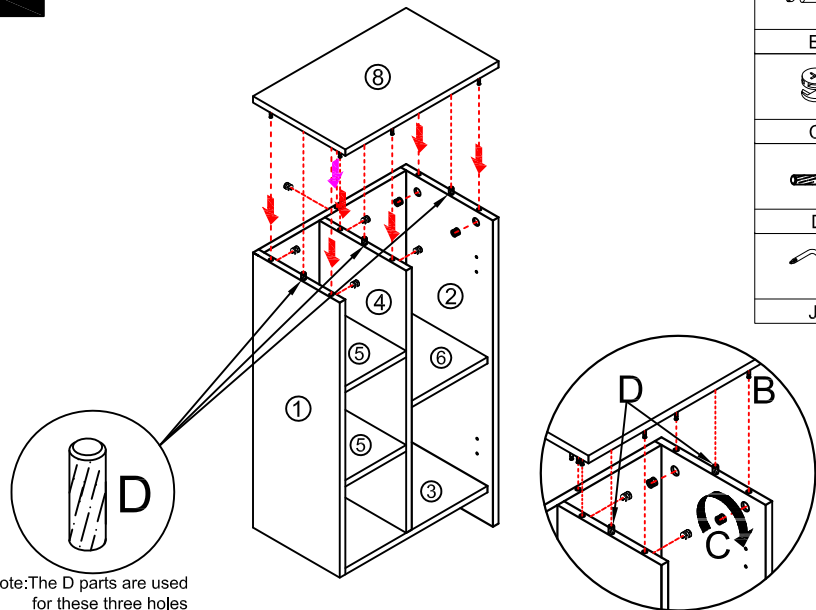
### Step 5







-  x9
-  x9
-  x3
- 

Note: The D parts are used for these three holes

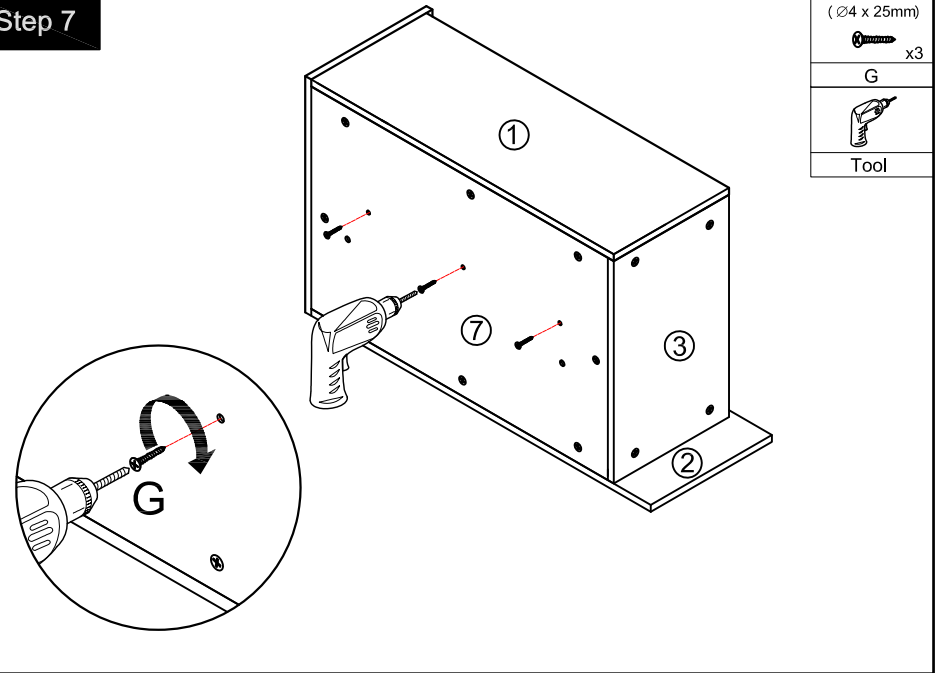
### Step 6





-  x7
-  x7
-  x3
- 

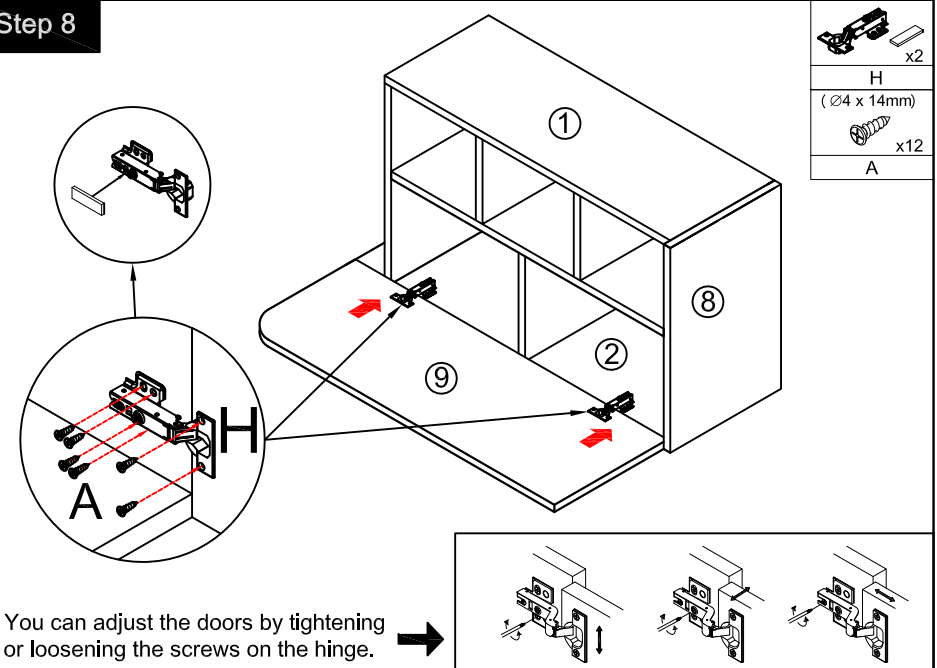
Note: The D parts are used for these three holes



### Step 7



-  (∅4 x 25mm) x3
-  Tool

### Step 8



-  x2
-  (∅4 x 14mm) x12

You can adjust the doors by tightening or loosening the screws on the hinge.

