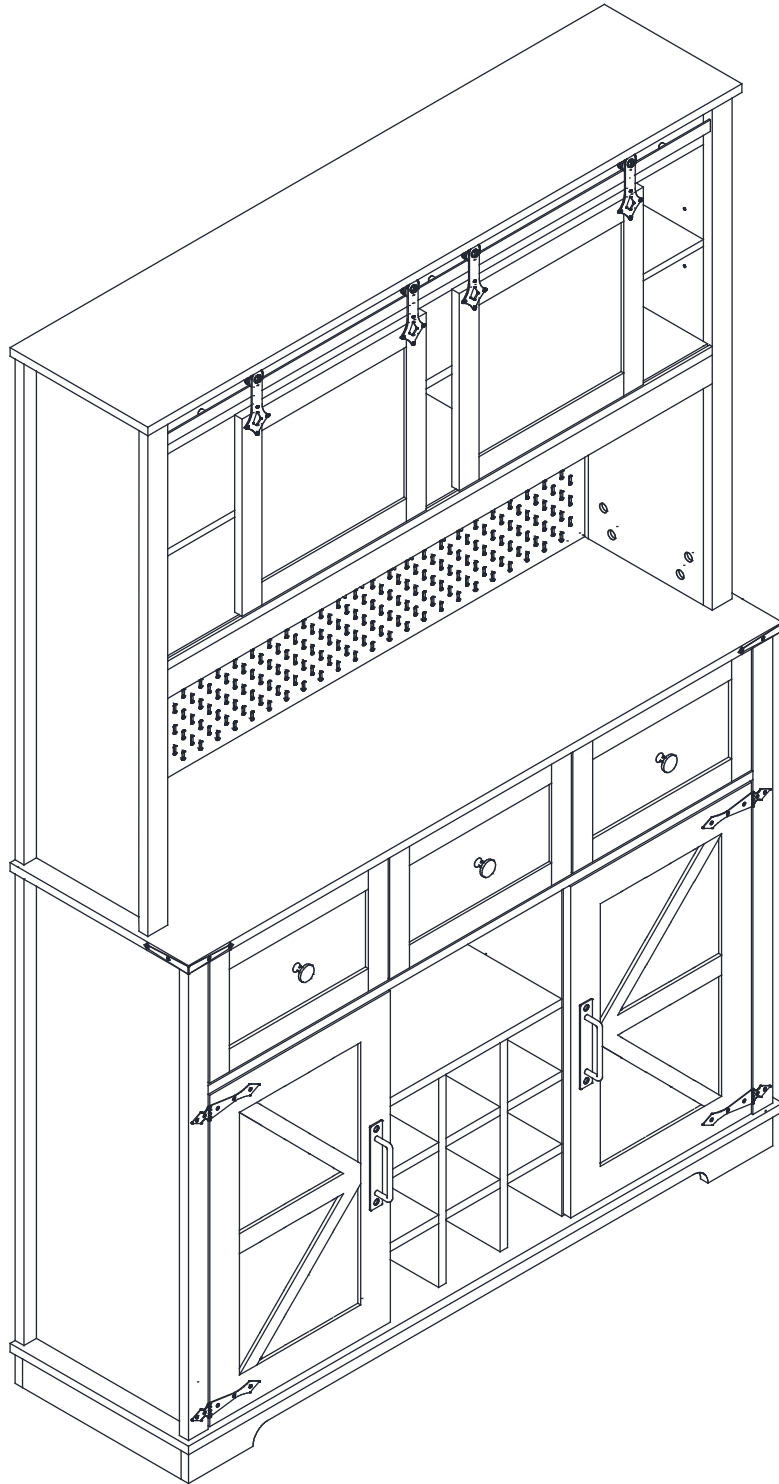


Kitchen Pantry

Assembly Instructions - Please keep for future reference



Important – Please read these instructions fully before starting assembly



Safety and Care Advice

Important – Please read these instructions fully before starting assembly

- Check you have all the components and tools listed on the following pages.
- Remove all fittings from the plastic bags and separate them into their groups.
- Keep children and animals away from the work area, small parts could choke if swallowed.
- Make sure you have enough space to layout the parts before starting.

- During assembly do not stand or put weight on the product, this could cause damage.
- Assemble the item as close to its final position (in the same room) as possible.
- Assemble on a soft level surface to avoid damaging the unit or your floor.
- Parts of the assembly will be easier with 2 people.



power drill is set on a low torque setting.

- To reduce the likelihood of damaging your product please ensure that your

Care and maintenance

- Only clean using a damp cloth and mild detergent, do not use bleach or abrasive cleaners.
- From time to time check that there are no loose screws on this unit.
- This product should not be discarded with household waste. Take to your local authority waste disposal centre.

Handy Hints

- Assemble all parts and bolts loosely during assembly, only once the product is complete should you fully tighten the bolts
- Regularly check and ensure That all bolts and fittings are tightend properly.

WARNING
In order to help prevent overturning – please follow these instructions

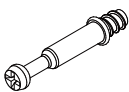



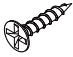

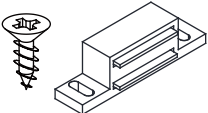
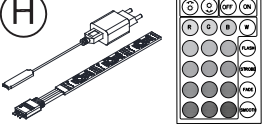


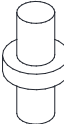

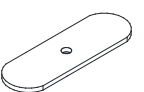

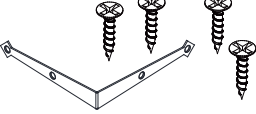
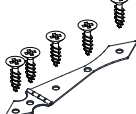
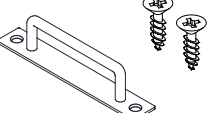

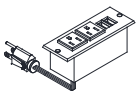
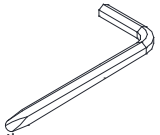



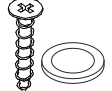
To help prevent product toppling over please follow the below steps:-

- Use the anti tip stap or wall fixing method provided (if applicable)
- Do not allow children to climb or hang on the furniture
- Do not open more than one drawer at a time
- Do not place heavy items in the top drawers
- Do not place heavy items on top of the furniture, unless the furniture has been designed for this purpose

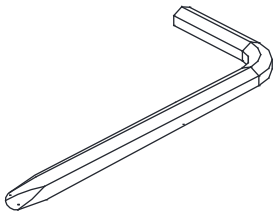
Components - Fittings

Please check you have all the panels listed below

Note: The quantities below are the correct amount to complete the assembly. In some cases, more fittings may be supplied than required.

<p>(A)  Cam Bolt x 123</p>	<p>(B)  Dowel x 90</p>	<p>(C)  Cam lock x 123</p>	<p>(D)  300mm Drawer slide x 6</p>
<p>(E)  3*12mm Screw x 26</p>	<p>(F)  4*35mm Screw x 10</p>	<p>(G)  3*16mm Door stopper x 2SET</p>	<p>(H)  LED light x 1SET</p>
<p>(I)  4*25mm Screw x 13</p>	<p>(J)  6*25mm Screw x 3</p>	<p>(K)  Shelf support pin x 20</p>	<p>(L)  4*12mm Round handle x 3SET</p>
<p>(M)  3*12mm Magnetic sheet x 2SET</p>	<p>(N)  3*12mm Screw x 4SET</p>	<p>(O)  3*12mm Screw x 2SET</p>	<p>(P)  3.5*14mm Screw x 4SET</p>
<p>(Q)  3.5*14mm Long handle x 2SET</p>	<p>(S)  (hook) hitch x 3PCS</p>	<p>(R)  3.5*14mm socket x 1SET</p>	<p>(T)  Allen key x 1</p>
<p>(W)  Iron pipe spring x 4</p>	<p>(V)  Hole sticker x 9</p>	<p>(U)  4*35mm Anti tipping x 2SET</p>	<p>(X)  4*25mm Screw x 4</p>

Tools required



Phillips screwdriver
(medium & large)

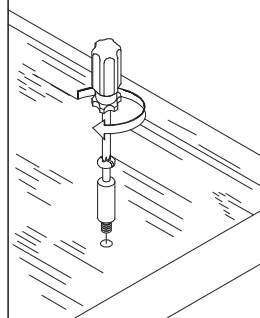
Using Camlocks

Step 1

Connect the male camlock as directed in the assembly instructions using a screwdriver.

1

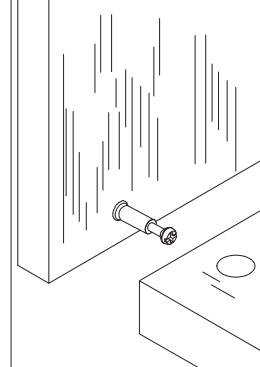
DO NOT OVER TIGHTEN.
NE PAS SERRER EXCESSIVEMENT.



Step 2

Push the male camlock into the entry hole.

2

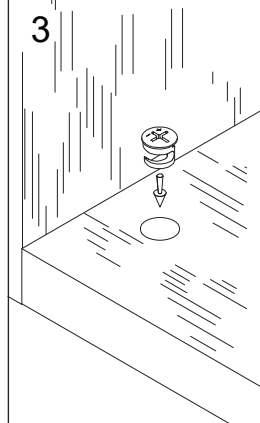


Step 3

Insert the female camlock as shown in the instruction.

Note: ensure that the arrow on the top of the camlock points towards the entry hole for the male camlock.

3



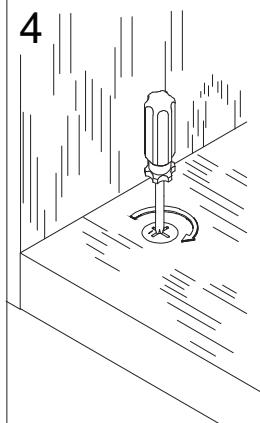
Step 4

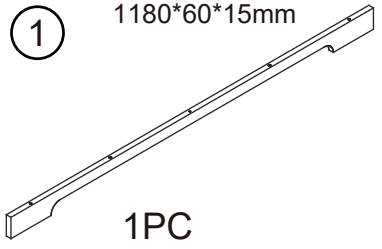
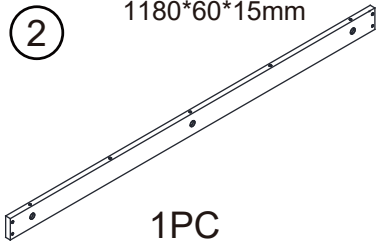
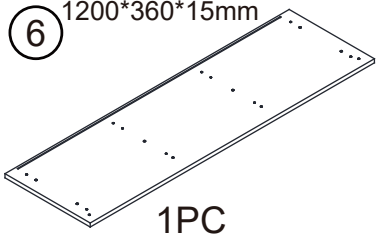
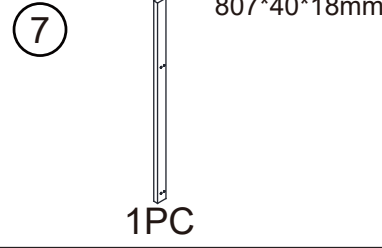
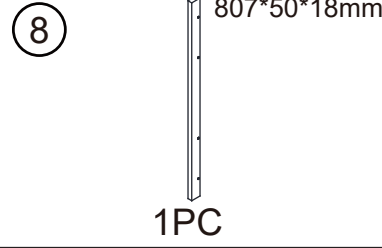
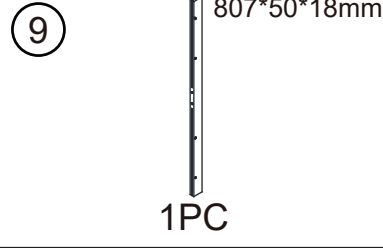
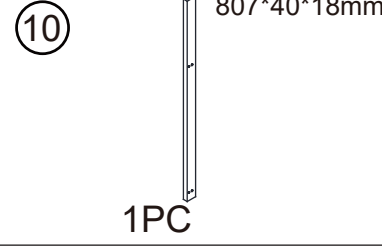
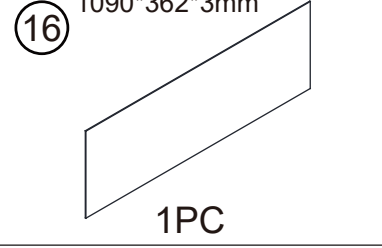
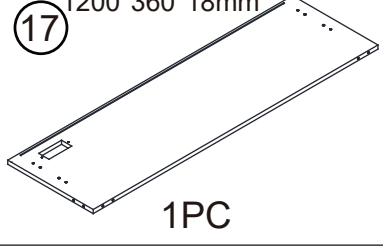
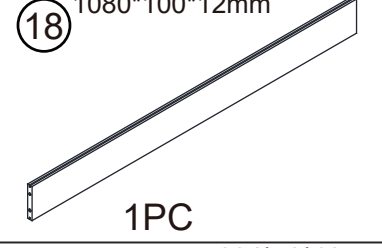
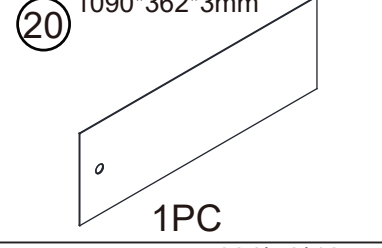
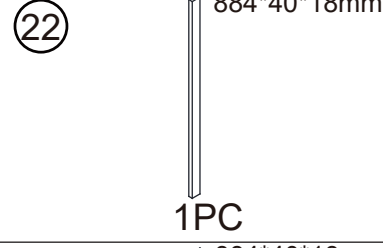
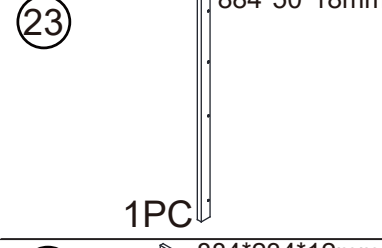
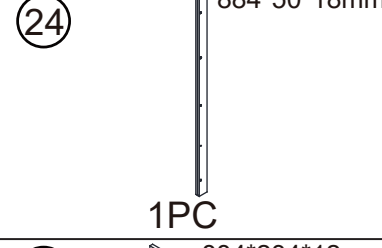
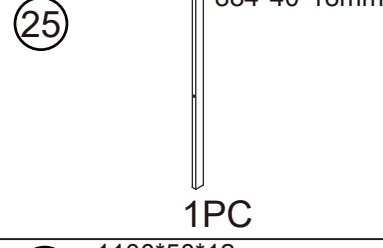
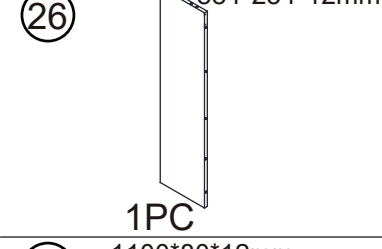
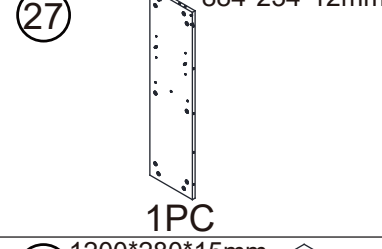
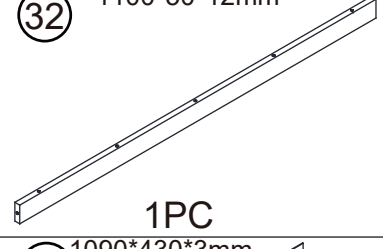
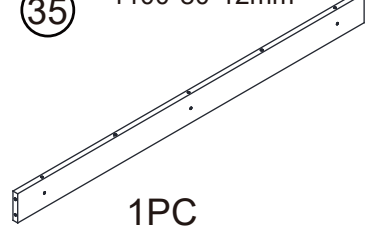
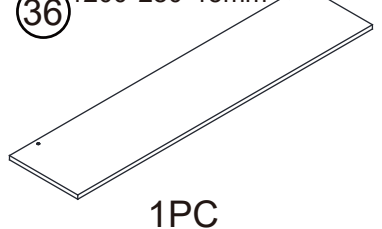
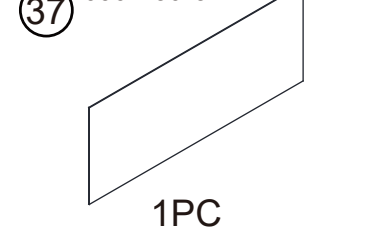
Turn the female camlock clockwise with a screwdriver.

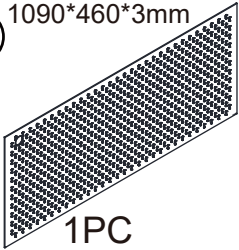
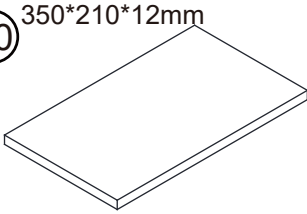
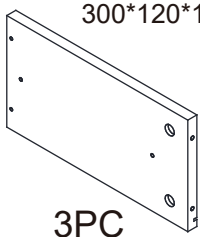
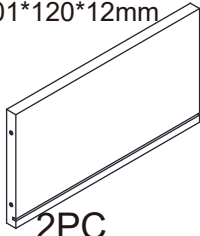
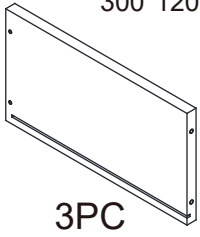

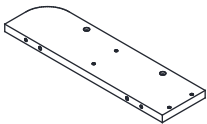
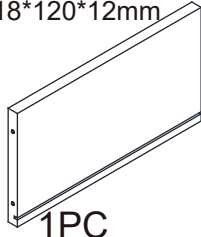
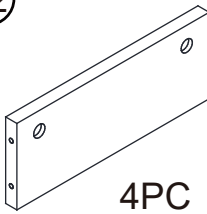
You should feel a click when the camlock is locked in place.

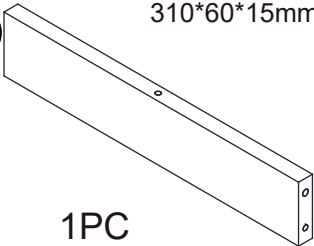
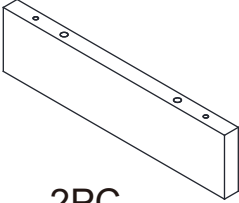
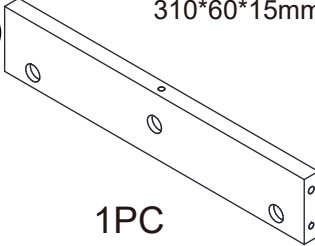




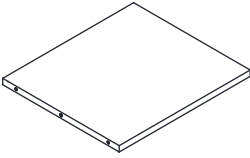
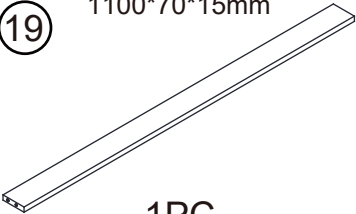
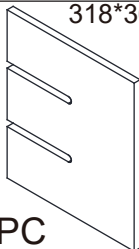
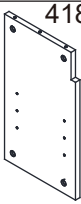

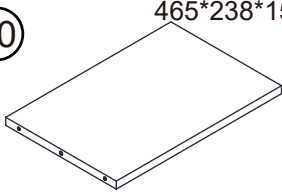
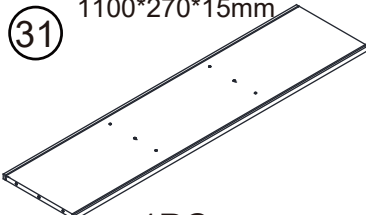
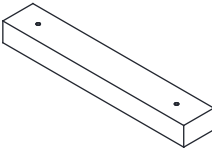
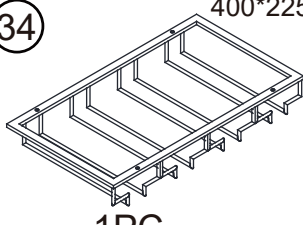
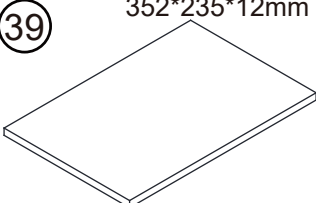
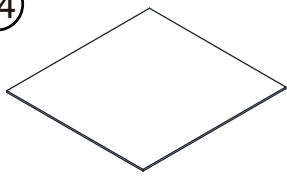
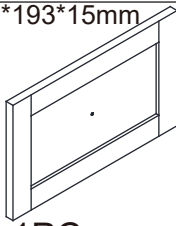
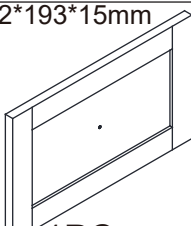
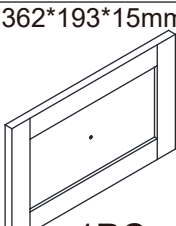
The joint is now secure.

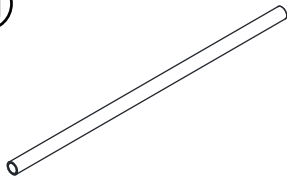
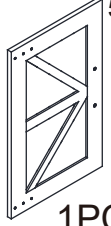
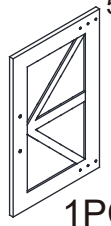
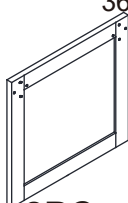
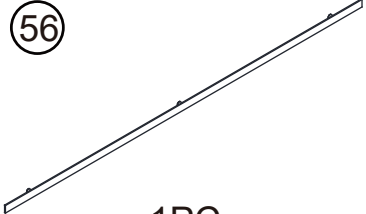
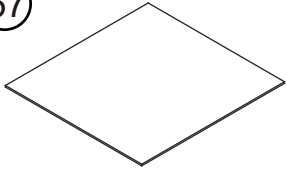

4



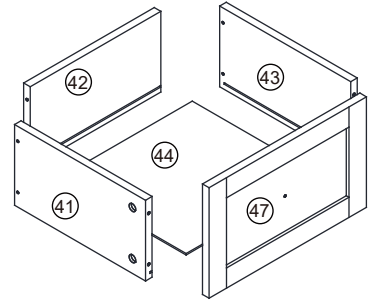
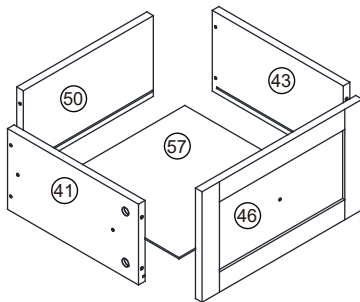
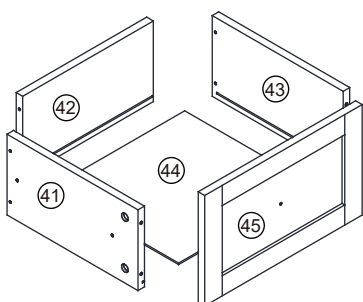
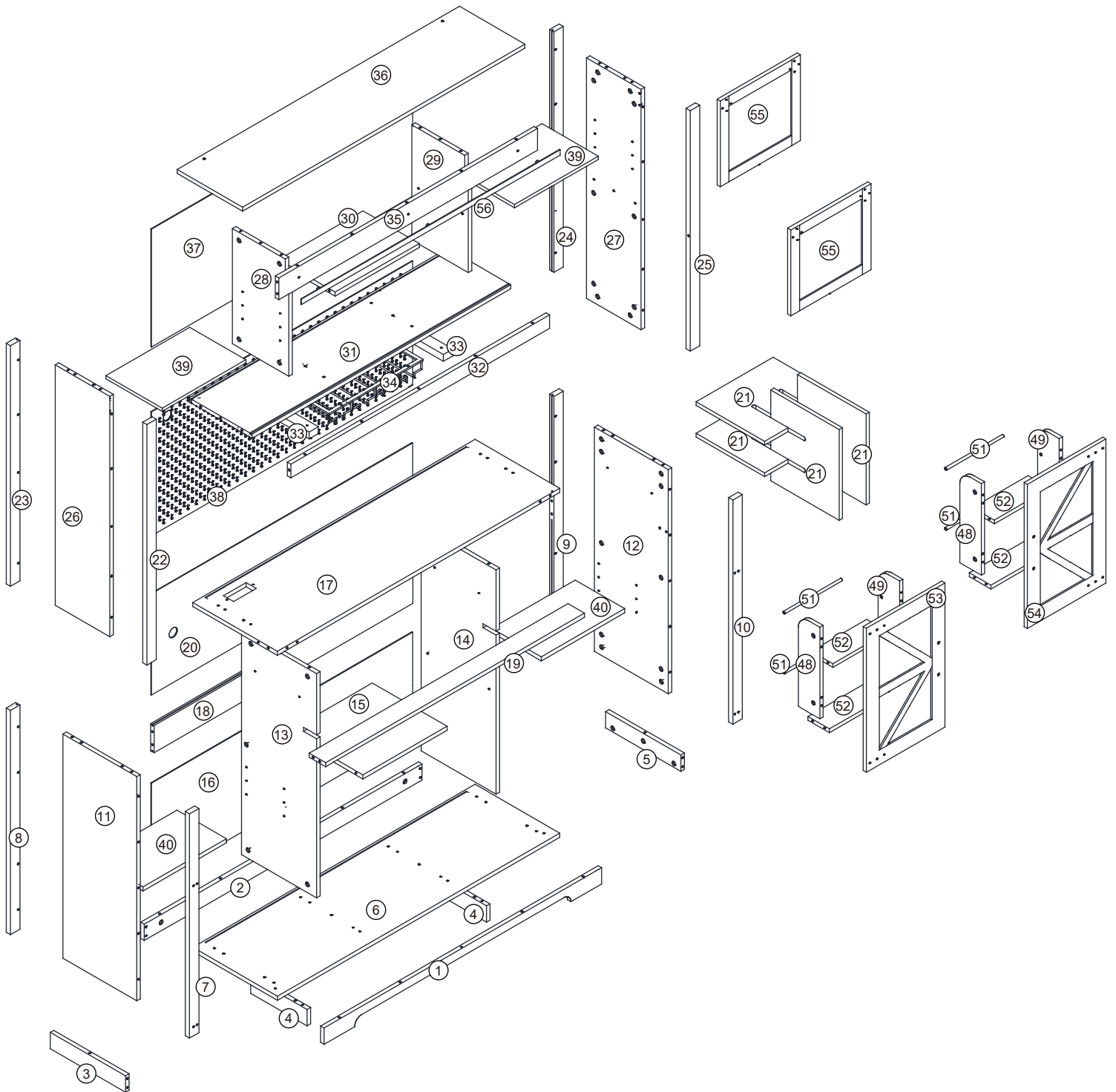
<p>① 1180*60*15mm</p>  <p>1PC</p>	<p>② 1180*60*15mm</p>  <p>1PC</p>	<p>⑥ 1200*360*15mm</p>  <p>1PC</p>
<p>⑦ 807*40*18mm</p>  <p>1PC</p>	<p>⑧ 807*50*18mm</p>  <p>1PC</p>	<p>⑨ 807*50*18mm</p>  <p>1PC</p>
<p>⑩ 807*40*18mm</p>  <p>1PC</p>	<p>⑯ 1090*362*3mm</p>  <p>1PC</p>	<p>⑰ 1200*360*18mm</p>  <p>1PC</p>
<p>⑱ 1080*100*12mm</p>  <p>1PC</p>	<p>⑳ 1090*362*3mm</p>  <p>1PC</p>	<p>㉒ 884*40*18mm</p>  <p>1PC</p>
<p>㉓ 884*50*18mm</p>  <p>1PC</p>	<p>㉔ 884*50*18mm</p>  <p>1PC</p>	<p>㉕ 884*40*18mm</p>  <p>1PC</p>
<p>㉖ 884*234*12mm</p>  <p>1PC</p>	<p>㉗ 884*234*12mm</p>  <p>1PC</p>	<p>㉘ 1100*50*12mm</p>  <p>1PC</p>
<p>㉚ 1100*80*12mm</p>  <p>1PC</p>	<p>㉛ 1200*280*15mm</p>  <p>1PC</p>	<p>㉜ 1090*430*3mm</p>  <p>1PC</p>

<p>③⑧ 1090*460*3mm</p>  <p>1PC</p>	<p>④⑩ 350*210*12mm</p>  <p>2PC</p>	<p>④① 300*120*12mm</p>  <p>3PC</p>
<p>④② 301*120*12mm</p>  <p>2PC</p>	<p>④③ 300*120*12mm</p>  <p>3PC</p>	<p>④⑧ 400*100*12mm</p>  <p>2PC</p>
<p>④⑨ 400*100*12mm</p>  <p>2PC</p>	<p>⑤① 318*120*12mm</p>  <p>1PC</p>	<p>⑤② 266*100*12mm</p>  <p>4PC</p>

<p>③ 310*60*15mm</p>  <p>1PC</p>	<p>④ 200*60*15mm</p>  <p>2PC</p>	<p>⑤ 310*60*15mm</p>  <p>1PC</p>
<p>⑪ 807*314*12mm</p>  <p>1PC</p>	<p>⑫ 807*314*12mm</p>  <p>1PC</p>	<p>⑬ 807*320*15mm</p>  <p>1PC</p>
<p>⑭ 807*320*15mm</p>  <p>1PC</p>	<p>⑮ 366*320*15mm</p>  <p>1PC</p>	<p>⑲ 1100*70*15mm</p>  <p>1PC</p>
<p>⑳ 318*365*9mm</p>  <p>4PC</p>	<p>㉘ 418*238*15mm</p>  <p>1PC</p>	<p>㉙ 418*238*15mm</p>  <p>1PC</p>
<p>㉚ 465*238*15mm</p>  <p>1PC</p>	<p>㉛ 1100*270*15mm</p>  <p>1PC</p>	<p>㉜ 240*41*25mm</p>  <p>2PC</p>
<p>㉝ 400*225mm</p>  <p>1PC</p>	<p>㉞ 352*235*12mm</p>  <p>2PC</p>	<p>㉟ 297*312*3mm</p>  <p>2PC</p>
<p>㊱ 362*193*15mm</p>  <p>1PC</p>	<p>㊲ 362*193*15mm</p>  <p>1PC</p>	<p>㊳ 362*193*15mm</p>  <p>1PC</p>

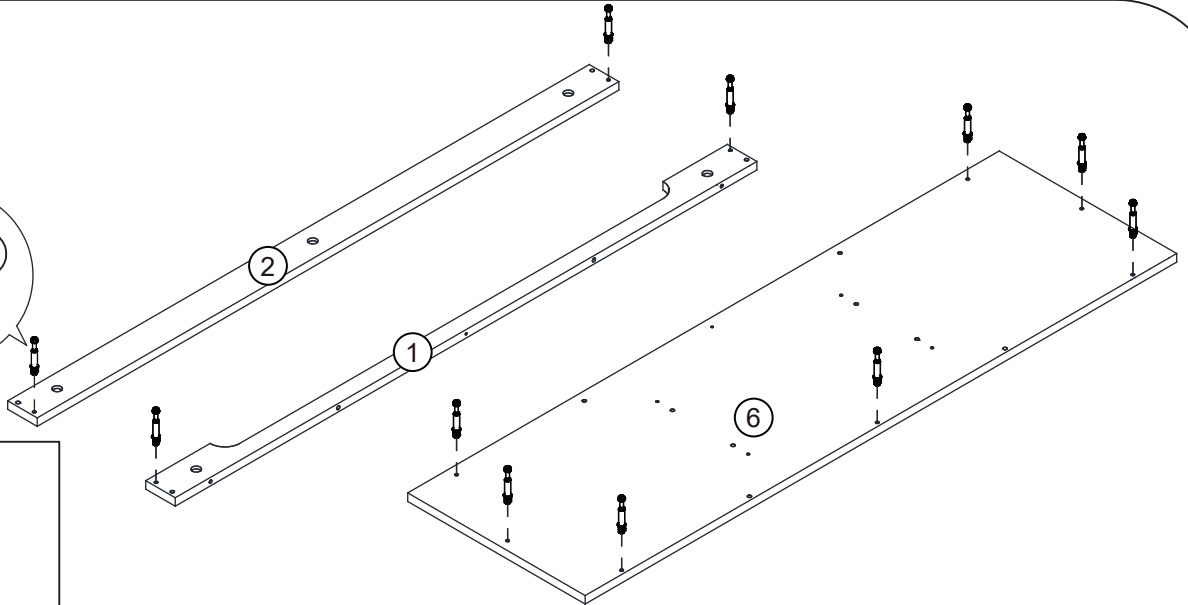
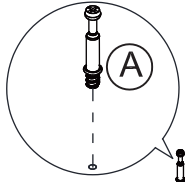
<p>(51) 10*276mm</p>  <p>4PC</p>	<p>(53) 586*361*15mm</p>  <p>1PC</p>	<p>(54) 586*361*15mm</p>  <p>1PC</p>
<p>(55) 365*344*15mm</p>  <p>2PC</p>	<p>(56)</p>  <p>1PC</p>	<p>(57) 297*322*3mm</p>  <p>1PC</p>
 <p>Hardware Kit</p> <p>1PC</p>		

Assembly Instructions

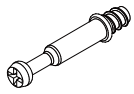


Assembly Instructions

Step 1

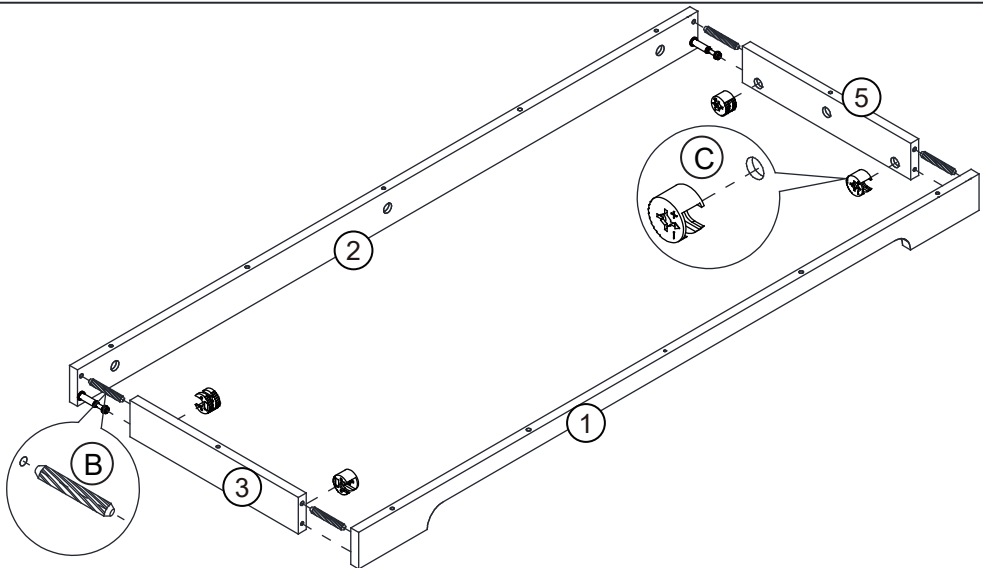


(A)



Cam Bolt x11

Step 2

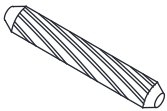


(C)



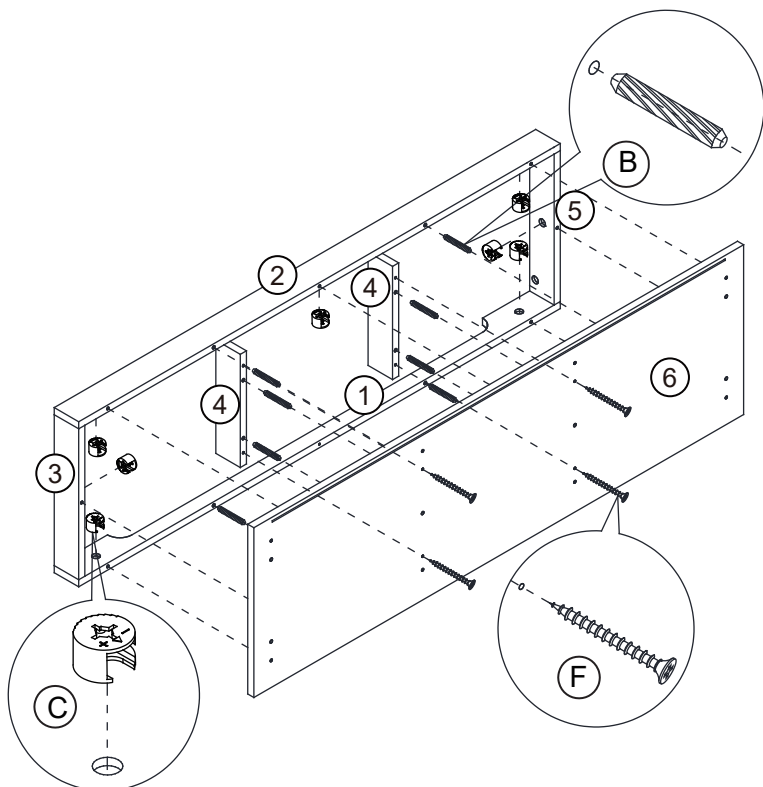
Cam lock x 4

(B)



Dowel x 4

Step 3



(F)



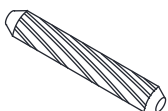
4*35mm Screw x 4

(C)



Cam lock x 7

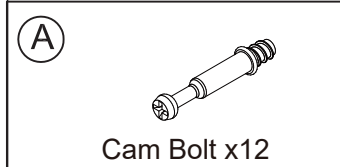
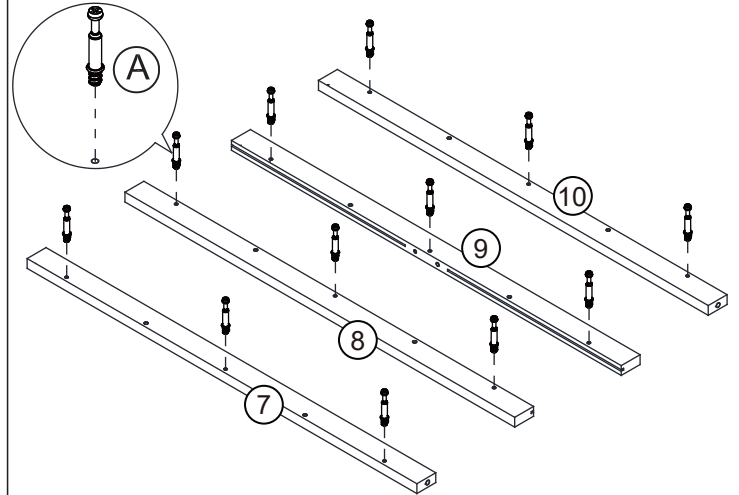
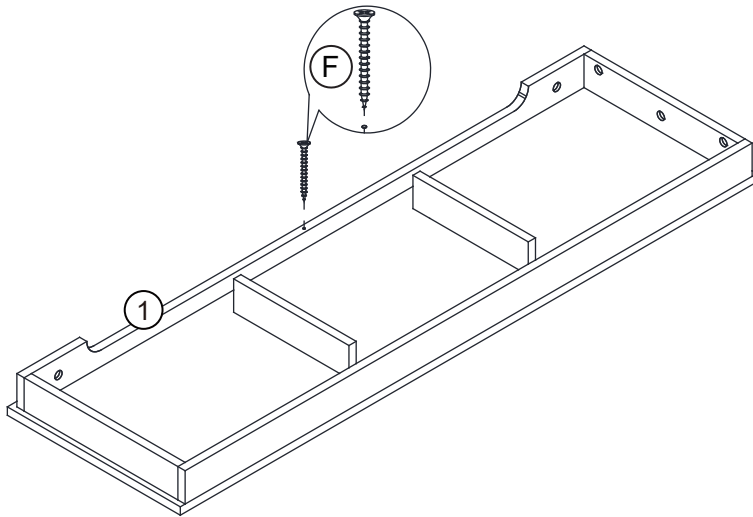
(B)



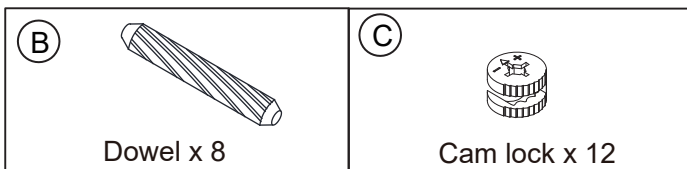
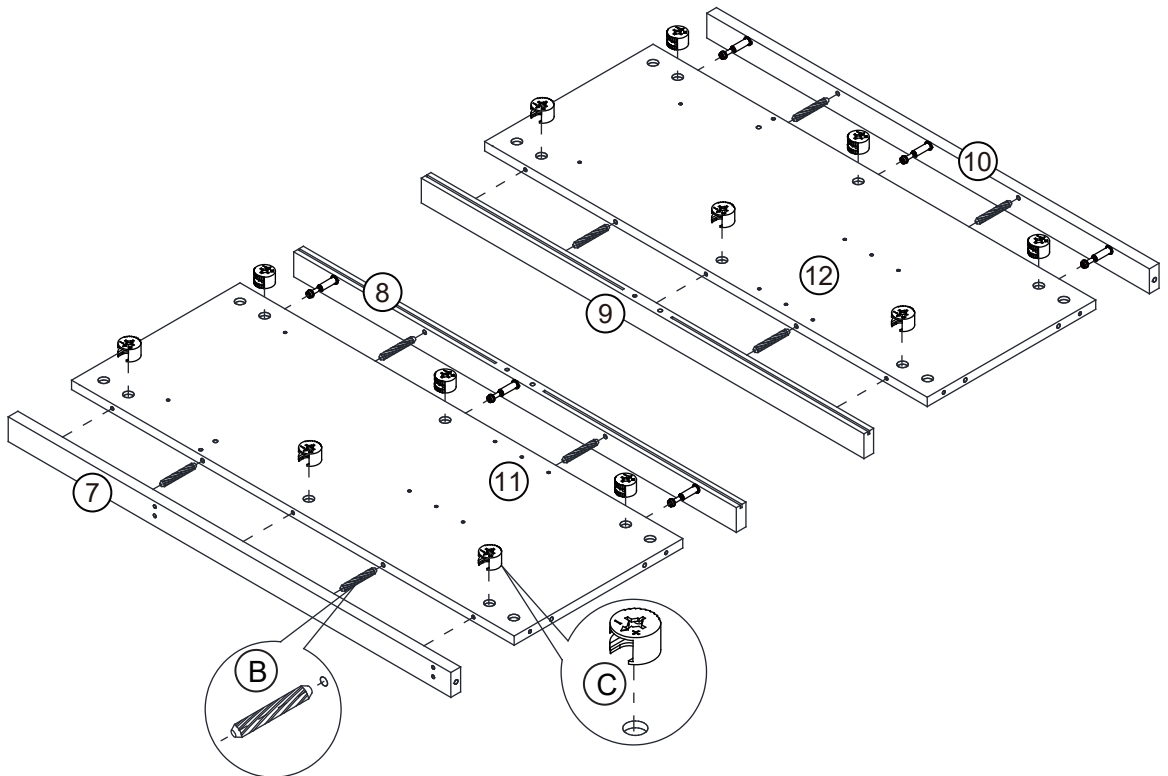
Dowel x 8

Assembly Instructions

Step 4

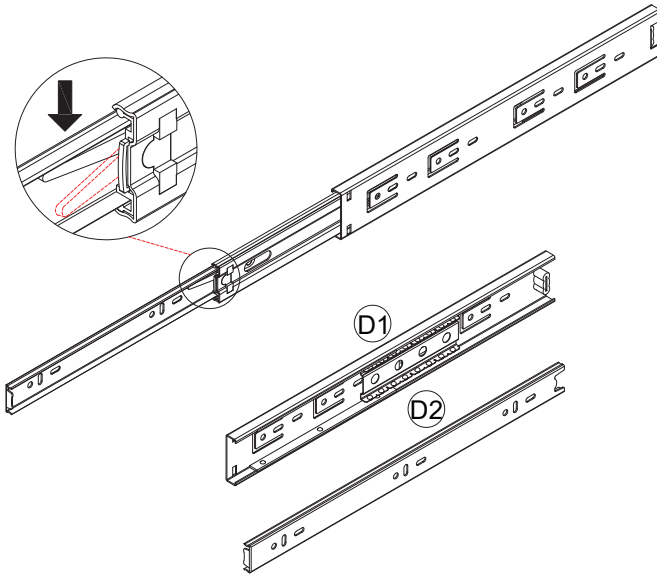


Step 5



Assembly Instructions

Step 6

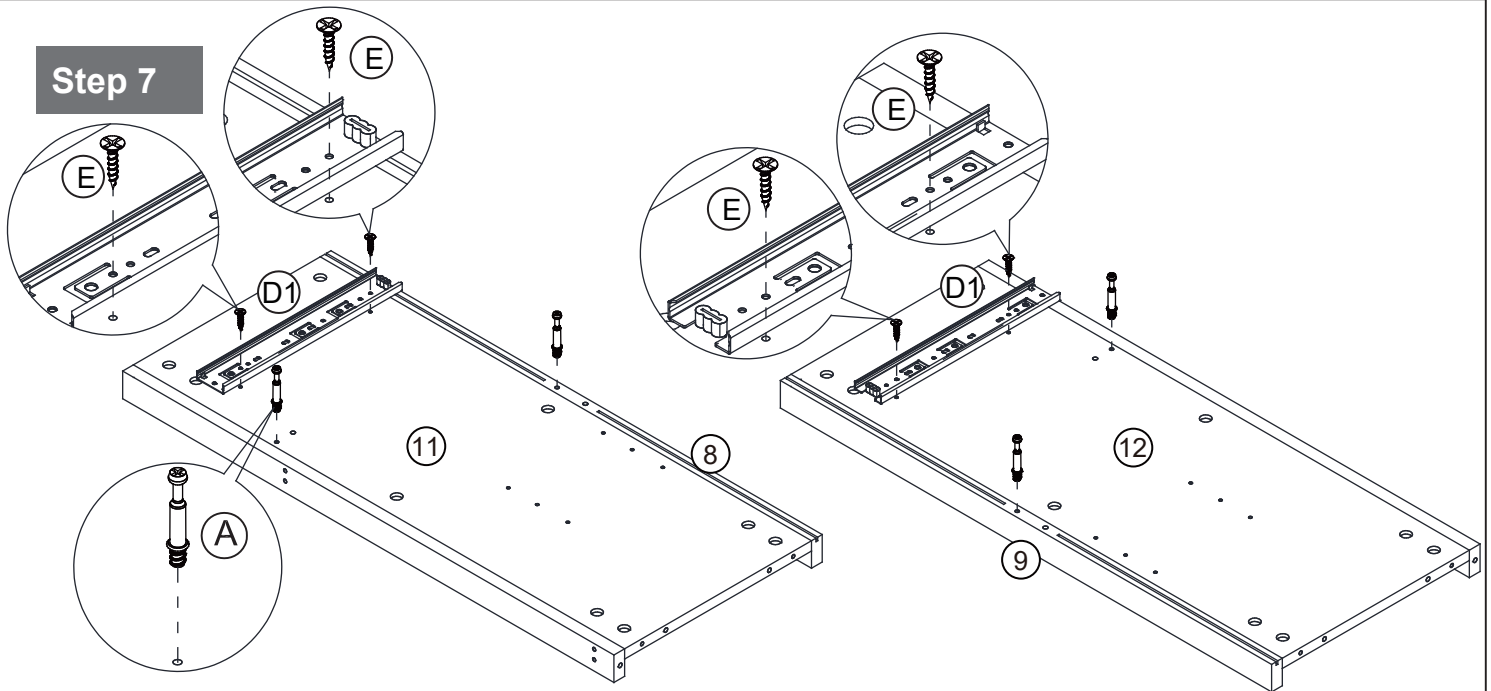


(D)

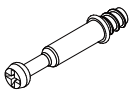


300mm Drawer slide x 6

Step 7

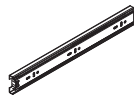


(A)



Cam Bolt x 4

(D1)



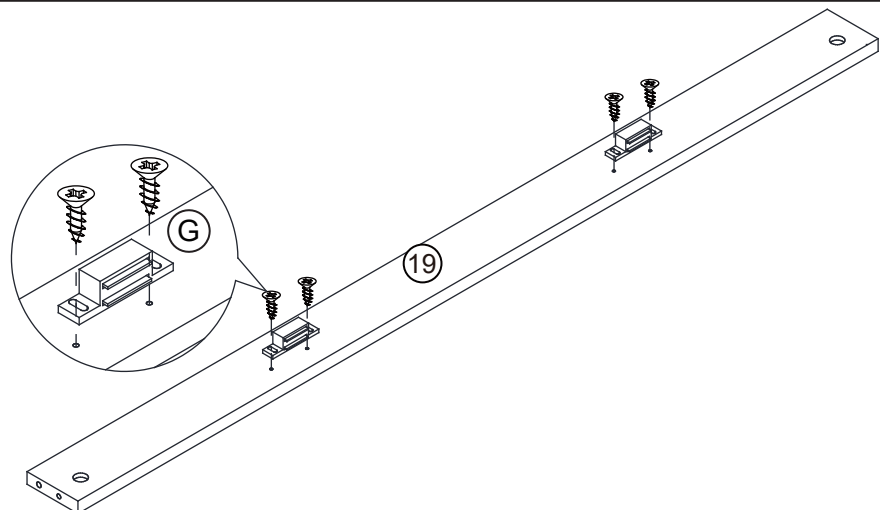
300mm Drawer slide x 2

(E)

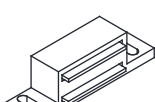


3*12mm Screw x 4

Step 8



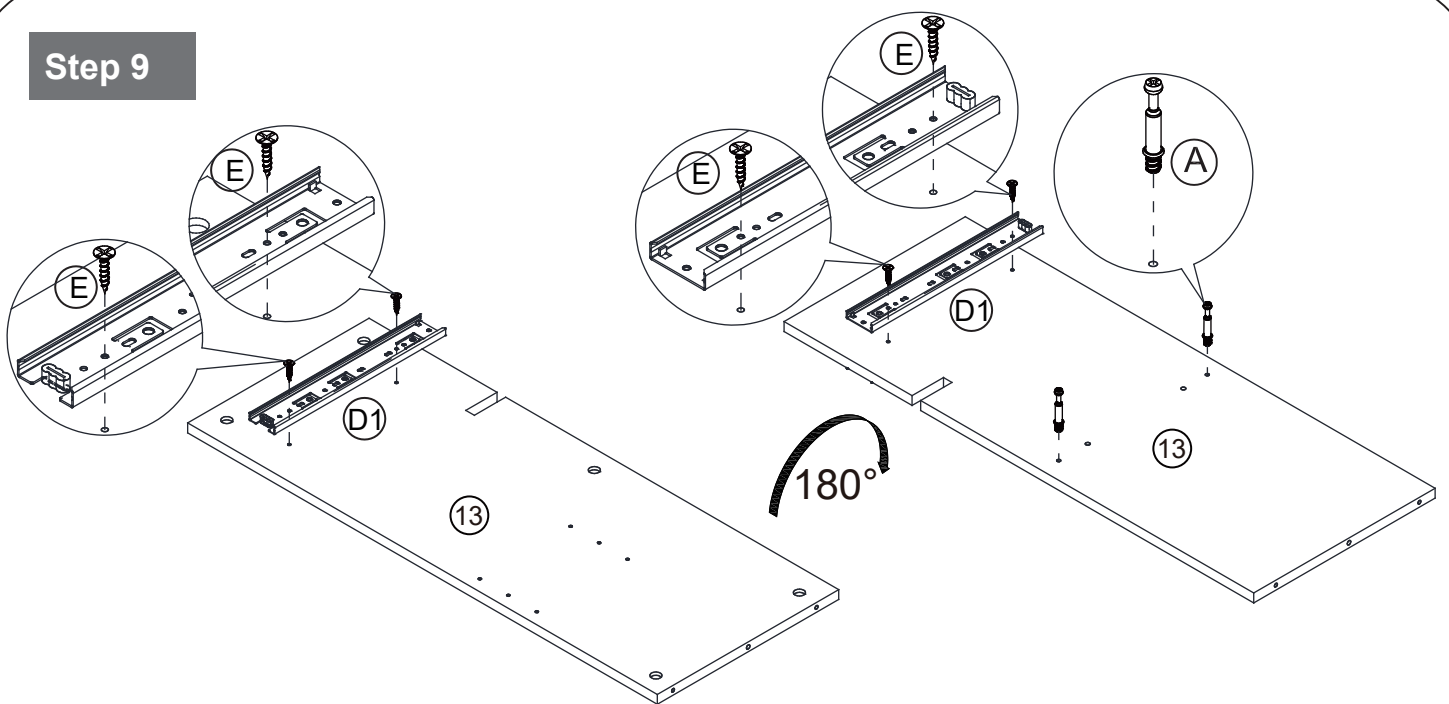
(G)



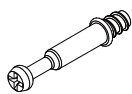
3*16mm Door stopper x 2SET

Assembly Instructions

Step 9



(A)



Cam Bolt x 2

(D1)



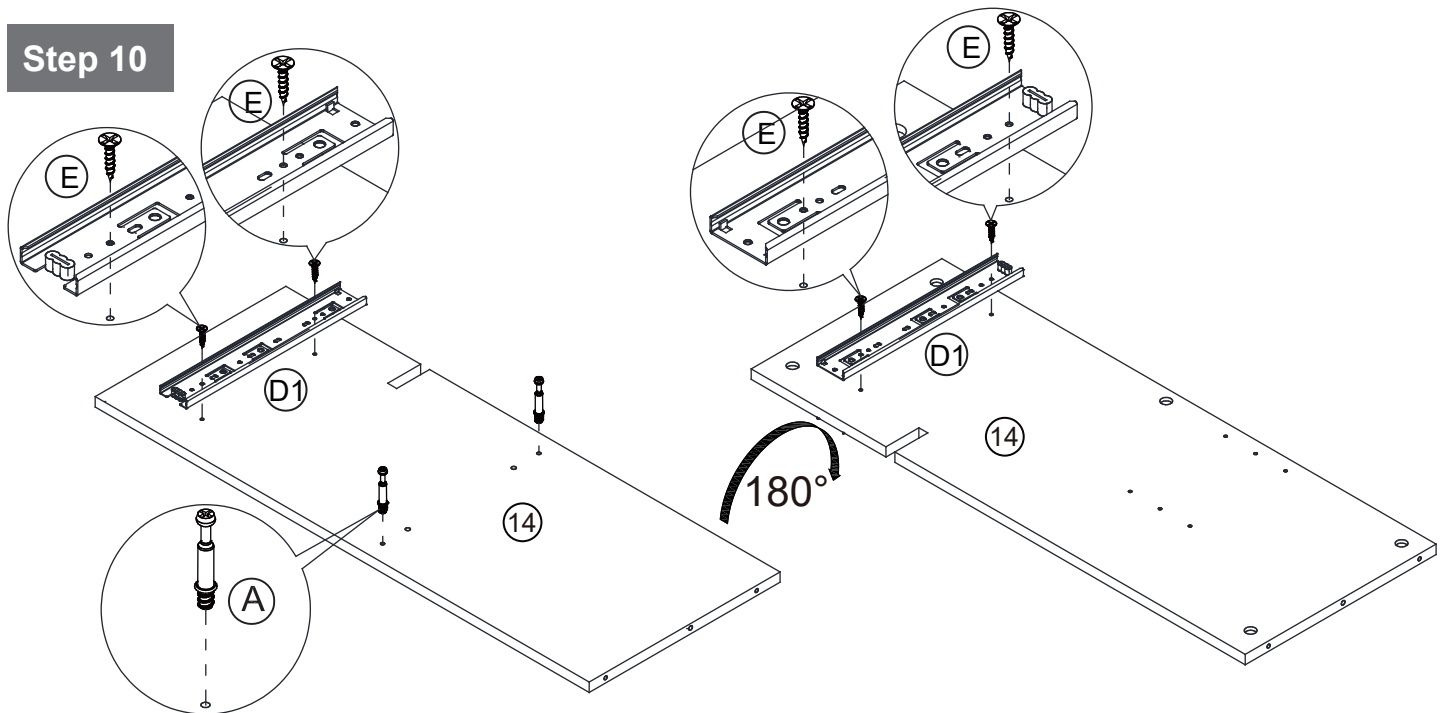
300mm Drawer slide x 2

(E)

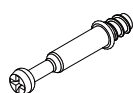


3*12mm Screw x 4

Step 10



(A)



Cam Bolt x 2

(D1)



300mm Drawer slide x 2

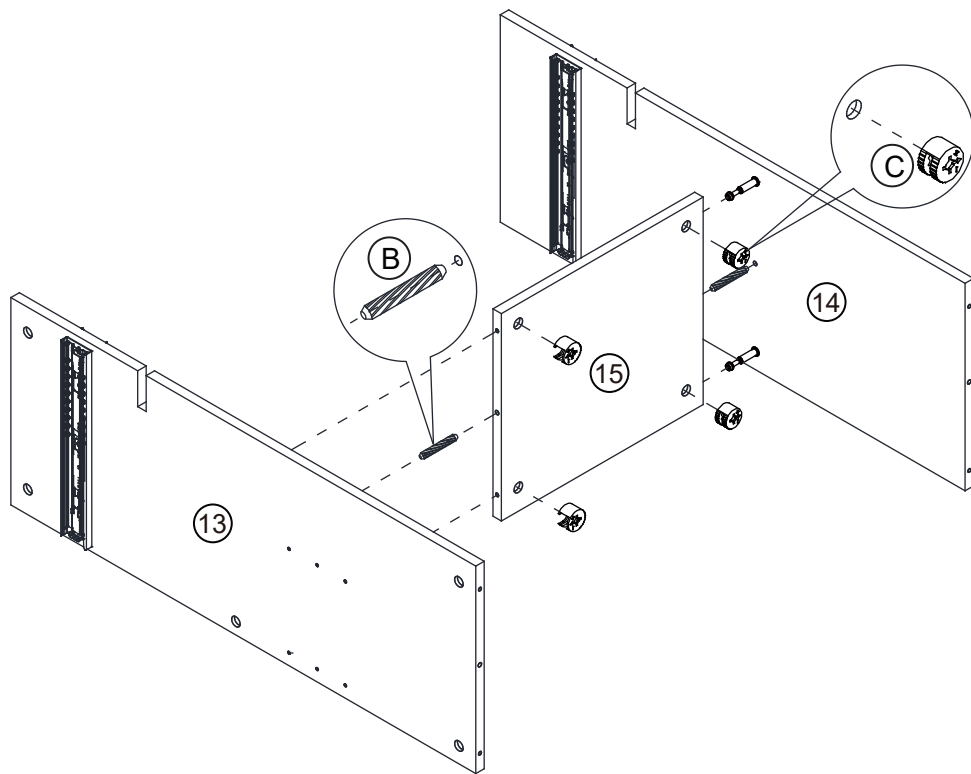
(E)



3*12mm Screw x 4

Assembly Instructions

Step 11

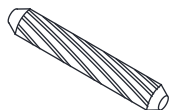


(C)



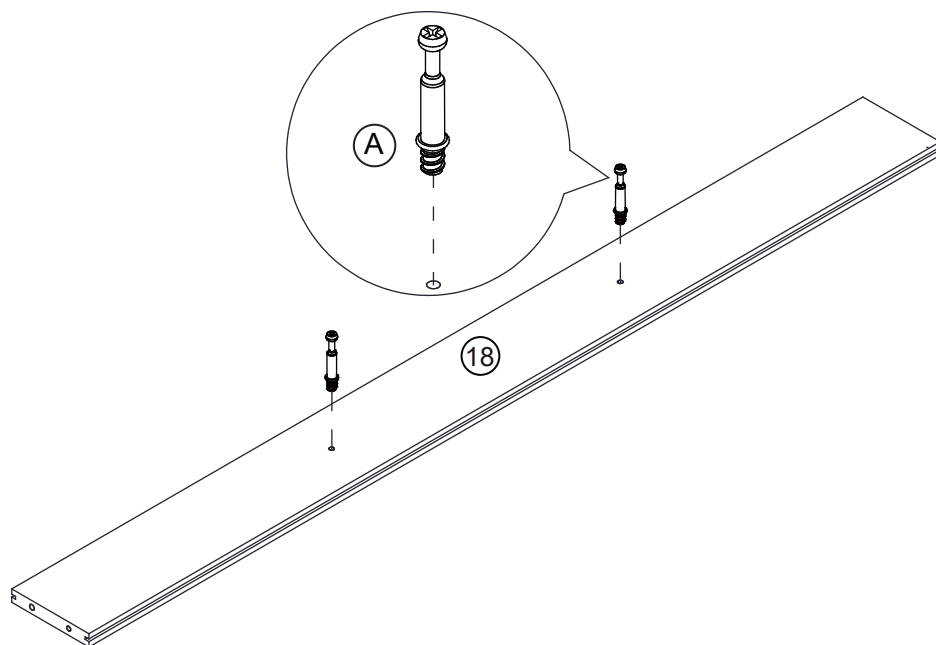
Cam lock x 4

(B)

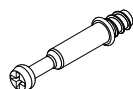


Dowel x 2

Step 12



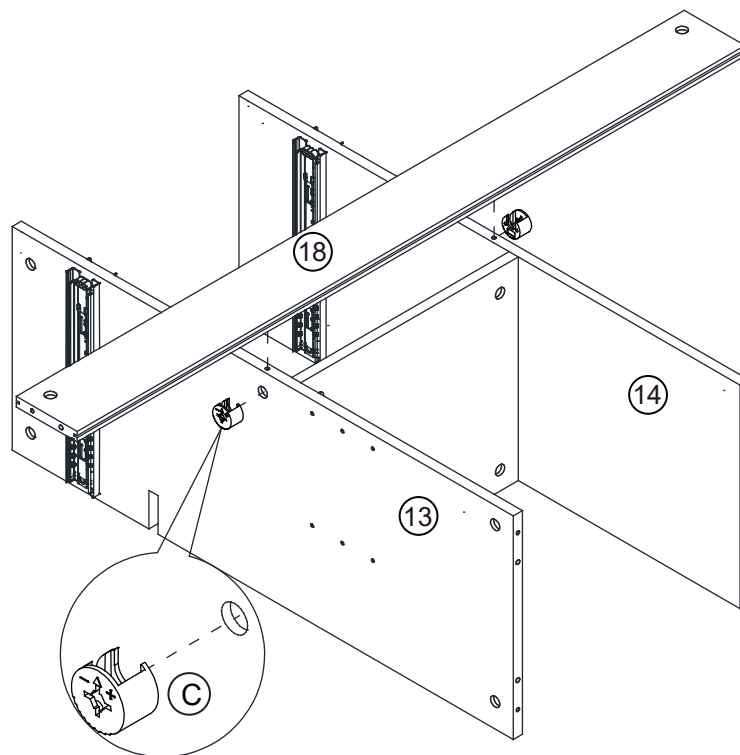
(A)



Cam Bolt x 2

Assembly Instructions

Step 13

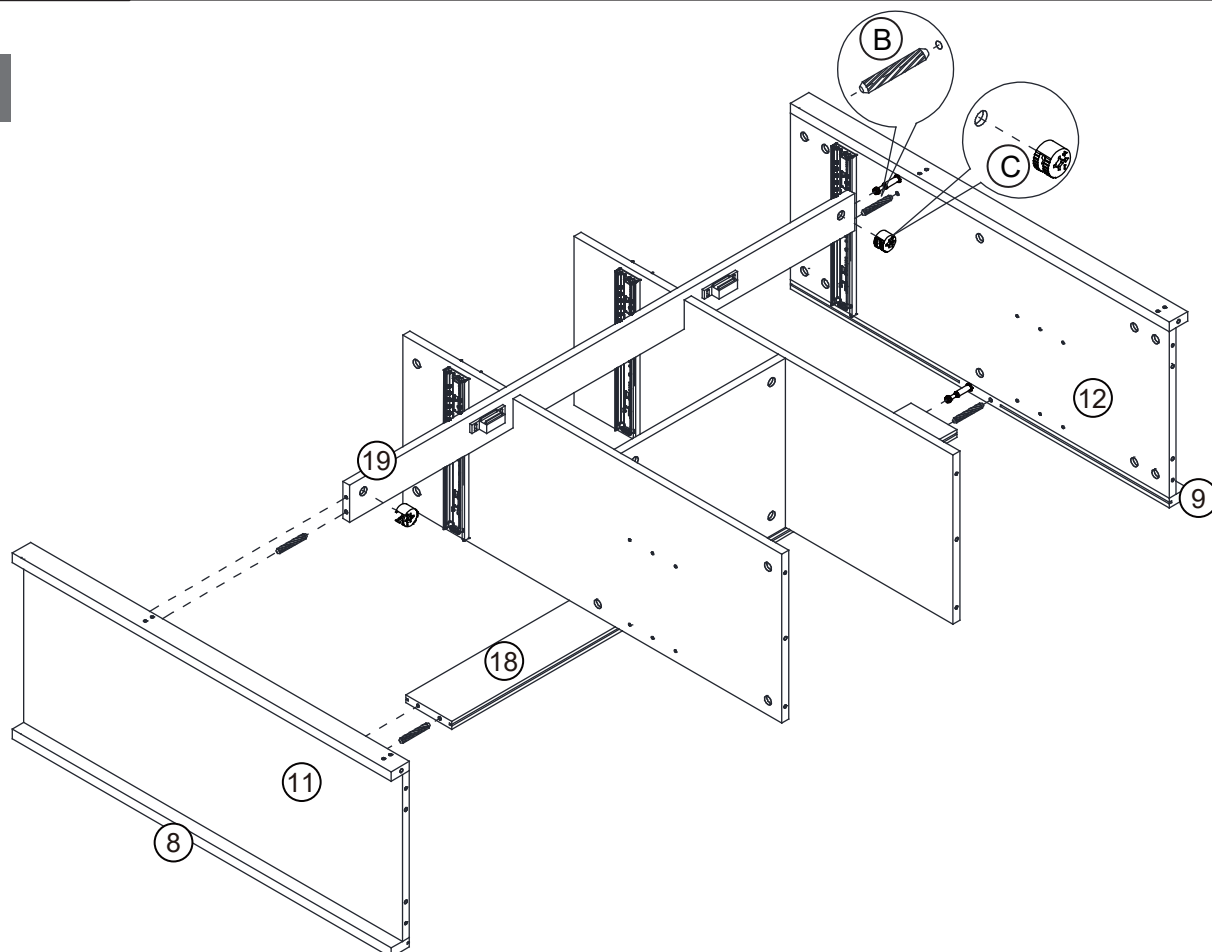


(C)

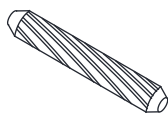


Cam lock x 2

Step 14



(B)



Dowel x 4

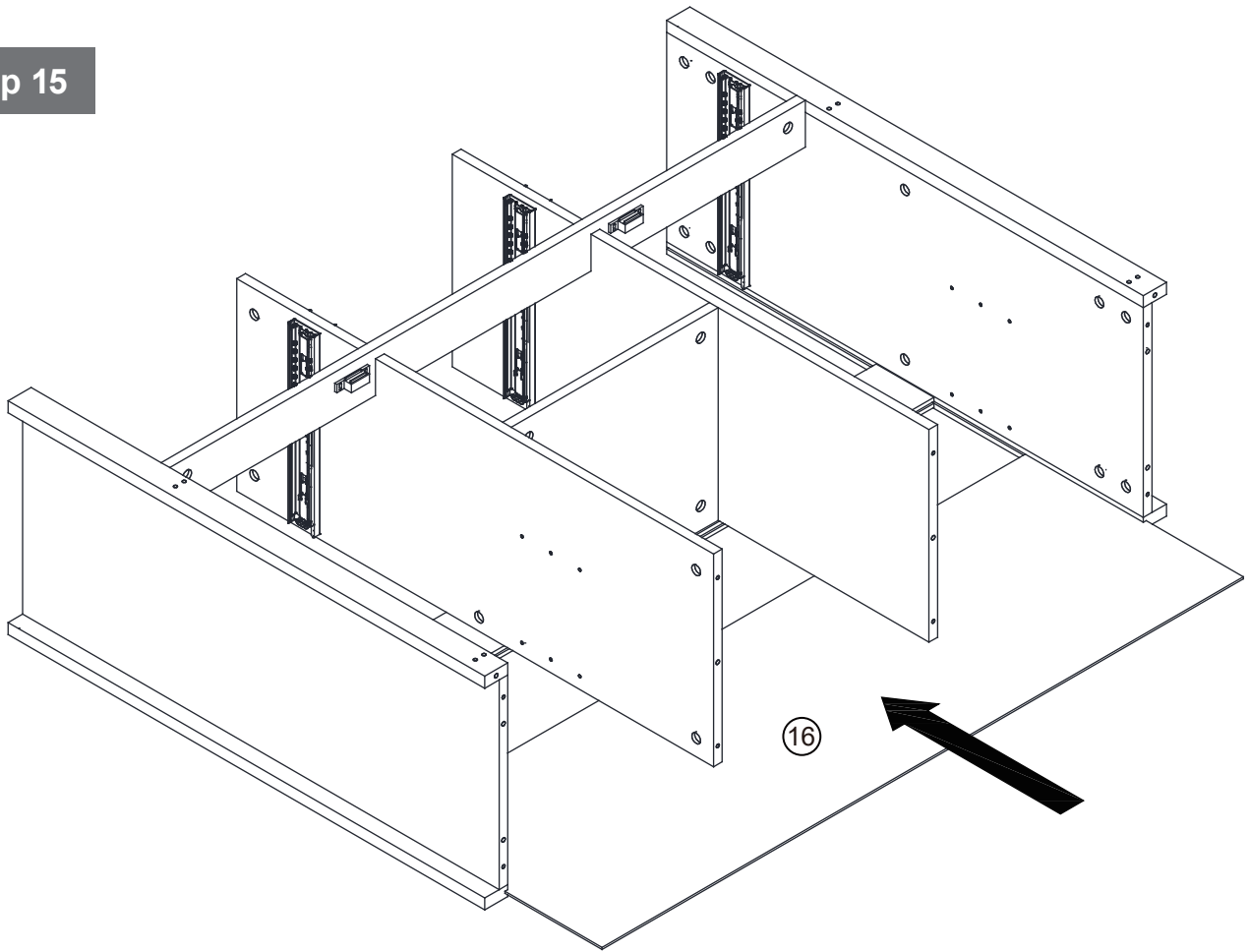
(C)



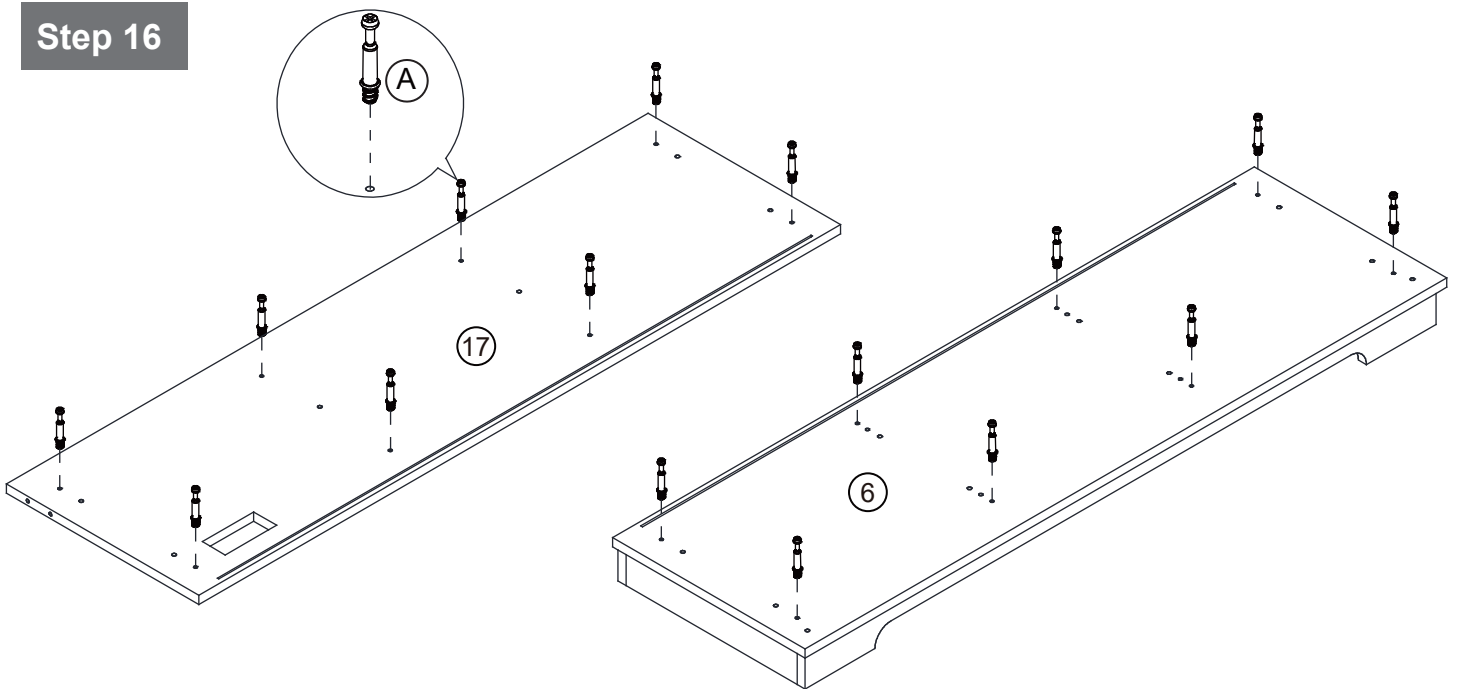
Cam lock x 2

Assembly Instructions

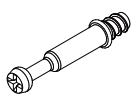
Step 15



Step 16



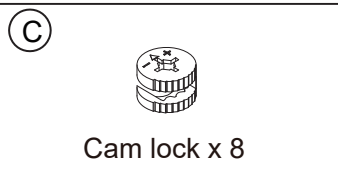
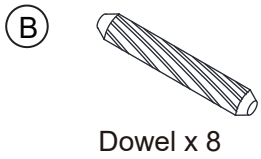
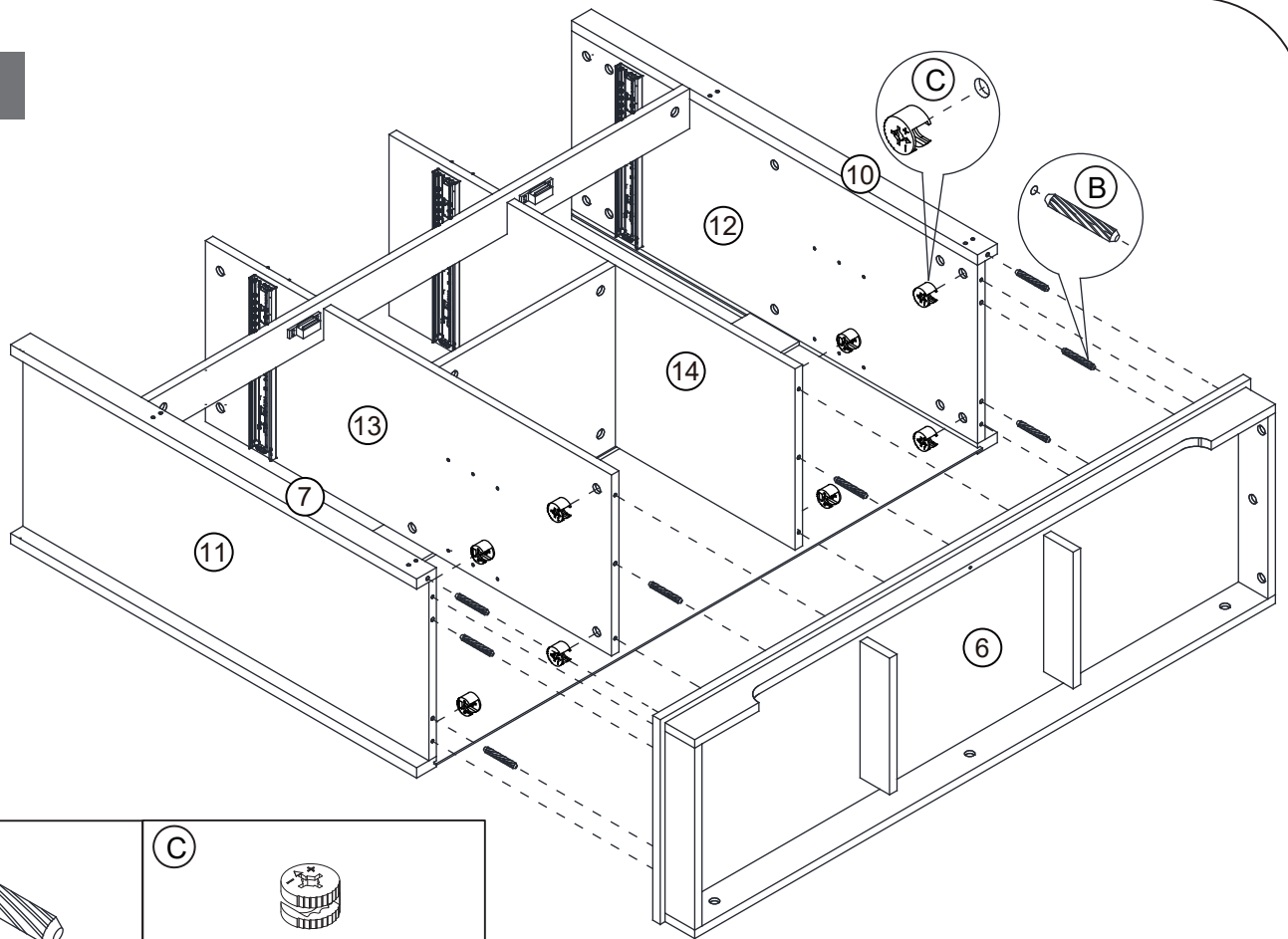
(A)



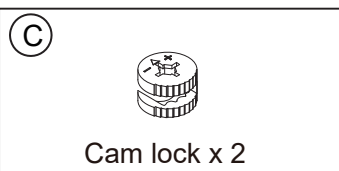
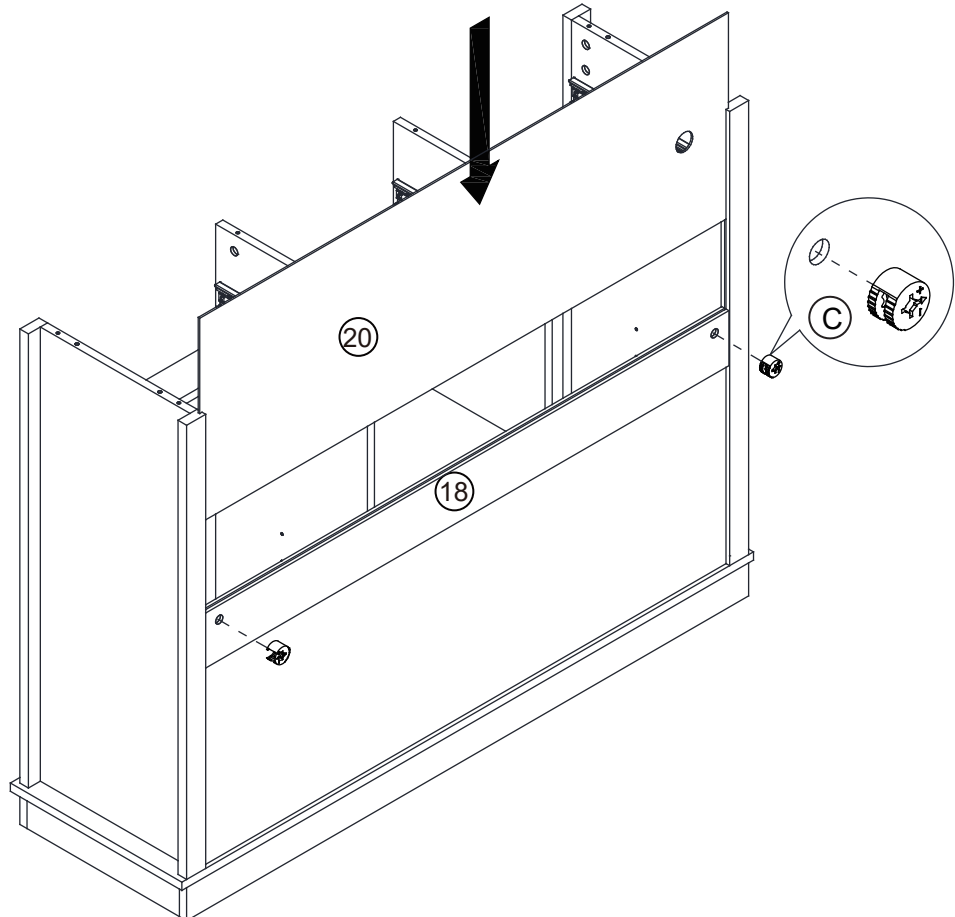
Cam Bolt x 16

Assembly Instructions

Step 17

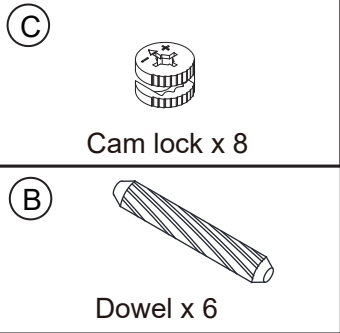
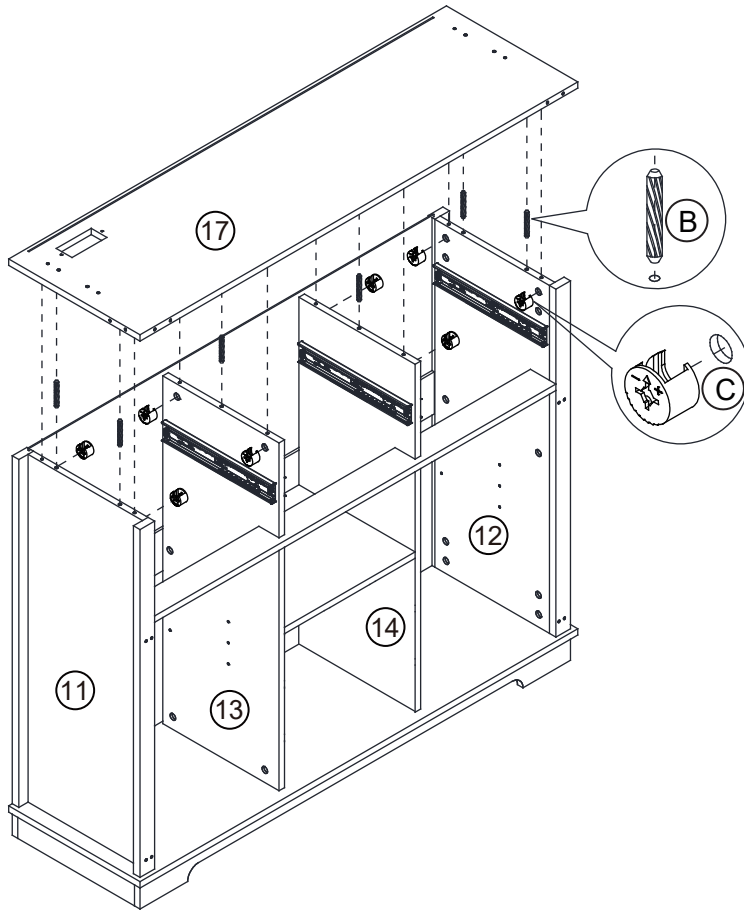


Step 18

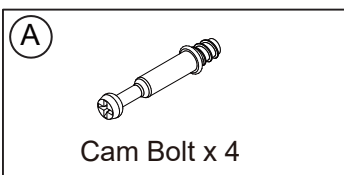
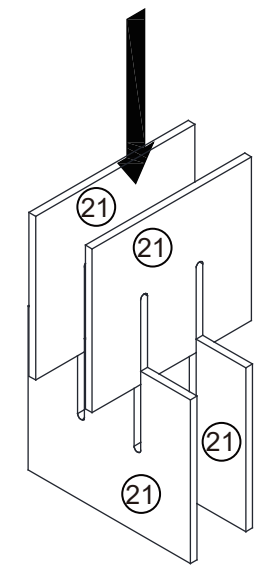
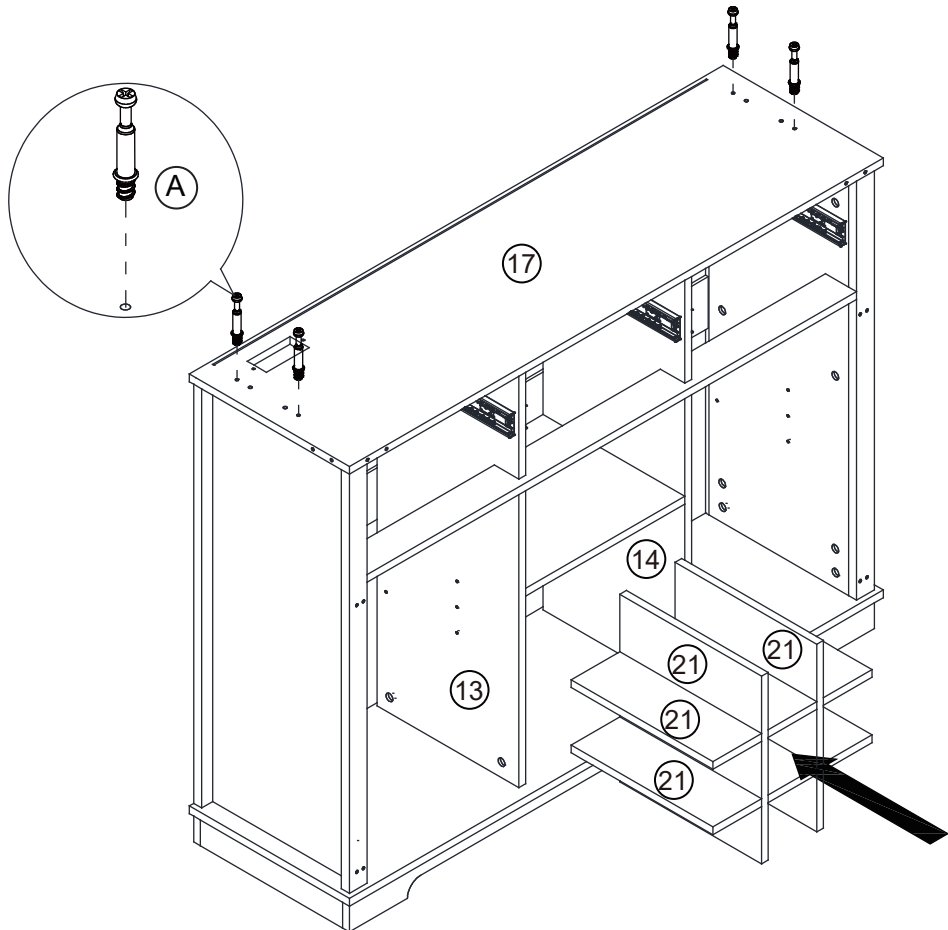


Assembly Instructions

Step 19

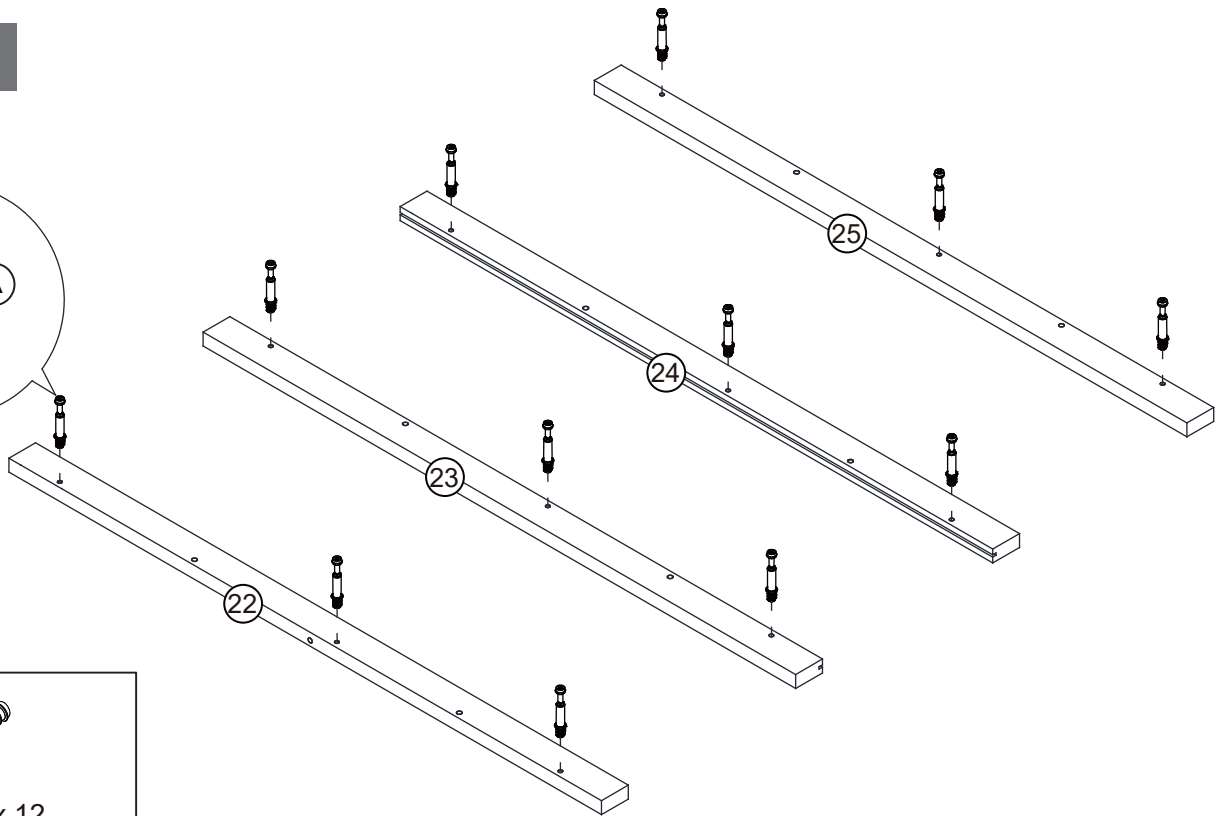
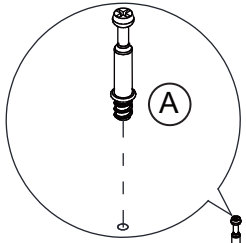


Step 20

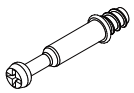


Assembly Instructions

Step 21

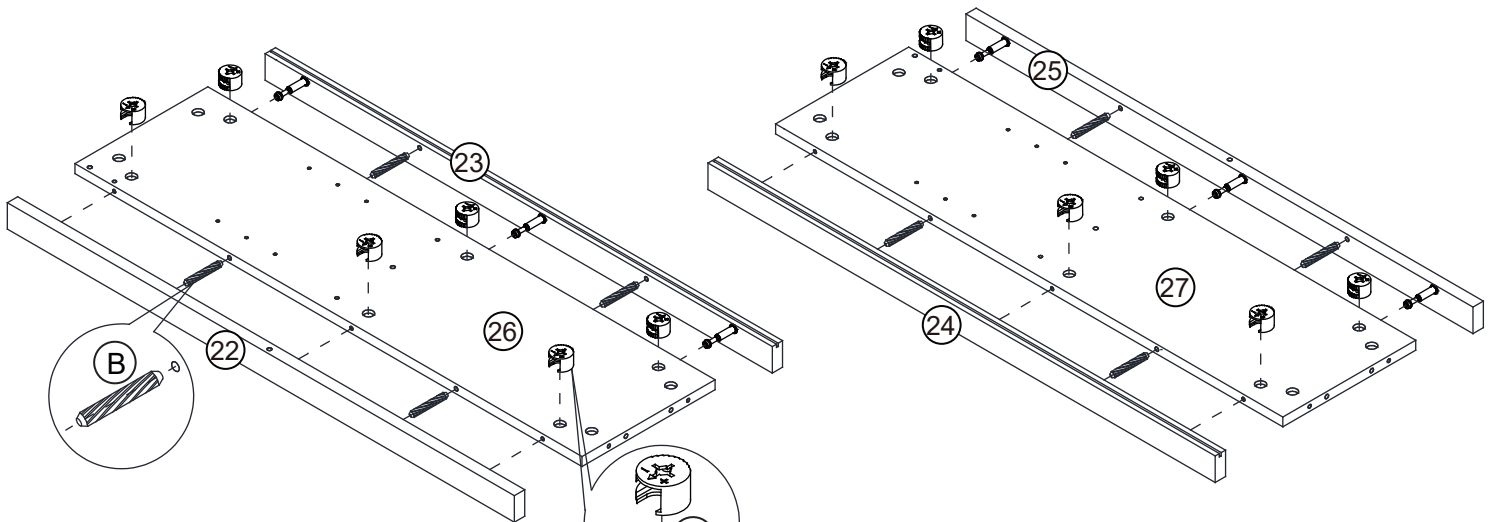
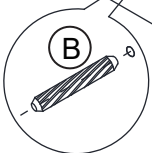


A



Cam Bolt x 12

Step 22

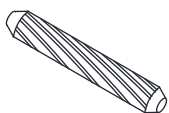


C



Cam lock x 12

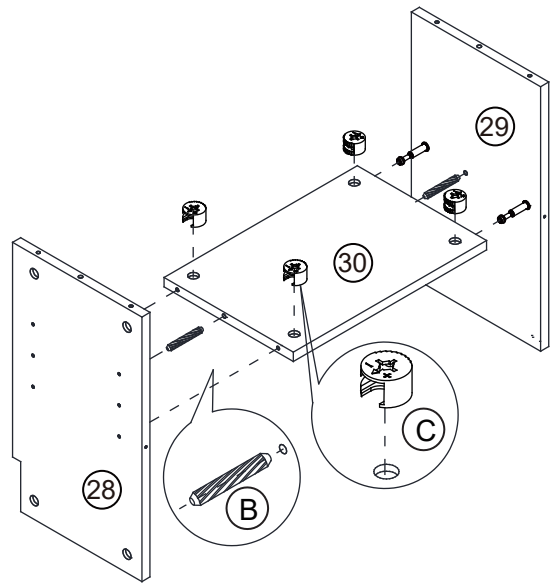
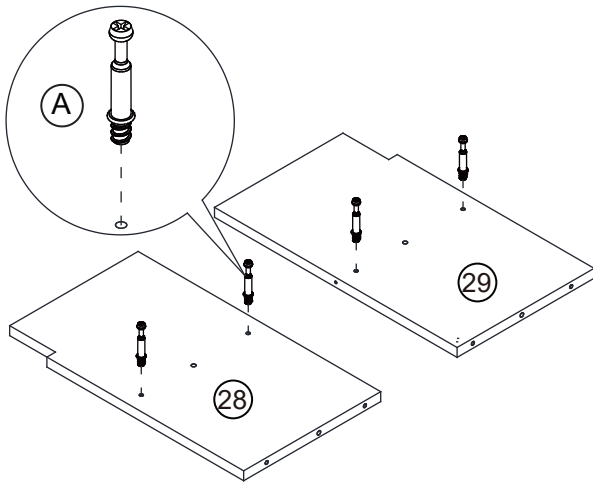
B



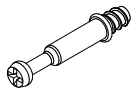
Dowel x 8

Assembly Instructions

Step 23

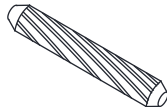


(A)



Cam Bolt x 4

(B)



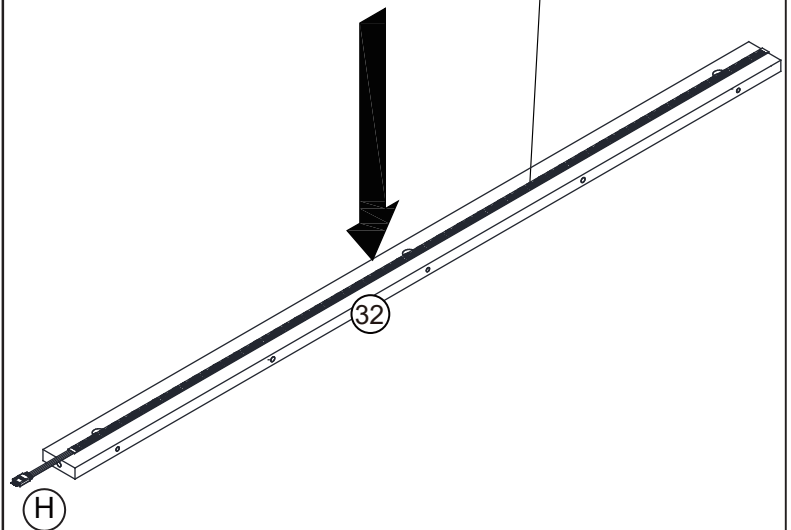
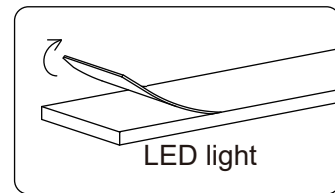
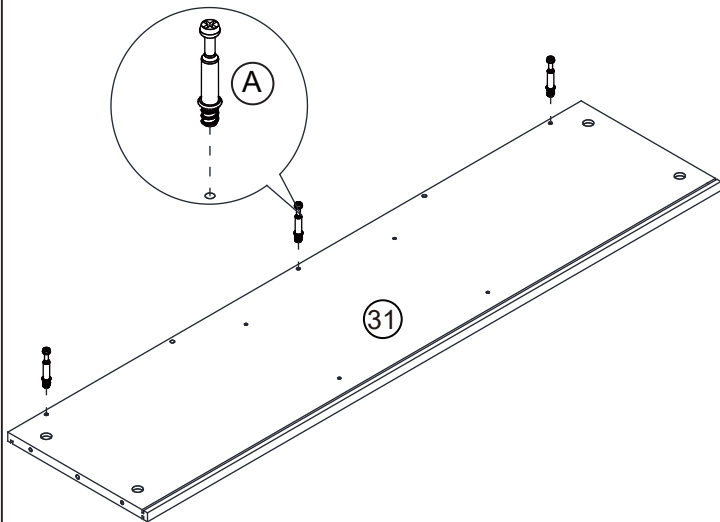
Dowel x 2

(C)

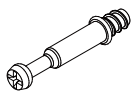


Cam lock x 4

Step 24

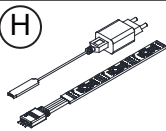


(A)



Cam Bolt x 3



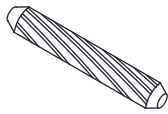
(H)

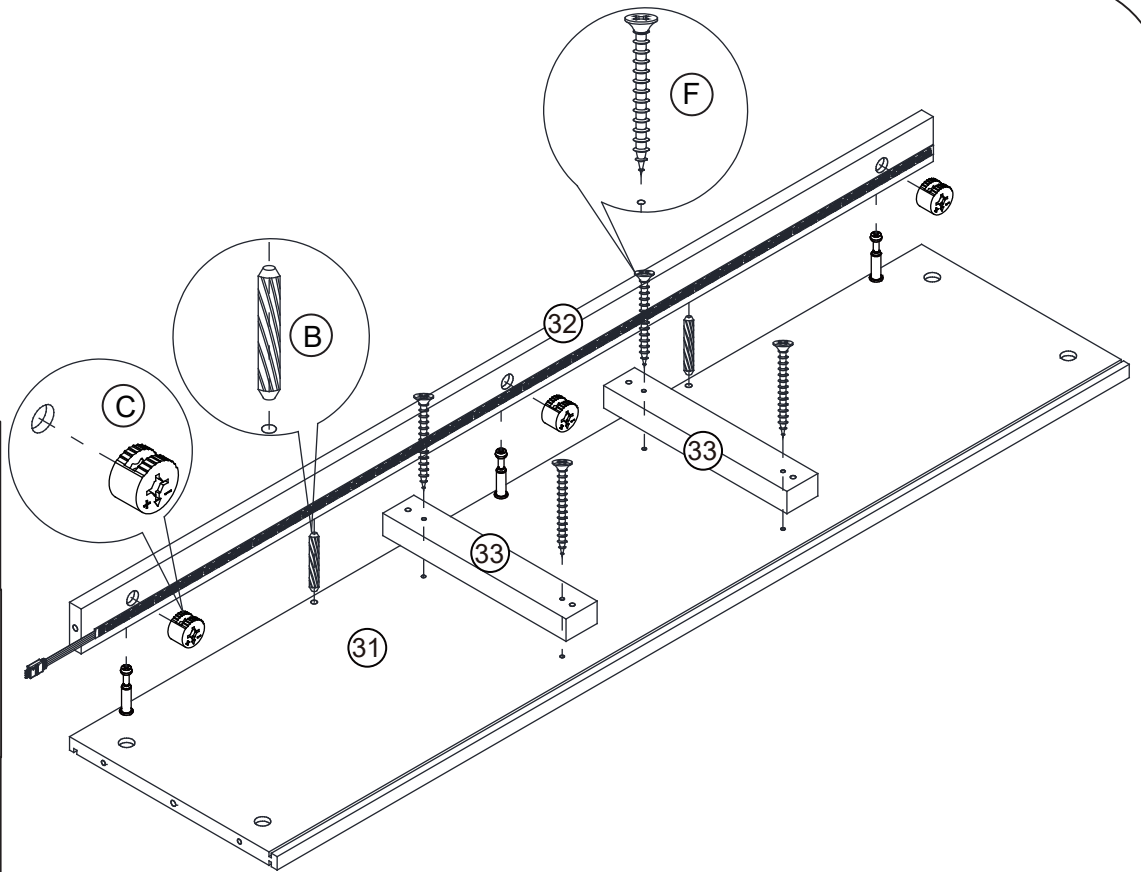


LED light x 1SET


Assembly Instructions

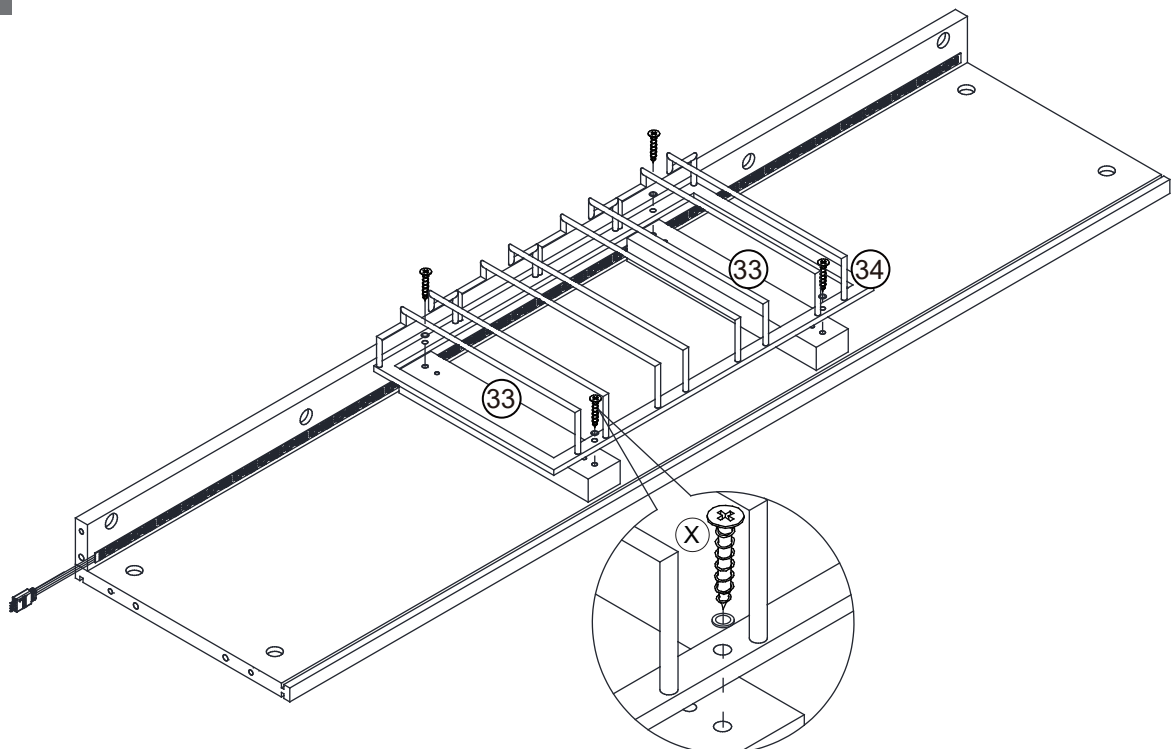
Step 25

- (F)** 
4*35mm Screw x 4
- (C)** 
Cam lock x 3
- (B)** 
Dowel x 2



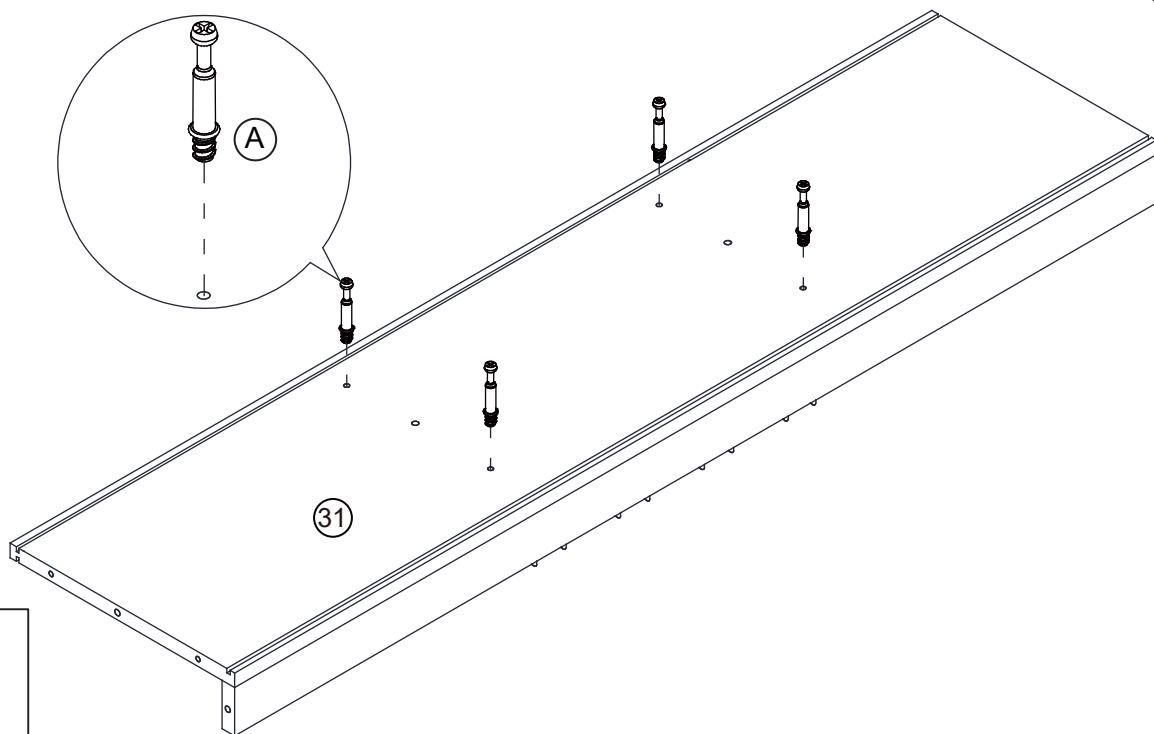
Step 26

- (X)** 
4*25mm Screw x 4

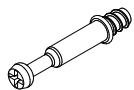


Assembly Instructions

Step 27

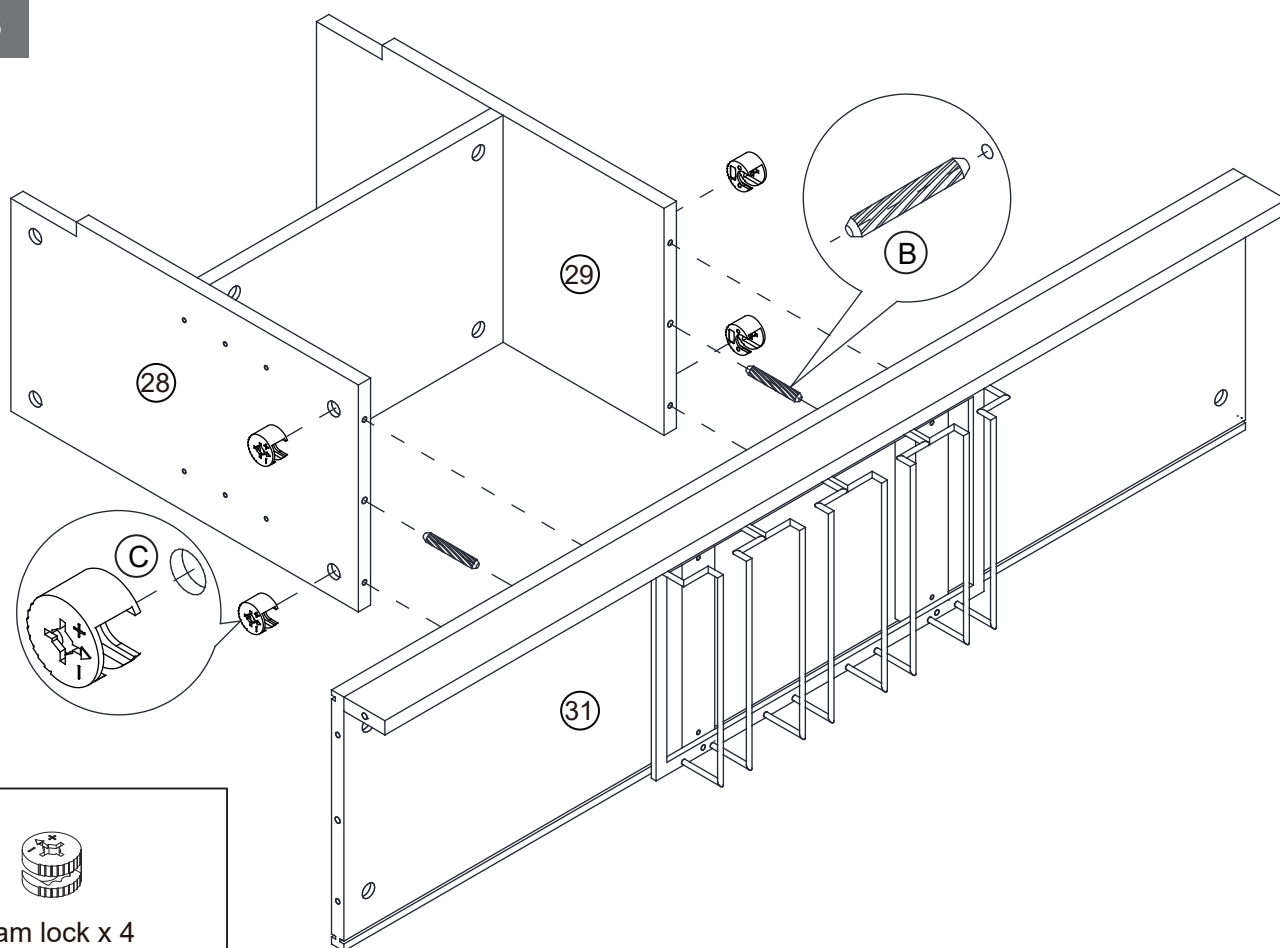


A



Cam Bolt x 4

Step 28

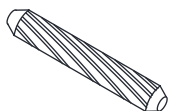


C



Cam lock x 4

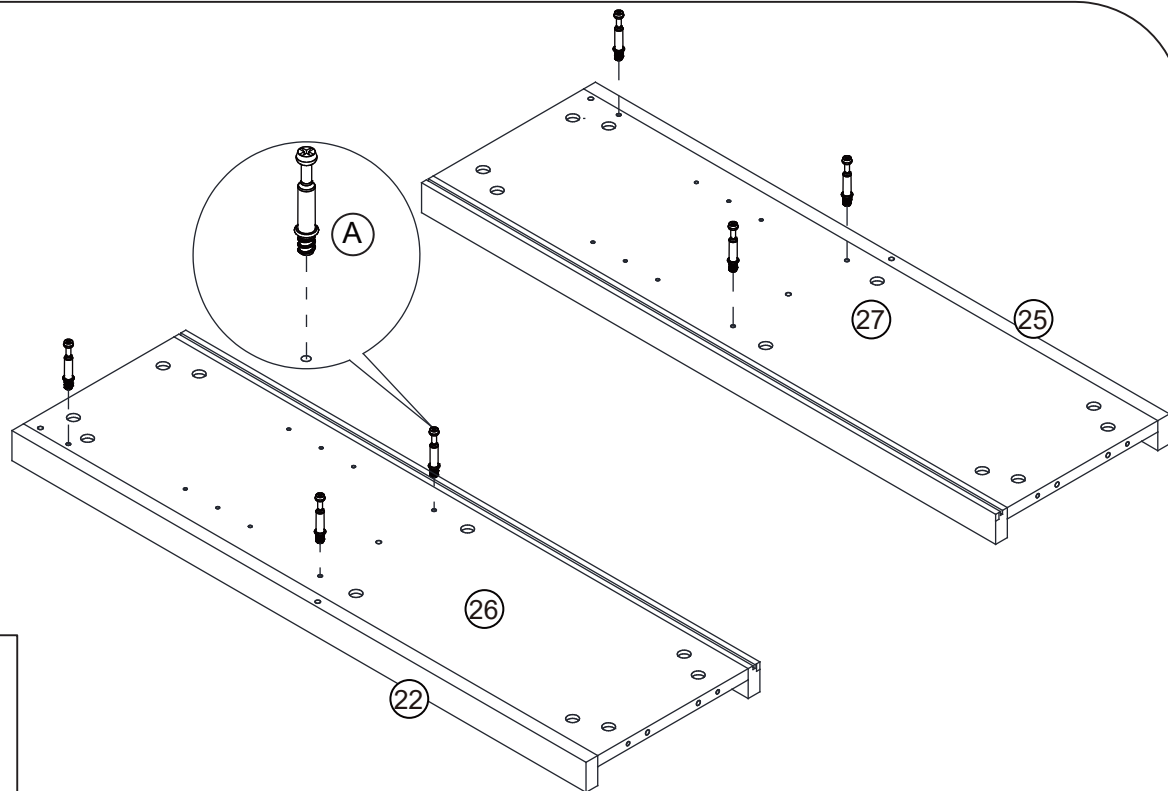
B



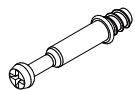
Dowel x 2

Assembly Instructions

Step 29

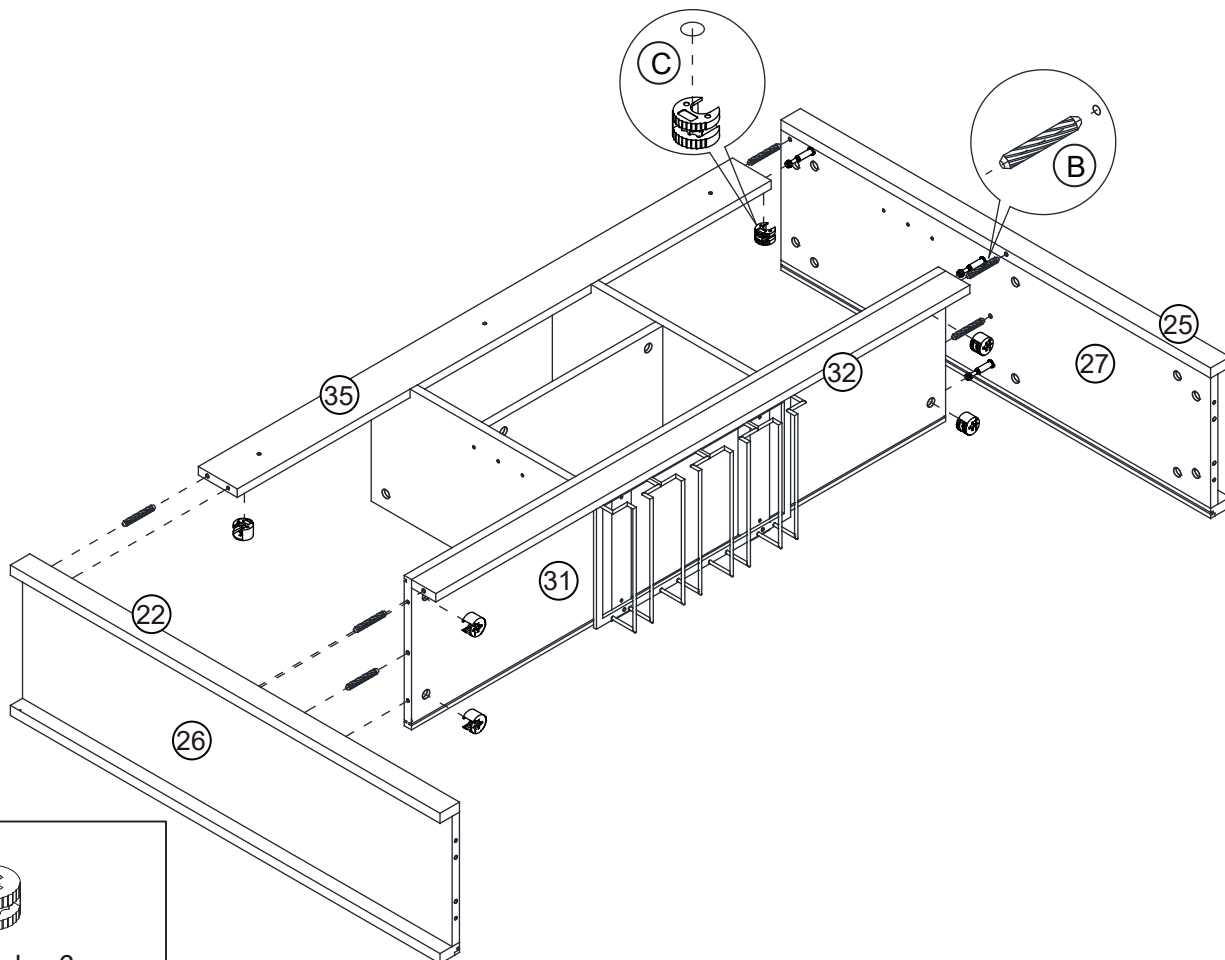


(A)



Cam Bolt x 6

Step 30

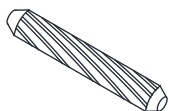


(C)



Cam lock x 6

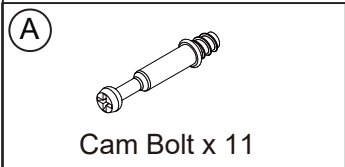
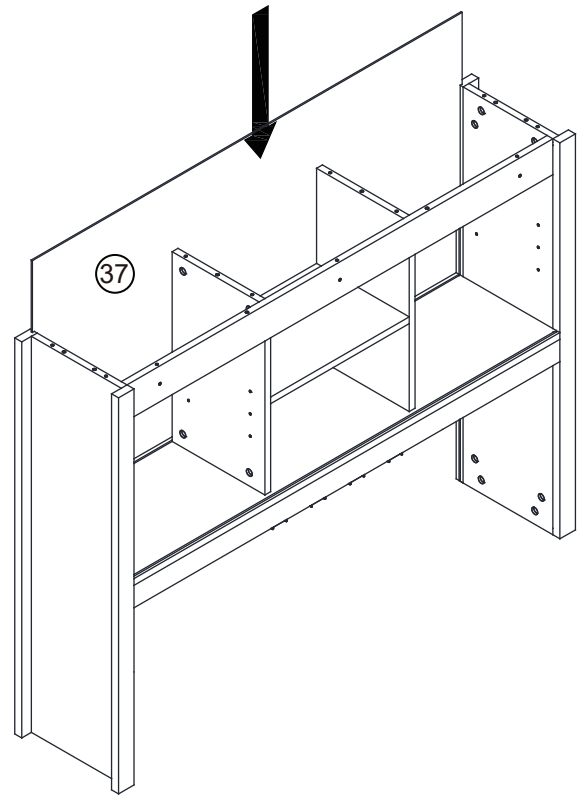
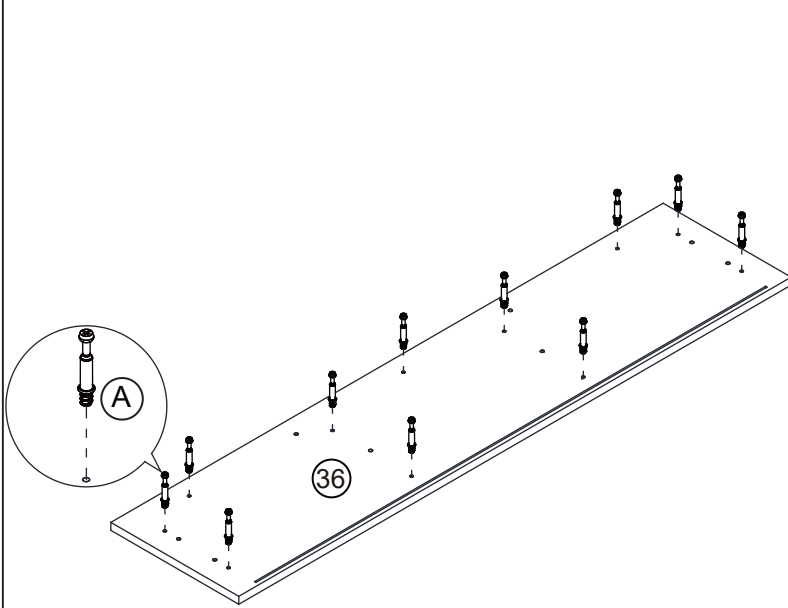
(B)



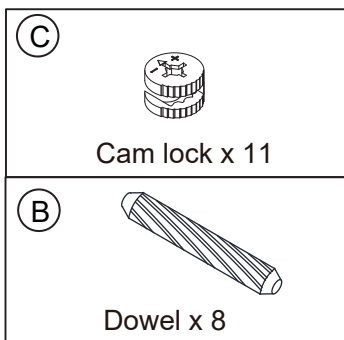
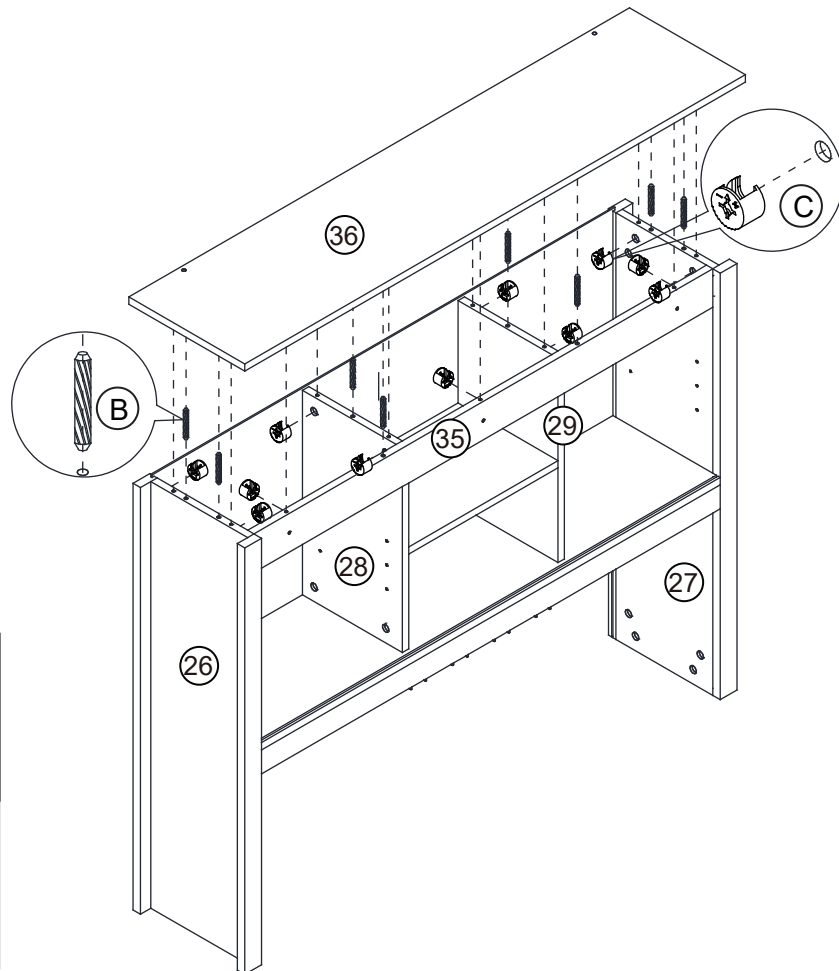
Dowel x 6

Assembly Instructions

Step 31

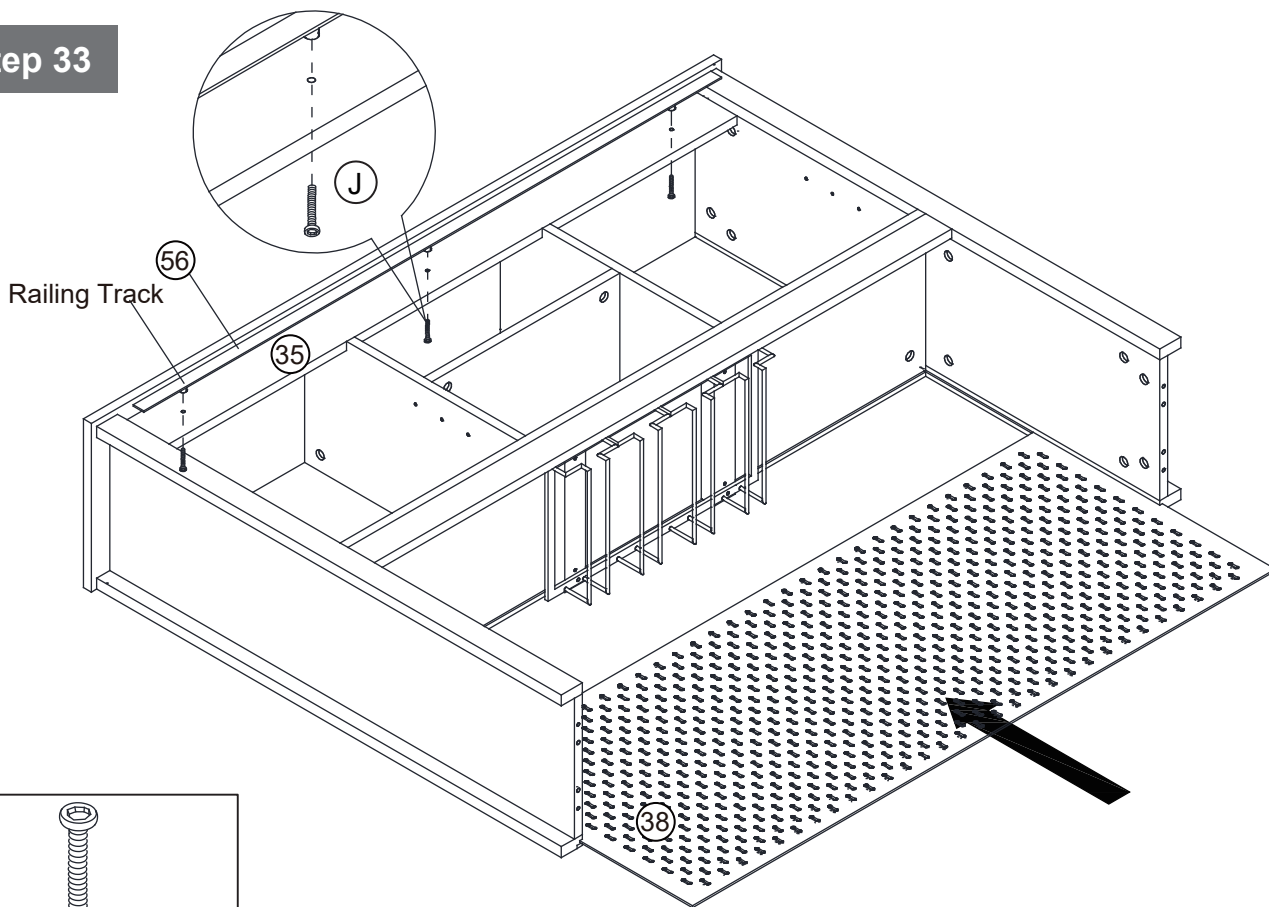


Step 32

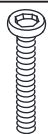


Assembly Instructions

Step 33

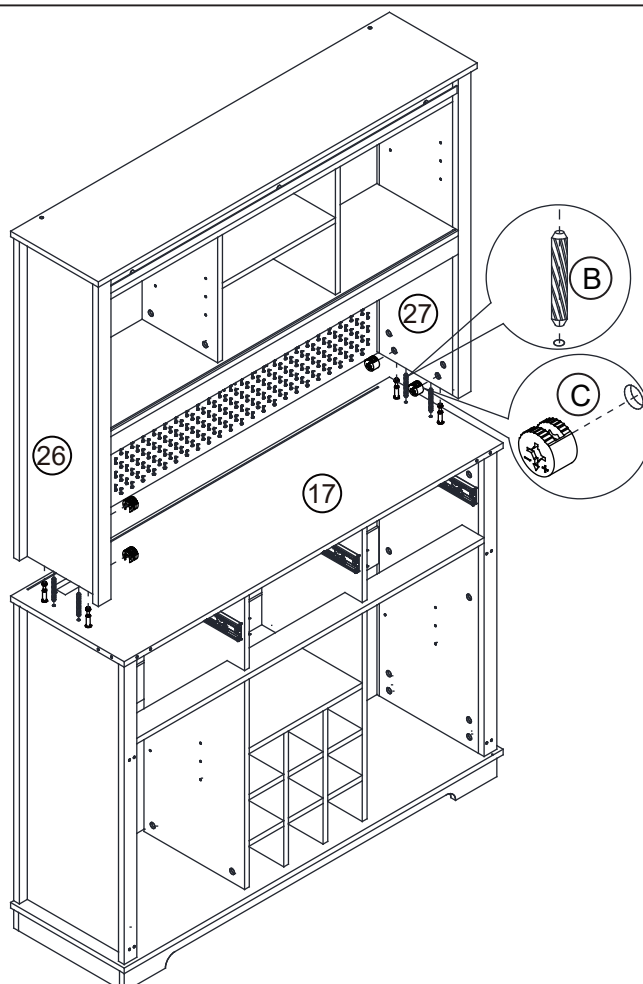


J



6*25mm Screw x 3

Step 34

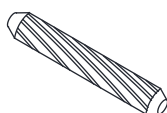


C



Cam lock x 4

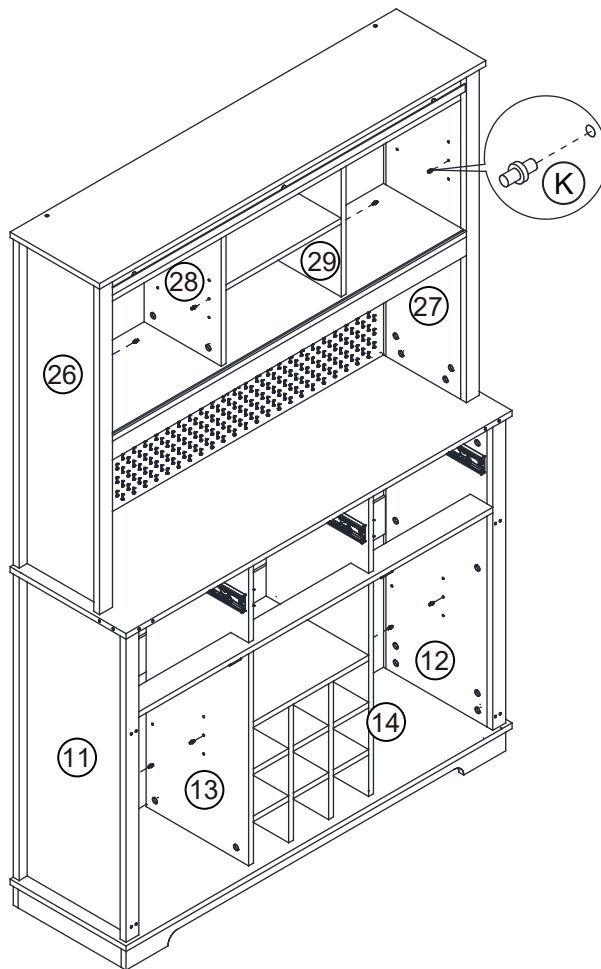
B



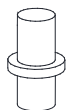
Dowel x 4

Assembly Instructions

Step 35

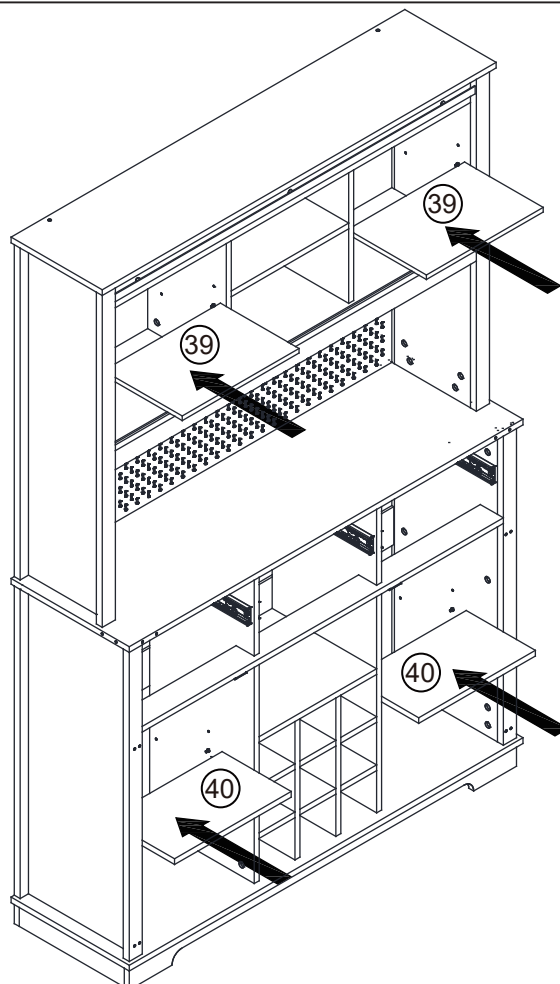


(K)



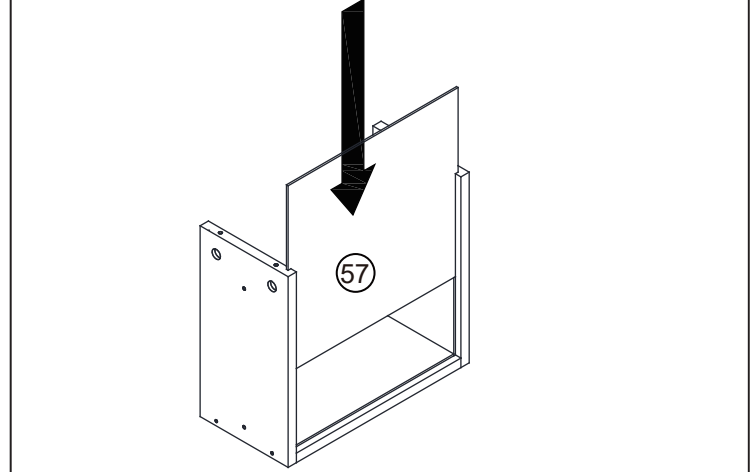
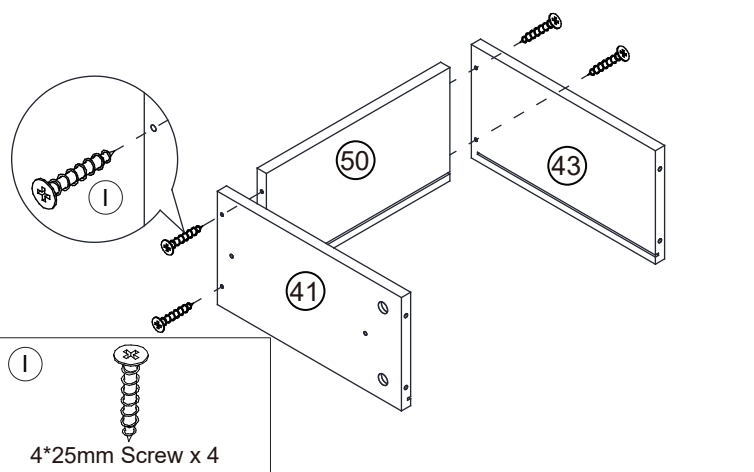
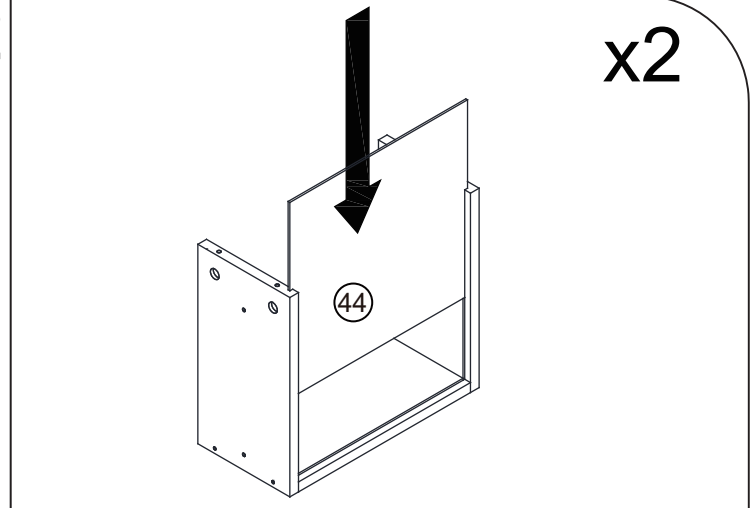
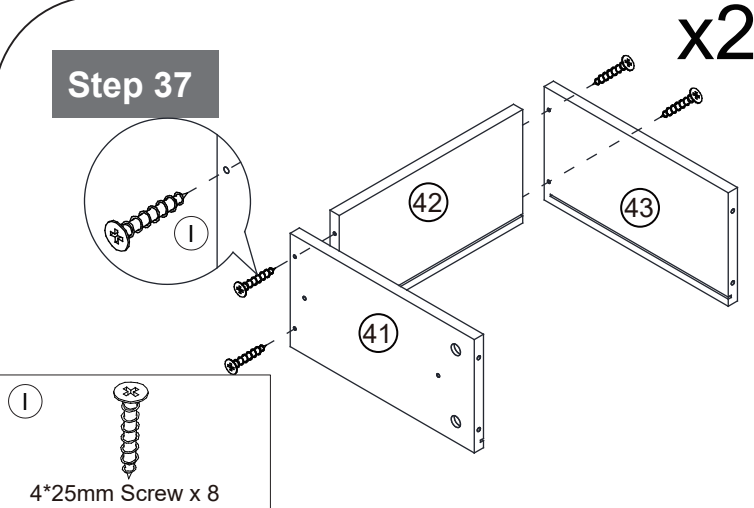
Shelf support pin x 16

Step 36

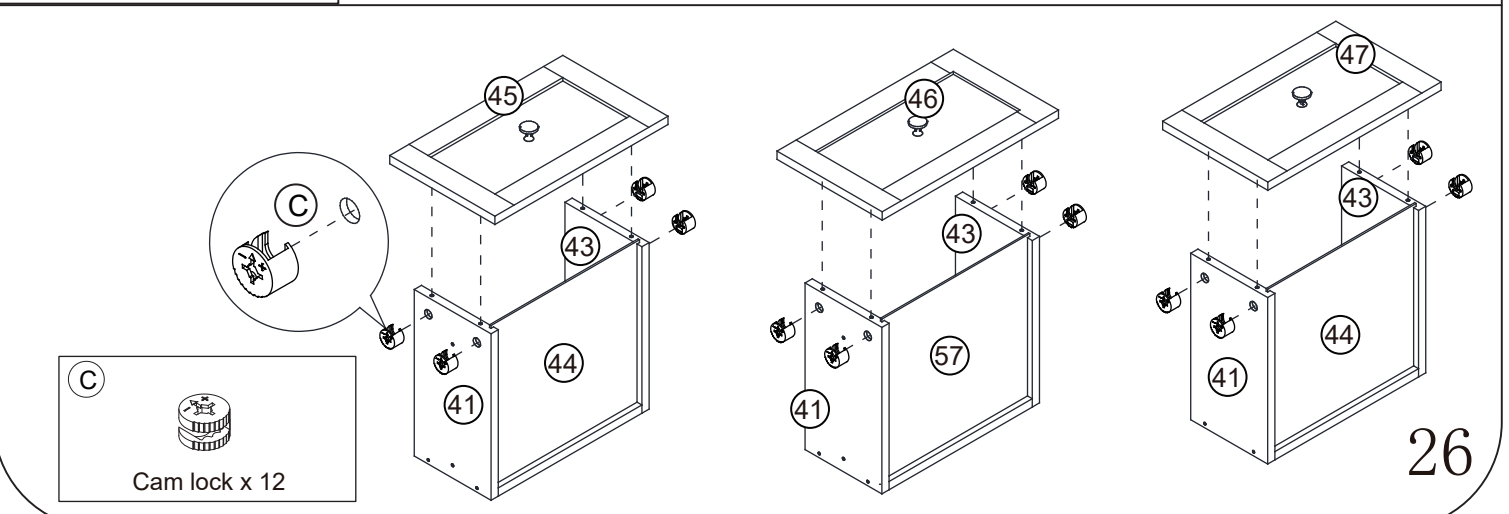
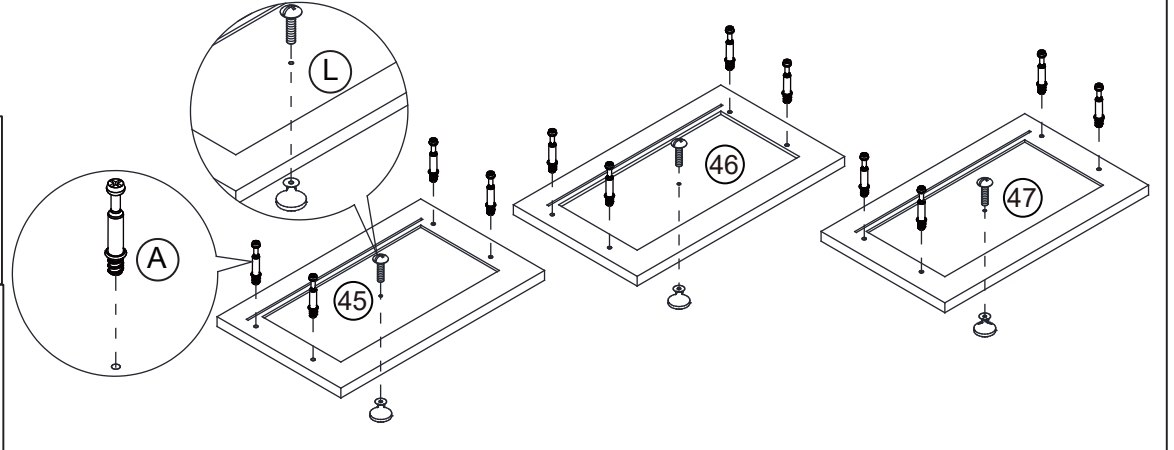
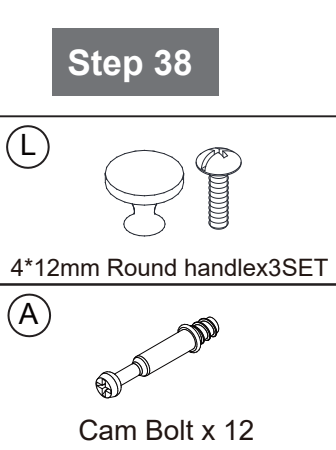


Assembly Instructions

Step 37

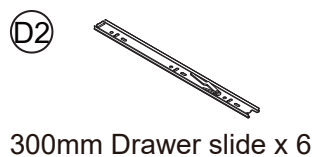
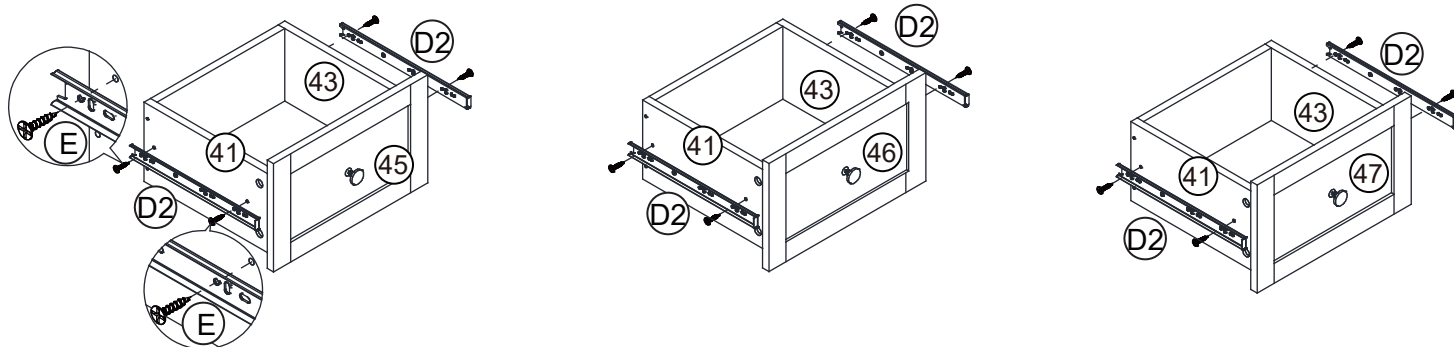
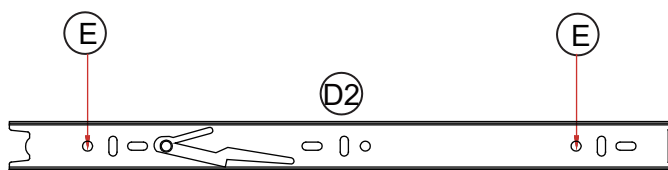


Step 38



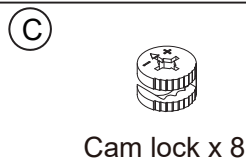
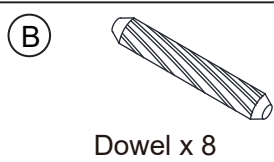
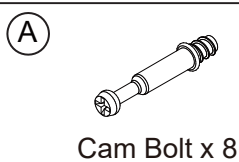
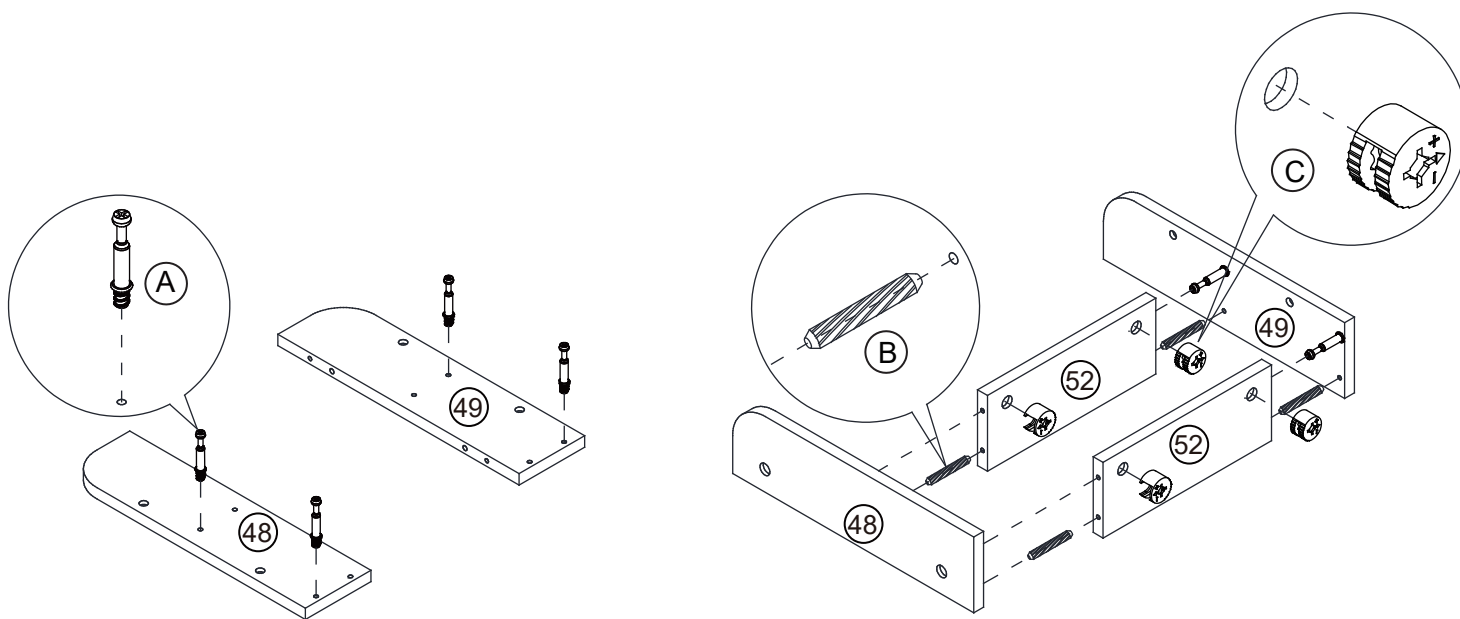
Assembly Instructions

Step 39



Step 40

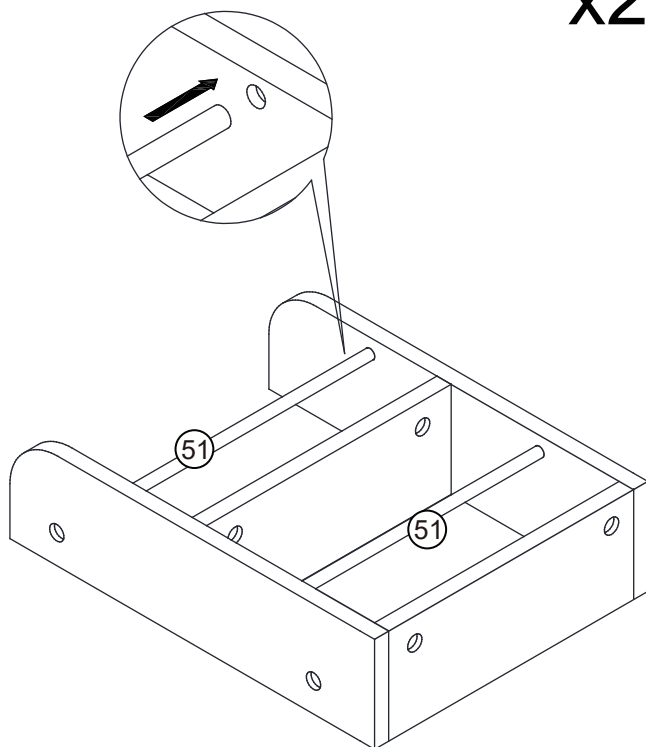
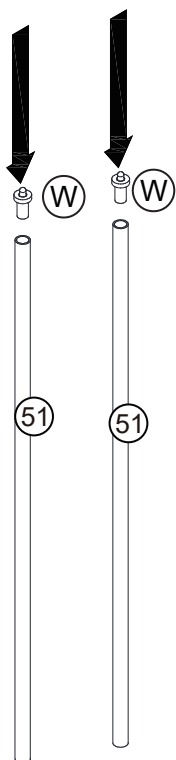
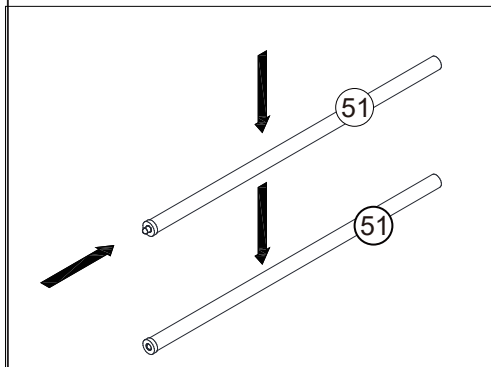
x2



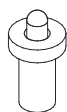
Assembly Instructions

Step 41

x2

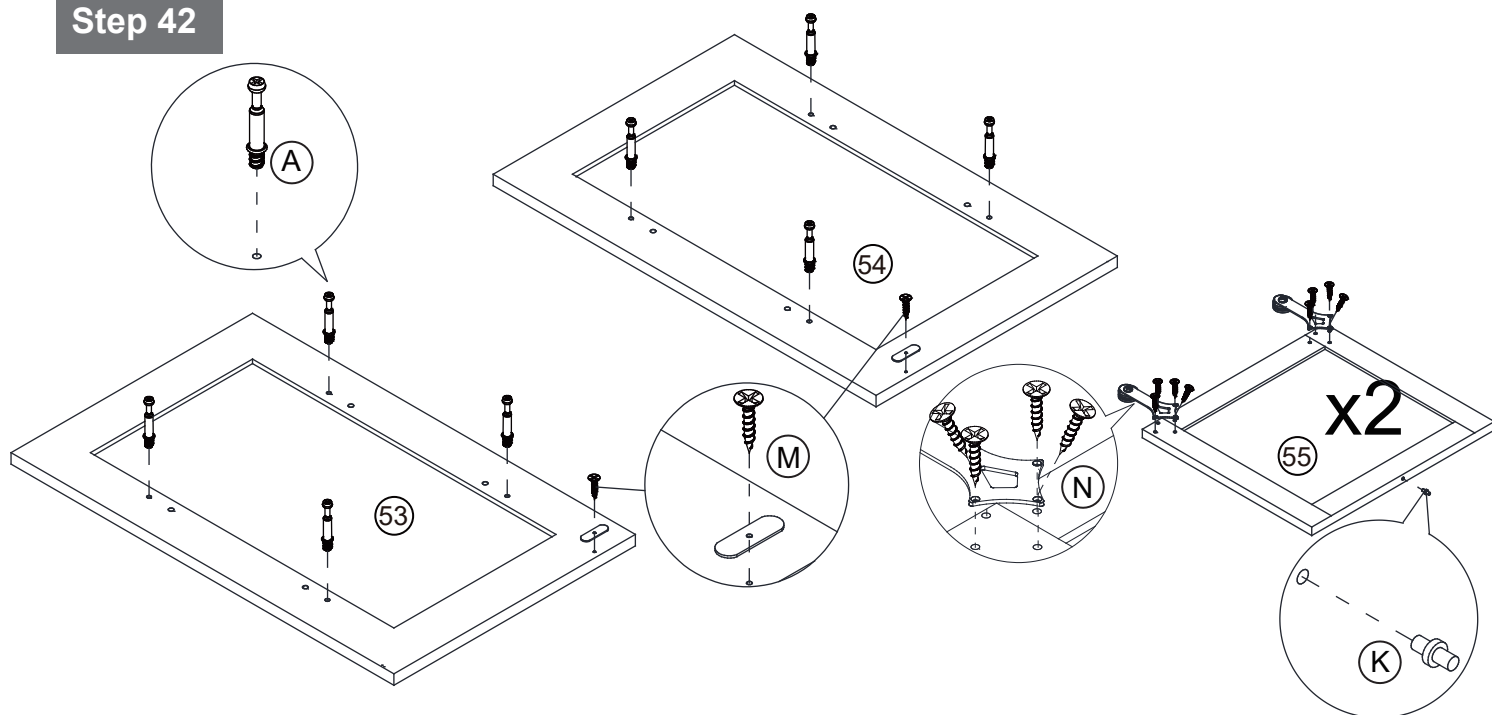


(W)

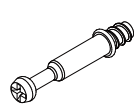


Iron pipe spring x 4

Step 42

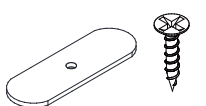


(A)



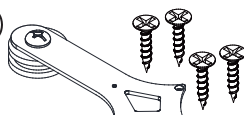
Cam Bolt x 8

(M)



3*12mm Magnetic sheet x 2SET

(N)



3*12mm Screw x 4SET

(K)

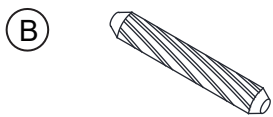
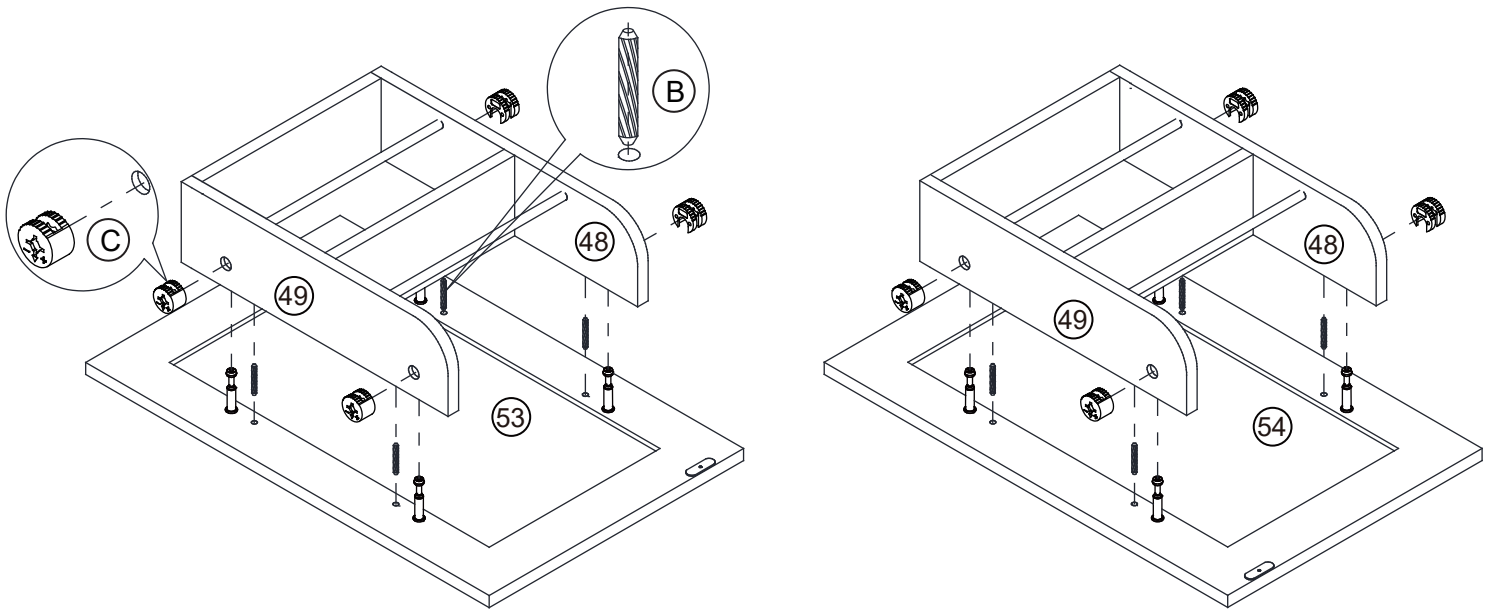


Shelf support pin x 2

28

Assembly Instructions

Step 43

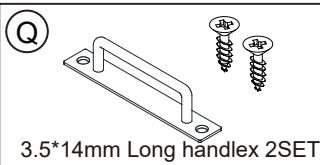
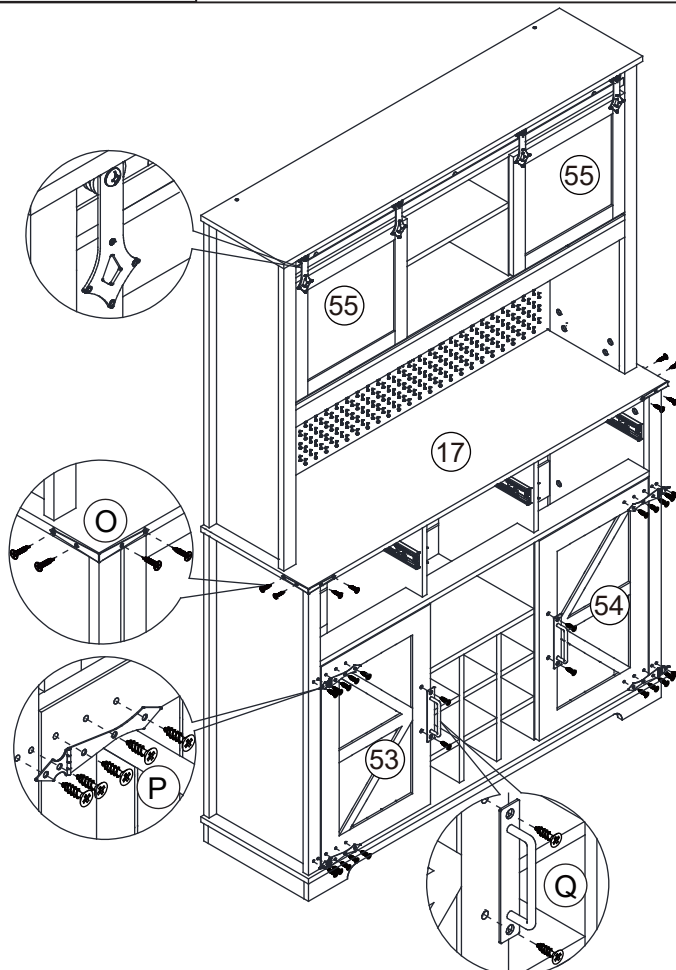


Dowel x 8

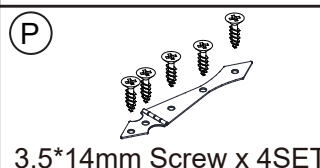


Cam lock x 8

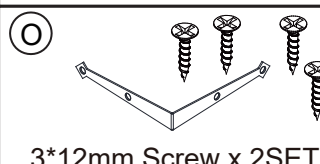
Step 44



3.5*14mm Long handlex 2SET



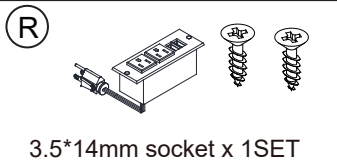
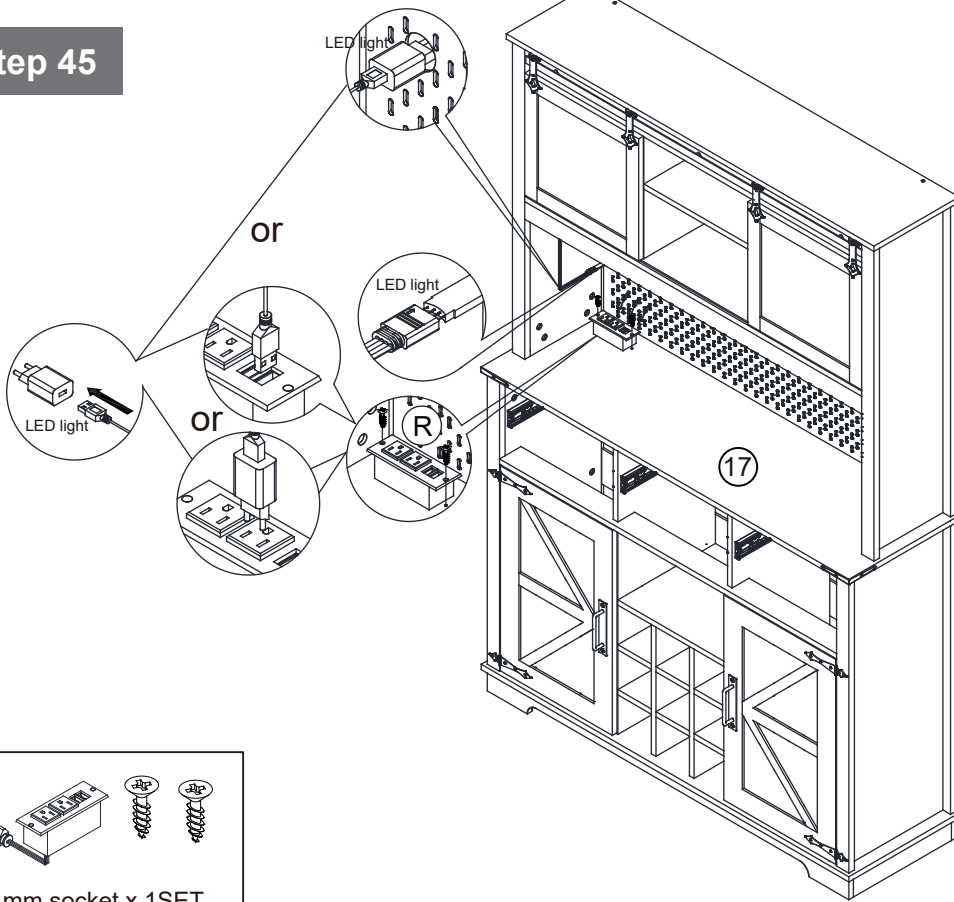
3.5*14mm Screw x 4SET



3*12mm Screw x 2SET

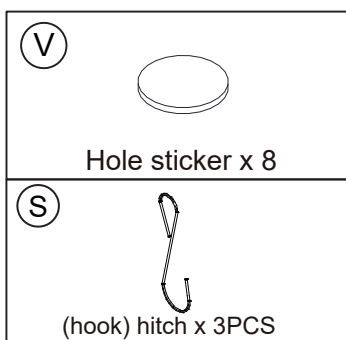
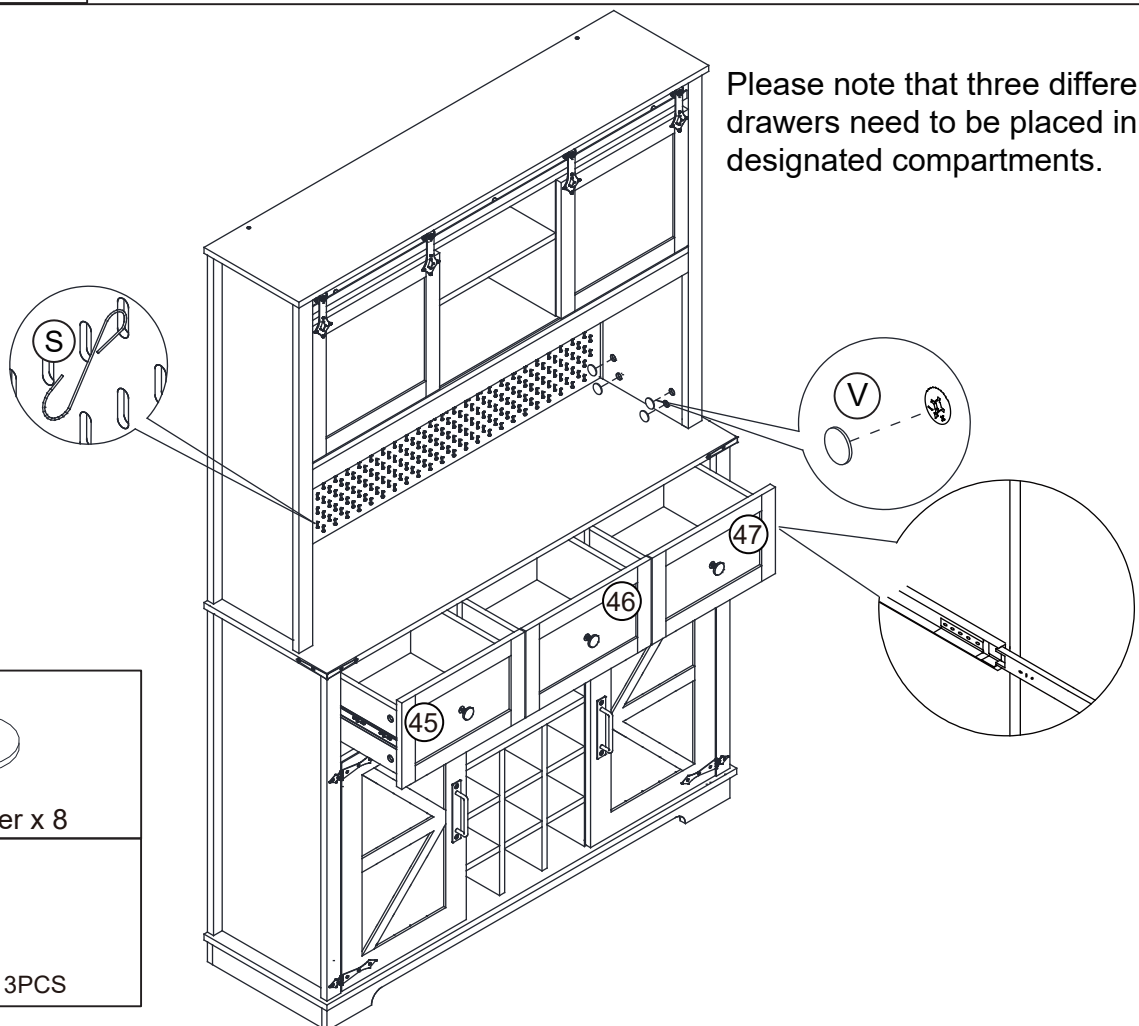
Assembly Instructions

Step 45



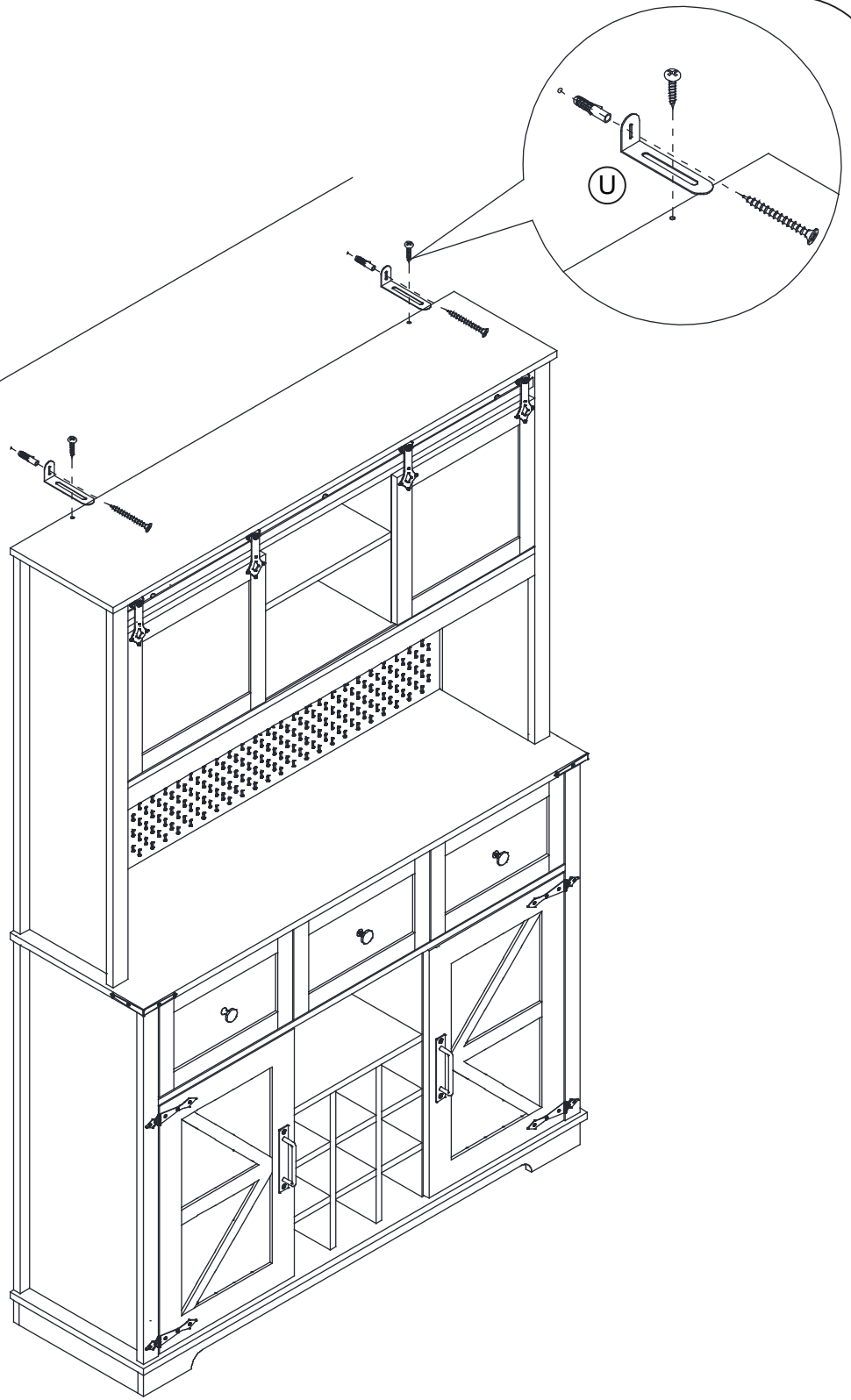
Step 46

Please note that three different drawers need to be placed in designated compartments.



Assembly Instructions

Step 47



Operation Instructions of Controller

I. Specifications:

Working temperature: -20-60°C

Product size: L62xW35xH23mm

Net weight:60g

Output: There CMOS drain- open output

Max load current: 2 A each color

Supply voltage:DC5V-12V

Package size: L105xW65xH55mm

Gross weight:70g

Connecting Mode:Common anode

II. Control Method:

Adopt IR remote to control the led controller, which has 24 buttons, the function of each button as the table below:

Brightness+ (Speed up)	Brightness- (Speed down)	Off	On
Static red	Static green	Static blue	Static white
Static orange	Static peagreen	Static dark blue	7 color jumpy change
Static dark yellow	Static cyan	Static brown	All fade out&fade in
Static yellow	Static light blue	Static pink	7 color fade change
Static straw yellow	Static sky blue	Static purple	3 bass color jumpy

III. Warning:

1. Supply vlotage of this product is DC5V-12V never connect to DC24V or AC220V.
2. Never connect two wires directly in case of short circuit.
3. Lead wire should be connected correctly according to colors that connecting diagram offers.
4. Warranty of this product is one year, in this period we guarantee replacement or repairing with no charge, but exclude the artificial situation of damaged or overload working.

