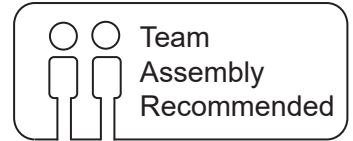
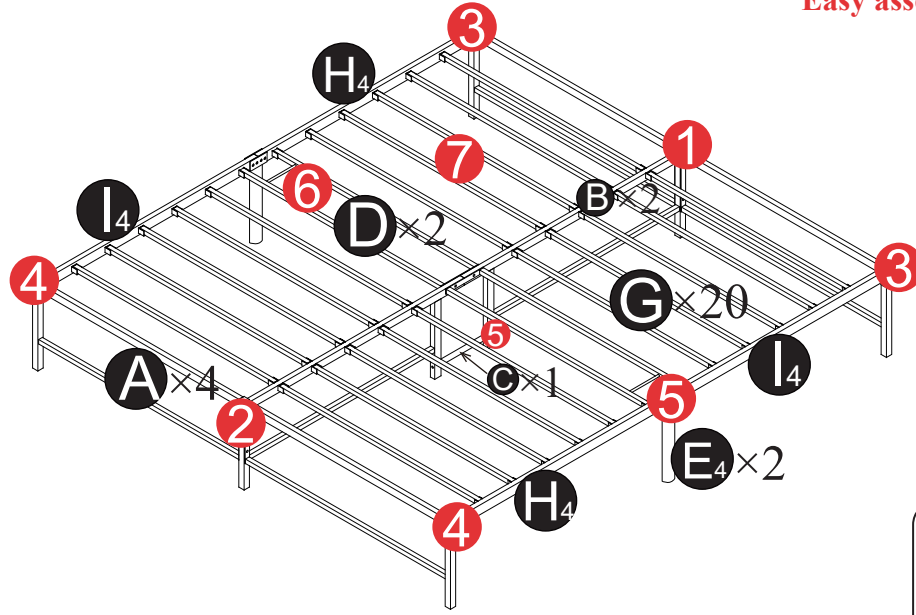


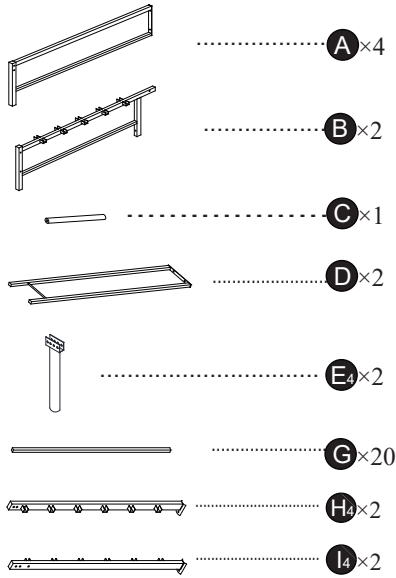
# Bed Frame Installation Manual

#Number System

Easy assembly by following 1,2,3...



## Componets

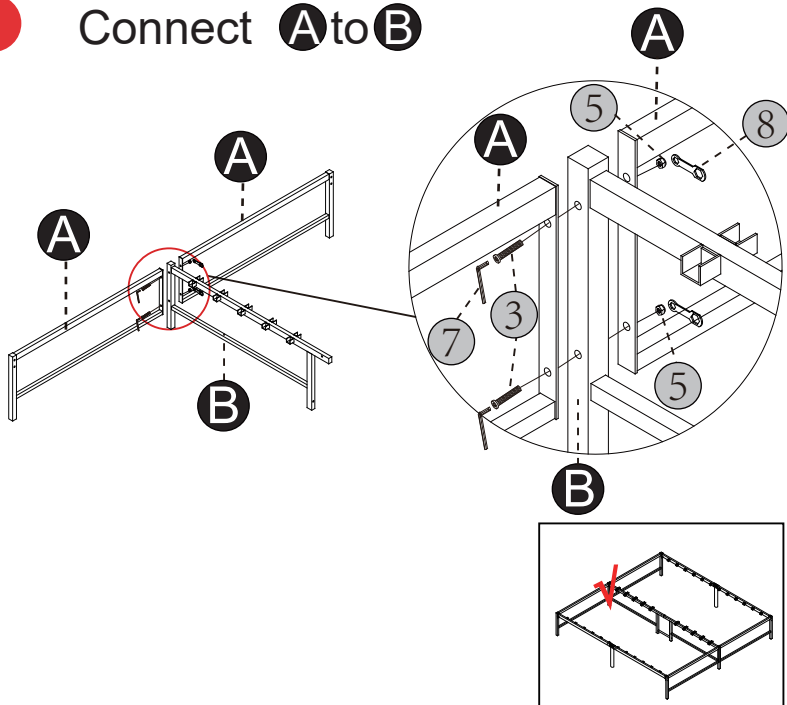


## Screws & Tools

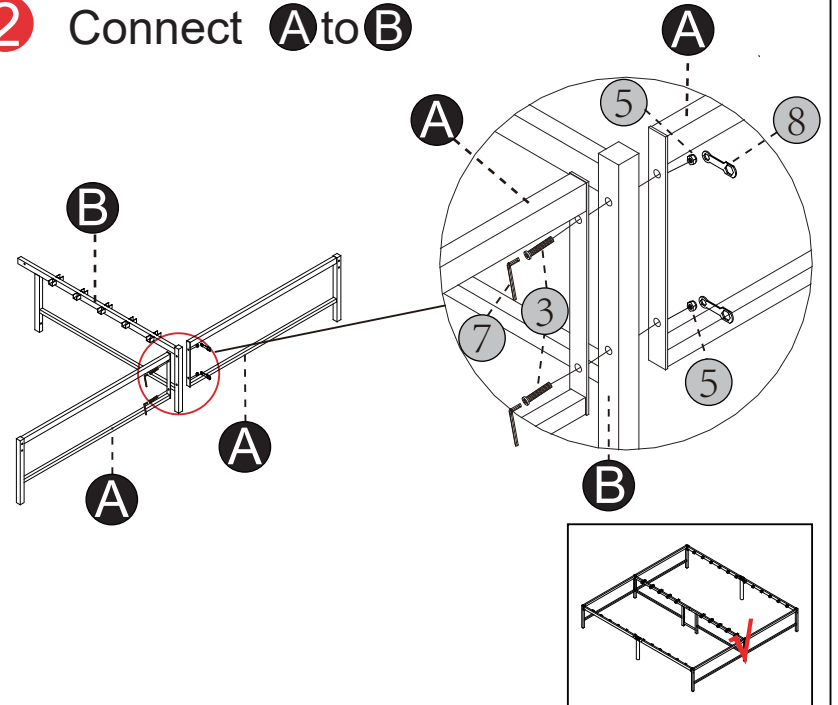
1		M8x40mm	x8
2		M8x35mm	x8
3		M6x40mm	x12
4		M6x15mm	x4
5		M6	x6
6		M8	x12
7		M5	x1
8		M13/M10	x1

Check all the components & screws before assembly.  
Do not install in case part is missing, contact us.

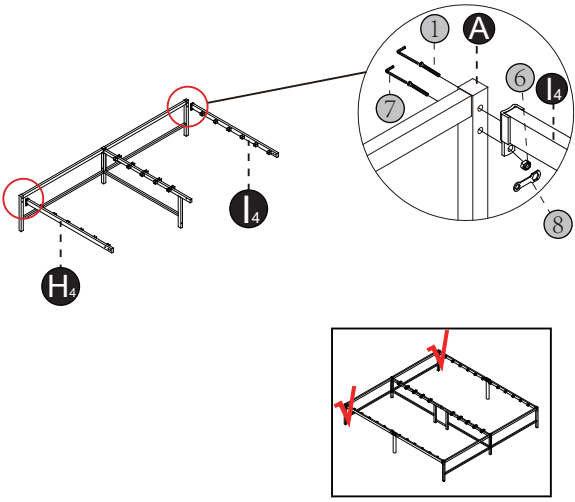
## 1 Connect A to B



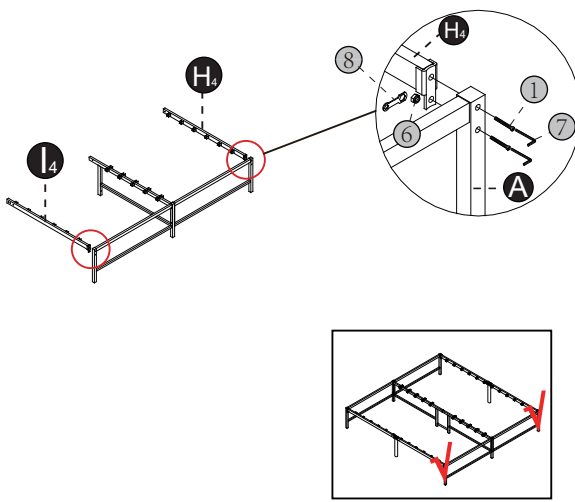
## 2 Connect A to B



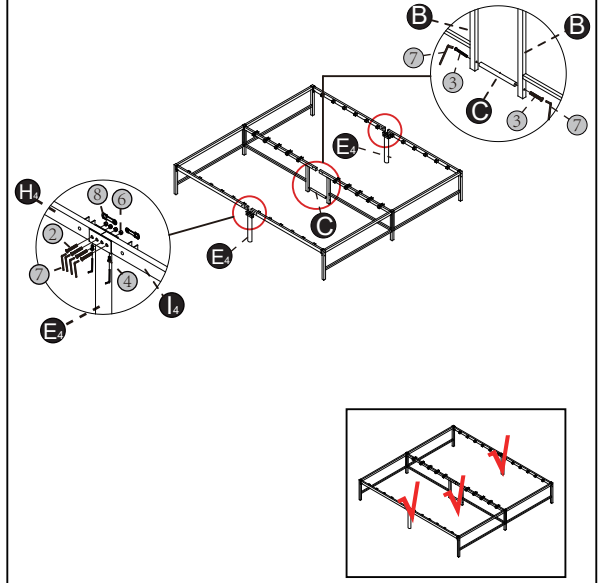
**3** Connect **H<sub>4</sub>** & **L<sub>4</sub>** to **A**



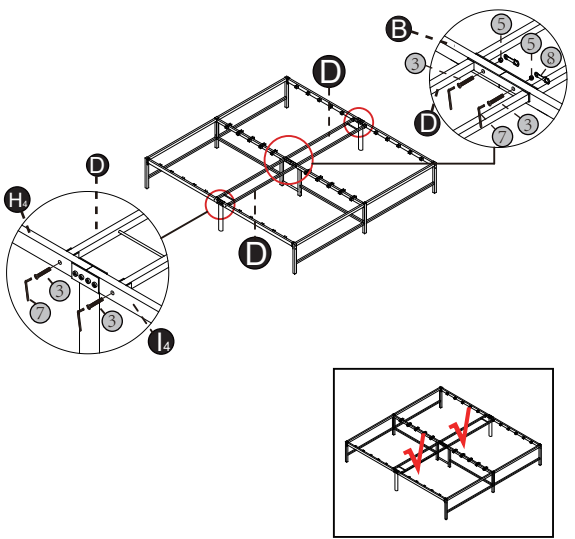
**4** Connect **H<sub>4</sub>** & **L<sub>4</sub>** to **A**



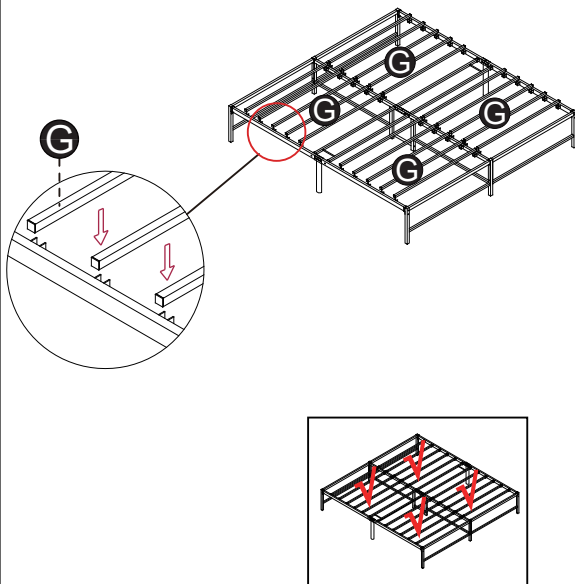
**5** Connect **E<sub>4</sub>** & **C**



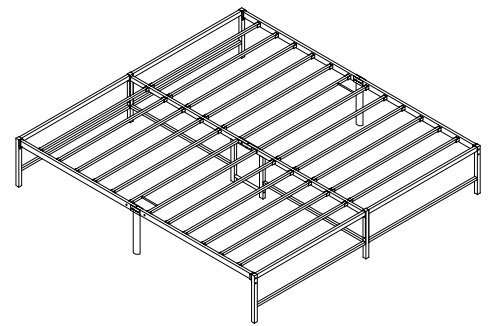
**6** Connect **D** to **H<sub>4</sub>**, **L<sub>4</sub>** & **B**



**7** Assemble bed slats



**8** Check and tighten all screws



## CAUTIONS!

