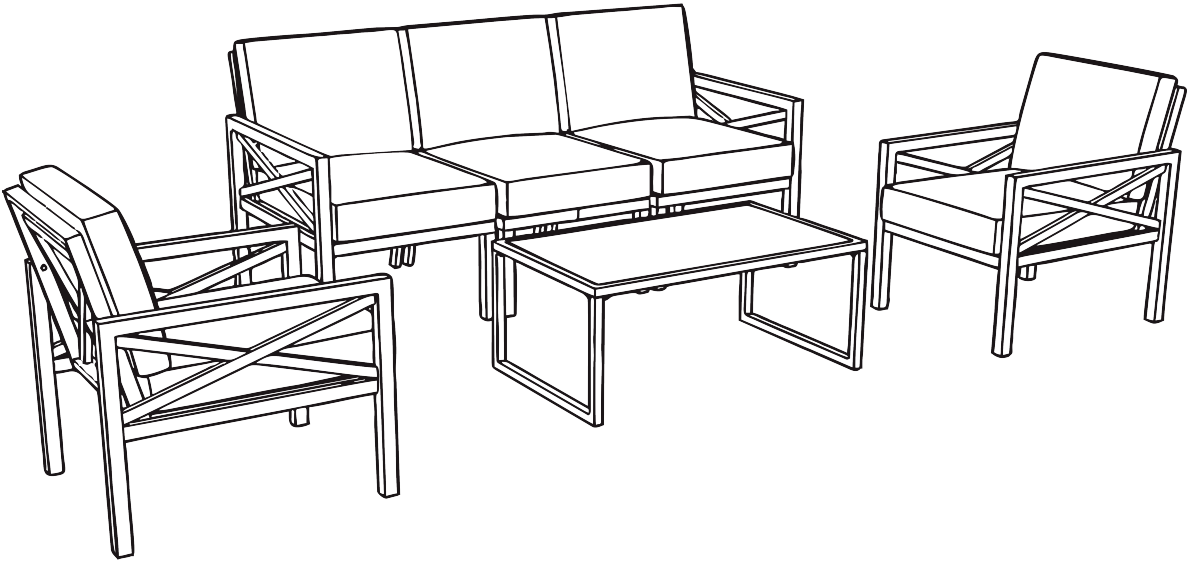
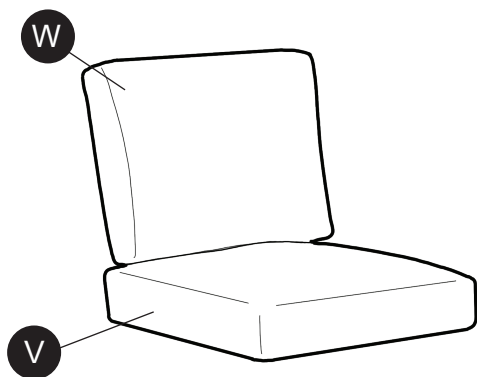
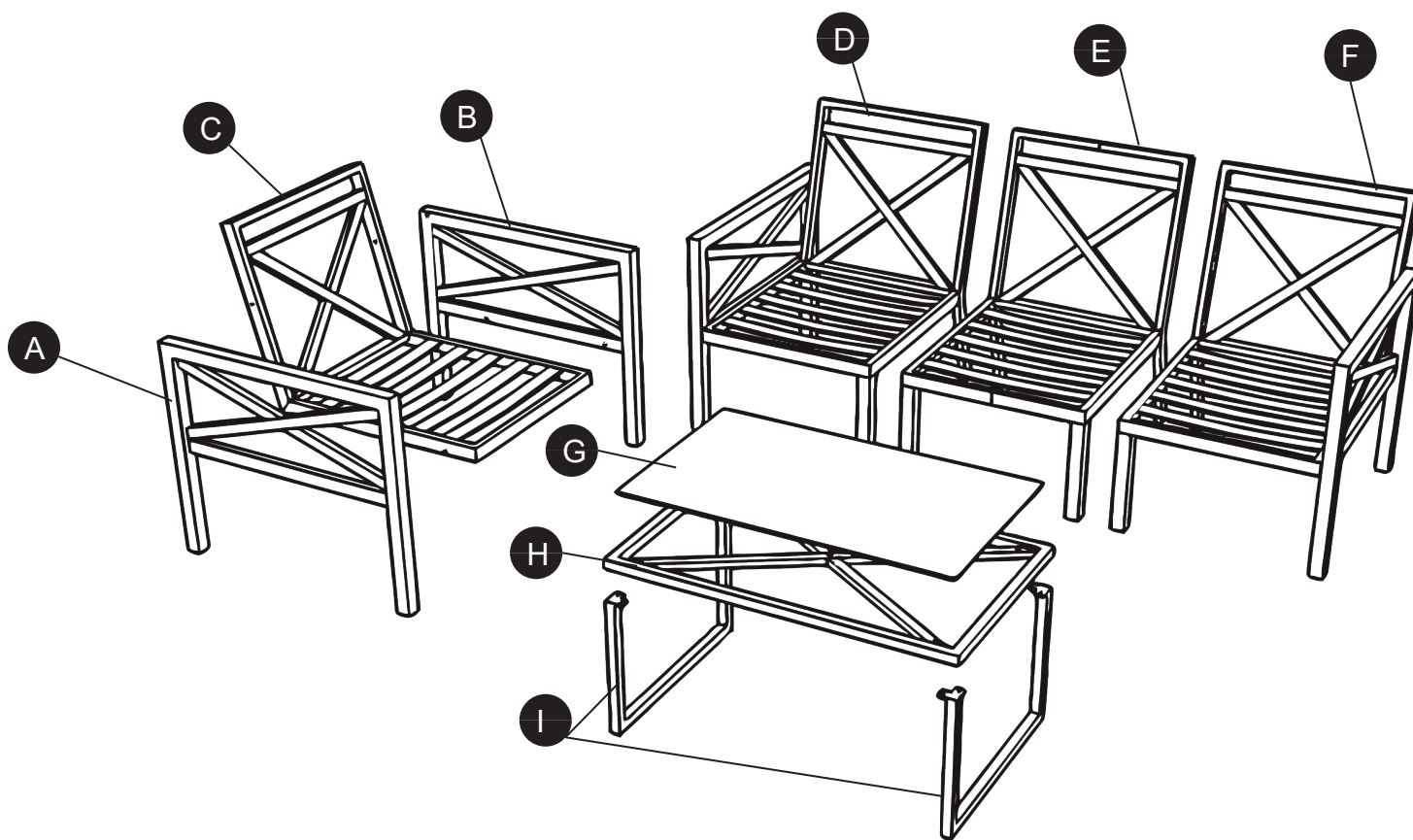


BLAKELY 6PC SEATING
ASSEMBLY INSTRUCTIONS



PACKAGE CONTENTS



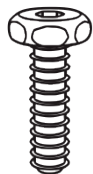
PART	DESCRIPTION	QTY
A	Right Arm when Seated	2
B	Left Arm when Seated	2
C	Chair bench	2
D	Right Arm Chair	1
E	Armless Chair	1
F	Left Arm Chair	1
G	Glass	1
H	Table Rim	1
I	Table Leg	2
V	Standard Seat Bottom	5
W	Standard Back Cushion	5

Note: You will also have 5 plastic bags containing your fabric covers.

5 Bags: Standard Seat Covers (1 bag contains both 1 bottom seat and 1 back cover)

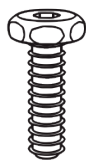
HARDWARE CONTENTS

AA



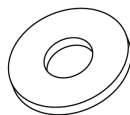
M6 Bolt x 35mm
Qty: 12

BB



M6 Bolt x 20mm
Qty: 8

CC



Washer
Qty: 20

DD



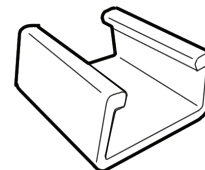
Plastic Bolt Cap
Qty: 20

EE



Allen Key
Qty: 1


FF



Chair Clips
Qty: 4

SAFETY INFORMATION

Please read and understand this entire manual before attempting to assemble, operate or install the product.

 **CAUTION:** Assemble on a soft, non-abrasive surface.

PREPARATION

Before beginning assembly of product, make sure all parts are present. Compare parts with the package contents list and hardware contents list. If any part is missing or damaged, do not attempt to assemble the product.

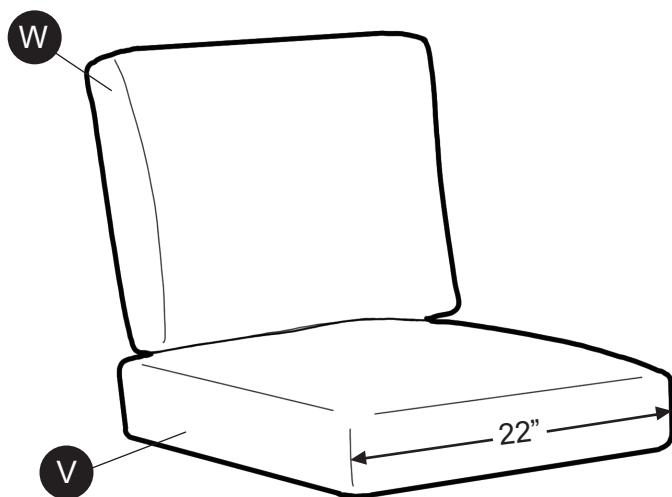
If you find a missing or damaged part, please look through all pieces to make sure nothing else is missing or damaged. Compile a comprehensive list and give us a call. We will send out all parts in a single shipment. Ensuring you have all missing parts identified at the time you call will ensure a faster delivery to complete your beautiful patio furniture.

CUSHION ASSEMBLY

Before beginning, make sure all cushions and covers are present. Make sure you have identified the difference in the seat bottoms and seat backs before pulling on the fabric covers.

PART	DESCRIPTION	QTY
V	Standard Seat Bottom	5
W	Standard Back Cushion	5

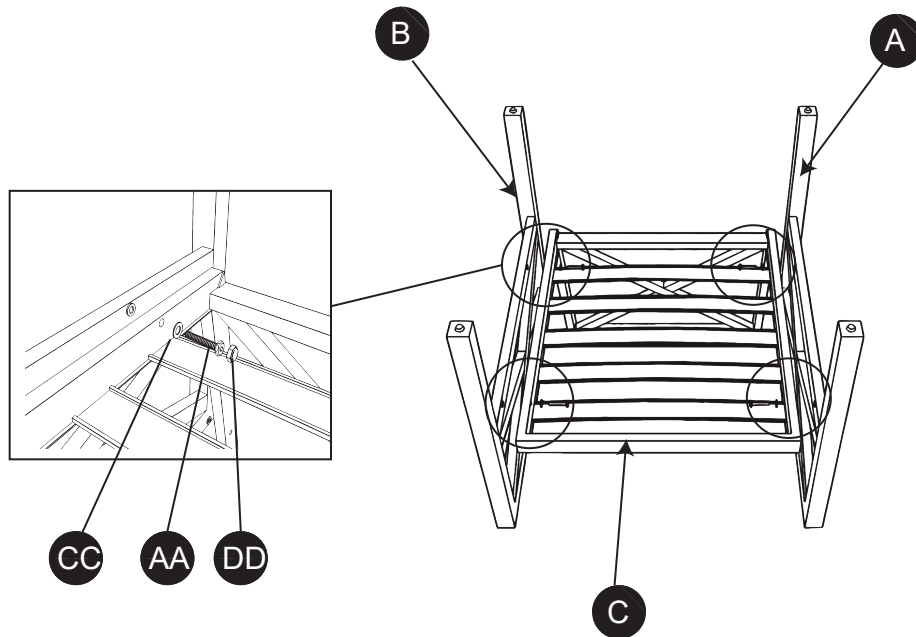
STANDARD CUSHION



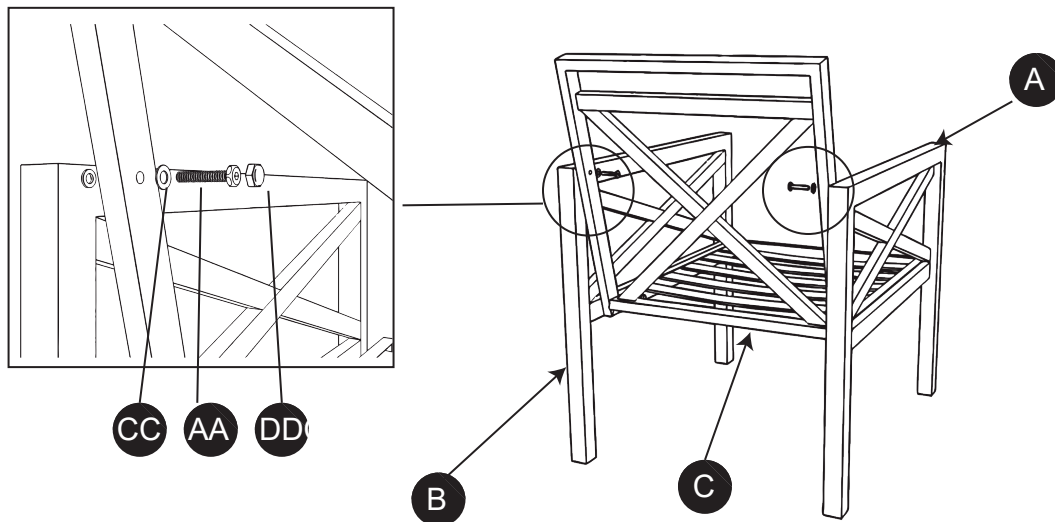
HELPFUL TIP: we call this the 'Taco Method'. Place the cushion between your knees and squeeze together to form a taco. This makes it much easier to pull on the cushion cover.

ASSEMBLY INSTRUCTIONS

1. Place chair bench (C) face down on a soft surface and fasten the chair arms (A&B) to the chair with the bolts (AA), and washers (CC) using the allen key (EE).

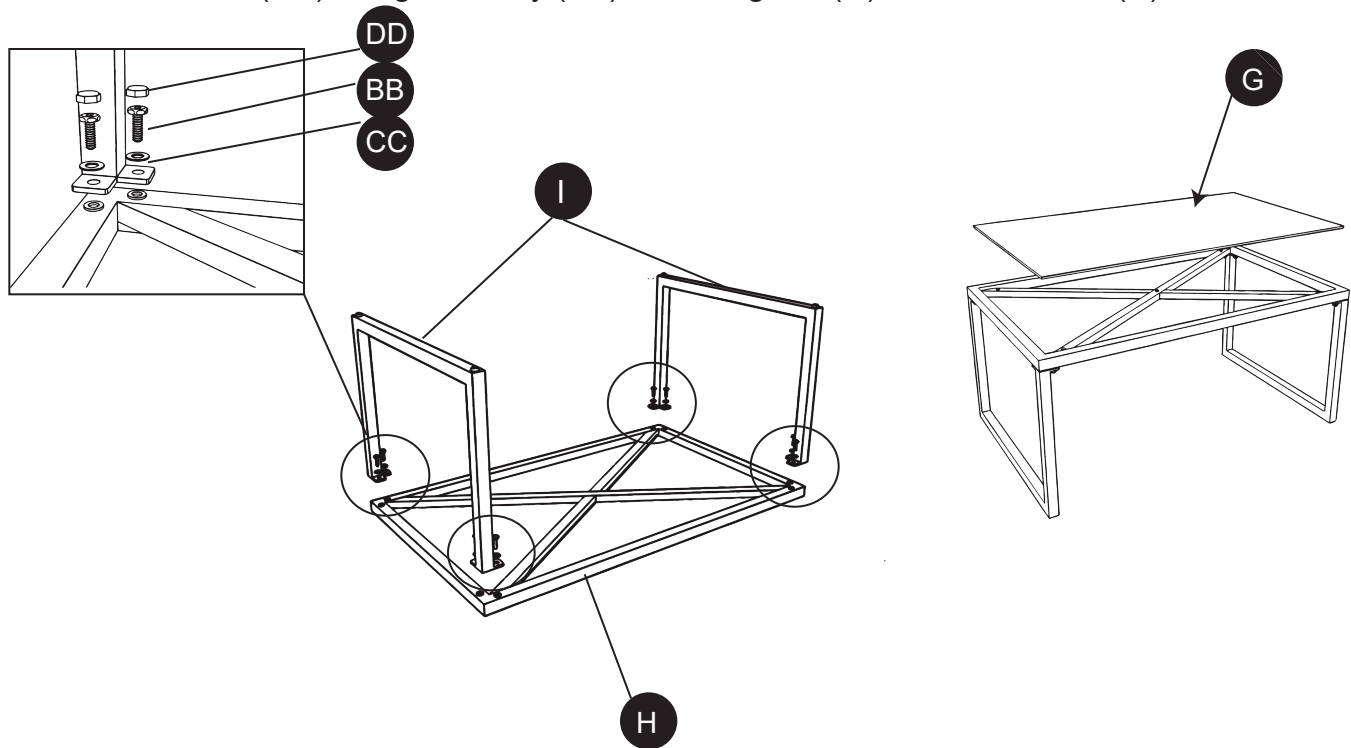


2. Turn the chair upside up, attach the chair bench (C) to the arms (A&B) by using the bolts (AA) washers (CC) and allen key (EE).



ASSEMBLY INSTRUCTIONS

3. Place table rim (H) face down on a soft surface and fasten the legs (I) to the table with bolts (BB) and washers (CC) using allen key (EE). Put the glass (G) on the table rim (H).



4. Lean the furniture back and attach clips (FF) to the underside of the frames to hold each chair together. Add the cushions on it. Enjoy your beautiful furniture!

