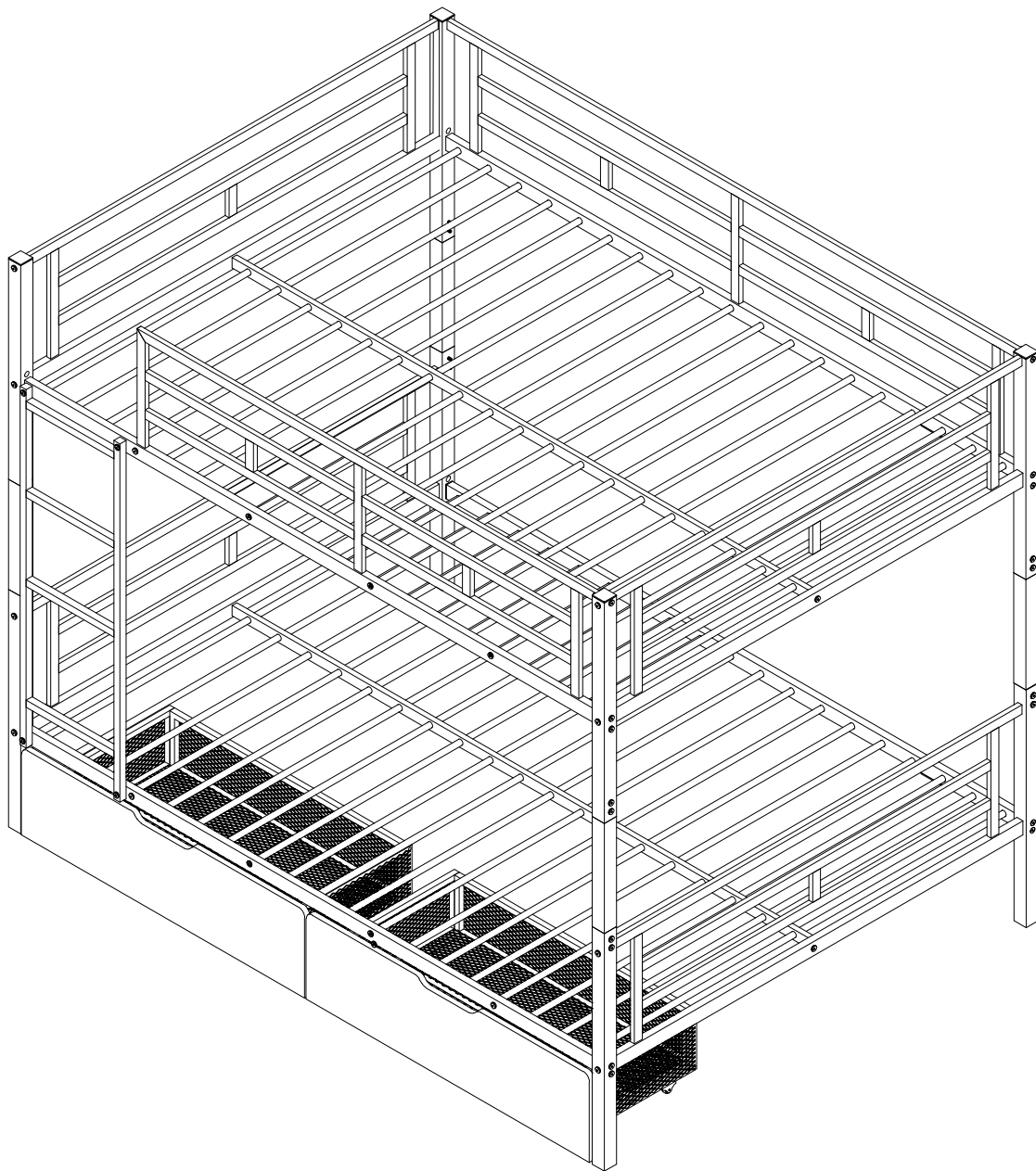


ASSEMBLY INSTRUCTIONS

FULL BUNK BED WITH DRAWER





SAFETY WARNING



1. This bed is designed for use only mattress (es) meeting the following specifications on the upper bunk, and lower bunk:

Down bed

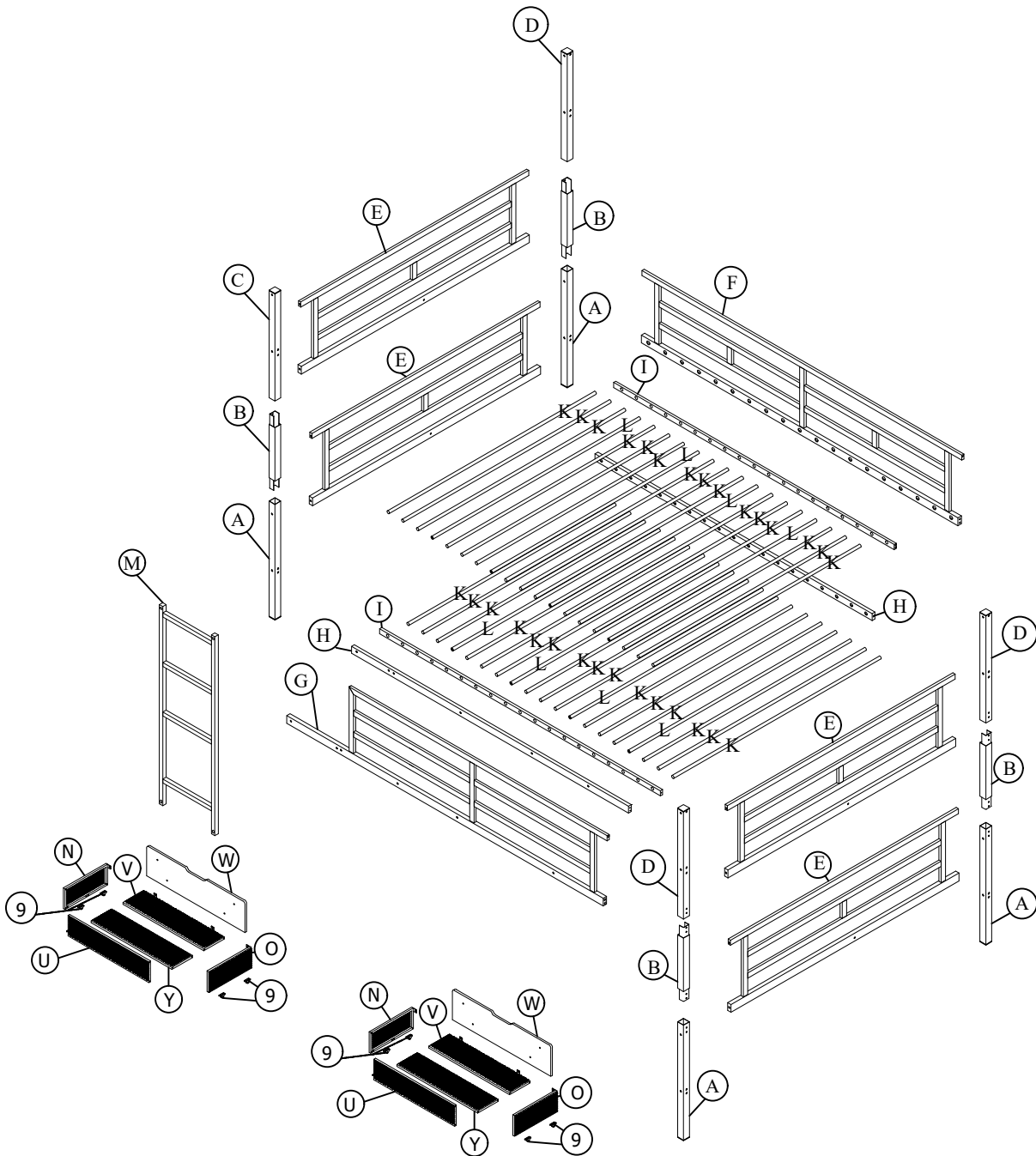
Bed type	Length	Width	Thickness
Full Standard	74"-75"	53"-54"	8"

Up bed (Bunk bed and tribed included)

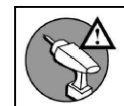
Bed type	Length	Width	Thickness
Full Standard	74"-75"	53"-54"	6"

2. Replacement parts, including additional guardrails, maybe obtained from any of our dealers
3. Follow the information on the warnings appearing on the upper bunk bed end structure and on the carton. Do not remove warning label from bed.
4. Always use the recommended size mattresses or mattress supports, or both, to help prevent the likelihood of entrapment or falls.
5. Surface of mattress must be at least 5" (127mm) below the upper edge of guardrails.
6. Do not allow children under 6 years of age to use the upper bunk.
7. Periodically check and ensure that the guardrail, ladder, and other components are in their proper position, free from damage, and that all connectors are tight.
8. Do not allow horseplay on or under the bed and prohibit jumping on the bed.
9. Always use the ladder for entering and leaving the upper bunk.
10. Do not use substitute part. Contact the manufacture or dealer for replacement part.
11. Use of a night light may provide added safety precaution for a child using the upper bunk.
12. Always use guardrails on both long sides of the upper bunk. If the bunk bed will be placed next to the wall, the guardrail that runs the full length of the bed should be placed against the wall to prevent entrapment between the bed and wall.
13. The use of water or sleep flotation mattresses is prohibited.
14. STRANGULATION HAZARD - Never attach or hang items to any part of the bunk bed that are not designed for use with the bed; for example, but not limited to, hook, belts and jump ropes.
15. Keep these instruction for future reference.
16. Prohibit more than one person on upper bunk
17. We recommend assembling your bunk bed on the shipping carton to protect your floor or carpet.
18. Be certain all staples are out of the box before beginning assembly on the shipping carton.

Detail View

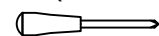


Hardware List
WF307448AAB



do not use power tools
assemble this product

ASSEMBLY TOOLS REQUIRED
(NOT INCLUDED)

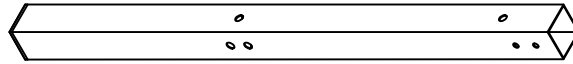


Phillip head screwdriver

1	1/4 x50		35pcs		ASSEMBLY TOOLS REQUIRED (NOT INCLUDED)		
2	1/4 x30		8pcs				
3	1/4 x25		24pcs	7	Ø6xØ13		103pcs
4	1/4 x15		32pcs	8	Ø6xØ16		4pcs
5	1/4 x10		8pcs	9	Wheel Ø22		8pcs
6	M4x10		16pcs	10	4 x48		1pc

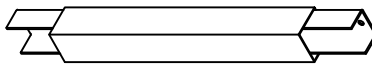
PARTS LIST

A



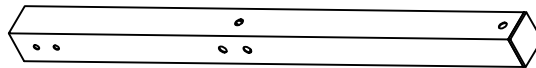
Qty-4pcs

B



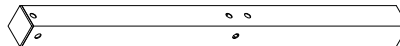
Qty-4pcs

C



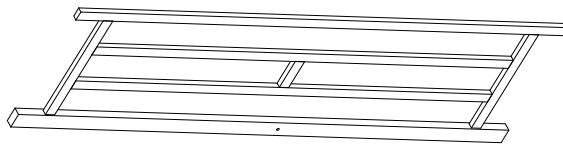
Qty-1pc

D



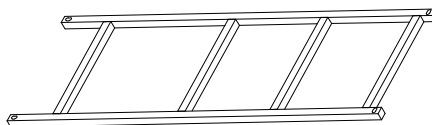
Qty-3pcs

E



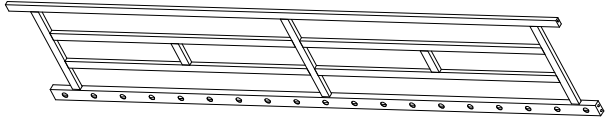
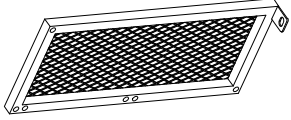
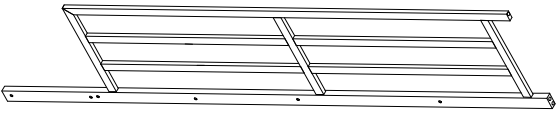
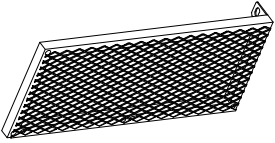

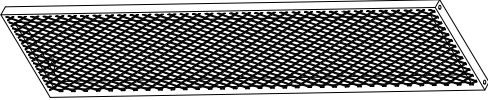

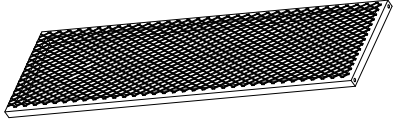

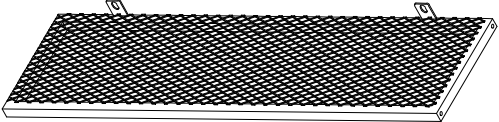
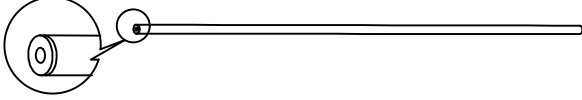
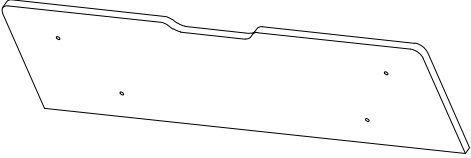
Qty-4pcs

M

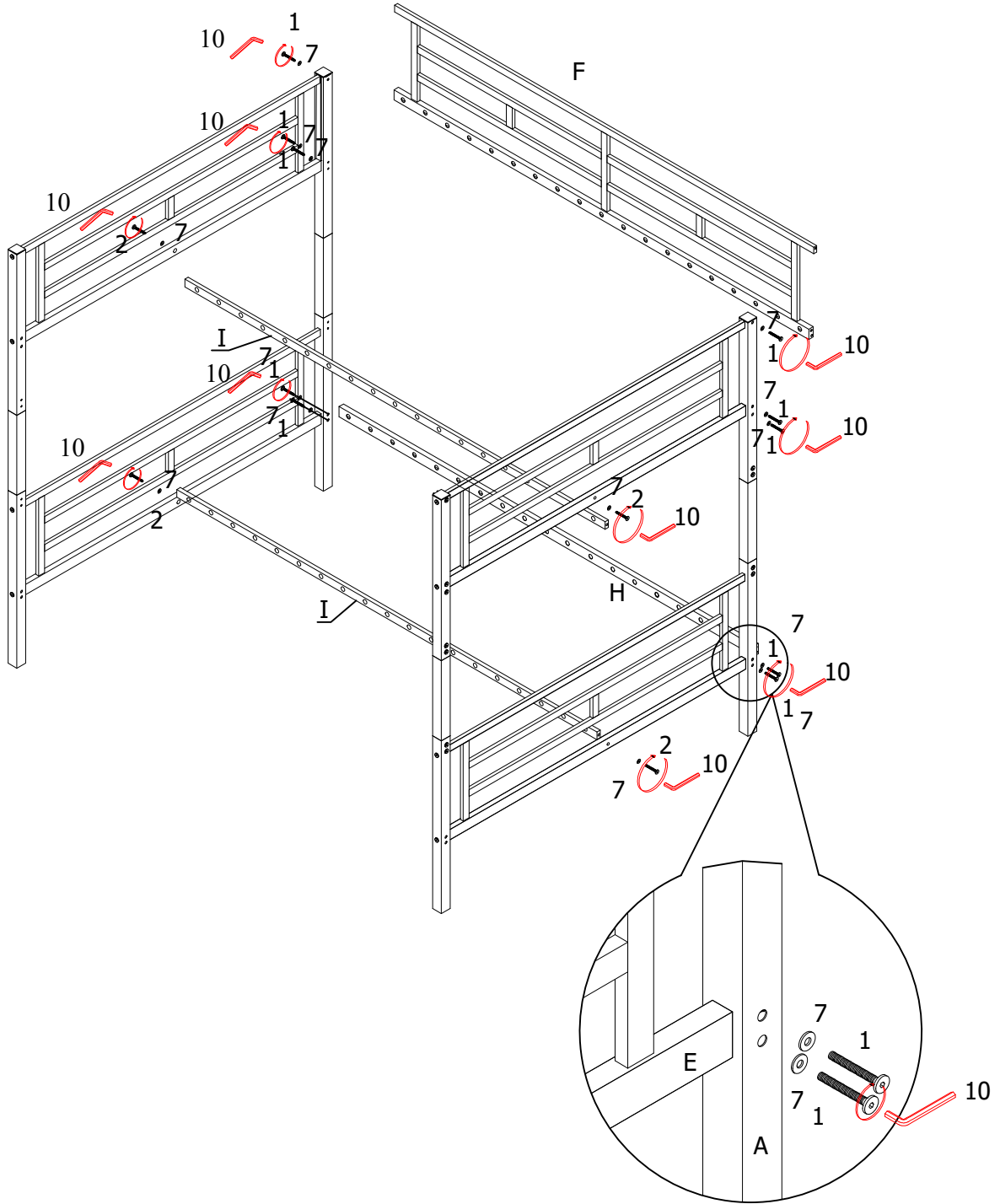





Qty-1pc

PARTS LIST

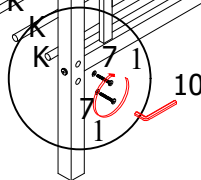
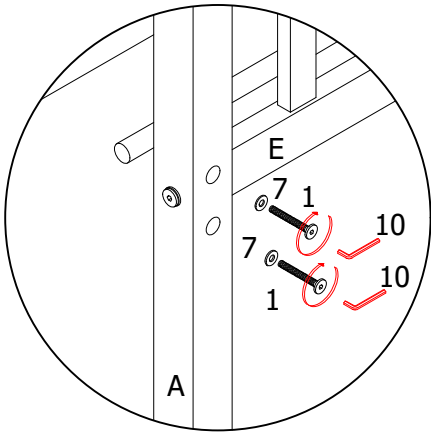
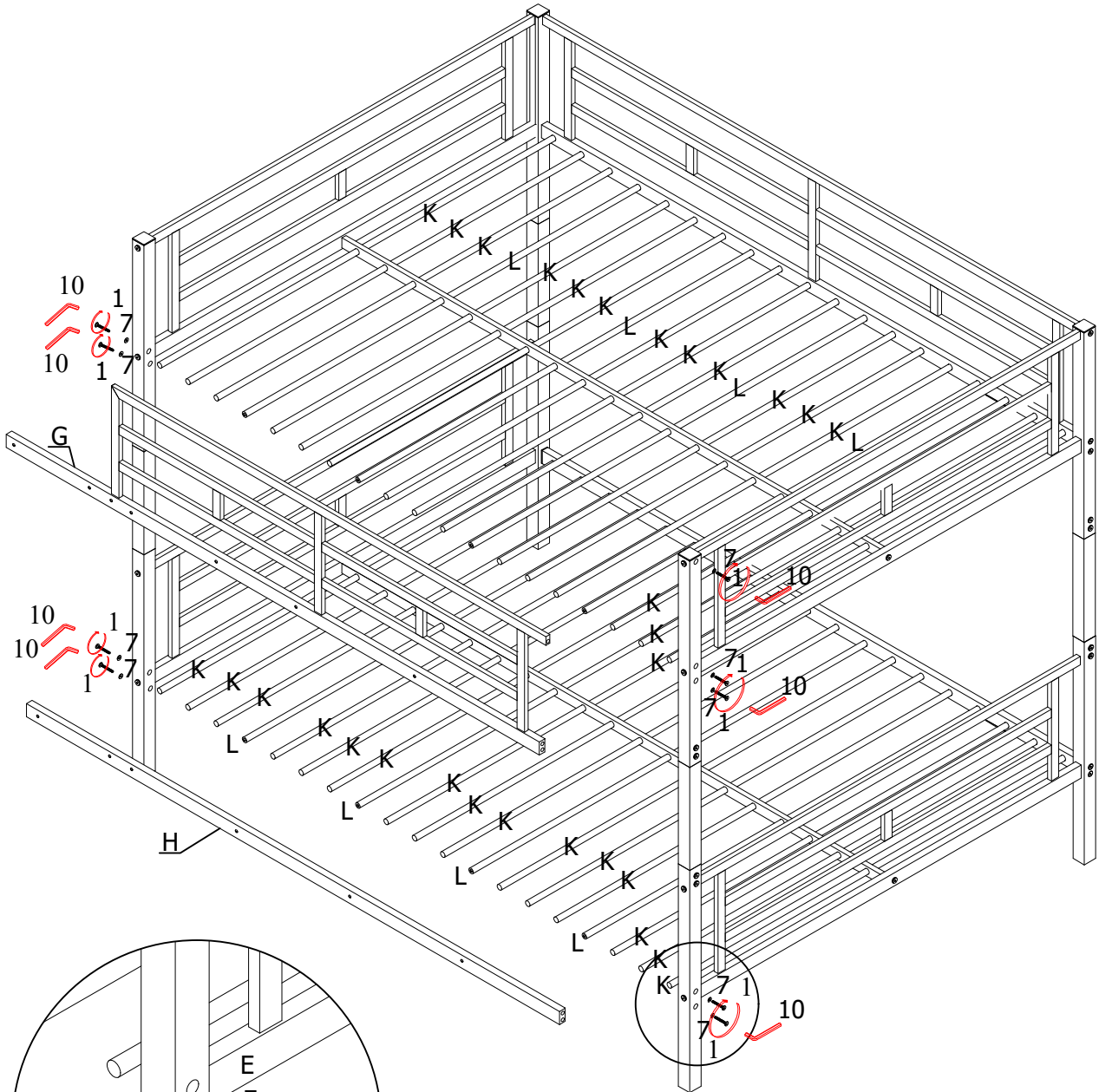
<p>F</p>  <p>Qty-1pc</p>	<p>N</p>  <p>Qty-2pcs</p>
<p>G</p>  <p>Qty-1pc</p>	<p>O</p>  <p>Qty-2pcs</p>
<p>H</p>  <p>Qty-2pcs</p>	<p>U</p>  <p>Qty-2pcs</p>
<p>I</p>  <p>Qty-2pcs</p>	<p>Y</p>  <p>Qty-2pcs</p>
<p>K</p>  <p>Qty-30pcs</p>	<p>V</p>  <p>Qty-2pcs</p>
<p>L</p>  <p>Qty-8pcs</p>	<p>W</p>  <p>Qty-2pcs wood panels</p>



STEP 2



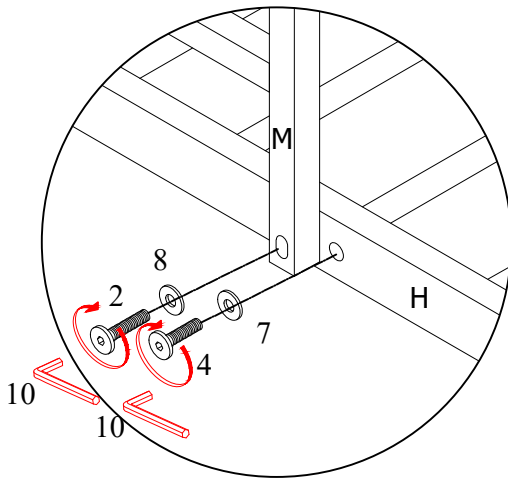
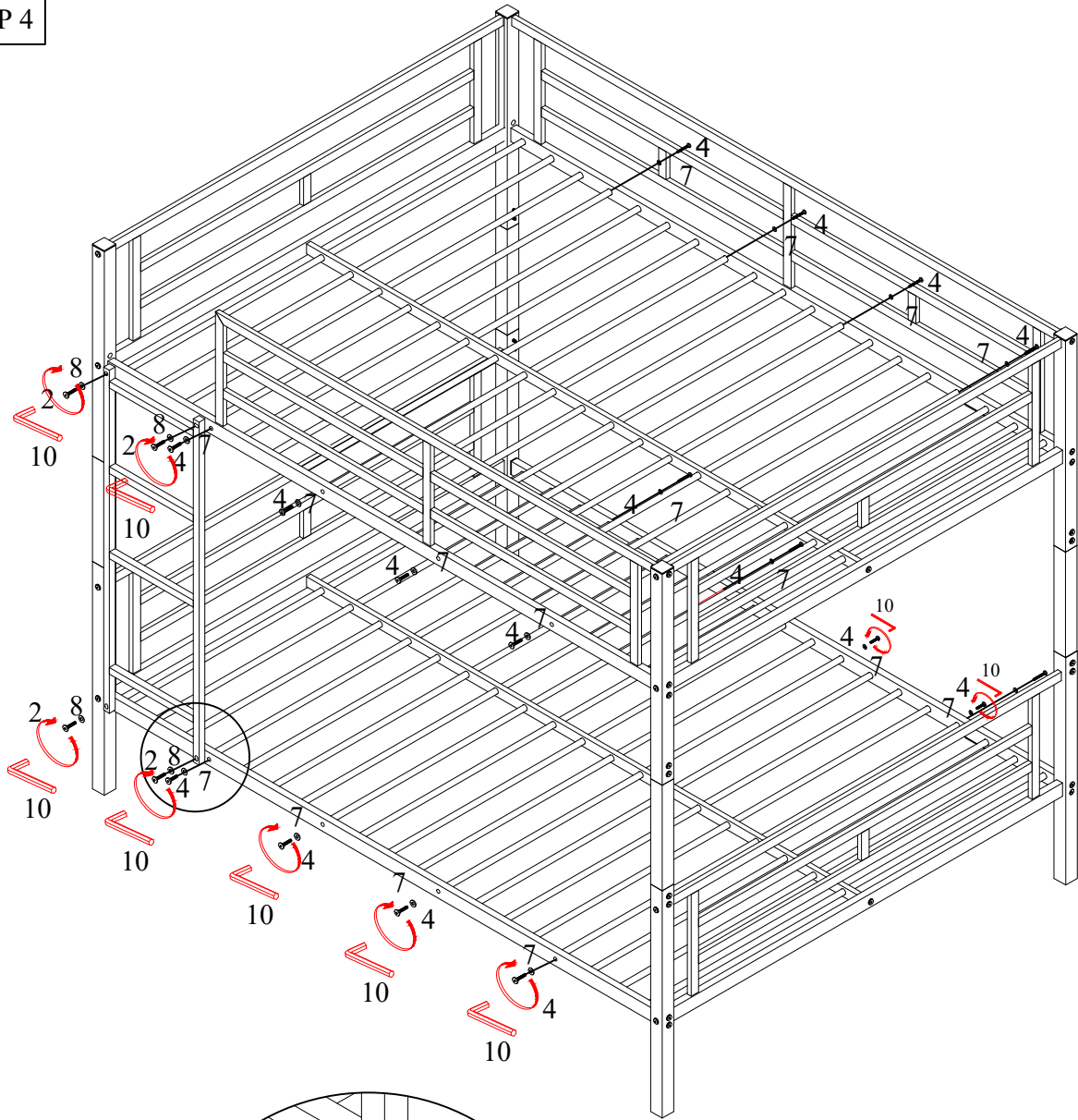
7		14pcs
2		4pcs
1		10pcs




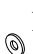
STEP 3



7		9pcs
1		9pcs

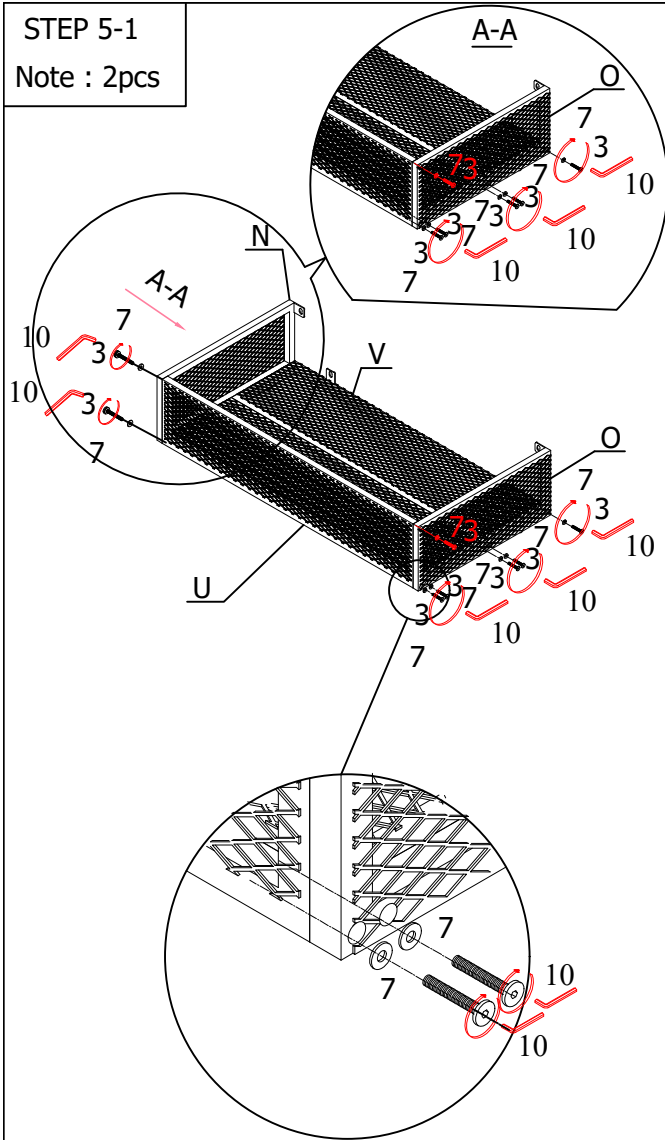
STEP 4





2	 4pcs	8	 4pcs
4	 16pcs	7	 16pcs

STEP 5-1

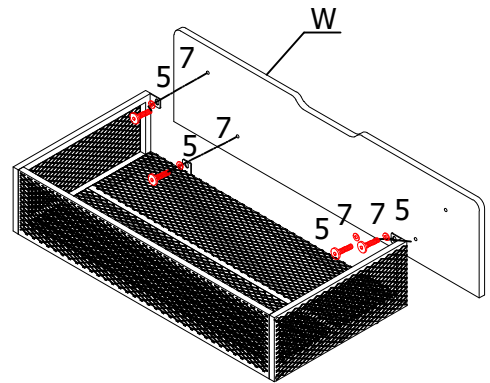
Note : 2pcs





7		24pcs
3		24pcs

STEP 5-2

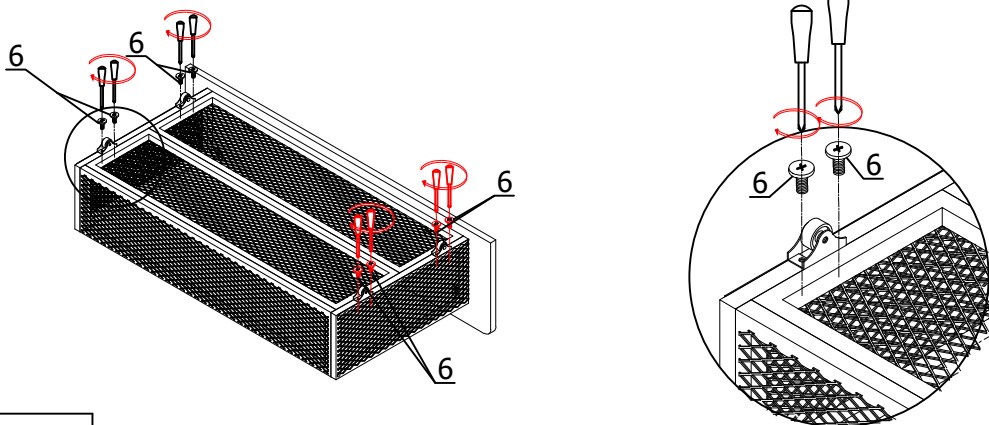
Note : 2pcs




7		8pcs
5		8pcs

STEP 5-3

Note : 2pcs



6		16pcs
---	---	-------

FULL BUNK BED WITH DRAWER

