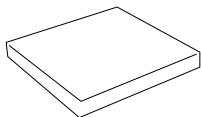
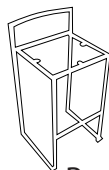


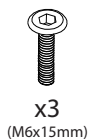
PARTS



A



B



x3
(M6x15mm)

C

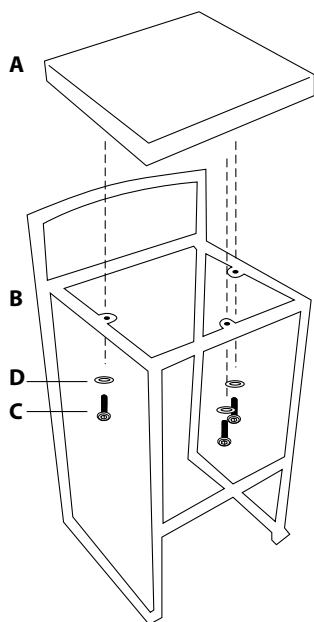


D

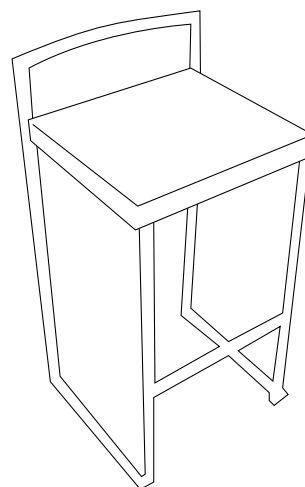


E

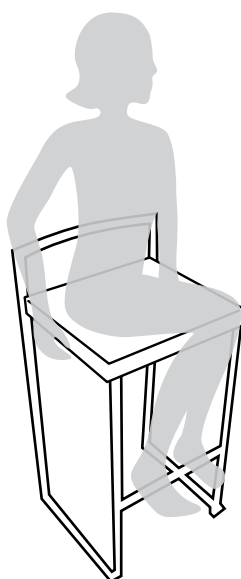
1



2



3



Do not over tighten.
Do not use power tools to assemble.