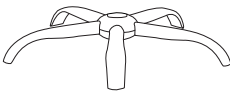


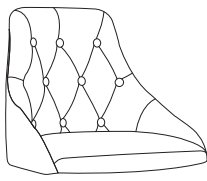
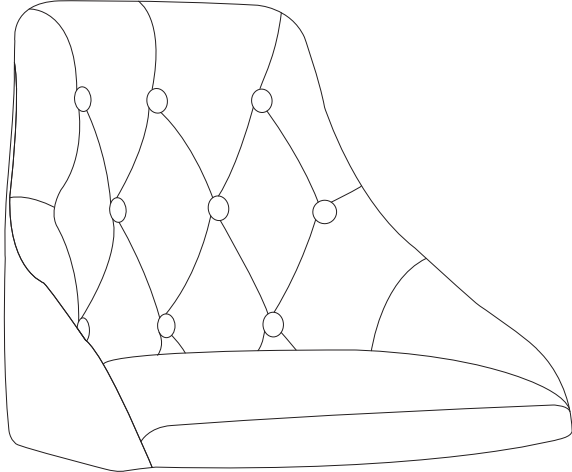


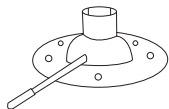
Assembly instructions for the chair base:

- Top Section:** Shows an L-shaped metal bracket and a power drill with a slash through it, indicating that a power drill should not be used. A warning triangle with an exclamation mark is positioned to the right. Below this is a clock icon with the text "30'", indicating a 30-minute assembly time.
- Bottom Section:** Shows a rectangular block being placed on a textured surface and a diagram of the block with a slash through it, indicating that the block should not be placed on a soft surface. A warning triangle with an exclamation mark is positioned to the right. Below this is a person icon with the text "1", indicating that one person is required for assembly.

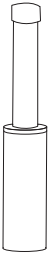
A	B	C	D
			
x 1	x 5	x 1	x 1



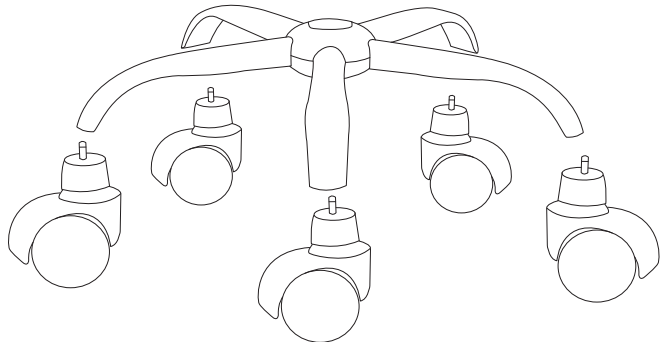
D x 1



E x 1

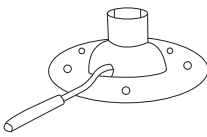
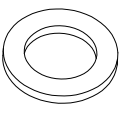
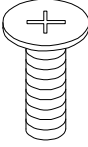
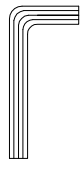


C x 1



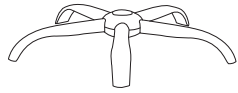
A x 1

B x 5

E	F	G	H
		 M6 x 16	
x 1	x 4	x 4	x 1

1

A

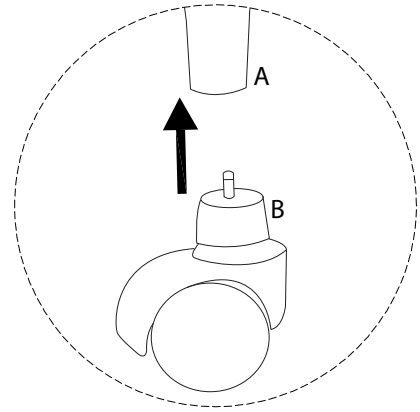
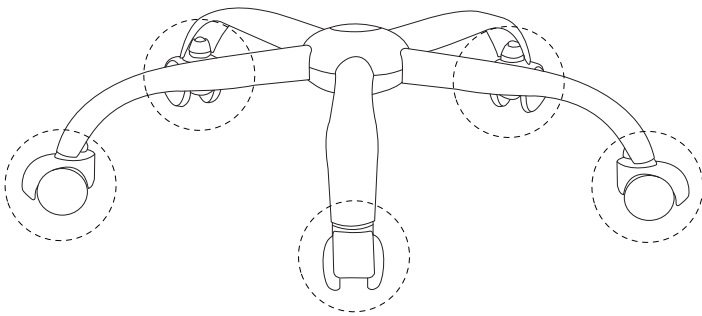


x 1

B



x 5



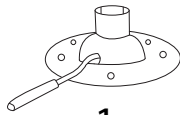
2

D



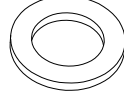
x 1

E



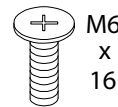
x 1

F



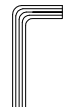
x 4

G

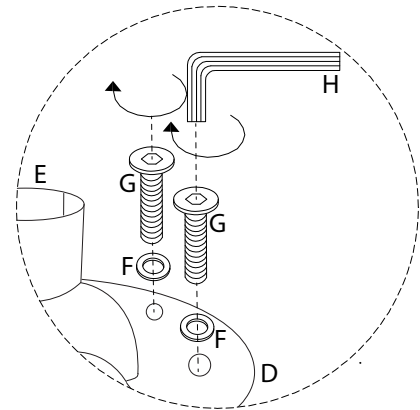
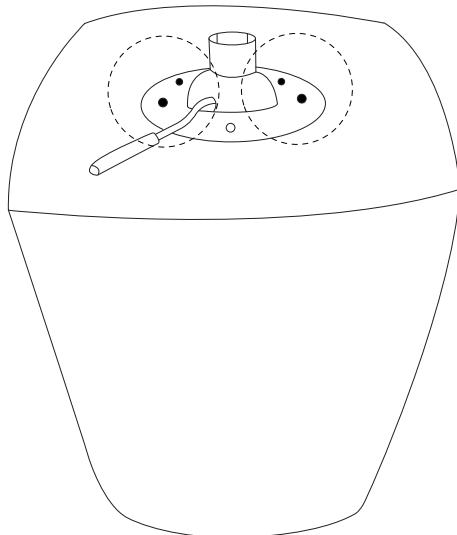


x 4

H



x 1



3

C



x1

