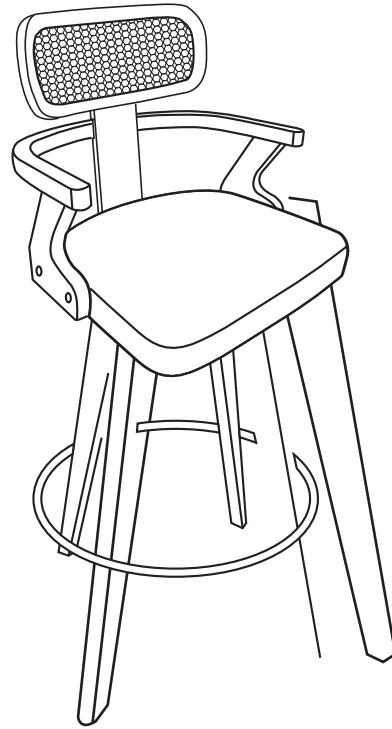
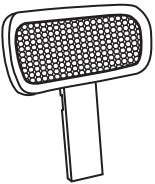
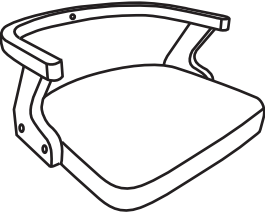
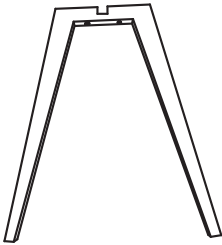
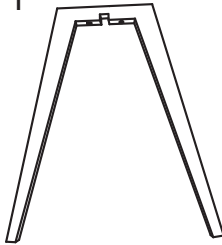
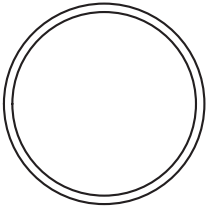
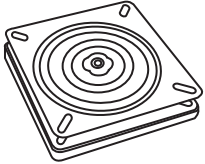

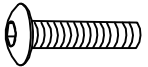
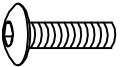
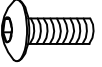



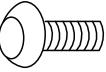


Installation & Assembly



| | | | | | | | |
|---|---|---|--|---|--|---|---|
| A*1  | B*1  | C*1  | D*1  | E*1  | F*1  | | |
| G*8+1  M6X45mm | H*1+1  M6X30mm | I*2+1  M6X25mm | J*2+1  M6X20mm | K*2+1  Rubber Washer | L*1  M6 | M*1+1  Plastic Cap | N*1  SPARE FOOT NAIL |

