

WARRANTY

We strive to offer high-quality product and we also try our best to satisfy each customer that orders from us with product or service as needed.

Each customer a record of their order such as the order number ,or item receipt for any items that are out of the warranty period you may also still receive replacement parts by purchasing them with our company if they are available.

**Are you having difficulty
with assembly? Missing parts?**

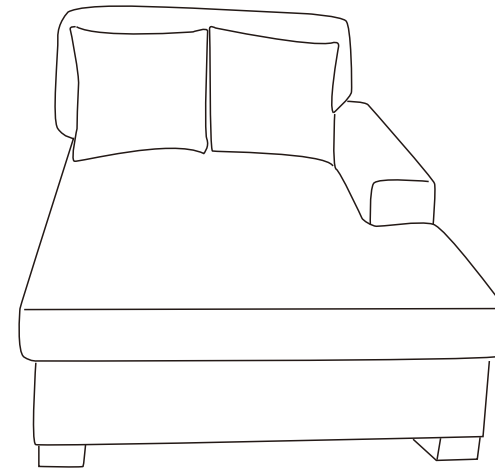
**Please contact us : info@firstopintl.com
telephone No.:5627813327**

send an email with your order No. to us

**For return, please check the return policy with
the retailer or market place you bought from.**

Appreciate your purchasing from us.

Pop up your life by our furniture !

The logo for Wixé, featuring the word "wixé" in a bold, lowercase, sans-serif font. The letter "i" is stylized with a grey leaf-like shape above it.

ITEM NO.CS0007-CHAISE LONGUE

NOTE:

This brochure contains IMPORTANT safety info. Please read and keep for future reference.

MAINTAINANCE AND WARNING

- Keep furniture away from heat and fire.
- Keep furniture away from sharp objects.
- Do not clean furniture with harsh cleansers or polish. Do not use detergents, Solvents, abrasives, spray packs or leather cleaner. Use non-color mild soap with warm water clean spills(Mix 1:10 soap to water)
- Do not place furniture under direct sunlight, material will possibly fade over time.
- Do not jump or strike on the furniture.
- Do not write on furniture without a padded barrier to protect the surface.
- Not for commercial use, For residential use only.



Weight Limitation

400LBS

PARTS LIST

A*1



Seat cushion packed
in compression bag x1

B*1



Back cushion

C*1



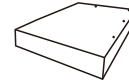
Armrest frame

D*1



Backrest frame

E*1



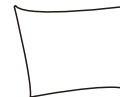
Sofa frame

F*1



Headrest

G*2



Pillows

HARDWARE and TOOL LIST

H*4



Sofa foot

I*1



Allen key

J*6



Screw&shim

One of them is a backup

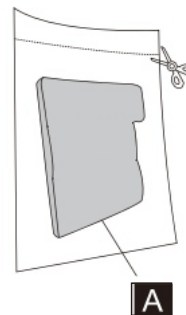
K*1



Hook

ASSEMBLY INSTRUCTIONS

step 1

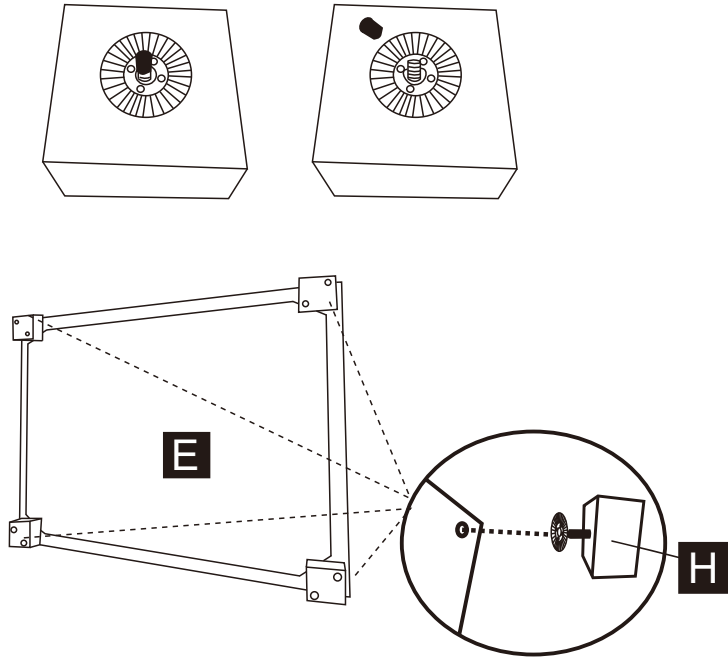


Take the cushion out of the compression bag and allow it to recover for a period of time, it takes about 24 hours for the cushion to fully recover, and you can slap the cushion to speed up the recovery.

Be sure to check all packing material fitting the packing list. Be careful for small parts, which may have come loose inside the carton during shipment.

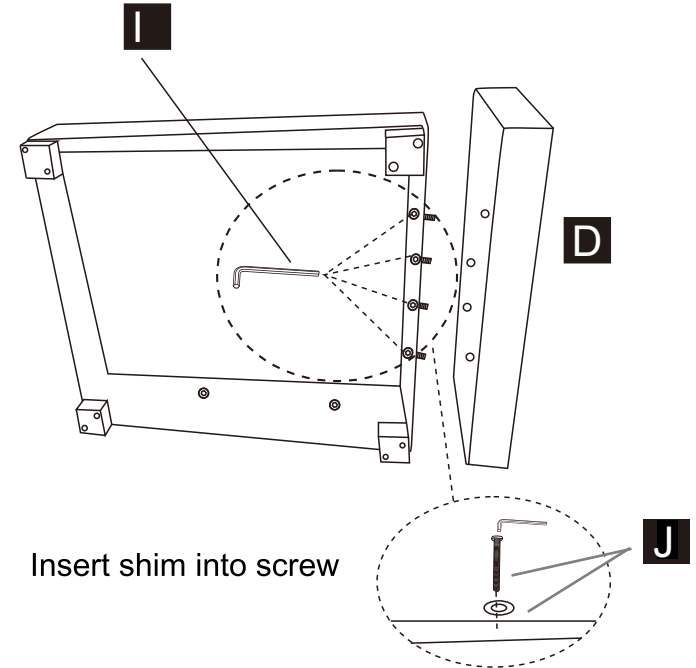
step2

Remove the plastic cover from the sofa leg screw



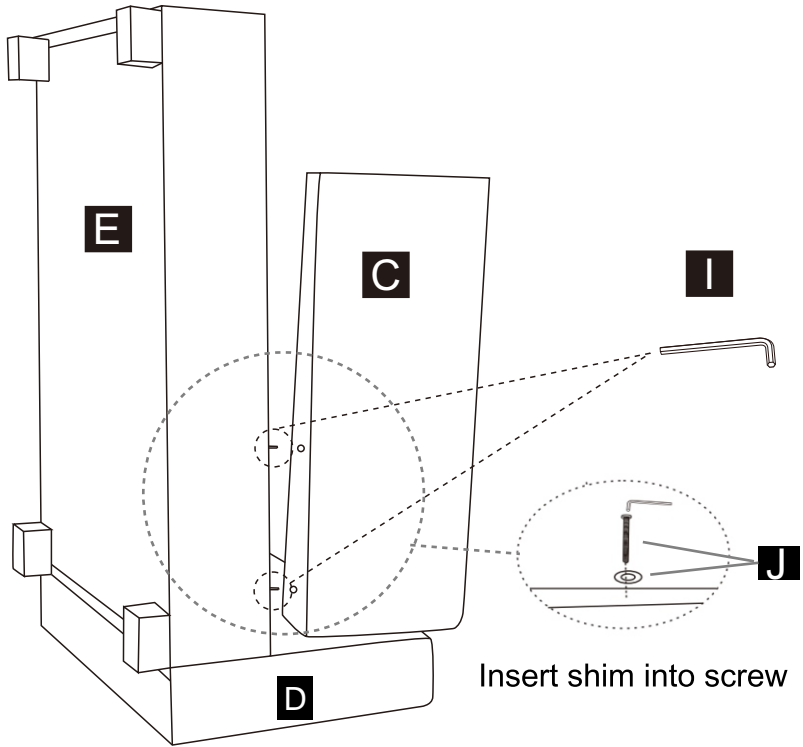
Place the bottom of the sofa frame upward on a clean place, align the screw of the wooden foot with the screw hole reserved at the bottom of the sofa and rotate clockwise to install the wooden foot firmly.

step3



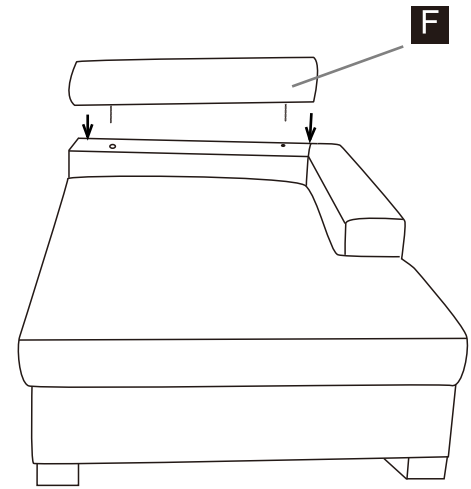
Place the seat frame on the side on a clean plane, make the side with four holes of the seat frame is close to the backrest, make the assembly holes of the seat frame are aligned with the assembly holes of the backrest (when the backrest and the seat frame are aligned on both sides, the assembly holes of the seat frame and the backrest are aligned), and use a screw to tighten the assembly of the backrest and the seat frame. (Screw each screw to 50% first, and when all 4 screws are screwed on, use the Allen key to completely tighten all screws.)

step4



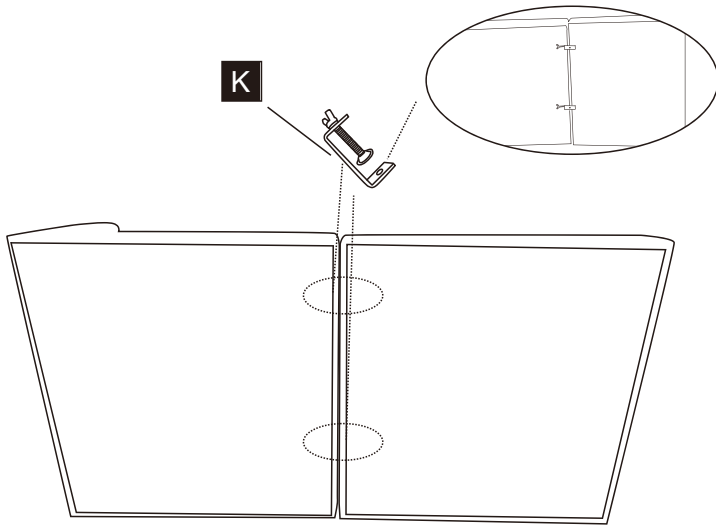
Turn the seat frame with the backrest in a different direction, turn the backrest down, pick up the armrest frame and align the 2 reserved screw holes, and tighten them to completely fix.

step5



Insert headrest down

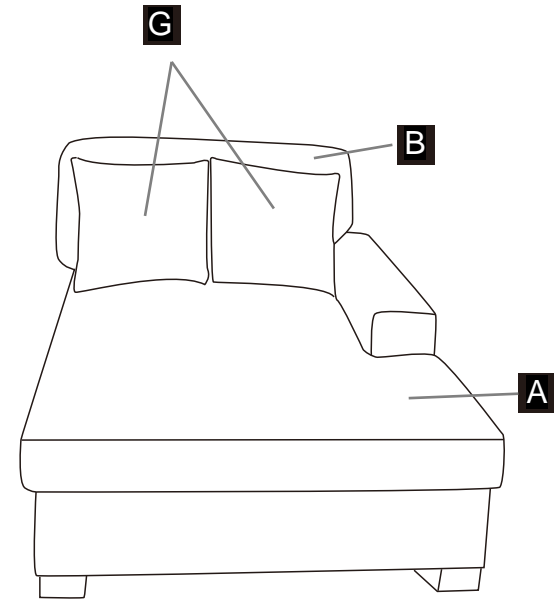
step 6



One hook in each seat spare parts bag

There is a metal hook connectors inside the carton of the left and right unilateral sofa, and if you are using a unilateral sofa, this hook is not useful. If you need to use the left and right unilateral sofa together, please place the bottom of the left and right sofa upward on a clean plane before the rod pillow at the top of the back is inserted, align the left and right unilateral sofa before and after and try to keep it close, use the metal hook in the left and right packing box, seize the combined sofa 40 cm away from the front and back of the sofa, and then tighten the screw. Turn the assembled sofa tightly together, face up, and insert the cylindrical pillow.

step 7



Clean the excessive thread ends on the sofa frame. Tidy up the cushion/pillow/armrest of the sofa to make it beautiful and the assembly is completed.