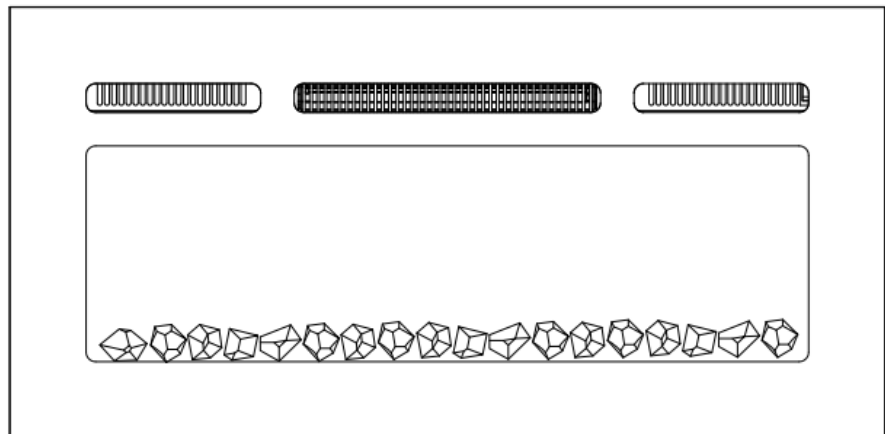
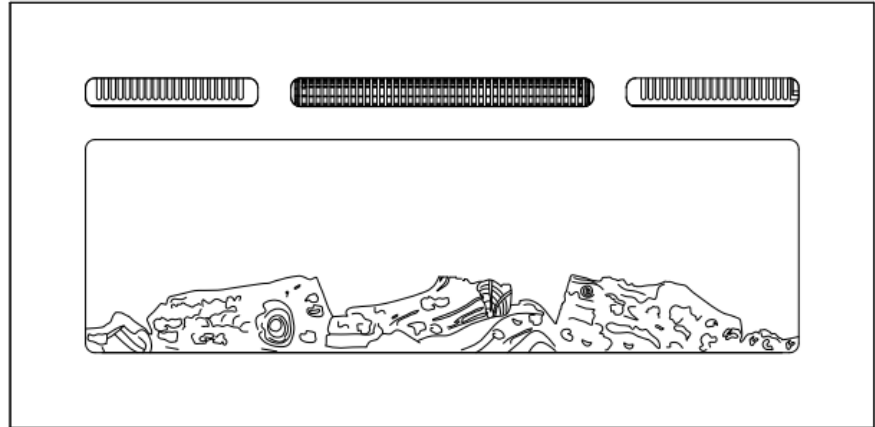

INSTALLATION AND USER INSTRUCTION GUIDE



Electric Fire With Remote Control

Please read all instructions carefully and
retain for future reference

IMPORTANT: THESE INSTRUCTIONS SHOULD BE READ CAREFULLY AND RETAINED FOR FUTURE REFERENCE.

Important Safety Instructions

When using this electrical appliance, basic precautions should be followed to reduce the risk of fire, electric shock, and injury to person, including the following:

- This appliance can be used by children aged from 8 years and above and persons with reduced physical, sensory or mental capabilities or lack of experience and knowledge if they have been given supervision or instruction concerning use of the appliance in a safe way and understand the hazards involved.
- Children shall not play with the appliance. Cleaning and user maintenance shall not be made by children without supervision.
- Children of less than 3 years should be kept away unless continuously supervised.
- Children aged from 3 years and less than 8 years shall only switch on/off the appliance provided that it has been placed or installed in its intended normal operating position and they have been given supervision or instruction concerning use of the appliance in a safe way and understand the hazards involved. Children aged from 3 years and less than 8 years shall not plug in, regulate and clean the appliance or perform user maintenance.
- This heater must be used on an AC supply only and the voltage marked on the heater must correspond to the supply voltage.
- Do not switch the appliance on until it properly installed as described in this manual.
- Keep furniture, curtains and other flammable material at least 1 meter away from the appliance. Never closed to curtains and other combustible material, otherwise may cause risk
- Do not leave the appliance unattended during use.
- Do not leave the appliance unattended whilst connected to the mains supply.
- This appliance is intended for household use and should not be used for industrial purposes.
- From time to time, check the cord for damage. Never use the appliance if the cord or any part of the appliance shows signs of damage.
- Do not operate this appliance with a damaged plug or cord, after a malfunction or after Being dropped or damaged in any way.
- Repairs to electrical appliances should only be performed by a qualified electrician. Improper repairs may place the user at serious risk.
- Do not run the mains cable under carpets, rugs etc.
- Do not allow the mains cable to hang over sharp edges or come into contact with hot surfaces.
- **WARNING:** In order to avoid overheating, do not cover or obstruct the heater in any way.
- Overheating will result if it is accidentally covered.
- Never immerse the product in water or any other liquids.
- Do not use the appliance outdoors.
- Do not use if you have wet hands.
- Never use the appliance on or near hot surfaces.
- Do not operate with a damaged cord.
- Before cleaning the appliance, ensure it is unplugged from the power and that it is completely cooled.
- Do not clean the appliance with abrasive chemicals.

-
- Never use accessories that are not recommended or supplied by the manufacturer. It could cause danger to the user or damage to the appliance.
 - Do not lift the appliance by the front panel.
 - **CAUTION:** In order to avoid a hazard due to inadvertent resetting of the thermal cutout, this appliance must not be supplied through an external switching device, such as a timer, or connected to a circuit that is regularly switched on and off by the utility.
 - **WARNING:** This heater is not equipped with a device to control the room temperature.
 - Do not use this heater in small rooms when they are occupied by persons not capable of leaving the room on their own, unless constant supervision is provided.
 - If the supply cord is damaged, it must be replaced by the manufacturer, its service agent or similarly qualified persons in order to avoid a hazard.
 - The heater must not be located immediately below a socket outlet.
 - Do not use this heater in the immediate surroundings of a bath, a shower or a swimming pool.

SAVE THESE INSTRUCTIONS

- **CAUTION — some parts of this product can become very hot and cause burns. Particular attention has to be given where children and vulnerable people are present.**



- **WARNING: To avoid overheating, do not cover the heater.**

Getting Started

- Remove the appliance from the box.
- Remove any packaging from the product.
- Place the packaging inside the box and either store or dispose of safely.

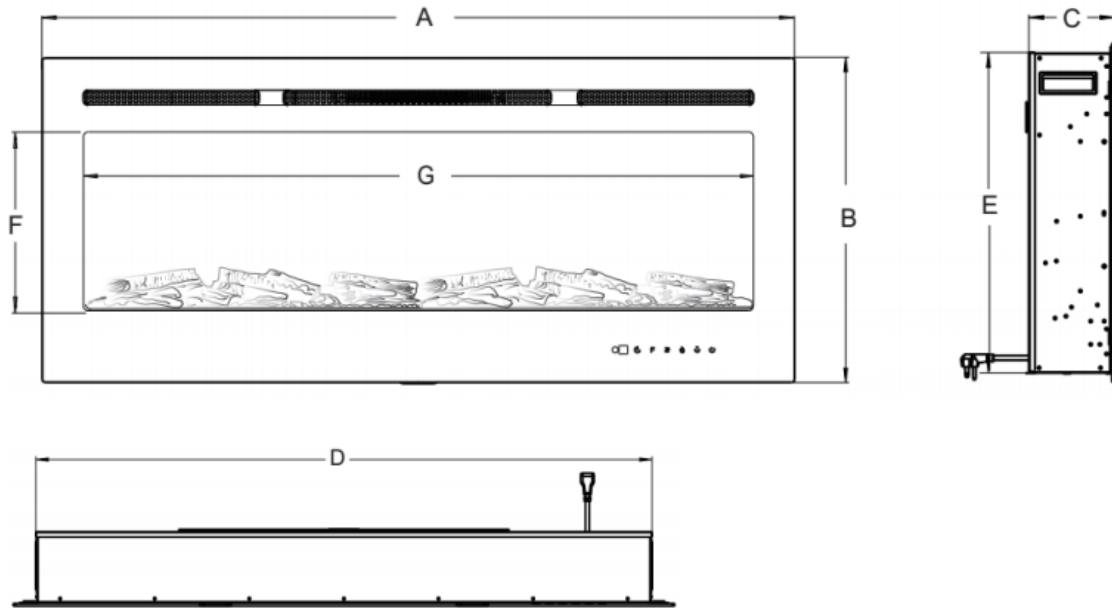
Contents of Carton

- Heater.
- Wall fixing bracket.
- Fixing screws and wall plugs.
- Remote control.
- 1 Instruction Manual.

Helpful Advice before Fitting

- Please retain all packaging until you have checked and counted all the parts and the contents of the fixing pack against the parts list.
- The fixing pack contains small items which should be kept away from young children.
- We suggest that you open the fixing pack and place all the contents into a container, therefore reducing the risk of losing any small pieces.

Specification and Dimension



I

A	B	C	D	E	F	G
36"	17.72"	6.06"	32.28"	16.7"	8.86"	29.72"
91.5cm	45.0cm	15.4cm	82.0cm	42.4cm	22.5cm	75.5cm
40"	17.72"	6.06"	36.22"	16.7"	8.86"	33.70"
101.3cm	45.0cm	15.4cm	92.0cm	42.4cm	22.5cm	85.6cm
50"	17.72"	6.06"	46.26"	16.7"	8.86"	37.70"
127.0cm	45.0cm	15.4cm	117.5cm	42.4cm	22.5cm	111.0cm
60"	17.72"	6.06"	56.3"	16.7"	8.86"	53.70"
152.4cm	45.0cm	15.4cm	143.0cm	42.4cm	22.5cm	136.4cm

(N)

Installation of fixing appliances

The appliance is a wall-mounted, insert appliance.

Select a suitable location that is not susceptible to moisture and is away from drapes, furniture and high traffic areas.

NOTE: Follow all National and local electrical codes.

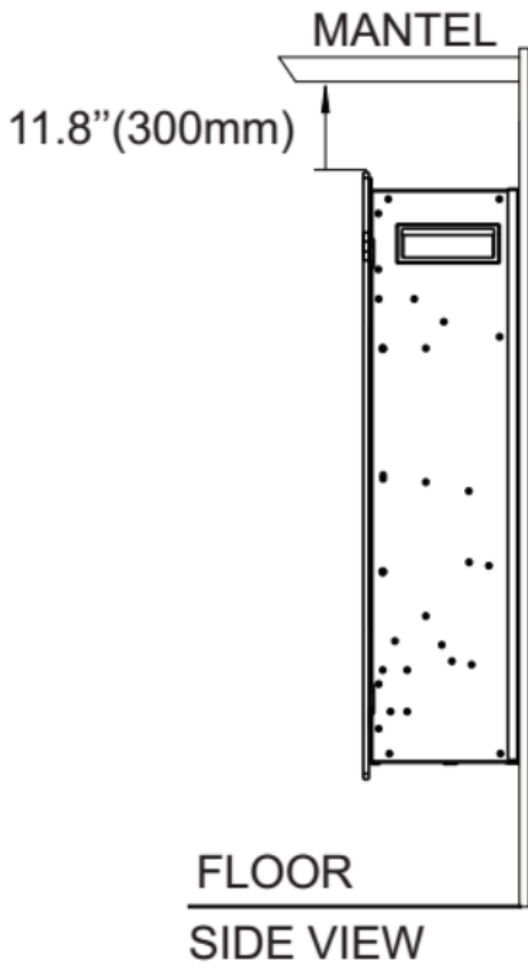
Minimum clearance to combustibles

Note: Measurements are taken from the glass front.

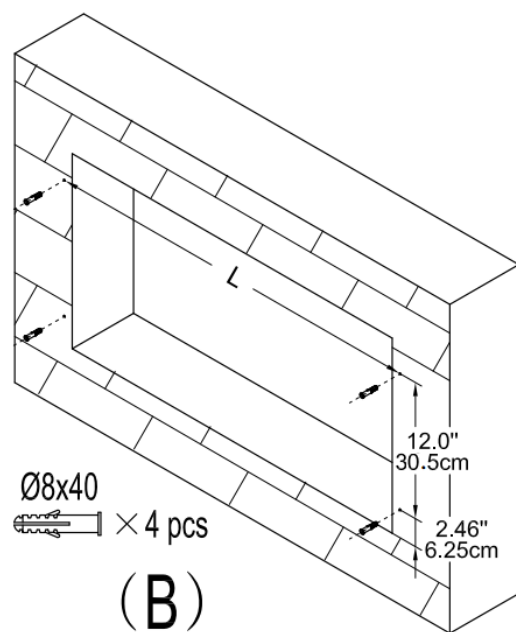
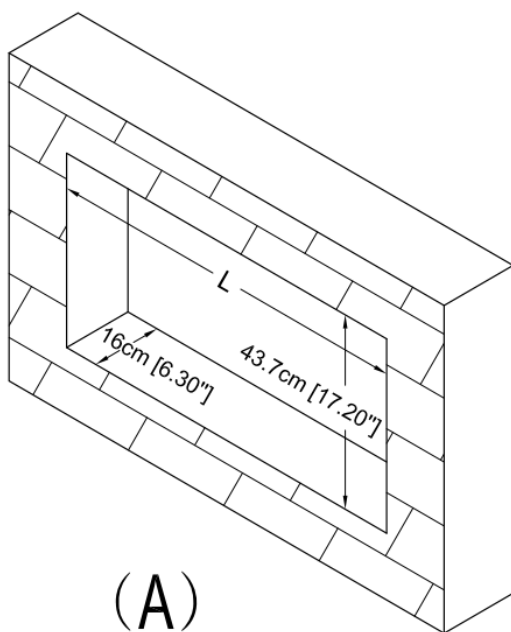
Bottom	0"	Top	8"(300mm) to mantel
Sides	0"	Top	8"(300mm) to ceiling
Back	0"		

Minimum clearance to mantel

WARNING: When using paint or lacquer to finish the mantel, the paint or lacquer must be heat resistant to prevent discoloration.



INSERT INSTALLATION



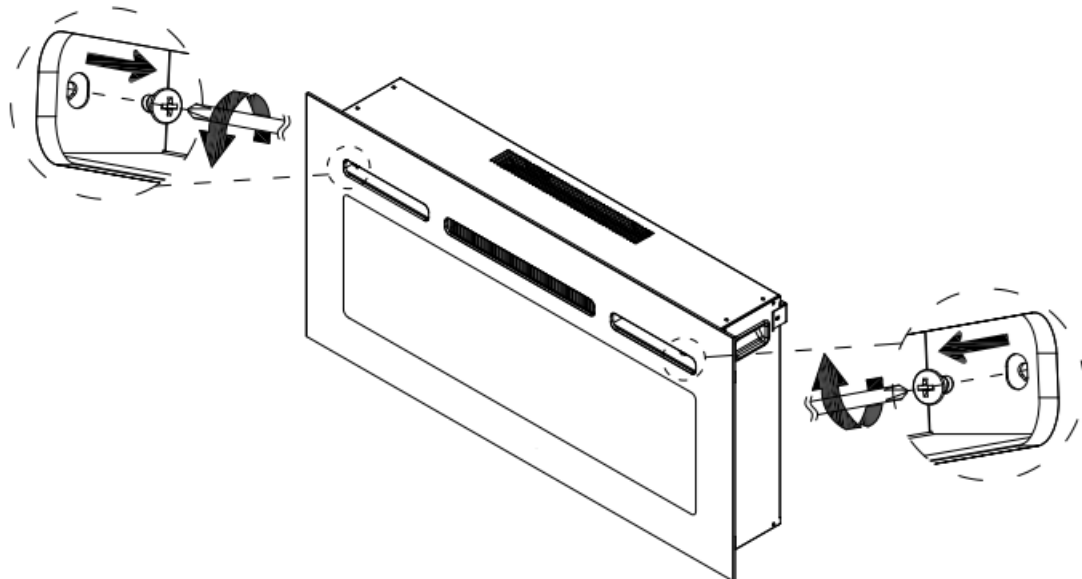
STEP A. Selection a dry wall to open a hole for fireplace box. Size of hole is as below chat. **Figure (A)**.

Framing Hole Size		
	(A)	(B)
	L	L
	32.87"	34.49"
	83.5cm	87.6cm
	36.81"	38.43"
	93.5cm	97.6cm
	46.85"	48.46"
	119.0cm	123.1cm
	56.89"	58.50"
	144.5cm	148.6cm

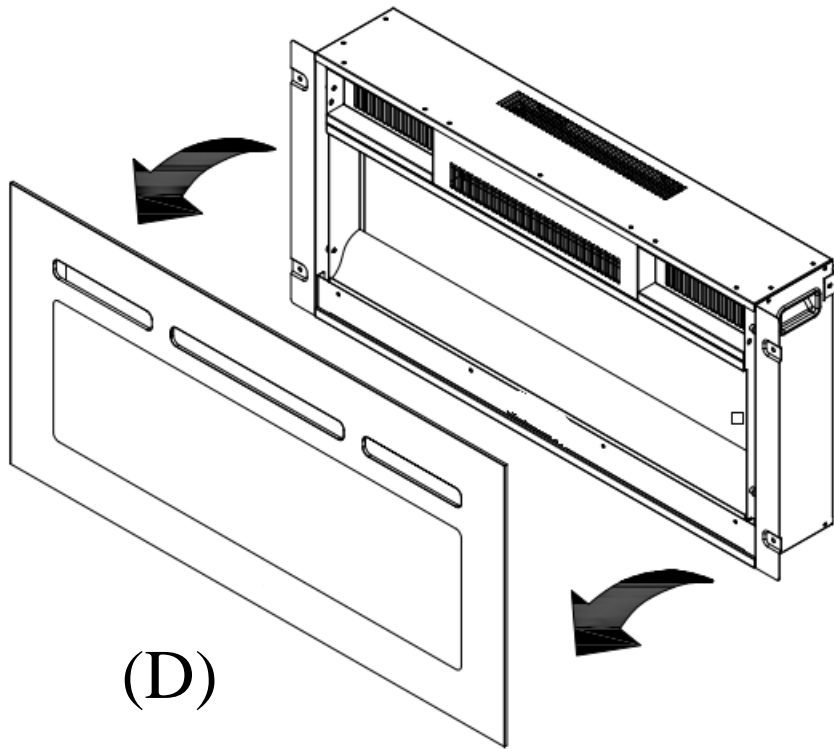
STEP B. Fix the four wall anchors in each side of the fireplace box according to the dimensions showed on the drawing. **Figure (B)**

STEP C. Take off the two screws in both sides of fireplace. **Figure (C)**

STEP D. Have two person to take the glass panel out of the fireplace box. Place it to a soft and clean place. **Figure (D)**



(C)



(D)

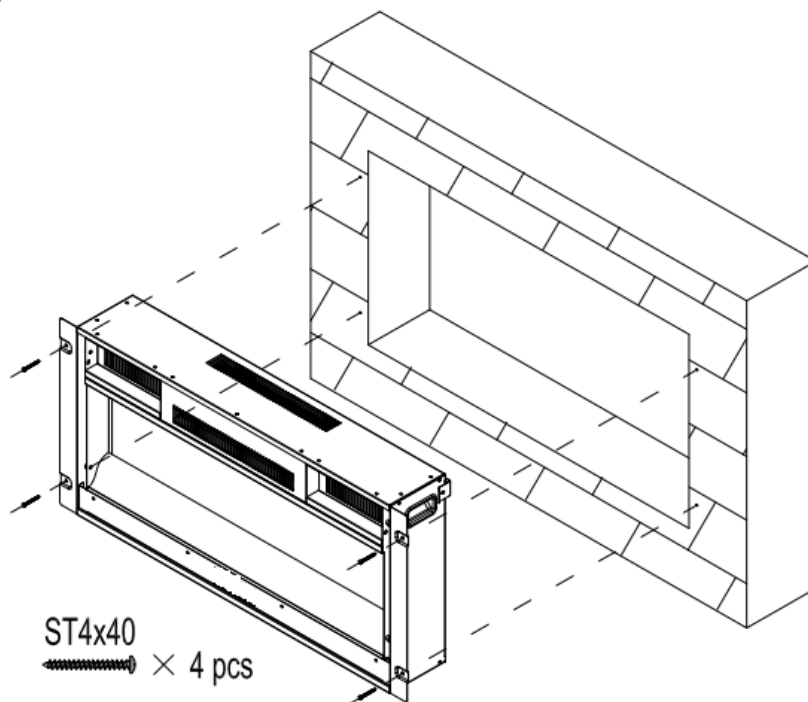
STEP E. Have two person to move the fireplace box to the wall hole.

If the appliance is fully recessed into the wall:

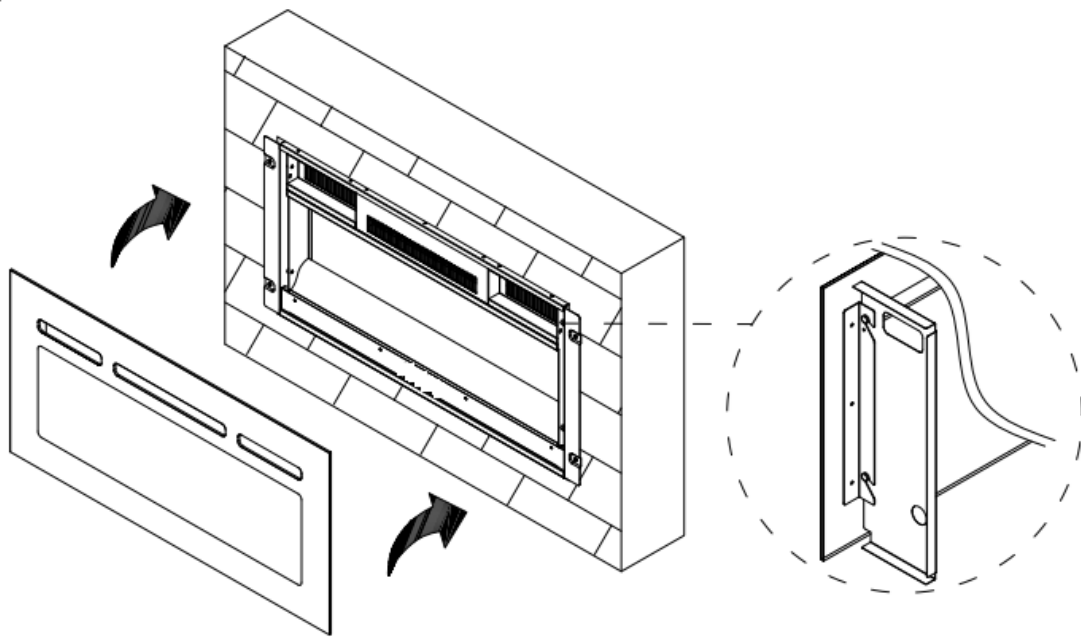
- 1) Use the 4 screws(provided) to lock the appliance into wall with the existing two side flanges, see **Figure(E)**
- 2) Install the media and re-install the glass front.

STEP F. Place the front panel lock the appliance. See **Figure (F)**

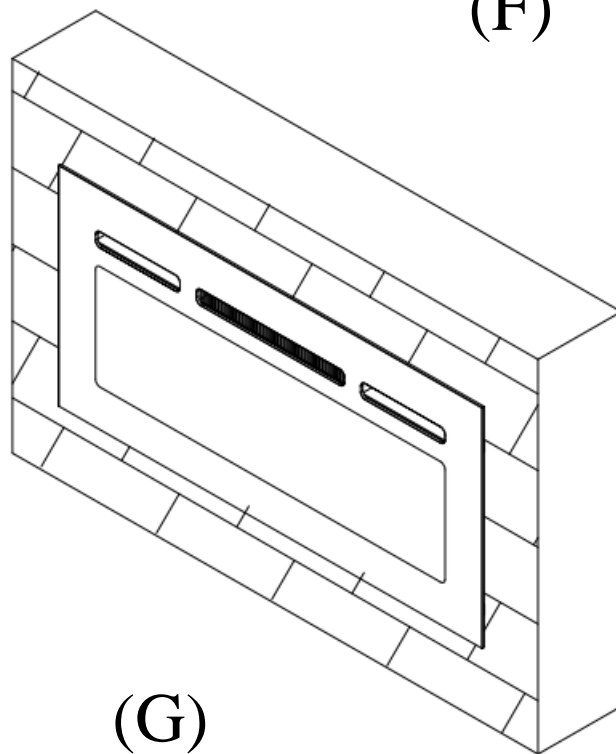
STEP G. Fireplace will be like this after installation **Figure (G)**



(E)



(F)



(G)

Wall Mounted Installation

Due to the many different materials used on different walls, it is highly recommended that you consult your local builder before you install this appliance on the wall.

A. Select a location that is not prone to moisture and is located at least 36”(914mm) away from combustible materials such as curtain drapes, furniture, bedding, paper, etc.

B. Have two people hold the appliance against the wall to determine the final location.

C. Place unit face down on a soft, nonabrasive surface. Remove the bracket from the back of the unit by removing the screws, refer to Figure 1.

D. Mark out location, then mount the bracket(s) onto the wall using the supplied screws. This bracket **MUST** have the hooks facing upward and be level.

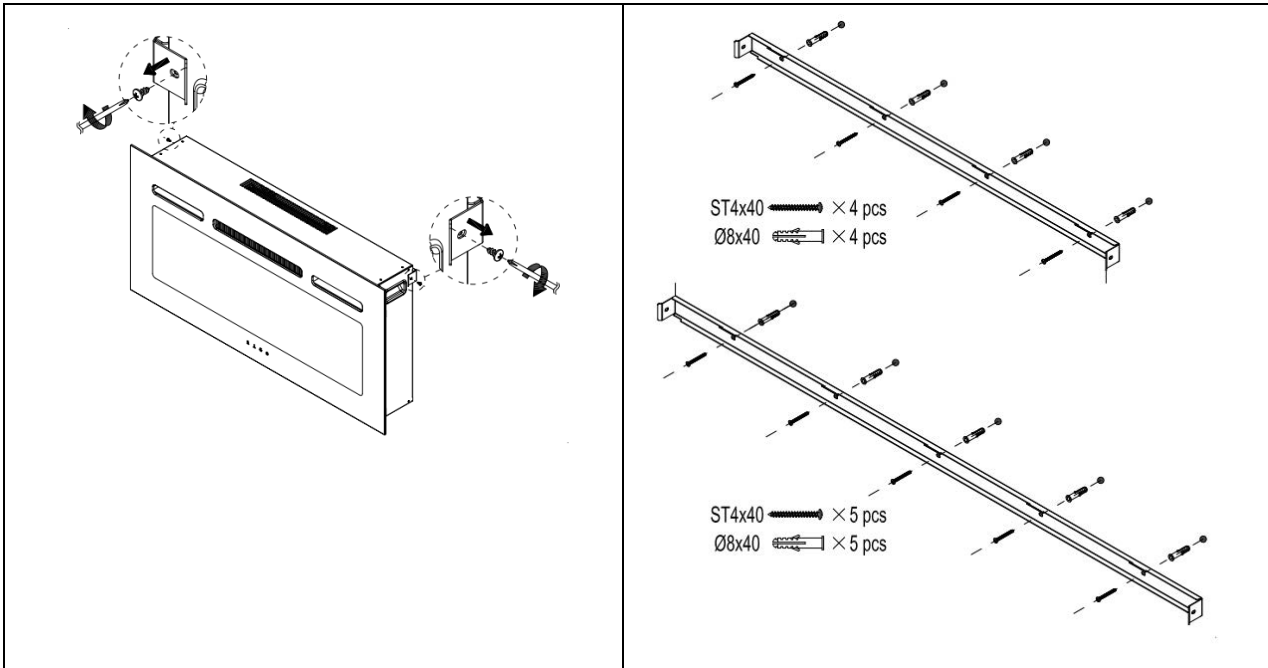
NOTE: It is strongly Recommended that the mounting bracket be screwed into the wall studs where possible. If the wall studs cannot be used, ensure that the supplied plastic anchors are used to affix the bracket to the wall and the bracket is adequately secured.

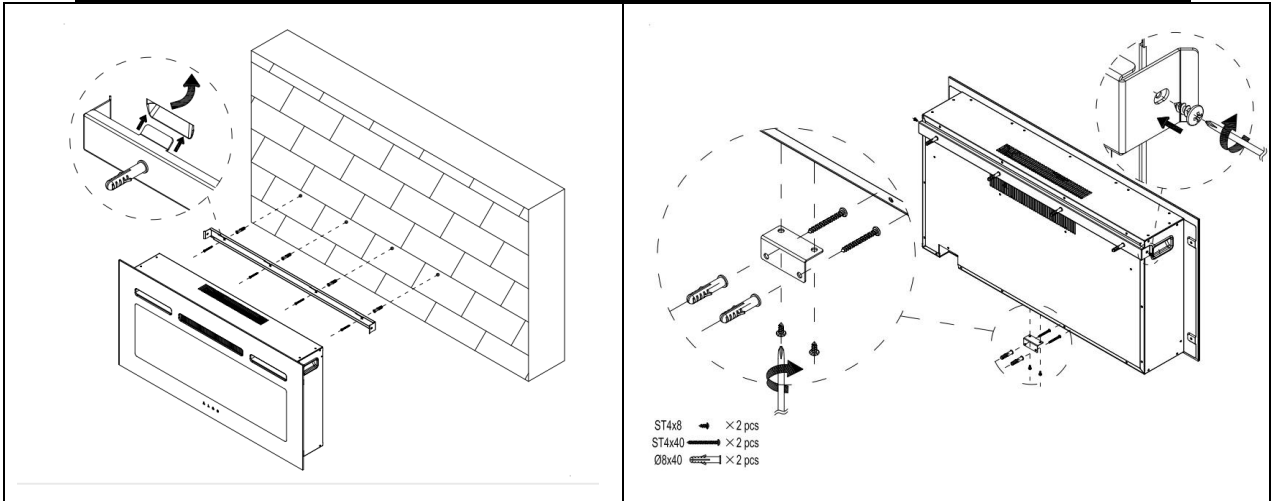
E. With the wall mounting bracket installed have two people lift the appliance up and insert the two hooks on the bracket into the two slots on the back of the appliance.

F. Mark the two bottom holes position, remove the heater ensuring that the bottom fixing bracket is rotated up. Drill and fit wall plug.

G. Refit the heater to the wall fixing bracket and rotate the bottom fixing bracket down again and use the screw provided to permanently fix the heater in place.

G. Lock the screws on the side of the fireplace to permanently fix the heater with the wall bracket.





Note: Please make the installation according to the embers which you bought or selected.

A. Glass front must be removed and the appliance must be mounted in its final location before the log/crystal/pebble are installed. **Figure 1, Figure 2.**

B. If your fireplace come with log, remove the log from the package, put it to the fireplace designed place. **Figure 3.**

C. If your fireplace come with CLEAN CRYSTAL MEDIA: crystal may have a fine oil residue that needs to be cleaned prior to installation. Clean them with mild dish soap, drain, rinse thoroughly and dry before placing into the tray.

D. Carefully place crystal embers or pebbles into the bottom tray on the front of the appliance as illustrated. Apply an even layer from side to side. **Figure 4.**

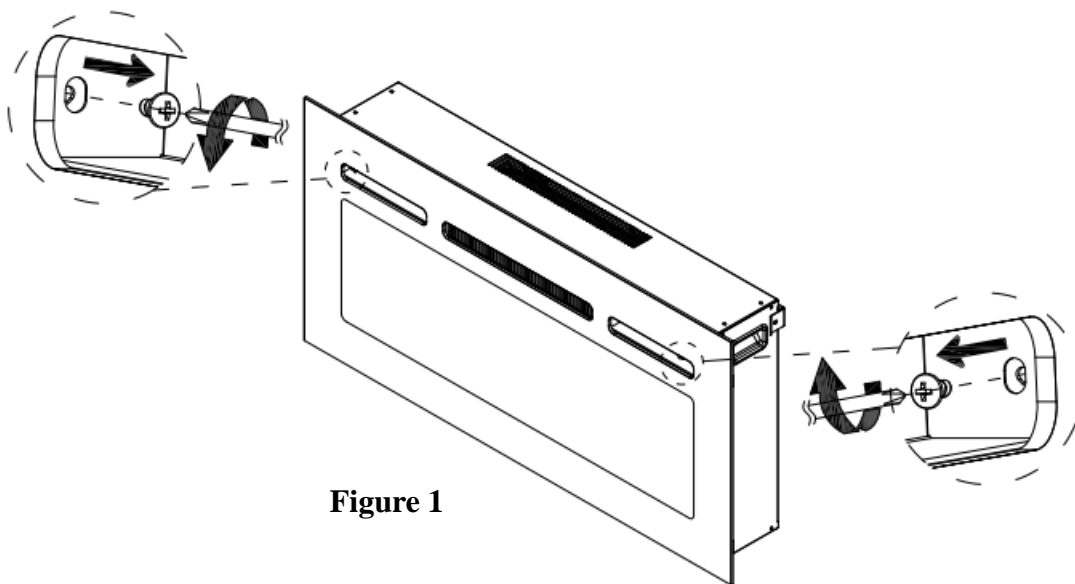
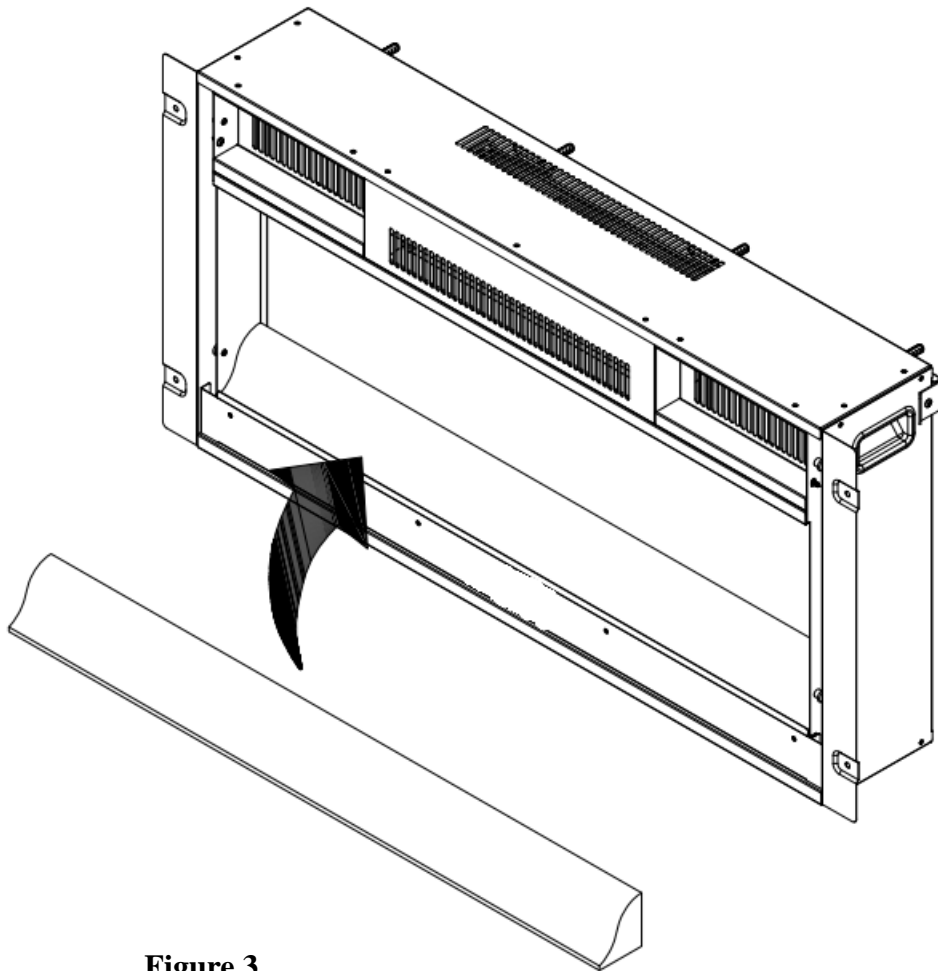
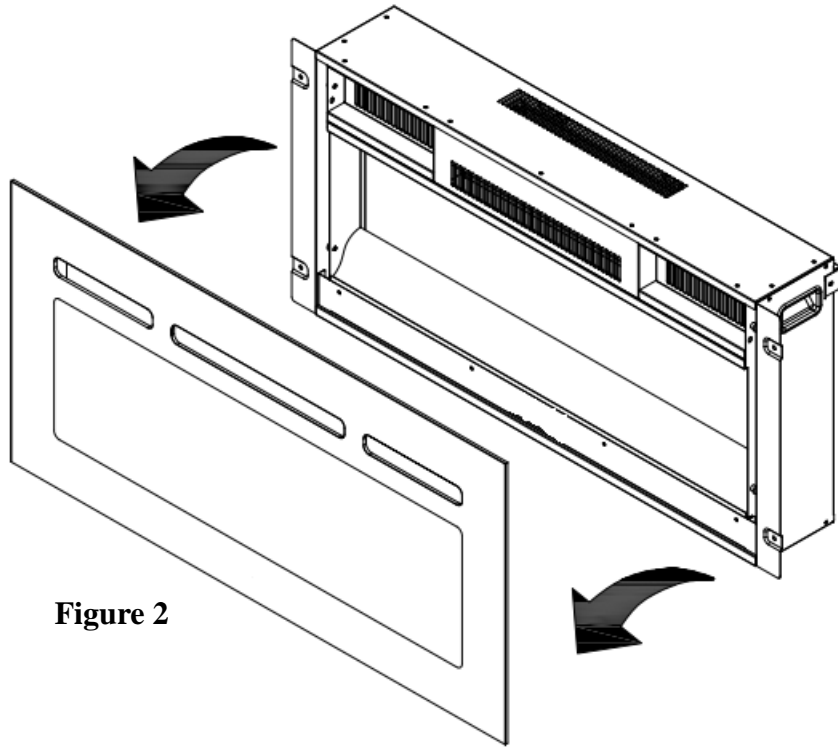


Figure 1



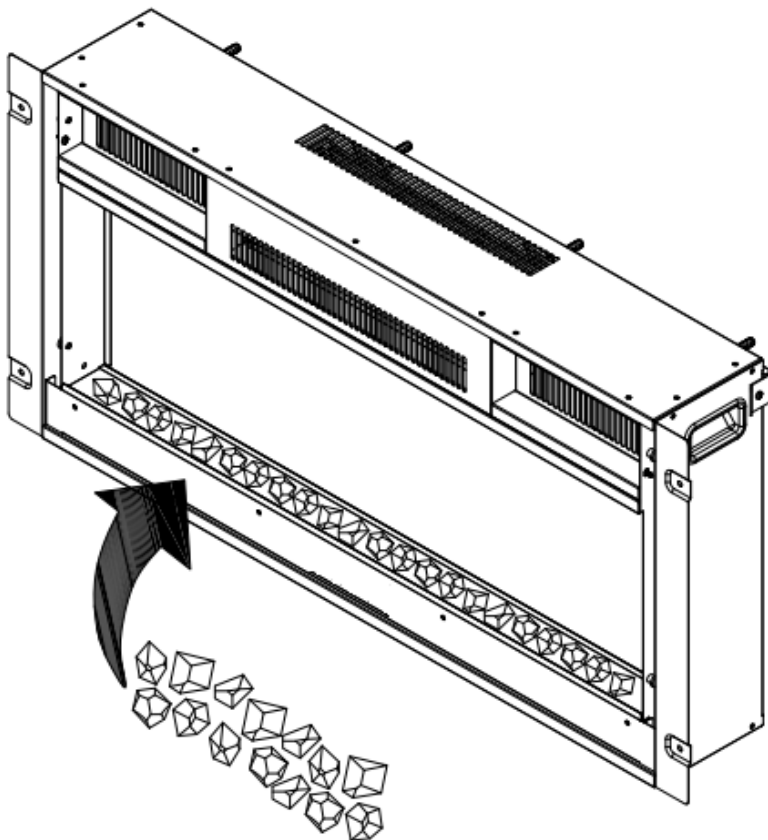


Figure 4

Instructions for Use

WARNING: Read and understand this entire owner's manual, including all safety information, before plugging in or using this product. Failure to do so could result in electric shock, fire, serious injury, or death.

Methods of Operation

This electric fireplace can be operated by the SWITCH, located on the side of the right cold air inlet, or by the battery-powered REMOTE CONTROL

Before operating, please review the IMPORTANT SAFETY INFORMATION on Pages 2 and 3, and heed all warnings.

Manual Operation

The switches located on the side of the right cold air inlet. The standby switch must be first switch on.

Press once the O/I button to turn on the appliance and fire effect. A red indicator light will appear to indicate that the function is ON.








Press the 750W button once for the low heat settings; press twice to switch off the heat setting.

Press the 1500W button once for the high heat settings; press twice to switch off the heat setting.

Remote Operation

The standby switch located of the right cold air inlet must be first switch on..

It takes some time for the receiver to respond to the transmitter. Do not PRESS the buttons more than once within two seconds for correct operation.

	<p>ON: Enables control panel functions. Turn on flame effect. OFF: Disables control panel functions. Turn off flame effect, and the fireplace will be in the standby status.</p>	<p>1. Press once. Indicator light turns on. Power turns on. All functions enabled. 2. Press again come into the standby status</p>
	<p>Timer button: Timer setting.</p>	<p>1. Press once. 1 hour timer setting. 2. Press again until desired timer is reached. Which is from 0h to 8h.</p>
	<p>COLOR button: Makes the color flame effect changing.</p>	<p>1. Press once. Flame color effect gets changing. 2. Press again until desired colour is reached.</p>
	<p>Temperature Setting button: Makes the setting temperature changing.</p>	<p>The default set temperature is 83F, press "+" or "-" on the remote controller to set the temperature, which ranges from 59F to 88F.</p>
	<p>Dimmer button: Makes the flame brightness changing.</p>	<p>1. Press once. Flame brightness gets changing. 2. Press again until desired brightness is reached.</p>
	<p>Low heating button: Control low heating power on/ off</p>	<p>Press the button once for the low heat settings; Press twice to switch off the heat setting.</p>
	<p>High heating button: Control high heating power on/ off</p>	<p>Press the button once for the high heat settings; Press twice to switch off the heat setting.</p>

Note: The Setting temperature must be higher than the room temperature for the heating function.

Troubleshooting

Symptom	Solution
No operation/ no fan.	Check if put the electric plug into the socket. Check for safety cut-off operation.
No fire effect light.	Check the LED system by qualified electrician

Bulbs replacement

- The appliances do not use standard bulbs for their flame effect. The appliances use an electronically controlled LED system to create the flame effect therefore no parts need to be replaced. There are no user-serviceable parts on this appliance. Under no circumstances should the appliance be serviced by any one other than a qualified electrician.

Maintenance

- **Warning:** Before any maintenance and/or cleaning the exterior of the fireplace, disconnect the unit from the power supply and leave until cooled off.
- Remote control battery replacement: this remote control uses 2x1.5V AAA battery. Make sure the batteries are installed correctly in the remote control.

Cleaning

- **Warning-**Always disconnect from the power supply before cleaning heater HR
- For general cleaning use a soft clean duster-never use abrasive cleaners. The glass viewing screen should be cleaned carefully with a soft cloth. DO NOT use proprietary glass cleaners

Technical Specification

- Voltage: 120V~60Hz
- Rated power: **1500W**



Meaning of crossed –out wheeled dustbin:

Do not dispose of electrical appliances as unsorted municipal waste, use separate collection facilities.

Contact you local government for information regarding the collection systems available.

If electrical appliances are disposed of in landfills or dumps, hazardous substances can leak into the groundwater and get into the food chain, damaging your health and well-being.

When replacing old appliances with new ones, the retailer is legally obligated to take back