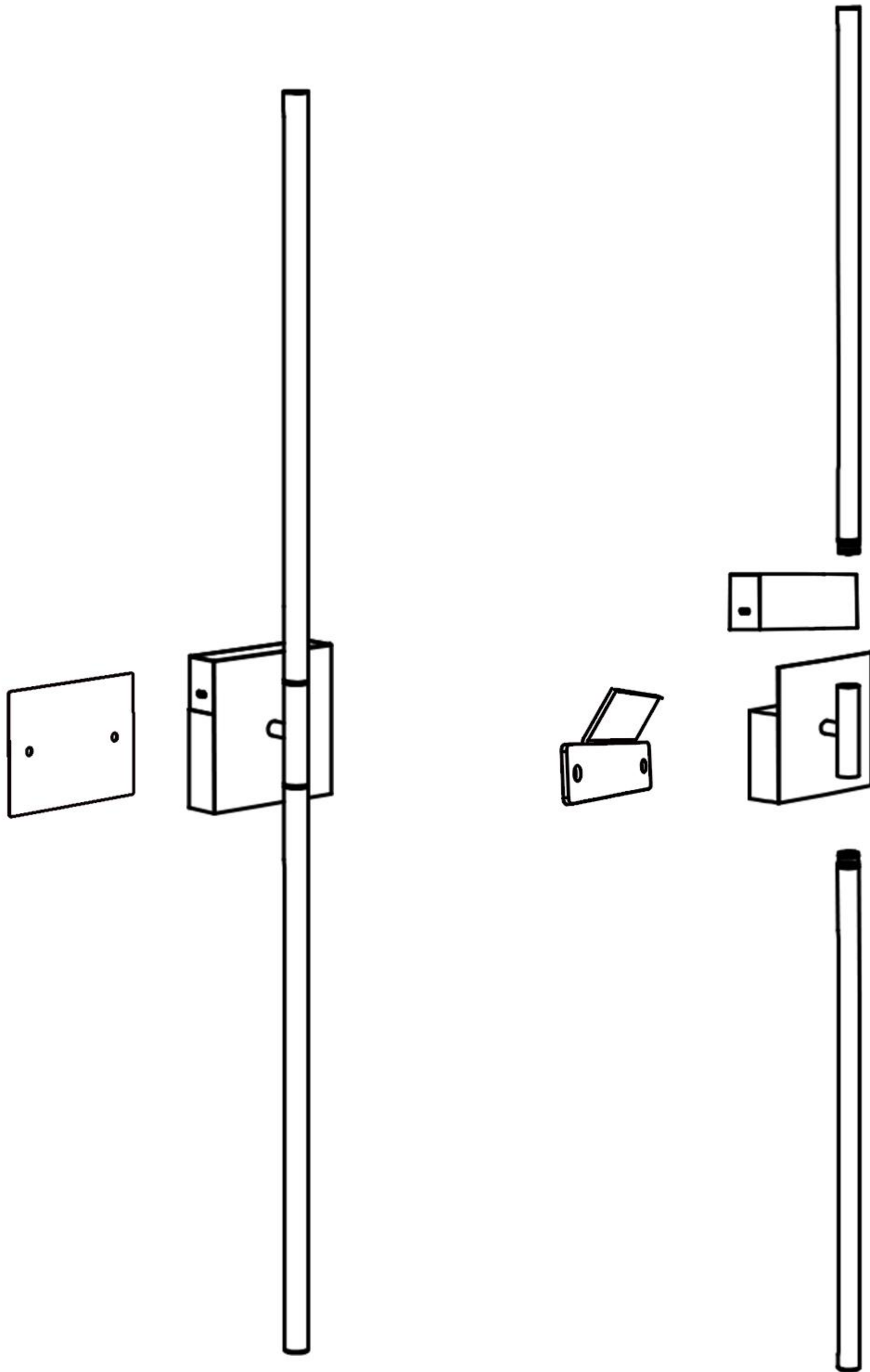

INSTRUCTION MANUAL

Wire-Free Magnetic Wall Light



Thank you for choosing our wall lamp!
Please be sure to read the manual carefully in order to ensure
full understanding of installation and use of this product.

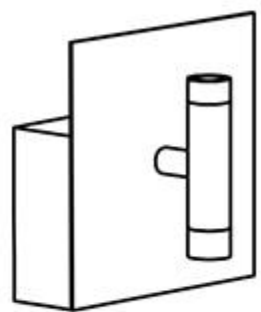
Product details

Every detail is thoughtfully crafted

Product material	Wrought iron + Acrylic
Light source	Dimmable with remote
Control method	RF Remote Control/ Touch control
Charging method	USB charging ; fully charged for continuous lighting for 10~30 hours

Accessories List

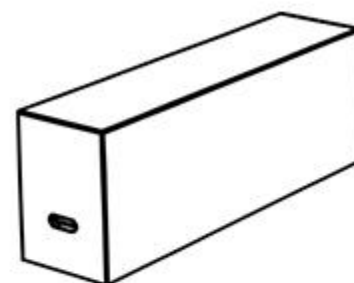
Carefully count and do not miss anything



Lamp Body
2pcs



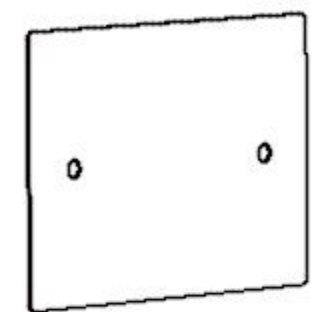
Lamp Pole
4pcs



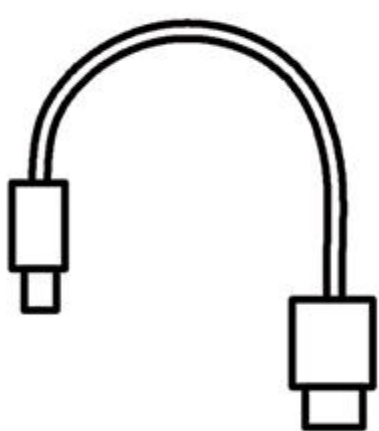
Charging Case
2pcs



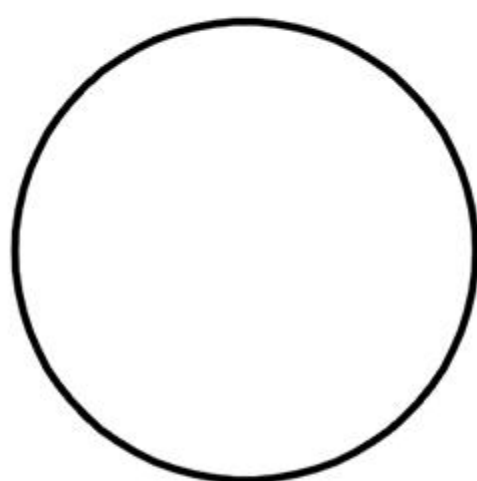
Mounting Plate
2pcs



Square iron plate
2pcs



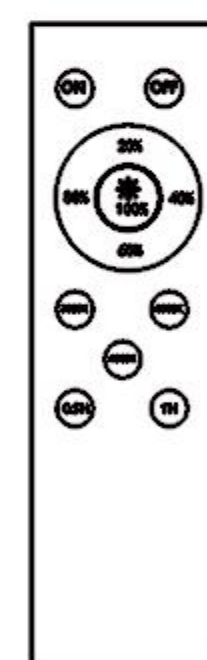
USB Cable
1pcs



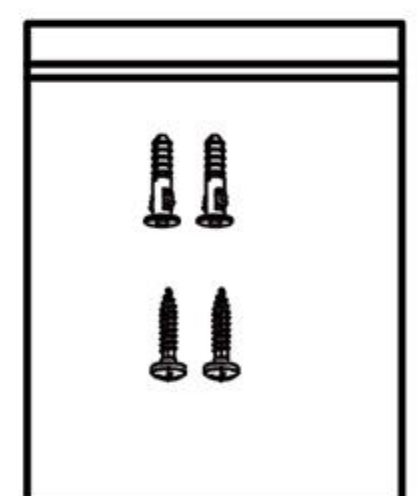
3M Tape
2pcs



Manual
1pcs



Remote Control
1pcs



Accessory Pack
2pcs

Tools Needed

Bring your own tools

You may need the tools below:

- 3mm Flat Blade Screwdriver
- 6mm masonry drill bit (for masonry only)
- Power Drill
- Pencil
- 3M High-Temperature Resistant Strong Adhesive

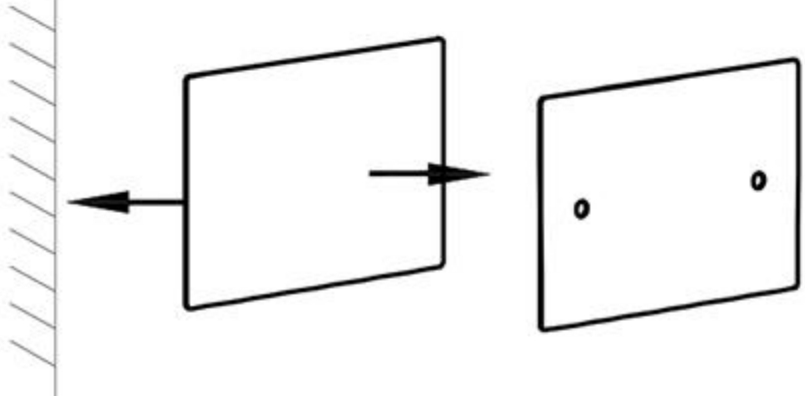
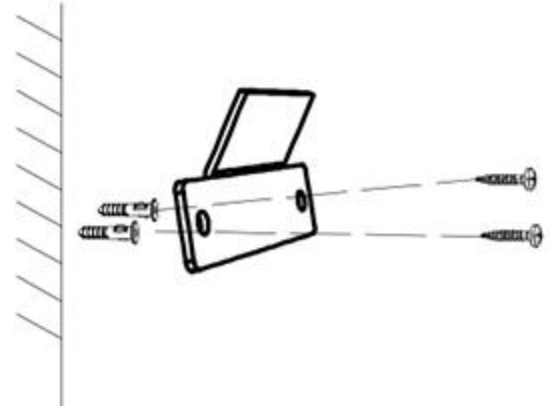


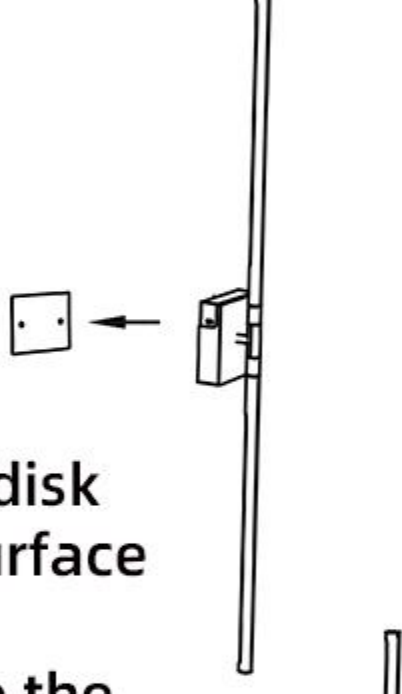

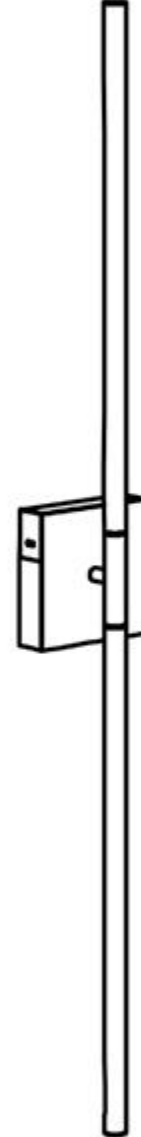
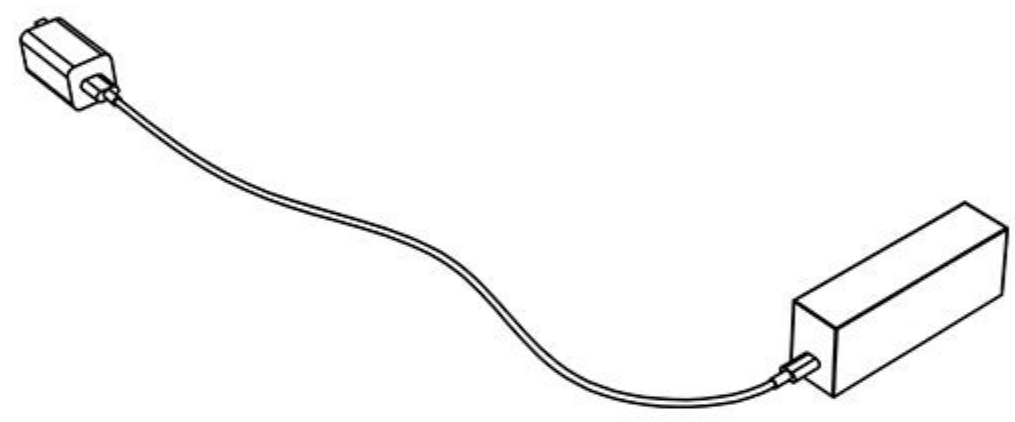
Before You Start:

1. Check the pack and make sure you have all of the parts listed.
2. Decide on the appropriate location for your product.

If you are in any doubt about installing this product, consult a qualified electrician.

Installation process

Please install according to the operating instructions

<p>A</p>  <p>A: Installation method: First adhere the 3M tape to the iron plate, then press the iron plate firmly onto the wall.</p> <p>B</p>  <p>B: Installation method: Secure the iron plate to the wall using wall plugs and self-tapping screws.</p> <p>01</p>	 <p>Insert the end of the iron tube with the magnetic tip into the pipe on the wall-mounted disk.</p> <p>02</p>	 <p>Align the power supply with the plastic socket on the panel and install it.</p> <p>03</p>
<p>A</p>  <p>A: Align the wall-mounted disk with the iron surface and secure it magnetically to the iron plate.</p> <p>B</p>  <p>B: Align the lamp body with the mounting bracket for hanging.</p> <p>04</p>	 <p>Installation complete.</p> <p>05</p>	 <p>When the battery is low, remove it for charging. Charging takes approximately 4.5 hours. The indicator light turns red during charging and green when fully charged. At 100% brightness, it can last 10 hours; at 20% brightness, it can last 30 hours.</p> <p>06</p>

Function introduction

Easily understand this product at a glance.



No wiring required

No need for complex wiring and installation.



Dimmable with remote

Brightness and color temperature can be freely adjusted.

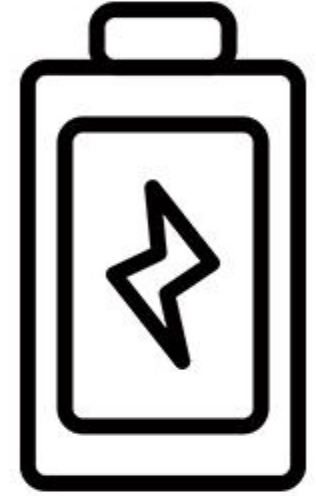


RF Remote Control

Smooth and simple operation with one-touch adjustment for different scene modes.

360° Rotation

The lamp pole has 350° rotation.



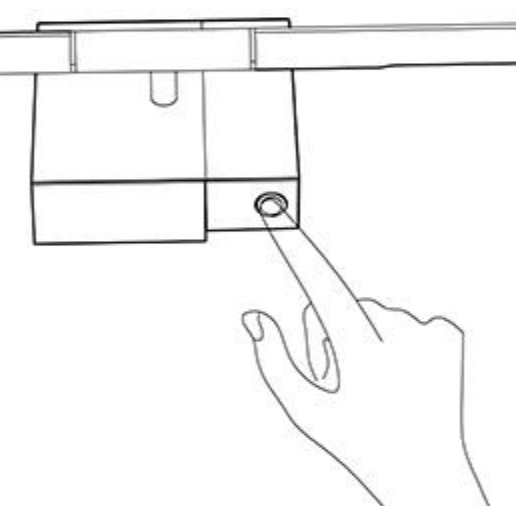
Ultra-long battery life

5000mAh large battery, provides 10~30 hours of continuous use on a full charge.



Magnetic charging dock

Easy installation
Ready-to-use
Strong magnetic fixation

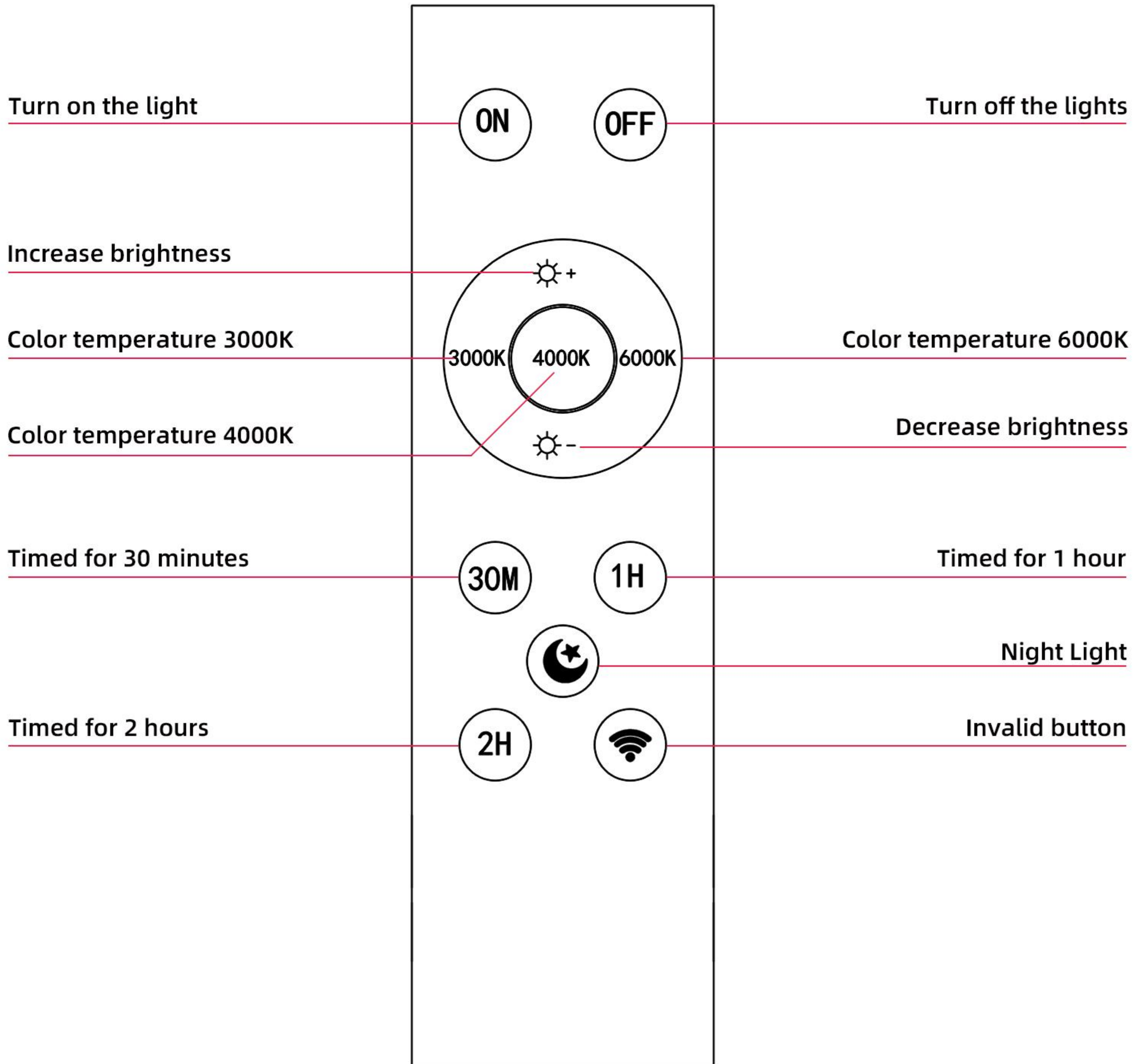


Touch control switch

Short press the power button to adjust the color temperature; long press to adjust the brightness.

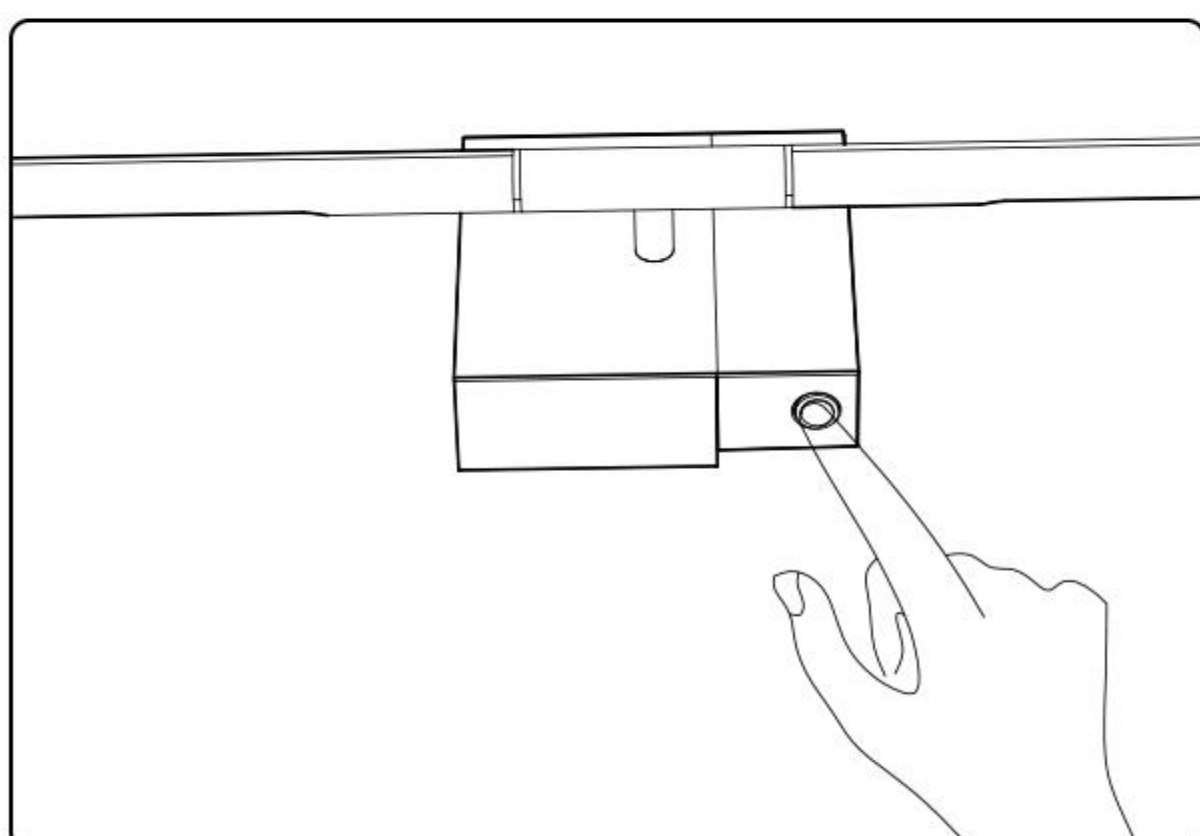
Remote Control

One click experience for remote control



Touch control

Touch to achieve light control



• **The color temperature** can be switched by remotecontrolor short press of touch switch

• **Brightness** can be switched by remote control orlong pressing the touch switch

FCC Warning Statement

Changes or modifications not expressly approved by the party responsible for compliance could void the user's authority to operate the equipment.

This equipment has been tested and found to comply with the limits for a Class B digital device, pursuant to Part 15 of the FCC Rules. These limits are designed to provide reasonable protection against harmful interference in a residential installation. This equipment generates uses and can radiate radio frequency energy and, if not installed and used in accordance with the instructions, may cause harmful interference to radio communications. However, there is no guarantee that interference will not occur in a particular installation. If this equipment does cause harmful interference to radio or television reception, which can be determined by turning the equipment off and on, the user is encouraged to try to correct the interference by one or more of the following measures:

- Reorient or relocate the receiving antenna.
- Increase the separation between the equipment and receiver.
- Connect the equipment into an outlet on a circuit different from that to which the receiver is connected.
- Consult the dealer or an experienced radio/TV technician for help.

This device complies with part 15 of the FCC Rules. Operation is subject to the following two conditions:

- (1) This device may not cause harmful interference
- (2) this device must accept any interference received, including interference that may cause undesired operation.

The device has been evaluated to meet general RF exposure requirement. The device can be used in portable exposure condition without restriction.



Warning: Power must be turned off before installation. Keep this product out of reach of children. Do not disassemble or repair without authorization.

This product is classified as electrical and electronic equipment and must not be disposed of with household waste. Please take it to an authorized collection point for used equipment in accordance with local regulations. Proper disposal helps protect the environment and prevents health hazards.