

ASSEMBLY TIPS:

1. Remove hardware from box and sort by size.
2. Please check to see that all hardware and parts are present prior to start of assembly.
3. Please follow attached instructions in the same sequence as numbered to assure fast & easy assembly.

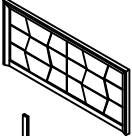





Warning !


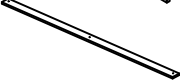

1. Don't attempt to repair or modify parts that are broken or defective. Please contact the store immediately.
2. This product is for home use only and not intended for commercial establishment.

PARTS IDENTIFICATION

BOX 1

A		HEADBOARD	1 PC
B		LEFT HEADBOARD LEG	1 PC
C		RIGHT HEADBOARD LEG	1 PC
D		HEADBOARD BOTTOM RAIL	1 PC


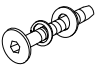

BOX 2

E		FOOTBOARD	1 PC
F		BED SLAT	4 PCS
G		BED SLAT SUPPORT WITH LEVELER	4 PCS

BOX 3

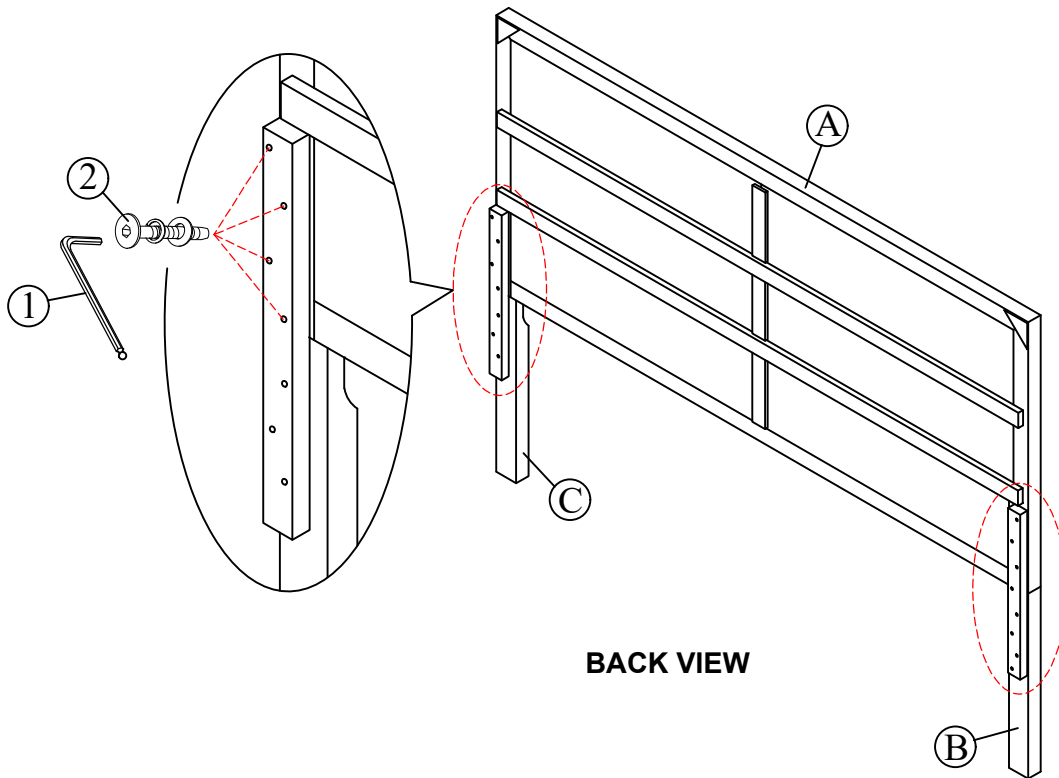
H		BED RAIL	2 PCS
----------	---	----------	-------

HARDWARE IDENTIFICATION

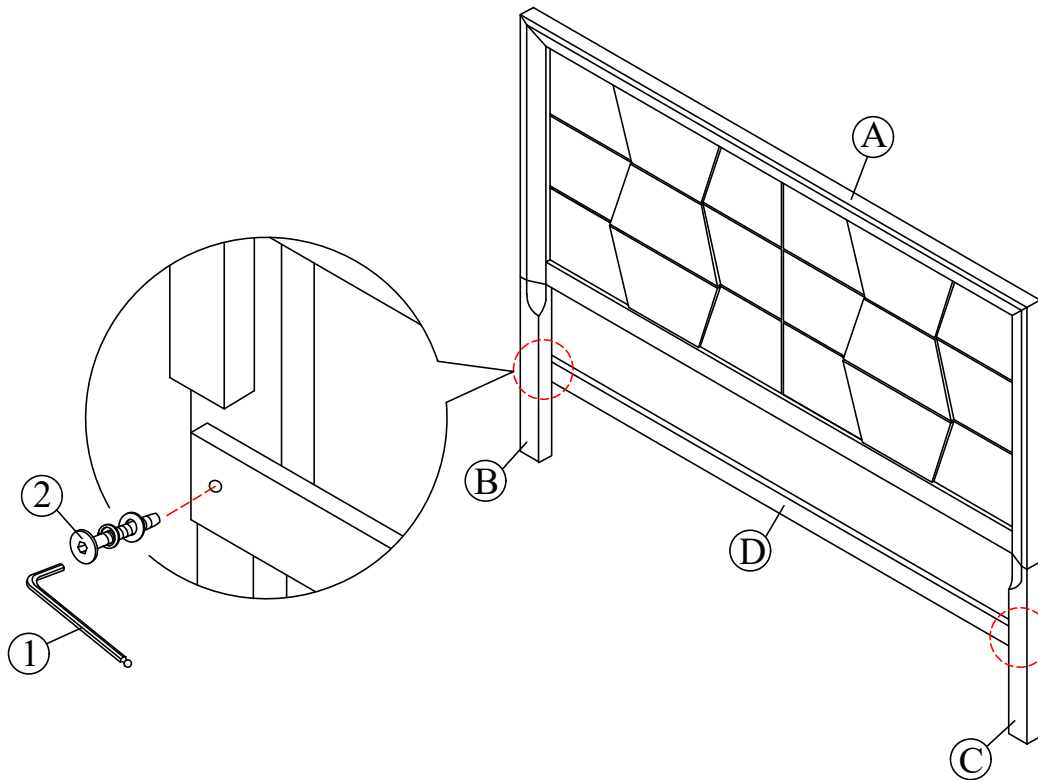
1		ALLEN WRENCH (M4 x 110mm)	1 PC
2		BOLT WITH WASHER (M6 x 50mm)	10 PCS
3		FLAT HEAD SCREW (#8 x 28mm)	8 PCS

NOTE :ALL HARDWARE WAS PACKED IN A BAG AND PUT IN HEADBOARD BOX (BOX 1)

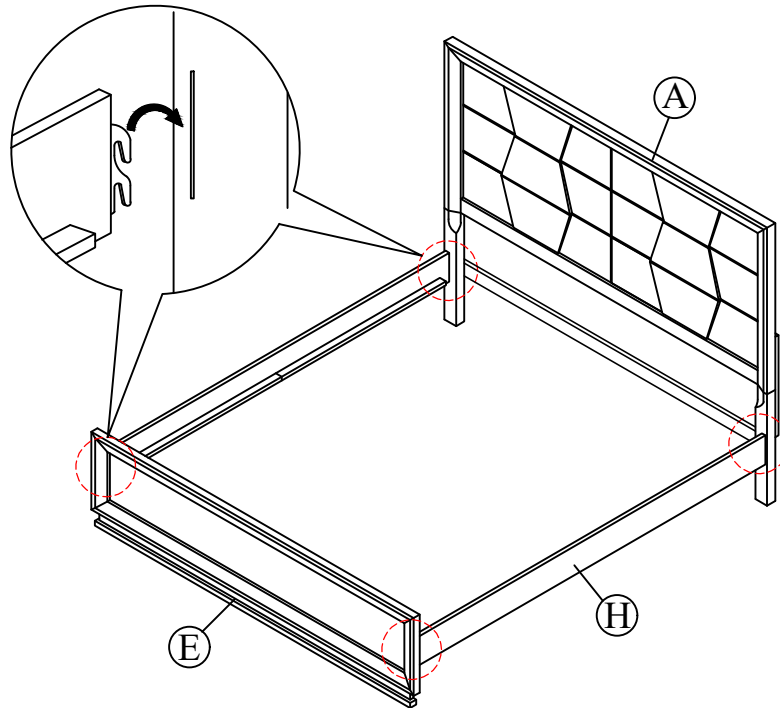
STEP 1



STEP 2



STEP 3



STEP 4

