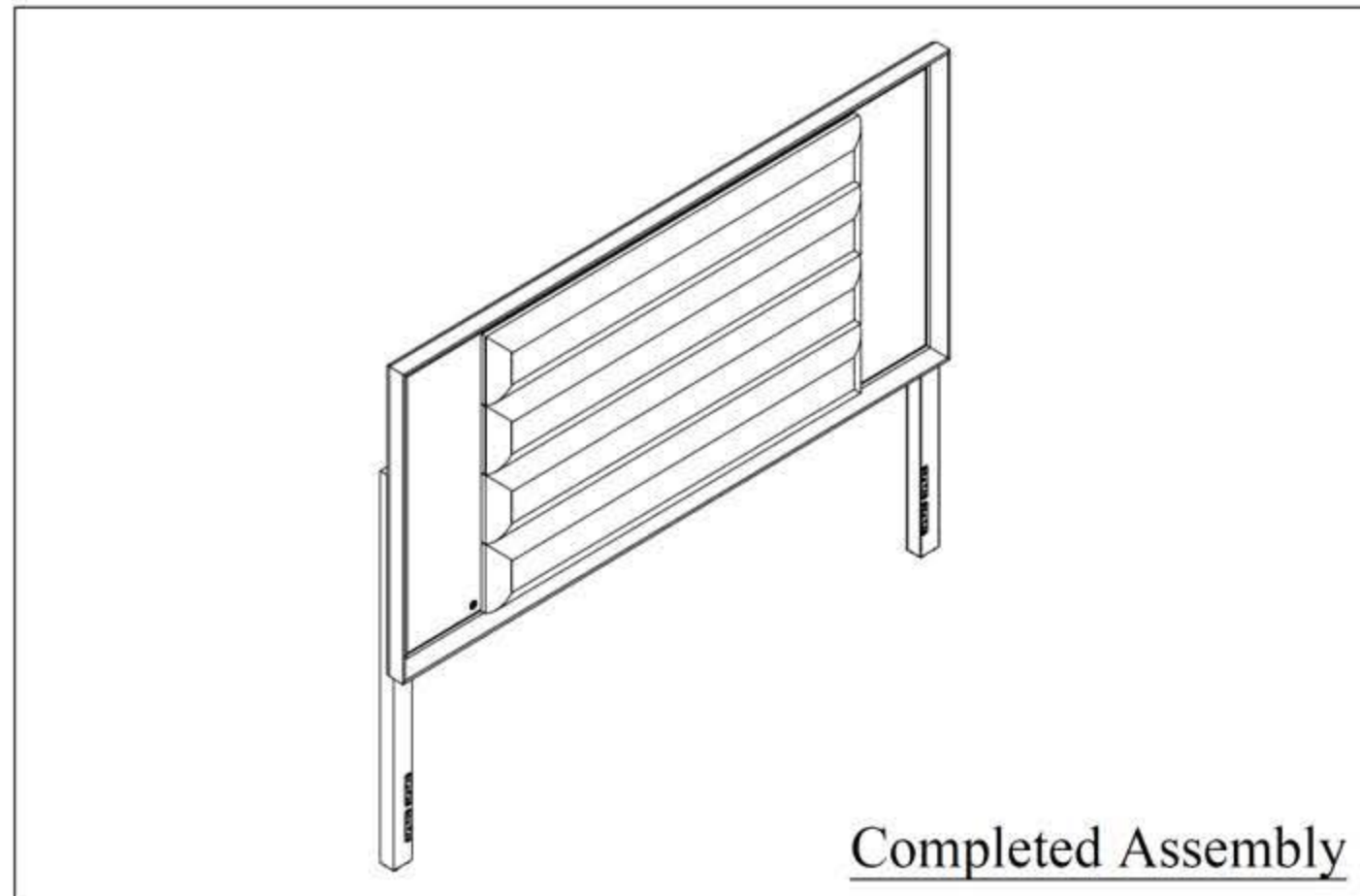


Assembly Instruction


Thank you for purchasing this quality product.
Please check all packing material carefully which
may have come loose inside the carton during shipment.



PART LIST

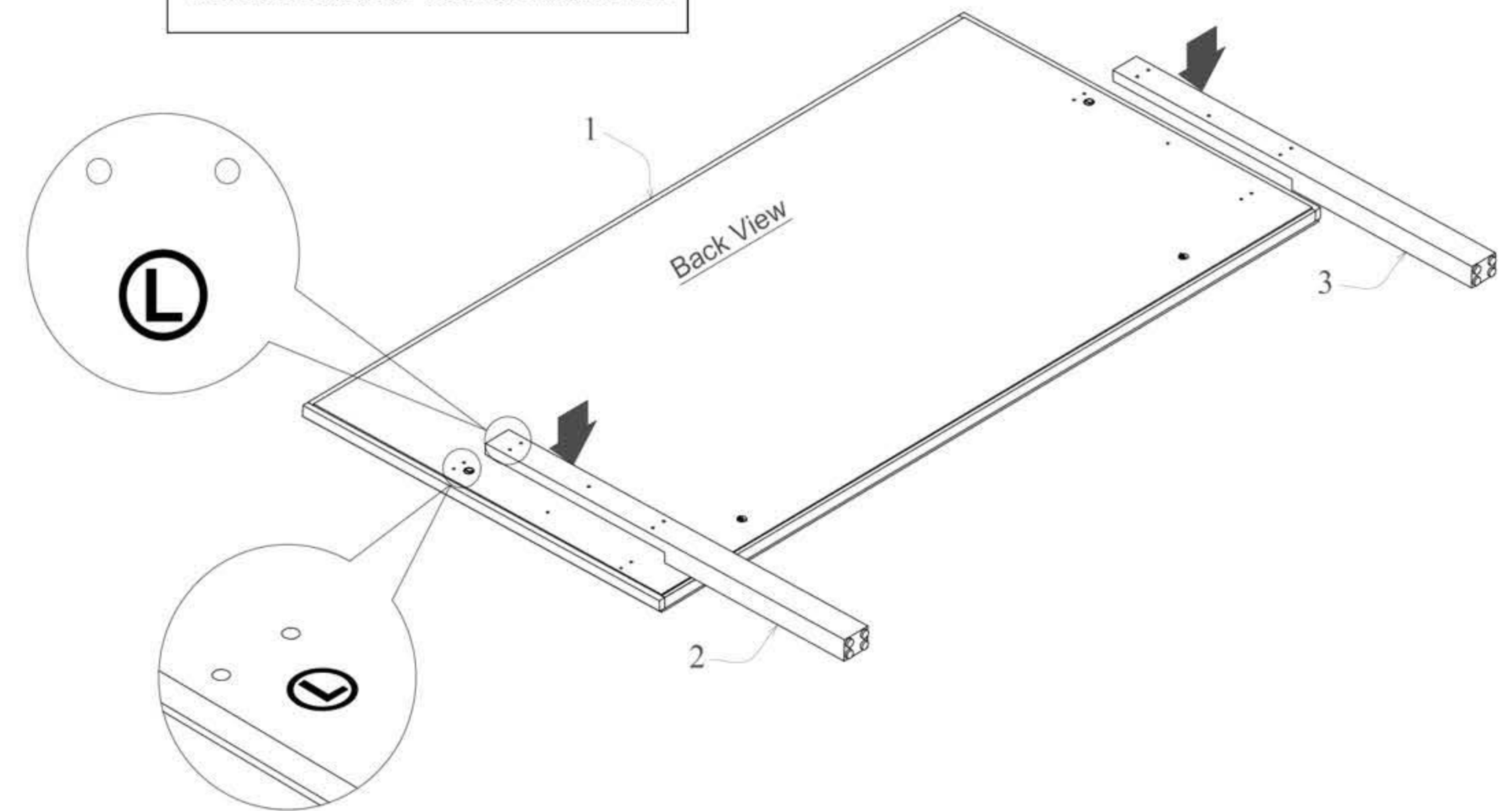
| No | Description | Qty |
|----|-----------------------------|-----|
| 1 | Headboard | 1pc |
| 2 | Headboard Left Support (L) | 1pc |
| 3 | Headboard Right Support (R) | 1pc |

HARDWARE LIST

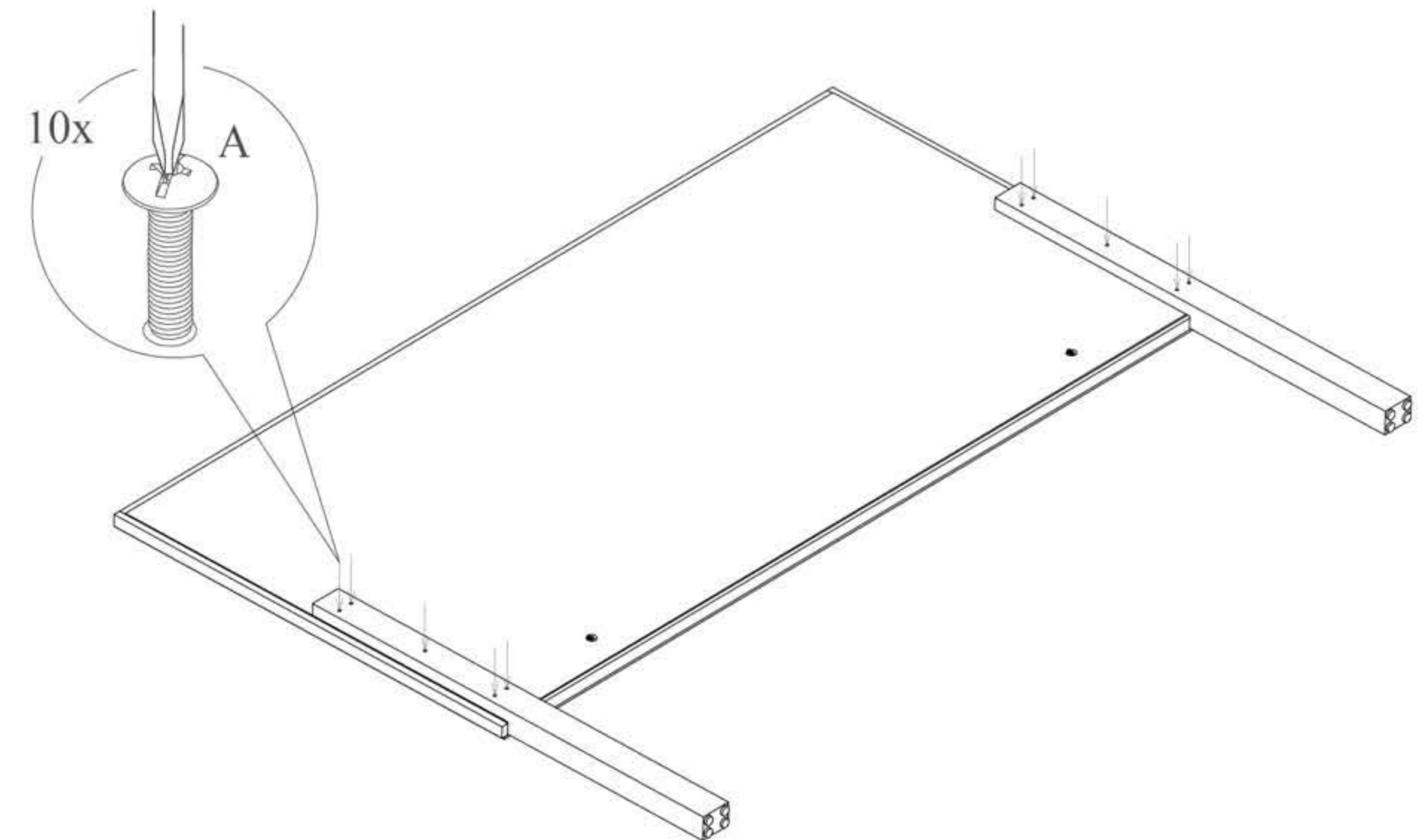
| No | Description | Qty |
|----|--|-------|
| A | JCBC Screw M6 x 35mm  | 10pcs |

Step : 1

Refer label on headboard supporter
to match label on back of headboard.

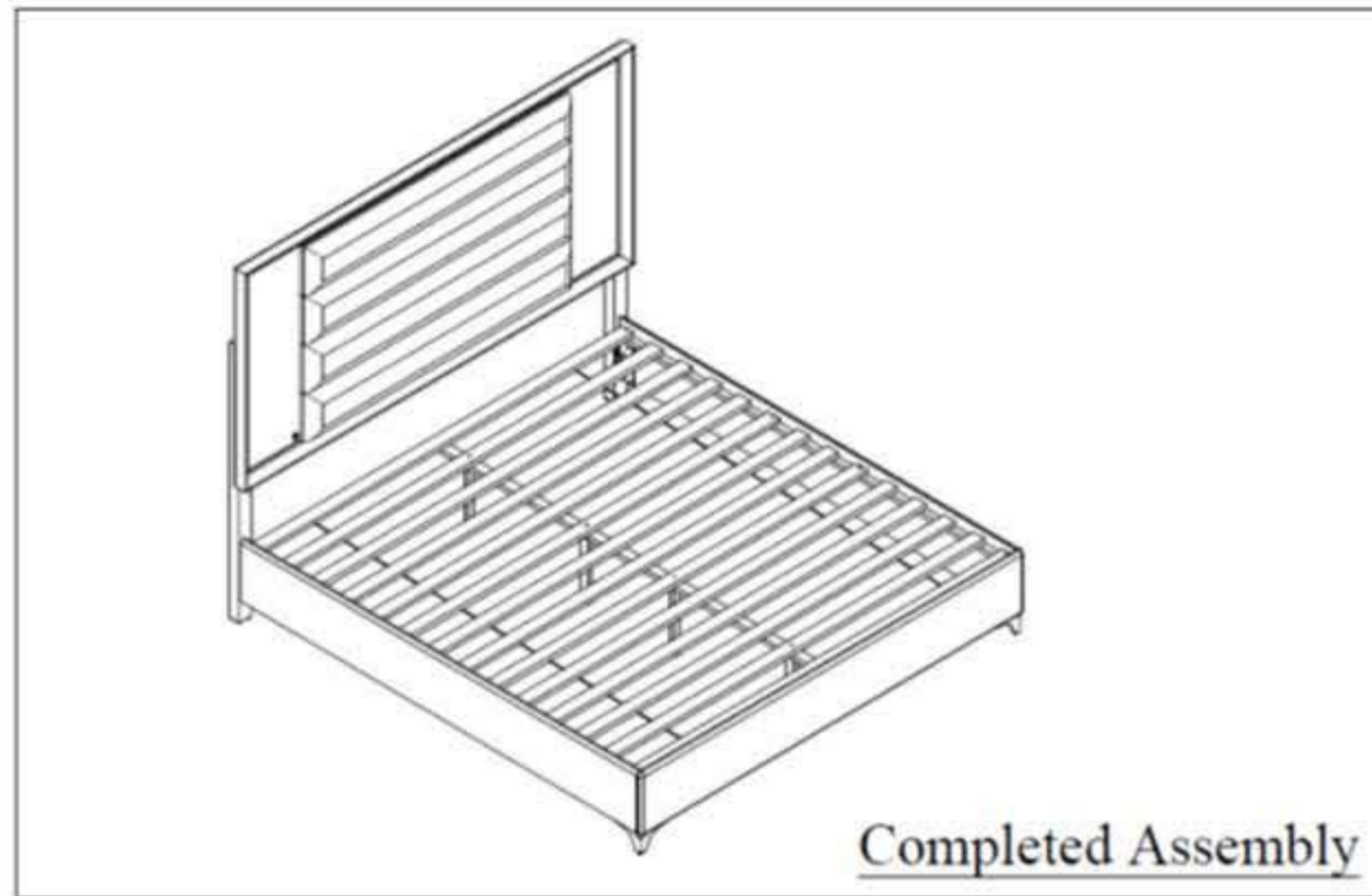


Step : 2



Assembly Instruction



Thank you for purchasing this quality product.
Please check all packing material carefully which may have come loose inside the carton during shipment.



PART LIST

| No | Description | Qty |
|----|-----------------------|------|
| 1 | Headboard | 1pc |
| 2 | Footboard | 1pc |
| 3 | Side Rail (R) | 1pc |
| 4 | Side Rail (L) | 1pc |
| 5 | Center Rail | 1pc |
| 6 | Center Rail Supporter | 4pcs |
| 7 | Bed Leg | 2pcs |
| 8 | Bed Leg Supporter | 2pcs |
| 9 | Slat | 1set |

HARDWARE LIST

| No | Description | Qty |
|----|--|------|
| A | TRUSS HD C/B M4 x 25mm  | 8pcs |
| B | CSK Screw M4 x 30mm  | 8pcs |

