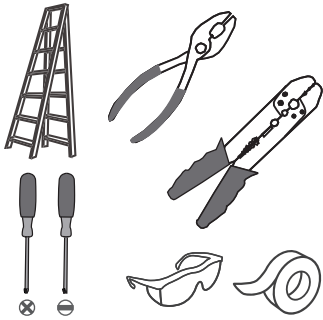
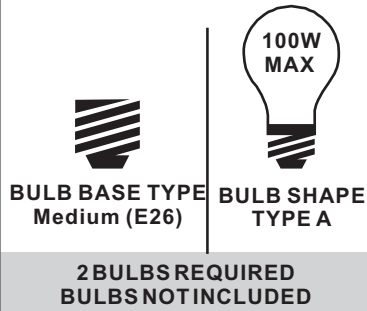


Installation Guide

Tools Required



Light Source



Warnings and Cautions

Turn off the electricity at the circuit breaker before installation. Consult a licensed electrician if in doubt about installation.

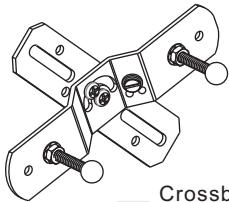
Turn off power to the fixture and allow the bulbs to cool before replacing.

Package Contents

Preparation: Identify and inspect all parts before beginning the installation.

Missing or damaged parts? Contact your original place of purchase.

PARTS BAG



A Crossbar Assembly x 1



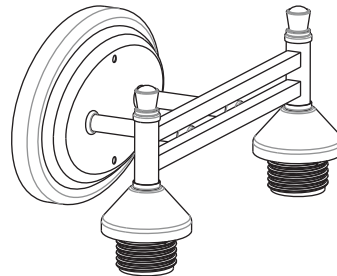
B Alternate Mounting Screw x 2



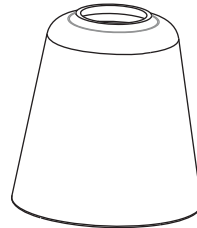
C Outlet Box Screw x 2



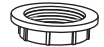
D Wire Connector x 3



E Fixture Body x 1


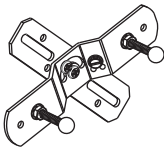
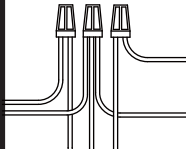
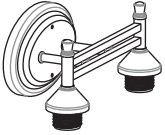
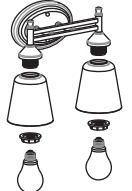


F Shade x 2



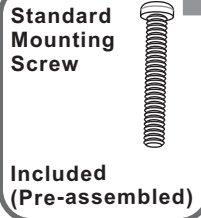
G Socket Collar x 2

Table of Contents

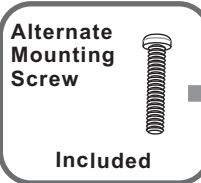
Alternate Mounting Screw	Crossbar Assembly	Wiring	Fixture Body	Shade & Bulb
				
STEP 1	STEP 2	STEP 3	STEP 4	STEP 5

STEP 1

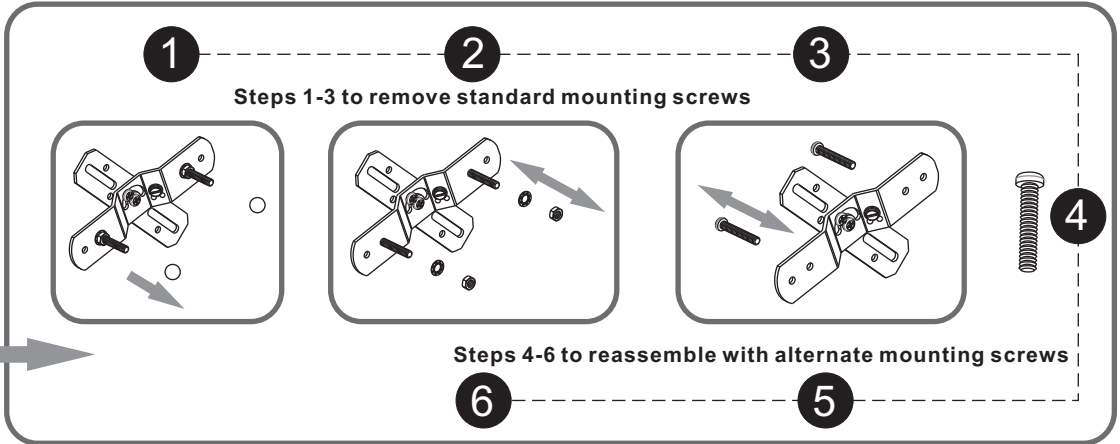
OPTION 1



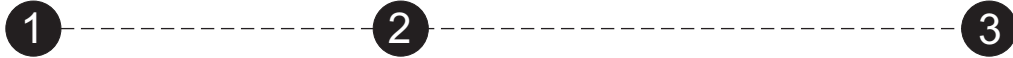
OPTION 2



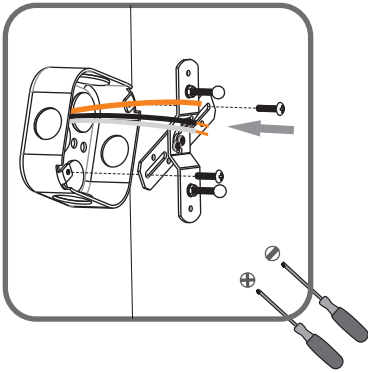
skip to next page



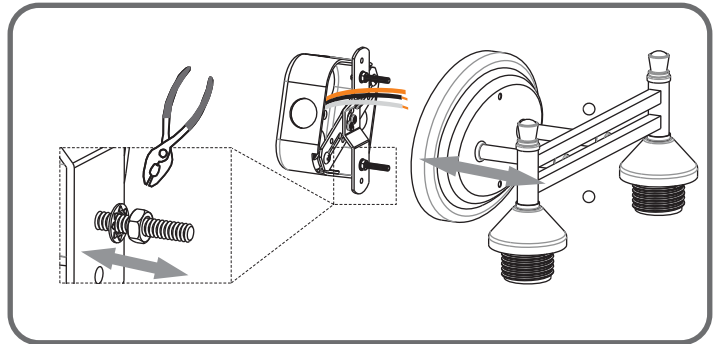
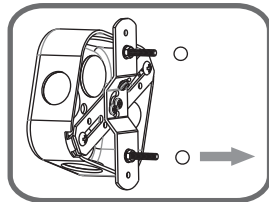
STEP 2



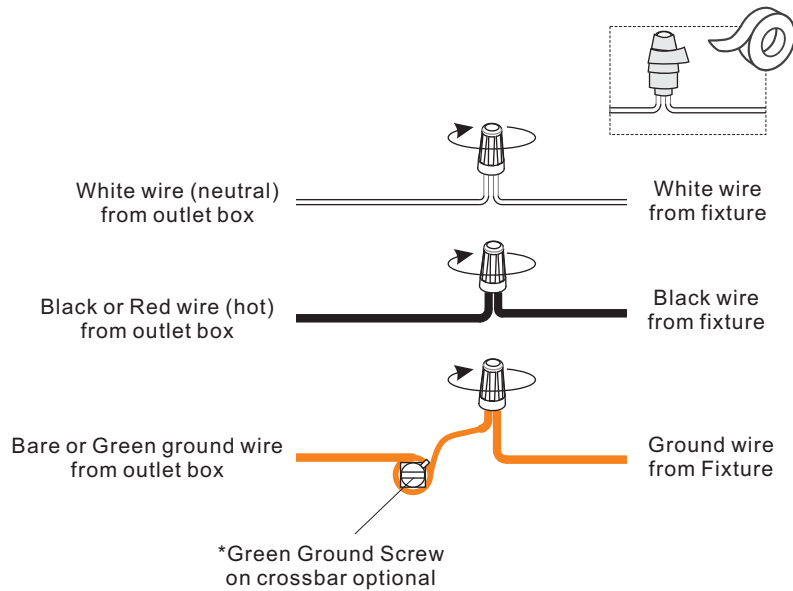
Step 1
Install crossbar assembly



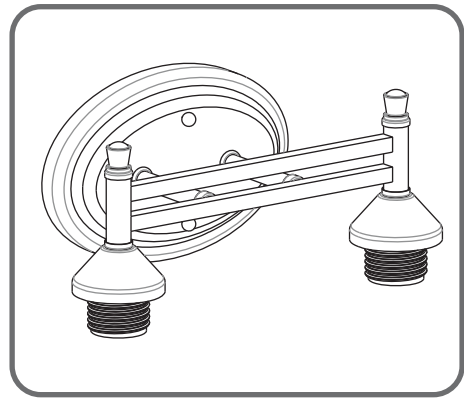
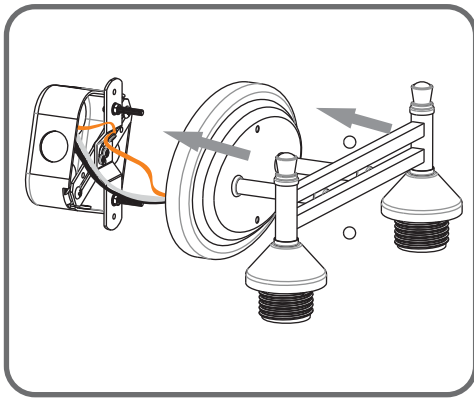
Step 2 - 3
Test fitting backplate to mounting screws



STEP 3



STEP 4



STEP 5

