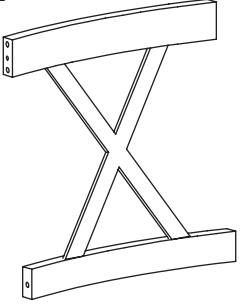
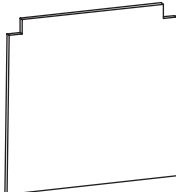
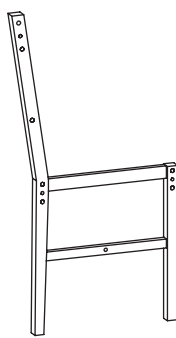
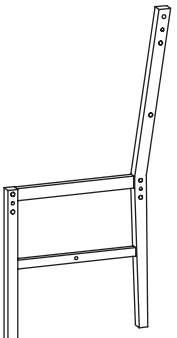




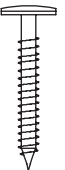

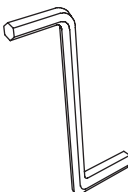
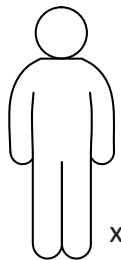
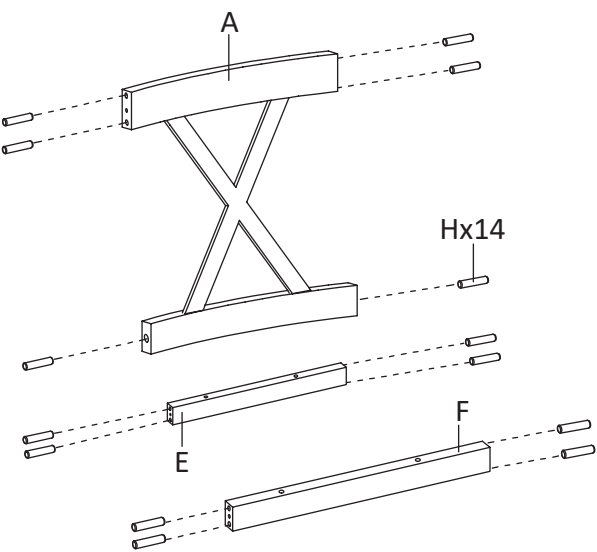

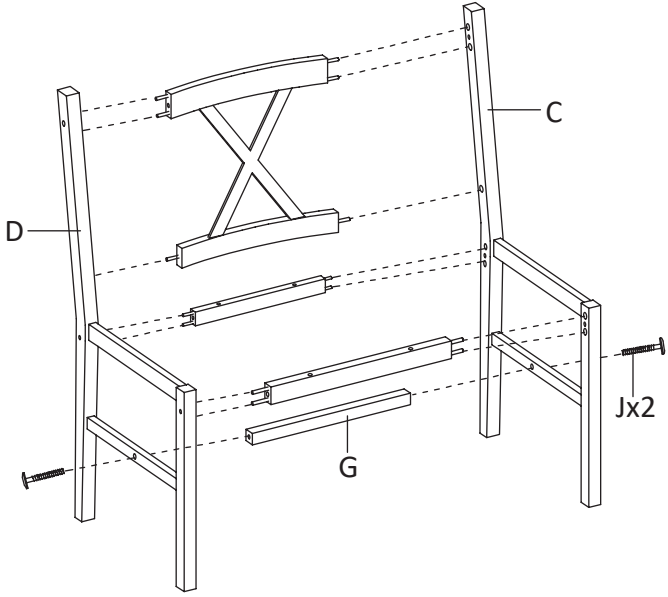
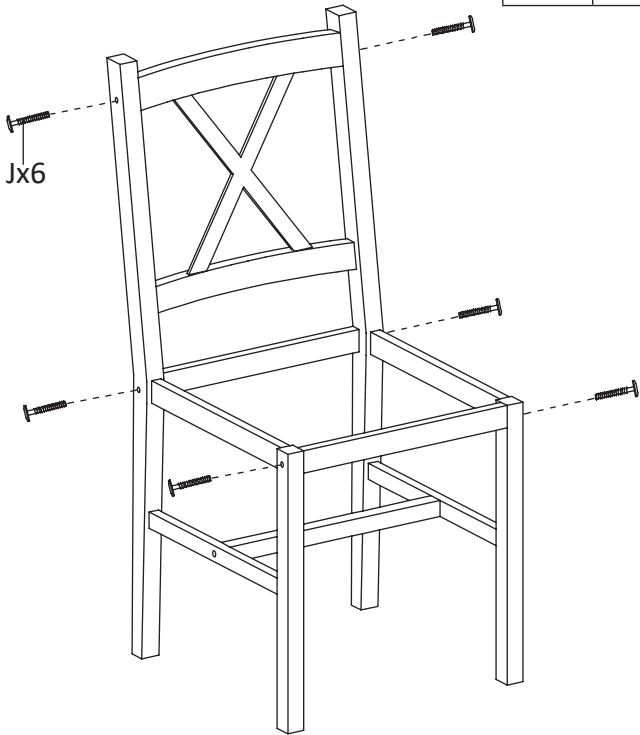
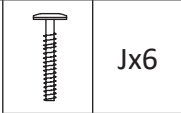
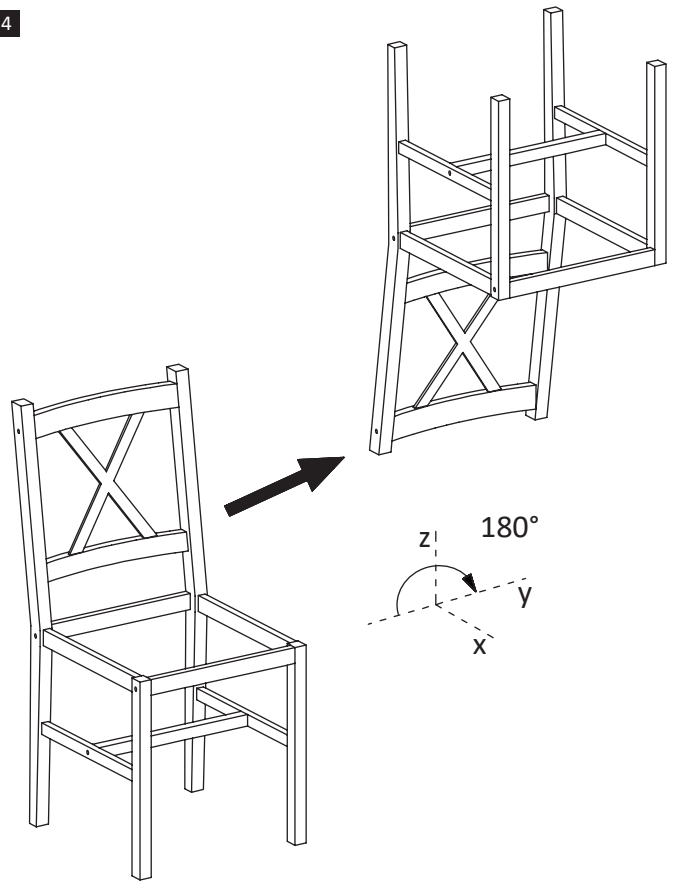


<p>Ax1</p> 	<p>Bx1</p> 	<p>Cx1</p> 	<p>Dx1</p> 	
<p>Ex1</p> 	<p>Fx1</p> 	<p>Gx1</p> 	<p>Hx14</p> 	
<p>Ix4</p> 	<p>Jx8</p> 	<p>Kx1</p> 	<p>Lx2</p> 	
<p>1</p> 		<p>Hx14</p> 	<p>2</p> 	

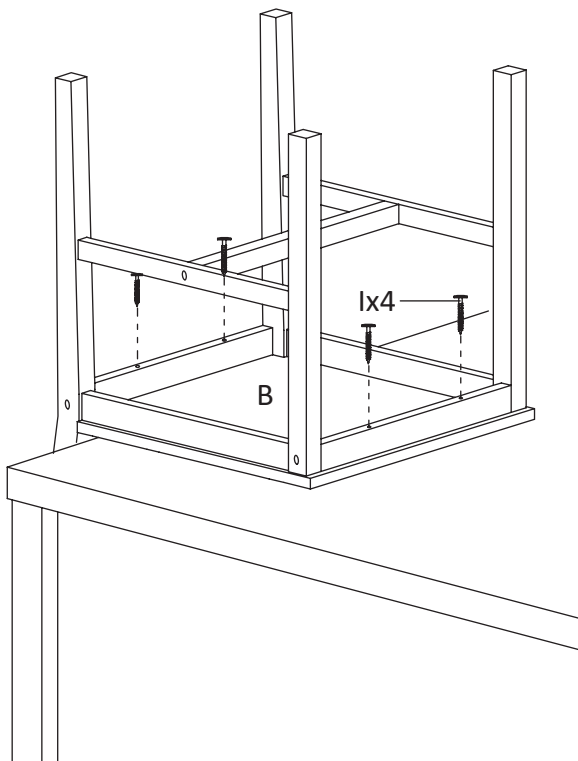
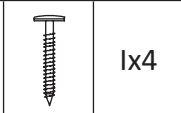
3



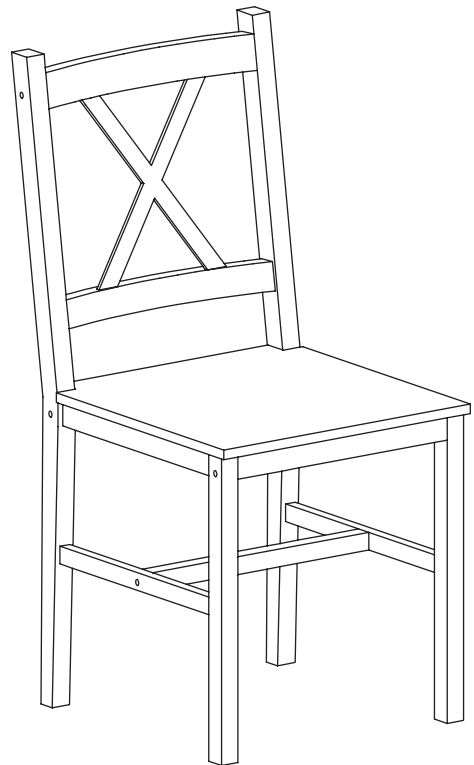
4

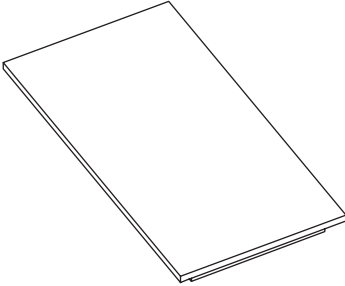

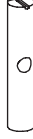





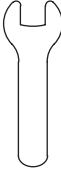
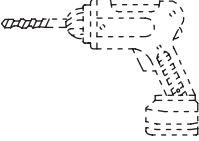
5

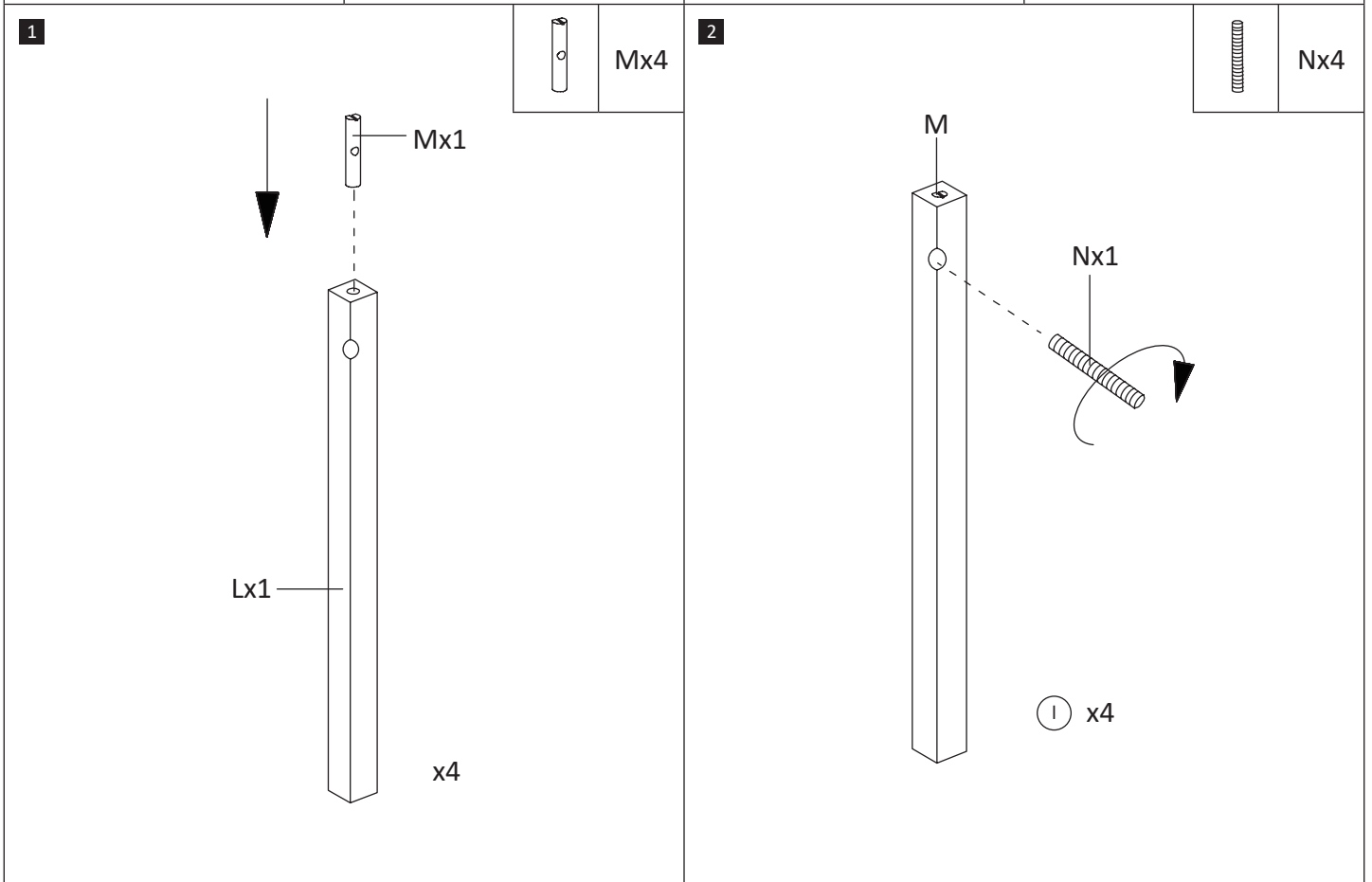


6

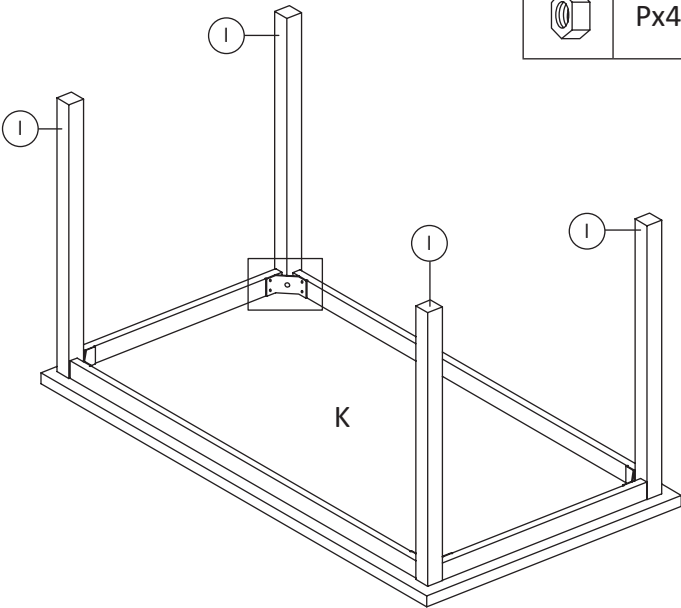




<p>Kx1</p> 	<p>Lx4</p> 	<p>Mx4</p> 	<p>Nx4</p> 
---	--	--	--

<p>Ox4</p> 	<p>Px4</p> 		
--	--	--	---

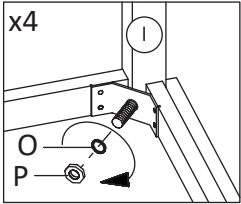
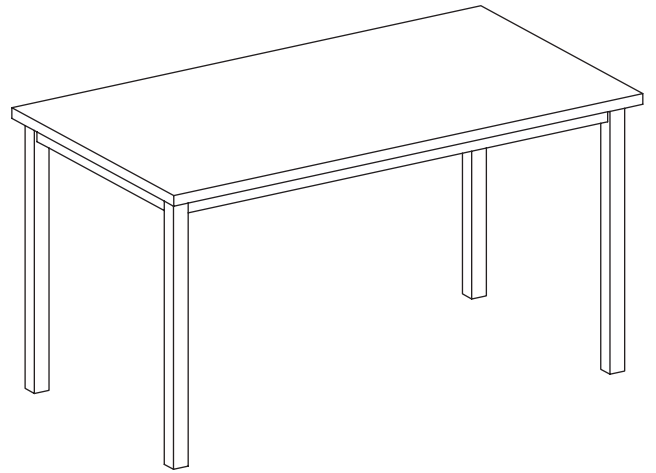


3



	Ox4
	Px4

4



5

