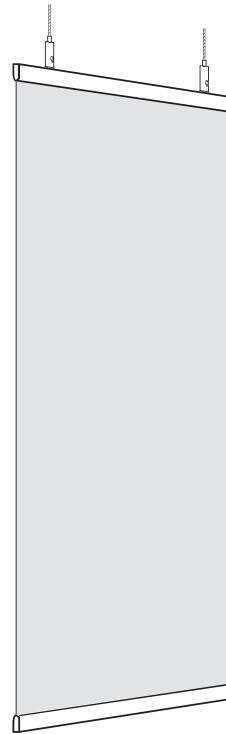


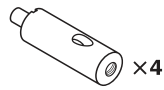
Hanging Room Divider

INSTRUCTION MANUAL

Please read the instruction carefully before use. Please confirm the following parts are included before assembling.



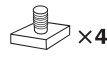
Parts



Cable Gripper ×4



Ceiling Attachment ×4



Nut ×4



Wall Anchor ×4



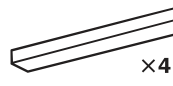
Screw ×4



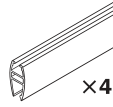
End Cap ×8



Cable ×4



L Strip ×4



Bar ×4

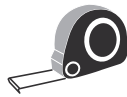


Fabric ×2

Tools needed



Pencil



Tape Measure



Screw Driver



Scissors



Drill/ Drill Bits



Plier



Ladder



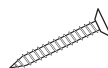
Stapler

Remark



Screw Suggestion

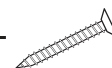
Wood



Cement

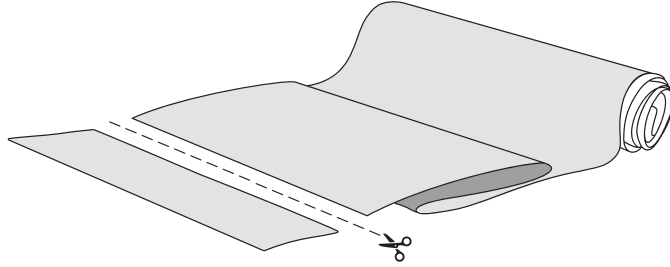


+



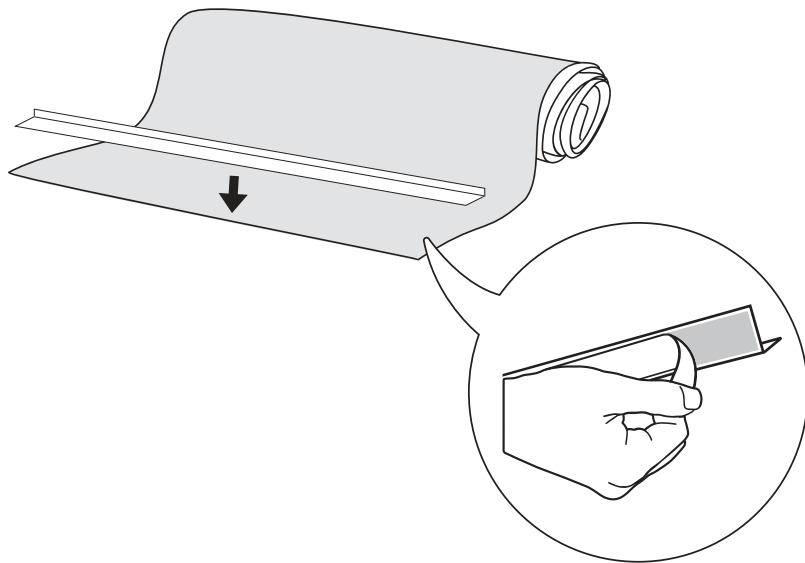
Installation **Fabric Assembly**

1-1 Measure the height you need, and cut out unwanted length of fabric.

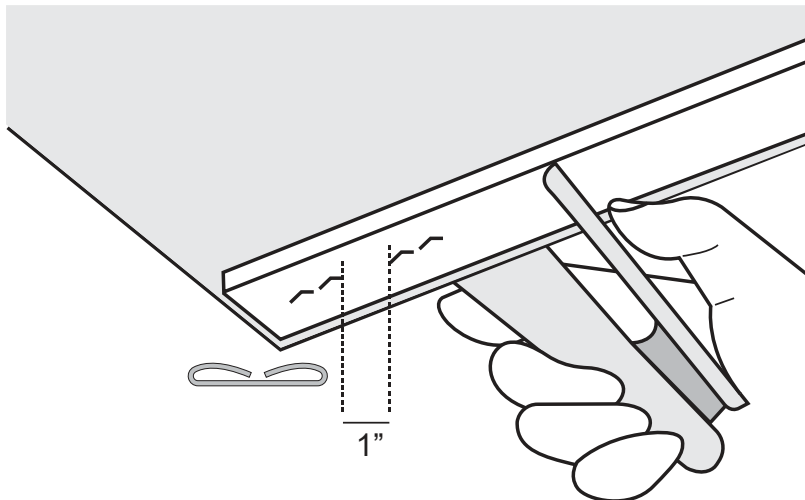


1-2 Staple the L strip and the fabric.

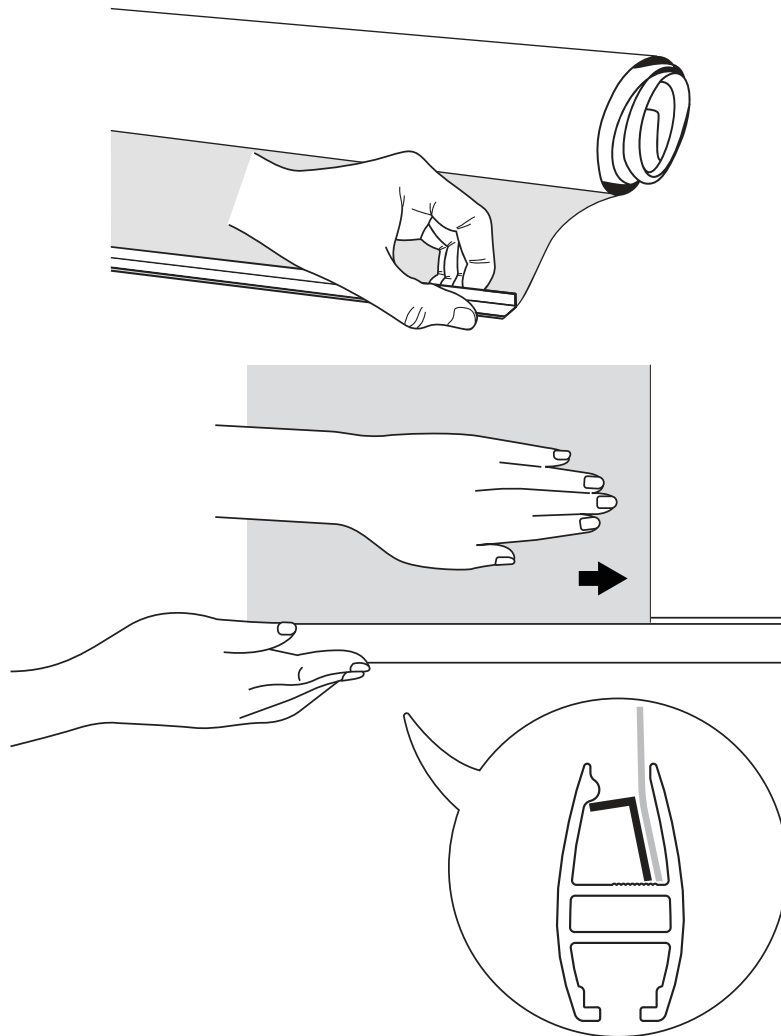
- Peel off the backing paper, and attach the strip on top of and along the fabric edge.



- Staple the strip and the fabric.

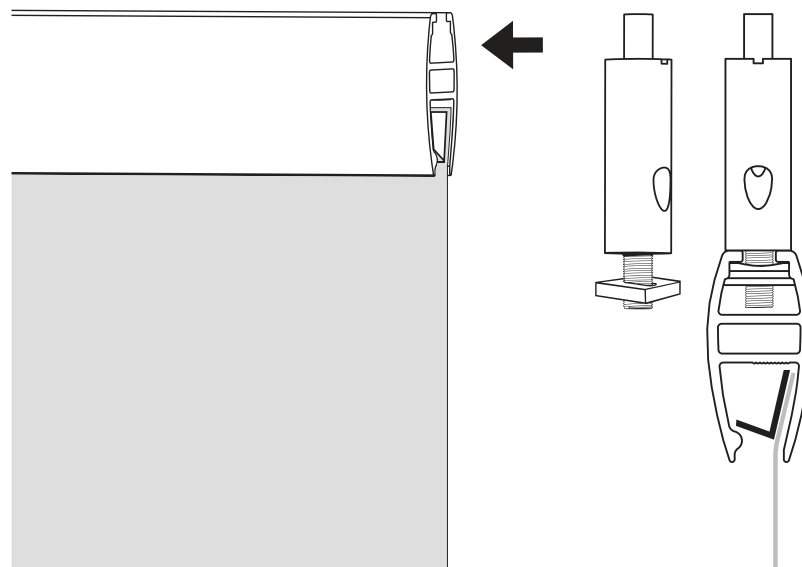


1-3 Slide the fabric through the bar.

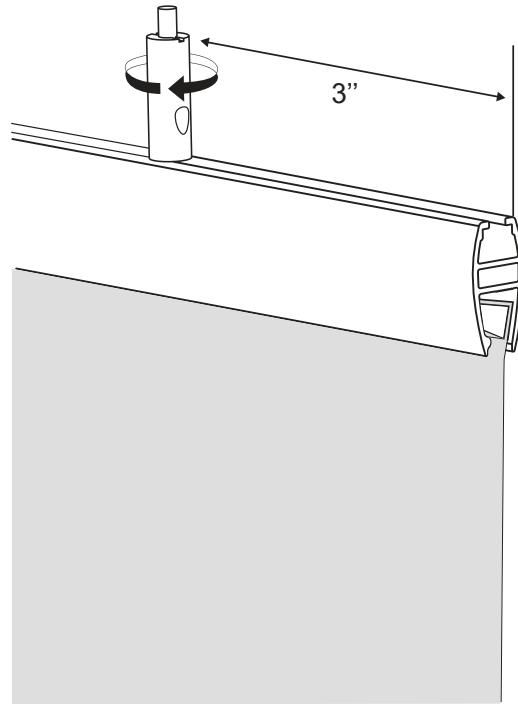


Repeat steps 1-2 & 1-3 for the other end of the fabric.

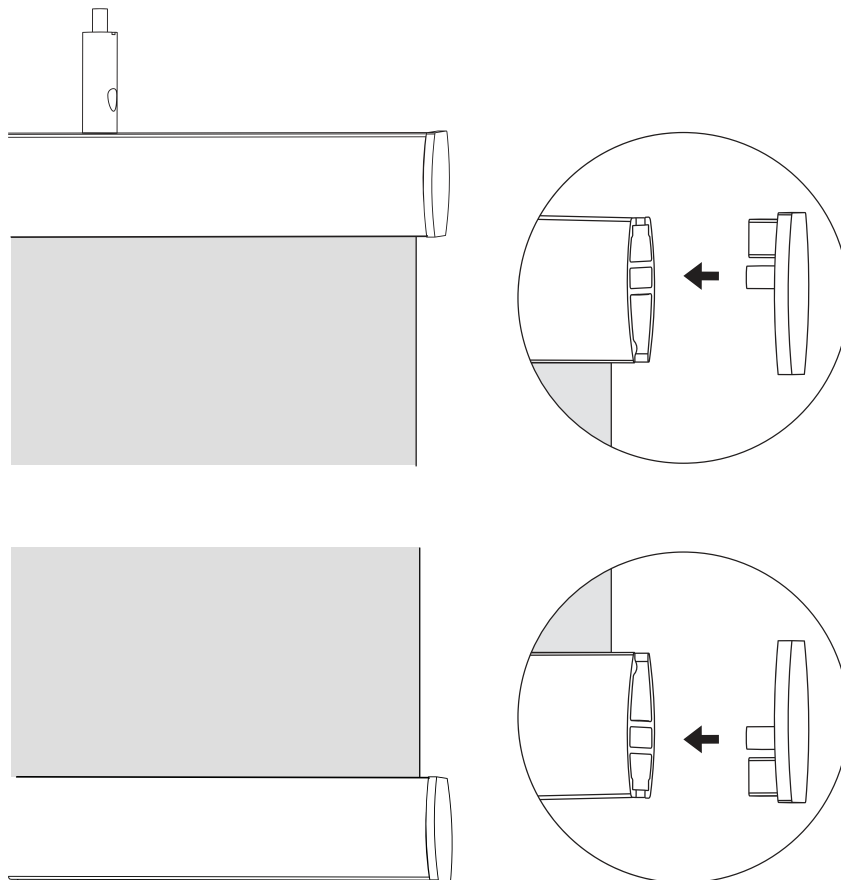
1-4 Screw the nut into the cable gripper, and slide it into the top bar.



1-5 Tighten the gripper 3" from each end of the top bar.

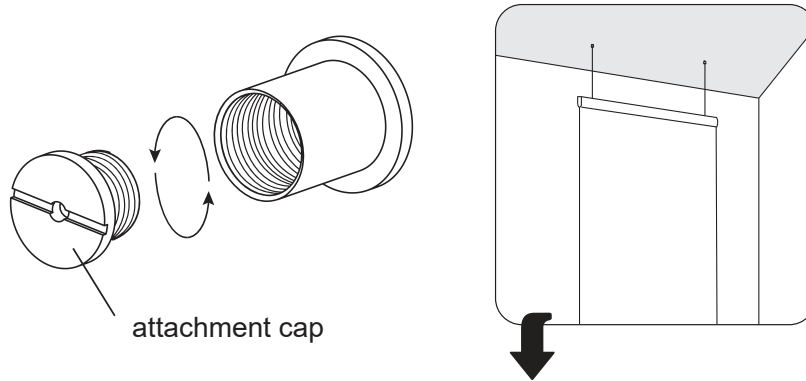


1-6 Insert the end caps into both ends of the bars.

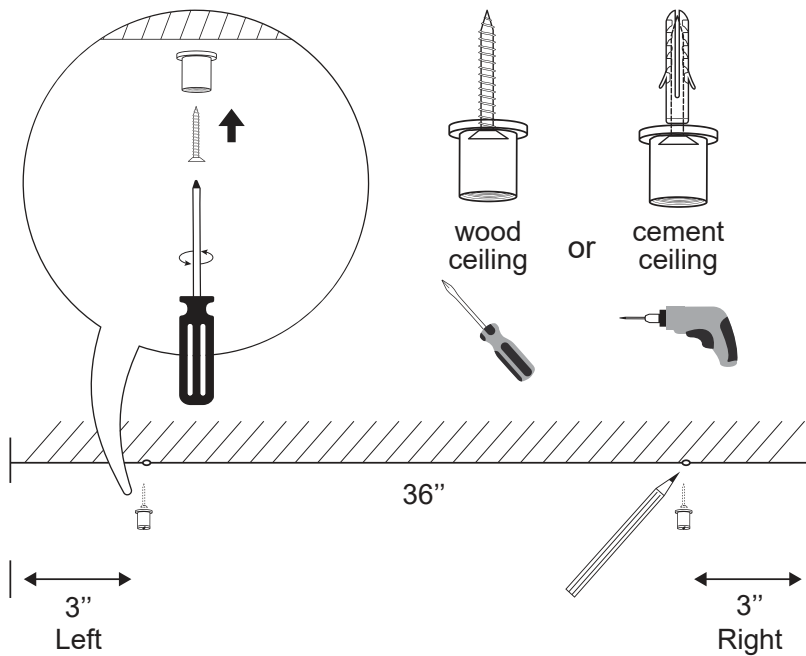


Installation **Ceiling Mounting**

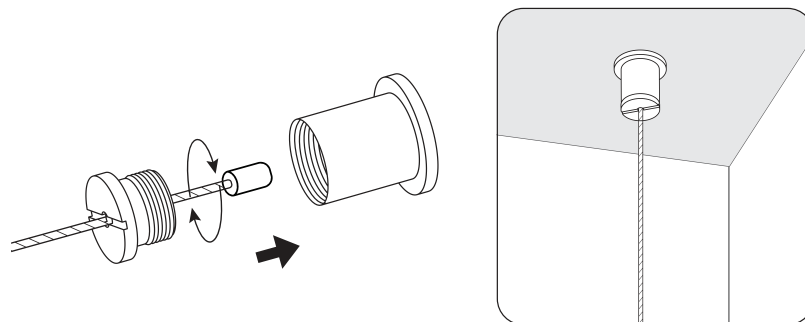
2-1 Loosen the ceiling attachment.



2-2 Mark the screw locations, and screw the attachments into place.

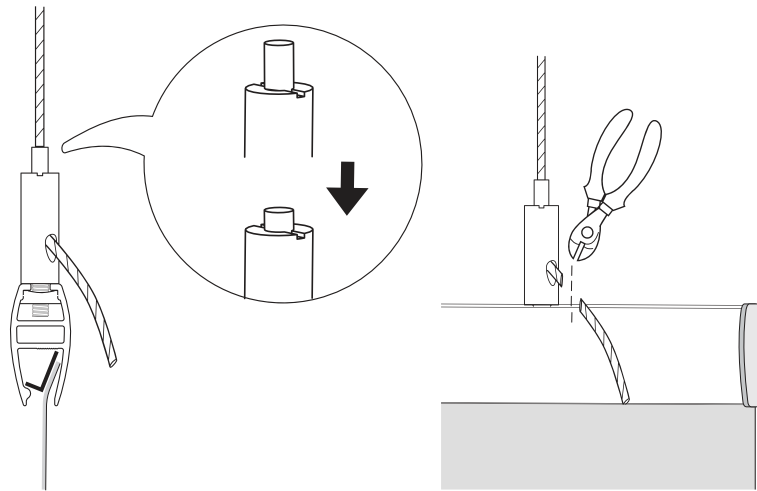


2-3 Thread the cable through the attachment cap and screw it on to the attachment.

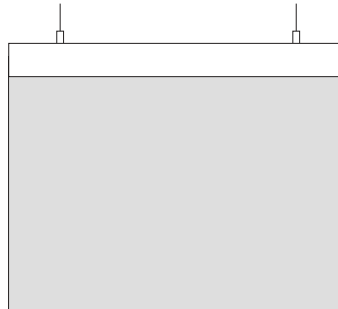


2-4 Insert the cable into the gripper. After the desired height is determined and the fabric is level, cut the excess cable.

* Press the pin to lower the gripper.



2-5 Finish



Care & Maintenance

Normal Cleaning

Use a vacuum or duster to remove dust.
Do not wash.
Do not brush the fabric, it may cause permanent damage.
Do not iron.
Do not use steam.

Spot Cleaning

Soak up stains with towels or soft cloth.
Use clean cloth dipped in cold water to remove any residue.
Let fabric dry thoroughly in cool place.

Warranty

3 Years