

# artos<sup>®</sup>

F501-8-1

INSTALLATION GUIDE

opera in wall lav faucet single  
handle

BRUSHED NICKEL(BN)



CHROME(CH)



BLACK (BK)



# artos<sup>®</sup>

F501-8-1

## OPERATING SPECIFICATIONS

opera in wall lav faucet single handle



### FEATURES

Integrated Control

### OPERATING PRESSURE

Minimum: 15 psi

Maximum: 75 psi

Above 90psi it may be necessary to install a pressure reducer

### OPERATING TEMPERATURE

Maximum: 176°

### FLOW RATE

1.2 USGPM

### APPROVALS



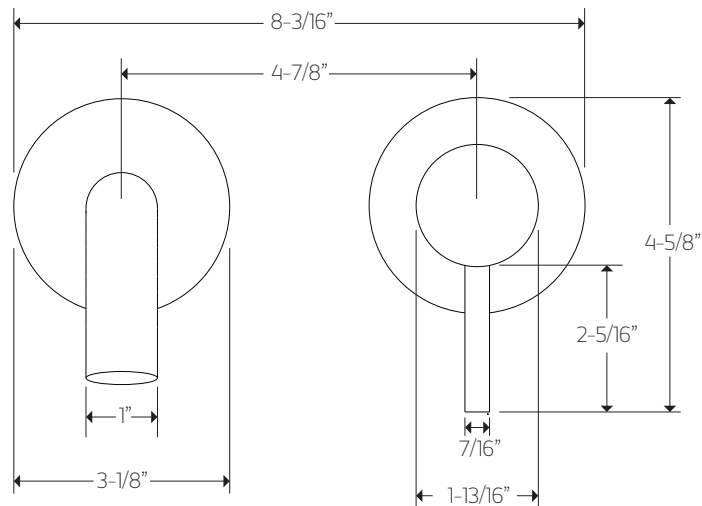
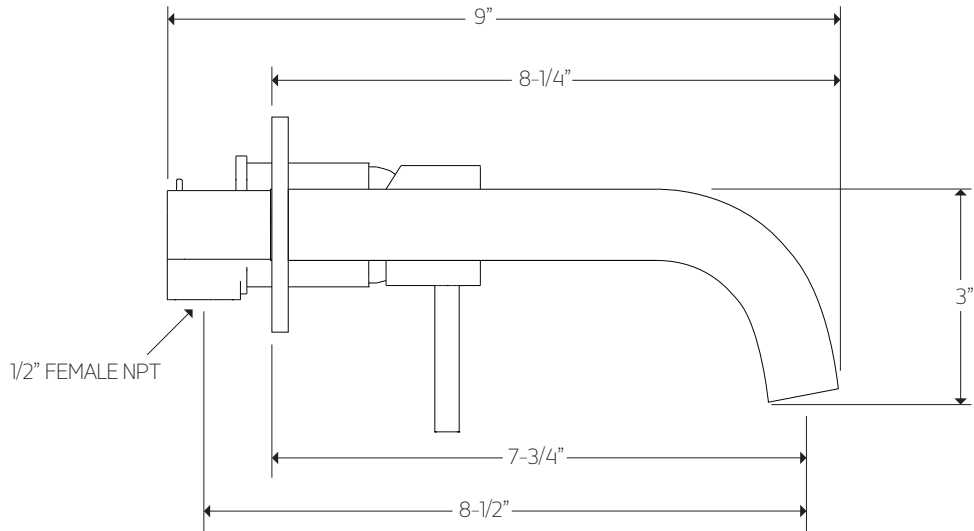
# artos<sup>®</sup>

## F501-8-1

## PRODUCT DIMENSIONS

opera in wall lav faucet single  
handle

for trim



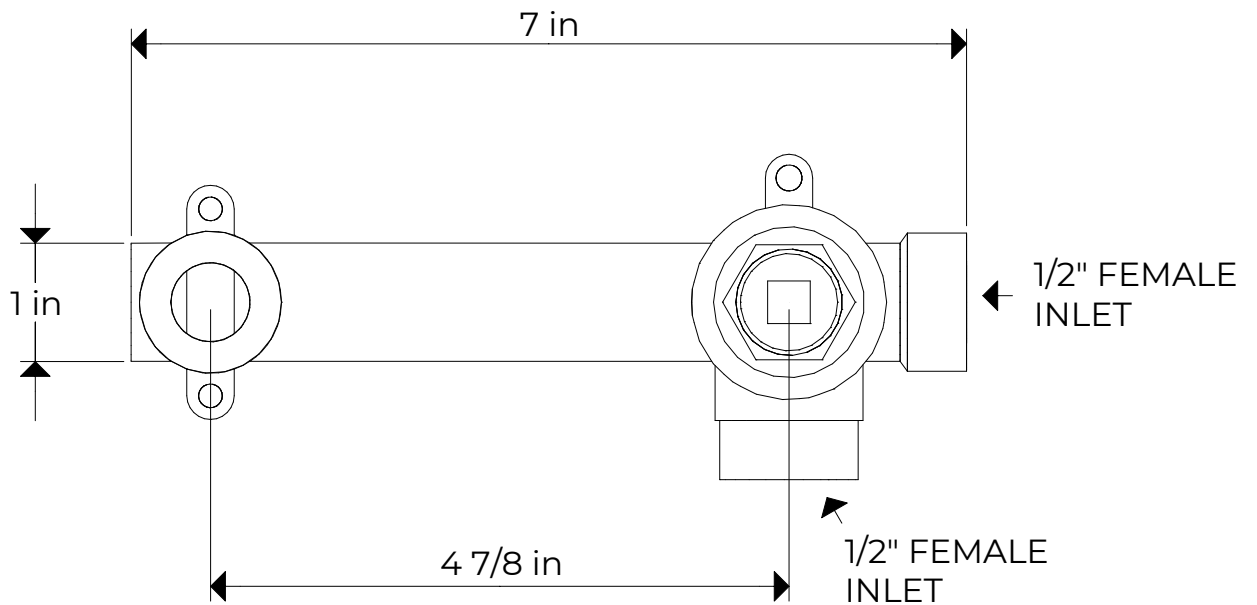
# artos<sup>®</sup>

F501-8-1

## PRODUCT DIMENSIONS

opera in wall lav faucet single  
handle

for valve body (included)

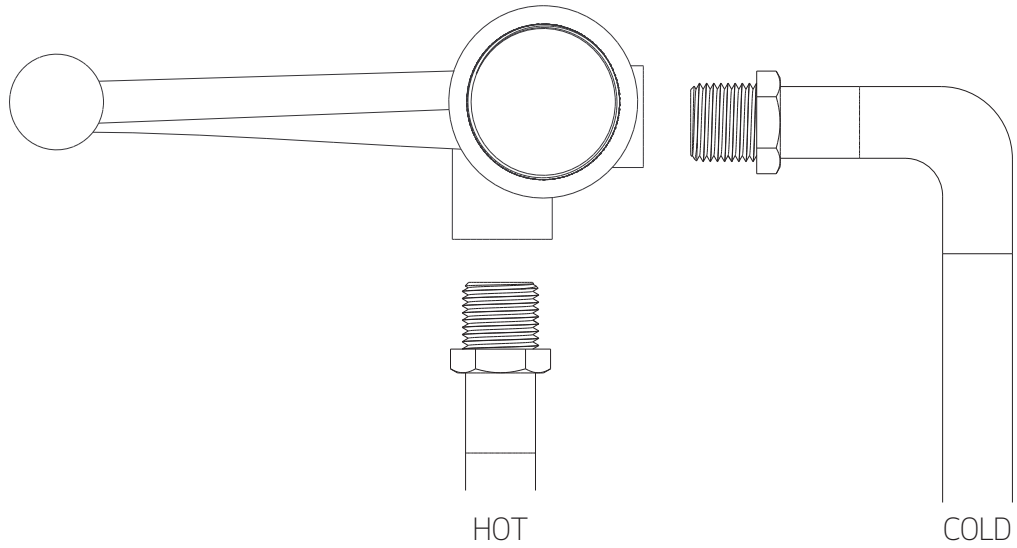


F501-8-1

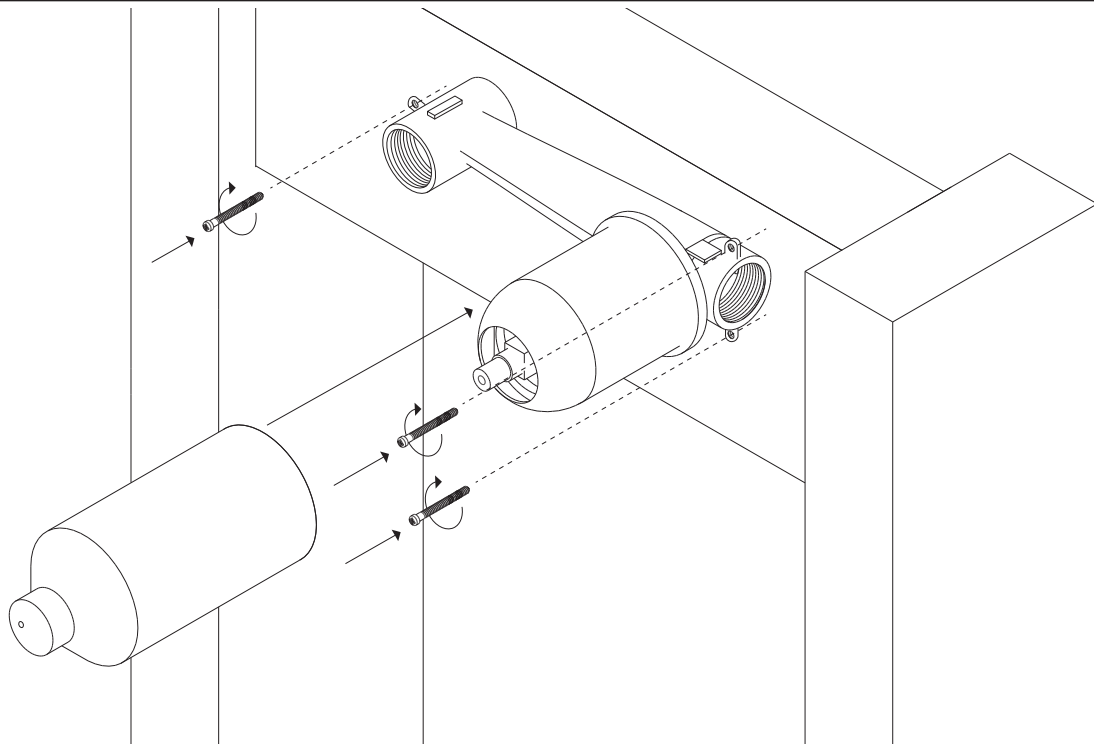
# INSTALLATION STEPS

opera in wall lav faucet single handle

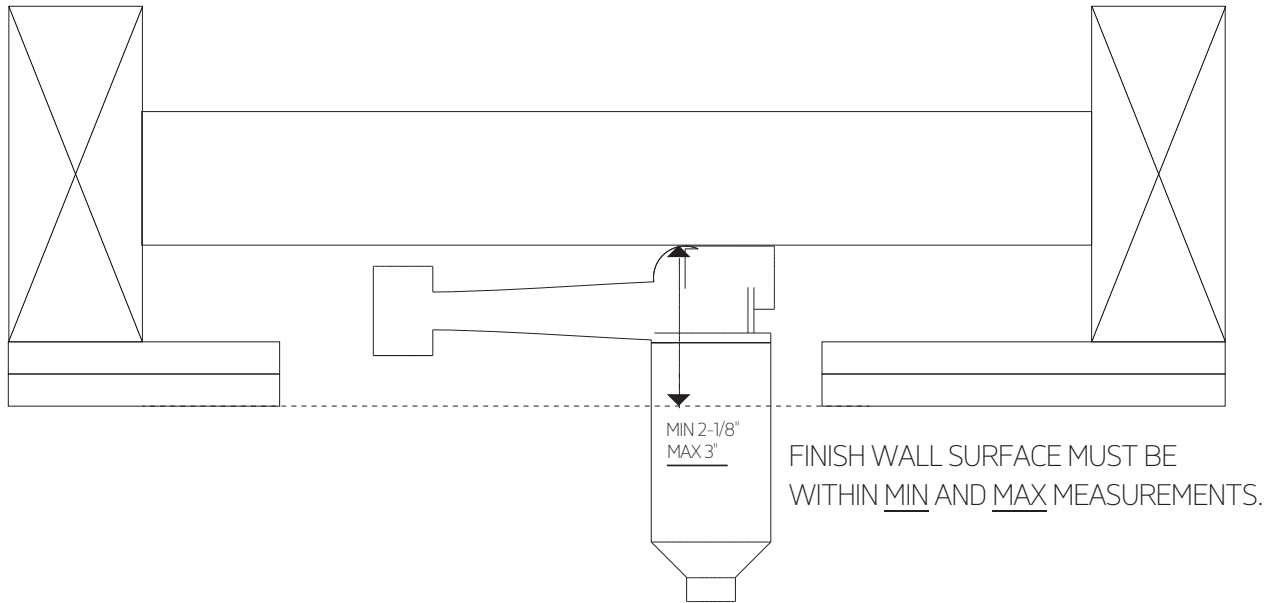
## STEP 1



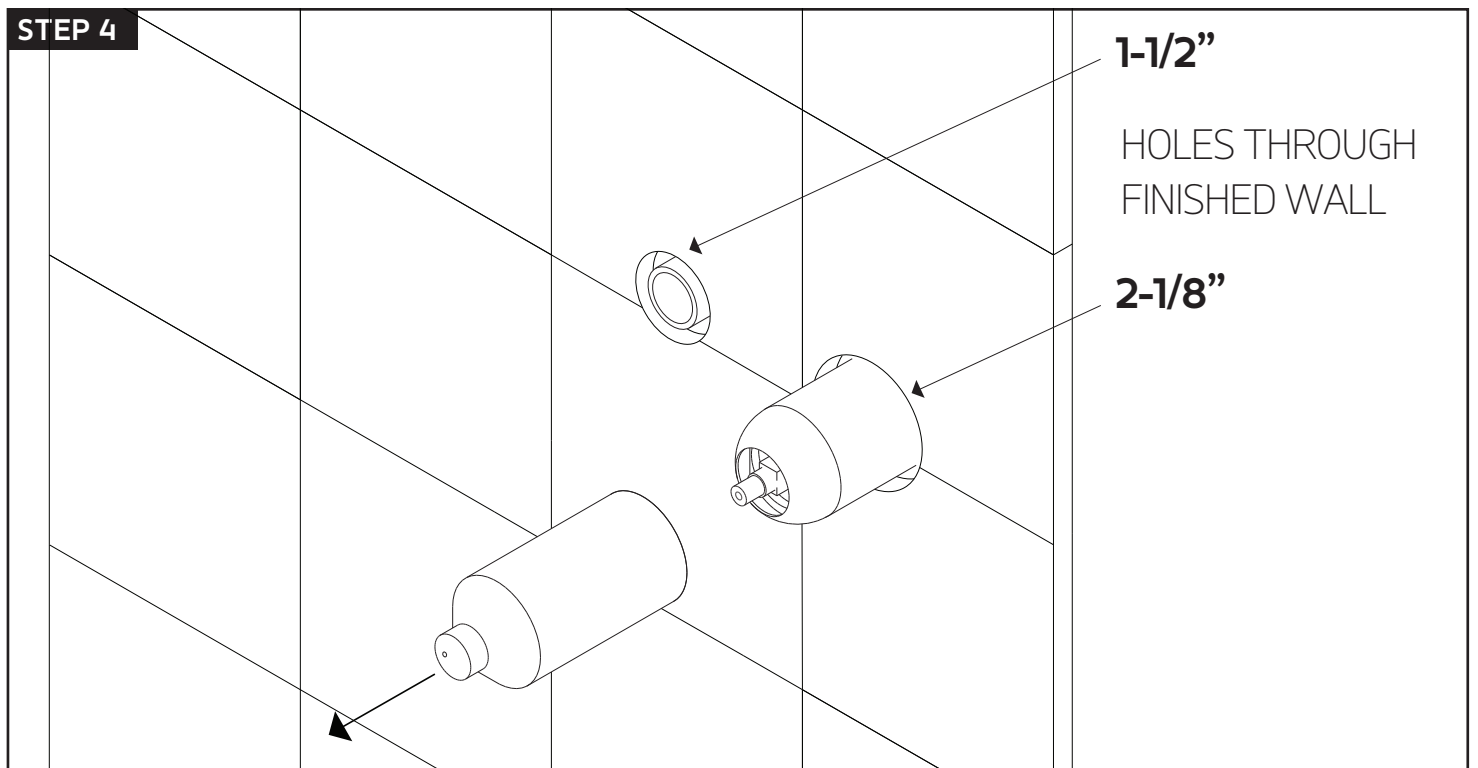
## STEP 2



### STEP 3

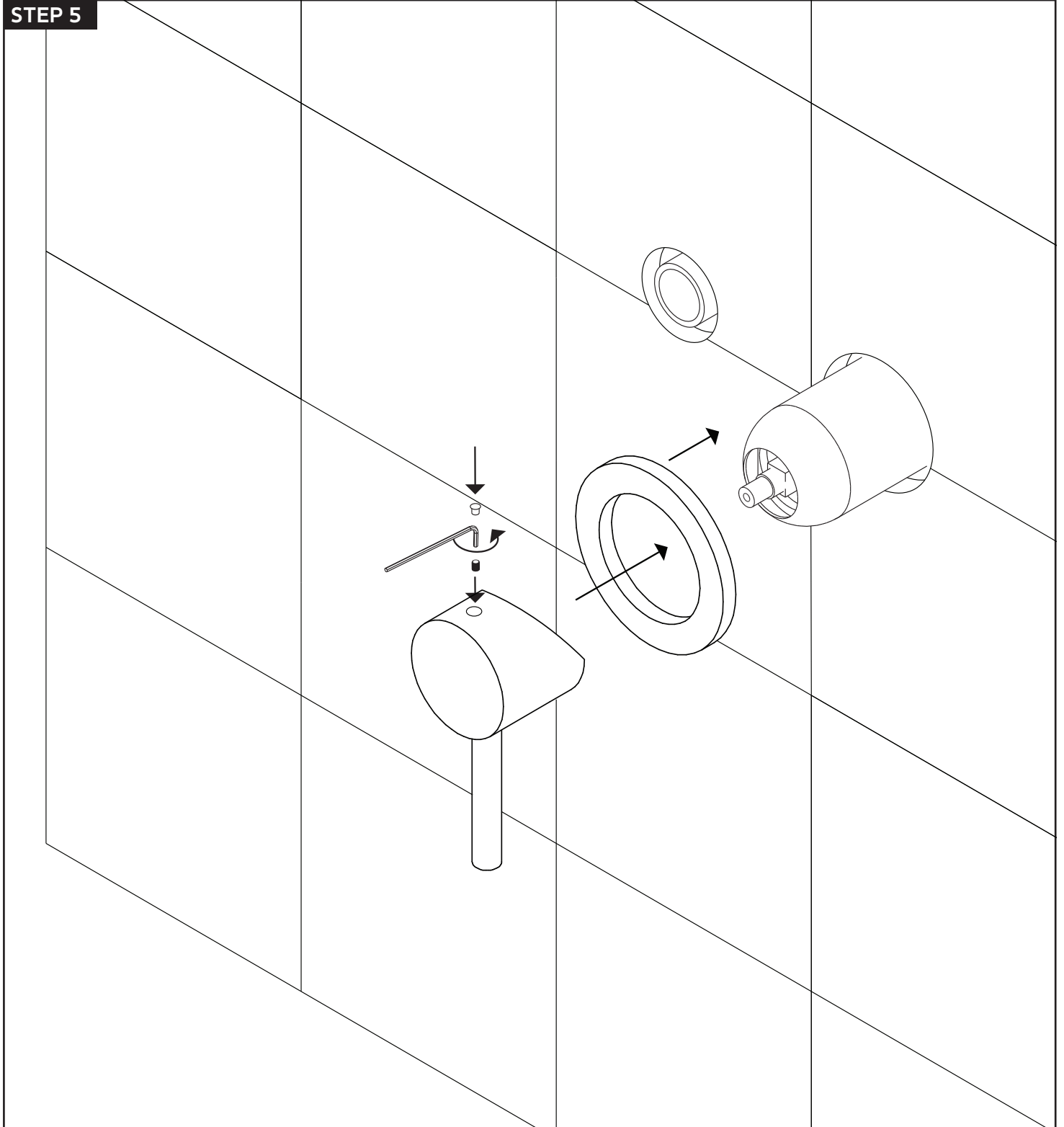


### STEP 4



# INSTALLATION STEPS

## STEP 5



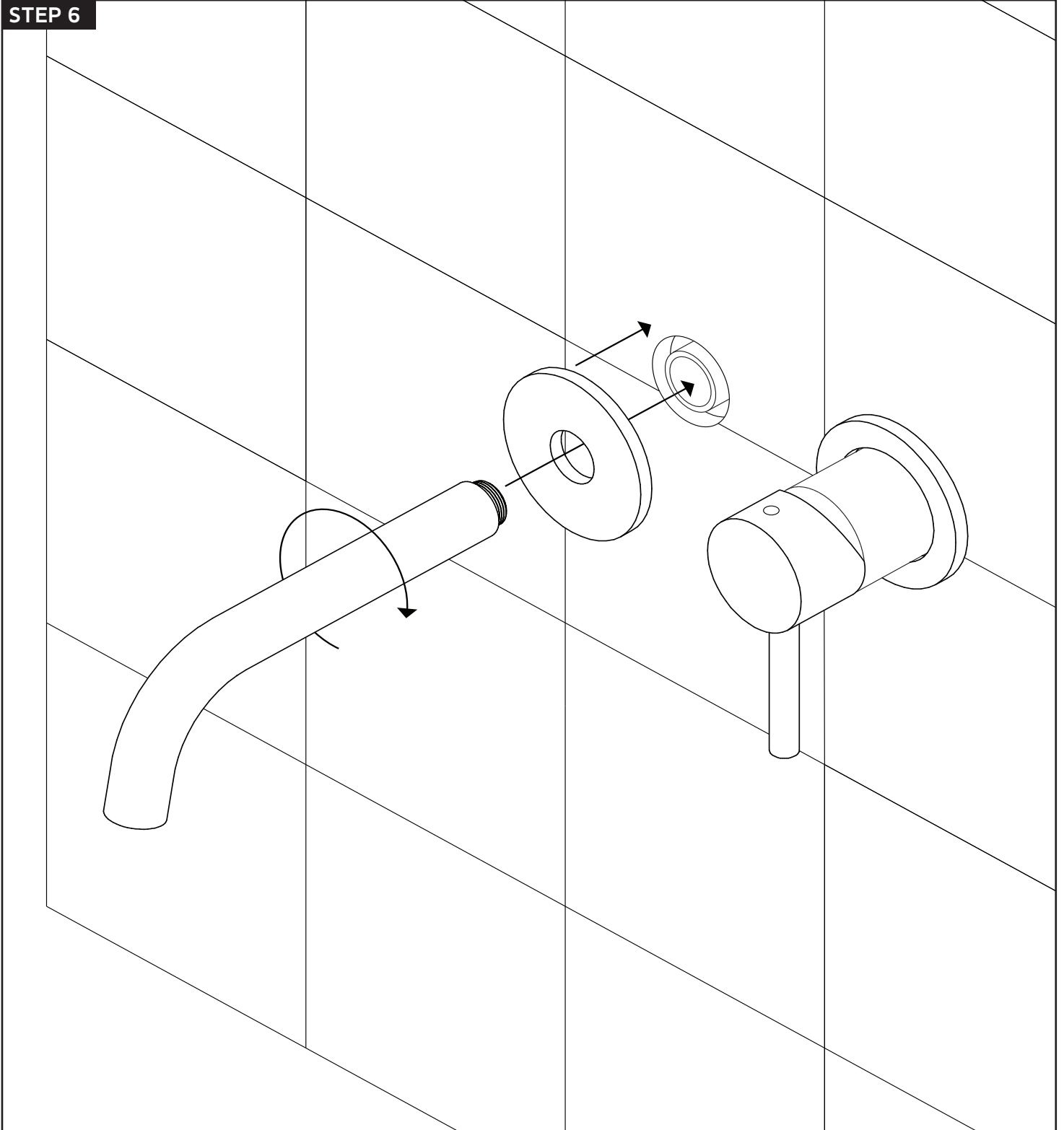
# artos<sup>®</sup>

F501-8-1

## INSTALLATION STEPS

opera in wall lav faucet single  
handle

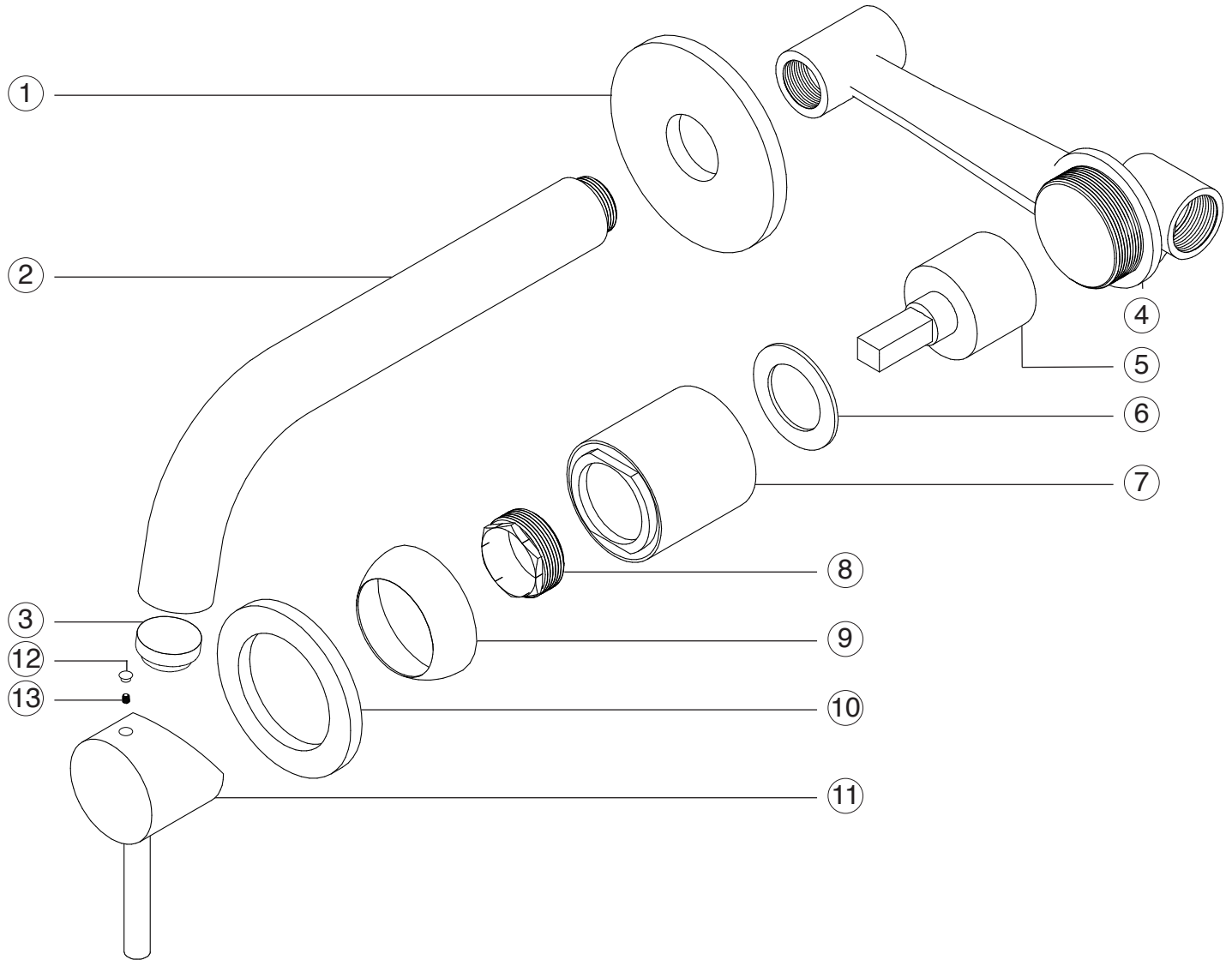
### STEP 6



F501-8-1

**PARTS BREAKDOWN**

opera in wall lav faucet single handle



- ① SPOUT ESCUTCHEON PLATE
- ② FAUCET SPOUT
- ③ FAUCET AERATOR
- ④ VALVE BODY
- ⑤ CARTRIDGE: XP-12969
- ⑥ CARTRIDGE GASKET
- ⑦ CARTRIDGE HOUSING
- ⑧ CARTRIDGE SECURING NUT
- ⑨ DRESS RING

- ⑩ CONTROL HANDLE ESCUTCHEON
- ⑪ CONTROL HANDLE
- ⑫ CONTROL HANDLE CAP
- ⑬ CONTROL HANDLE SET SCREW