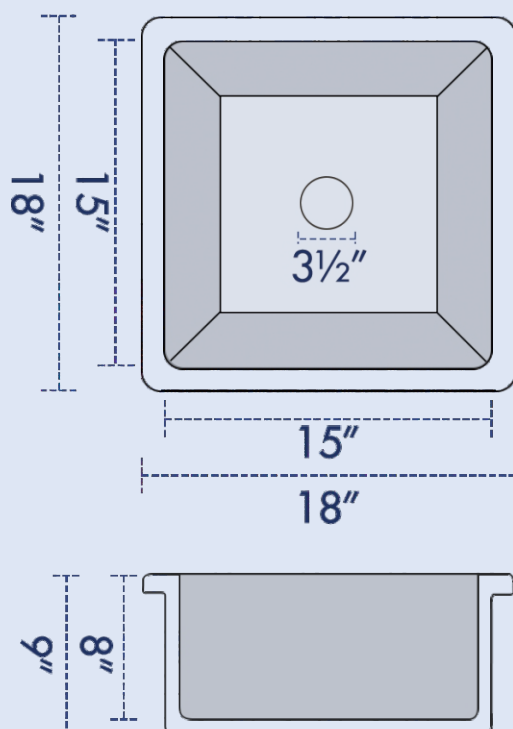




### SPECIFICATIONS

- Dimensions: 18"L x 18"W x 9"H
- Inner dim: 15"W x 15"D x 8"H
- Net weight: 36.4 lbs



### FEATURES

- Solid fireclay construction
- Drop-in/Undermount installation
- Easy-to-clean, non-porous finish
- Bottom grid and strainer included
- Serves as a bar, prep or laundry sink

### INSTALLATION

- Drop-in/Undermount

### PARTS INCLUDED

- Sink: ERI-DS-161
- Basket Strainer
- Bottom Grid

### COLORS & FINISHES



White