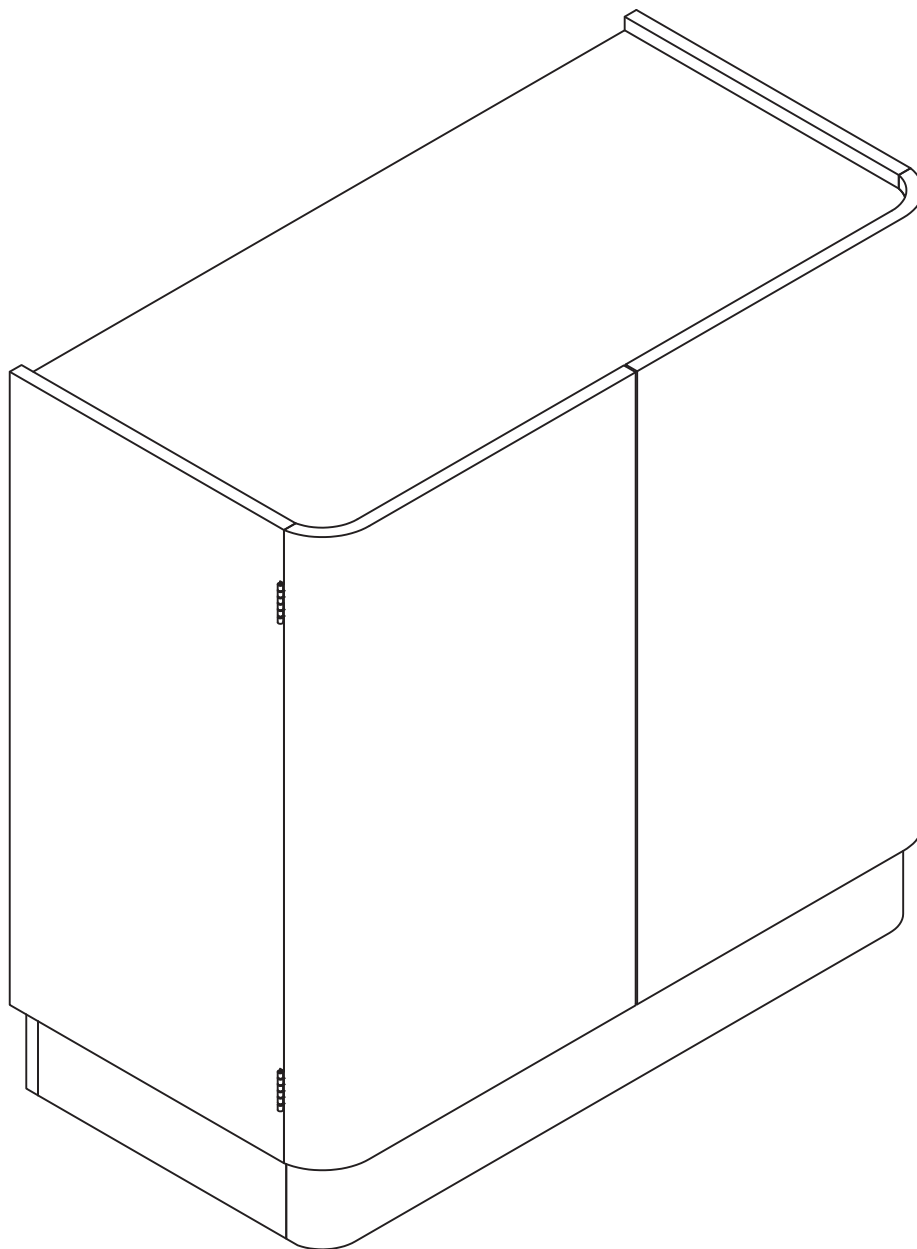


## BUFFET & SIDEBOARD ROUNDED DESIGN



# Installation Instruction

Please read this instruction carefully before the installation and keep it for the future use and the warranty.

# BRAND SUPPORT

Thank you for choosing us !

We are a brand that specializes in producing storage cabinets.

Your suggestions are important to us. We would greatly appreciate it if you could share your ideas with us so that we can improve our products and better satisfy our customers.

 **Manufacturer warranty for 2 years from date of purchase.**

## General Guidelines

1. Please carefully read the following instructions and use the product accordingly.
2. Keep this manual and pass it on when transferring the product.
3. This summary may not include every detail of all variations and considered steps. If you need further information or assistance, please feel free to contact us at our official email address:

## Warnings

1. Children are not allowed to assemble the product. During assembly, please ensure that small parts are kept out of the reach of children, as they may pose a choking hazard if swallowed or inhaled.
2. Children should not climb or stand on the product to avoid the risk of personal injury from tipping over.
3. Keep plastic packing bags out of reach of children to prevent suffocation or other potential dangers.
4. Avoid using sharp objects or corrosive chemicals on the product, as they can cause damage to both the product and the user.
5. Please refrain from using the product if any parts are defective or missing, as this may result in damage or injury.


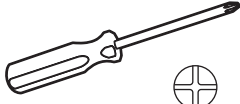
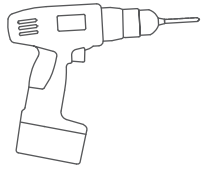
## Notes

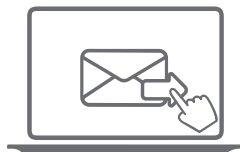
1. This product is intended for indoor use only. Any use of the product outside of its intended purpose or any modifications made to the product from its original design may result in personal injury or damage to the product. Please assemble and use the product following the instructions provided in the manual. The seller cannot be held responsible for any damage caused by incorrect assembly or improper use.
2. Avoid placing the product in damp environments for extended periods of time to prevent the growth of mildew.
3. When assembling the product, start by loosely aligning all screws with their corresponding pre-drilled holes before tightening them one by one.
4. It is recommended to periodically inspect the tightness of screws while the product is in use. If necessary, re-tighten them to ensure the structural integrity of the product.

# ATTENTION

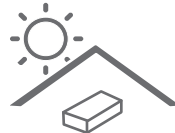


Offering

<b>T</b> x1 	<b>Not Offering</b>	
	 Phillips Screwdriver	 Electric Drill



KEEP DRY

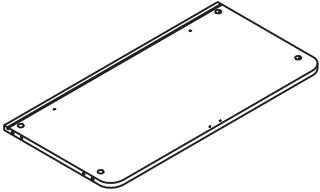
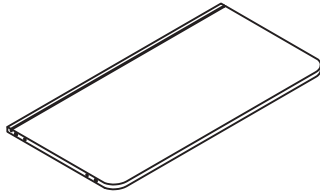
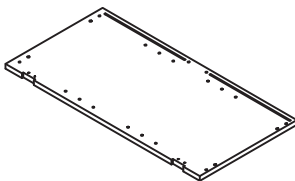
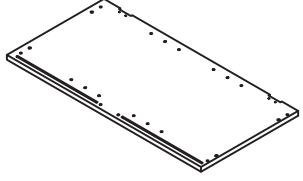
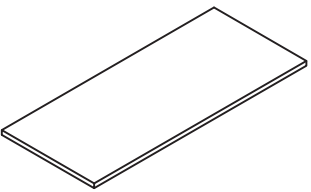
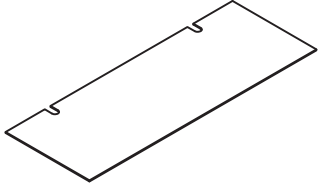
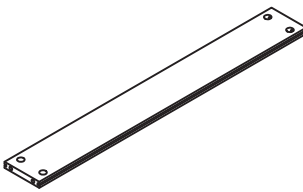
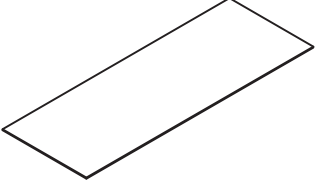
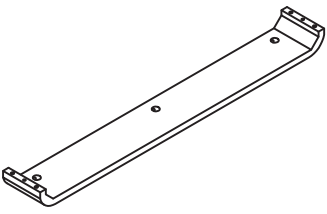
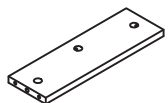
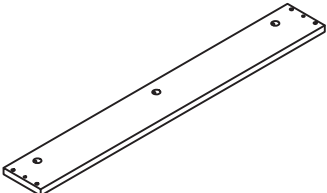
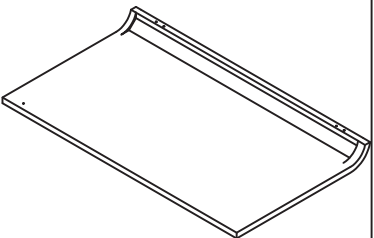
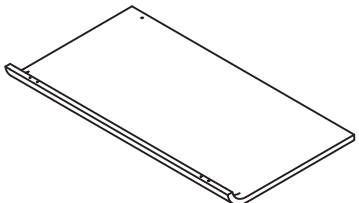


NO SUN EXPOSURE


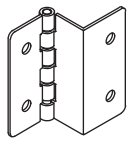


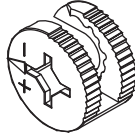
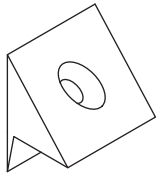
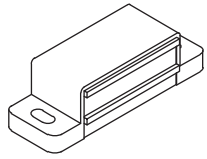
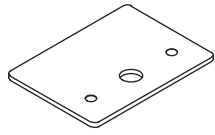
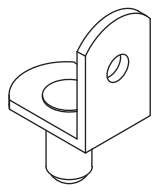



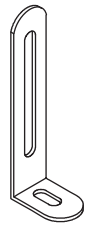


SOFT DRY CLOTH

# PARTS LIST:

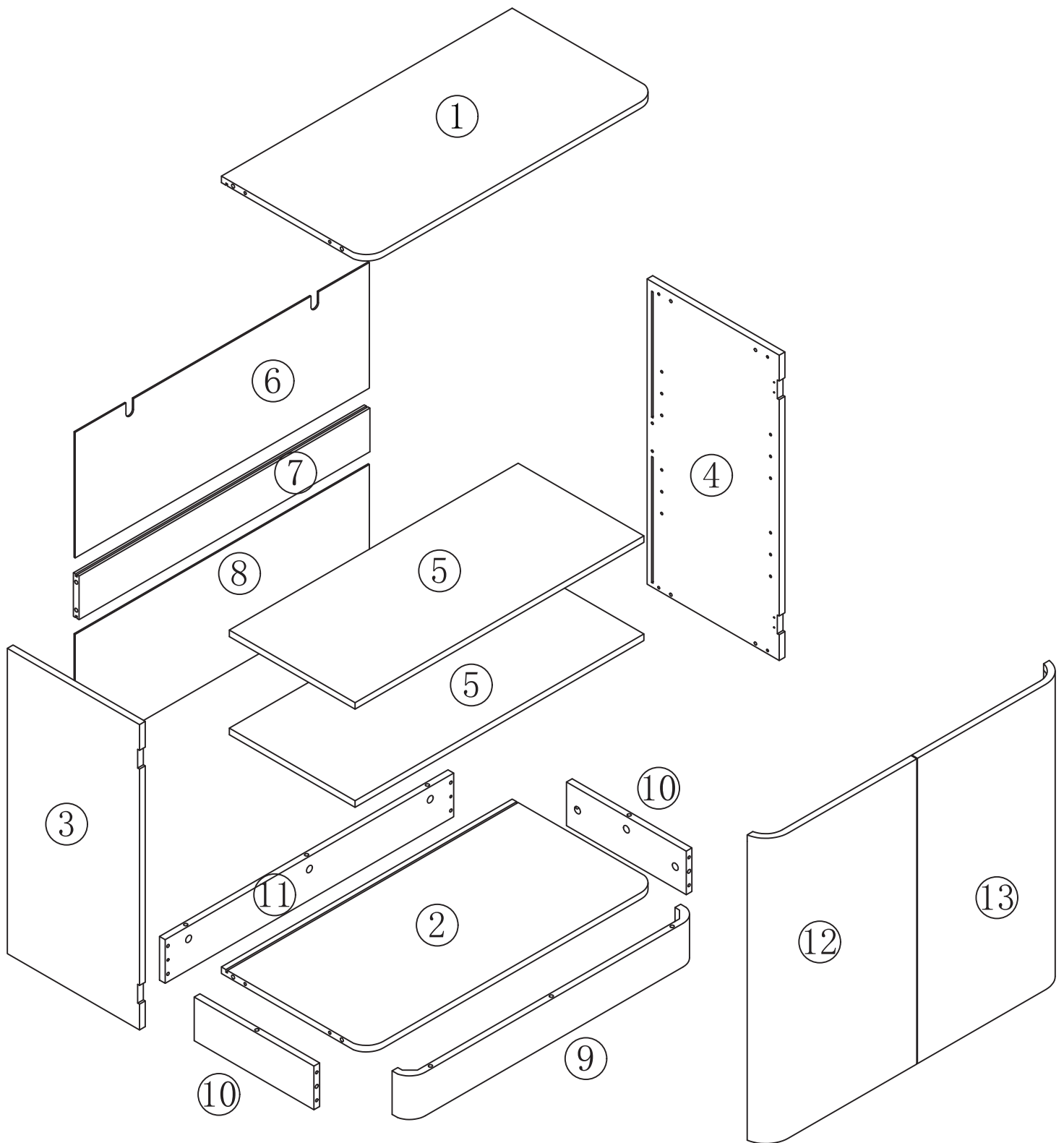
<p>① × 1</p> 	<p>② × 1</p> 	<p>③ × 1</p> 	<p>④ × 1</p> 
<p>⑤ × 2</p> 	<p>⑥ × 1</p> 	<p>⑦ × 1</p> 	<p>⑧ × 1</p> 
<p>⑨ × 2</p> 	<p>⑩ × 2</p> 	<p>⑪ × 1</p> 	<p>⑫ × 1</p> 
<p>⑬ × 1</p> 			

# HARDWARE LIST:

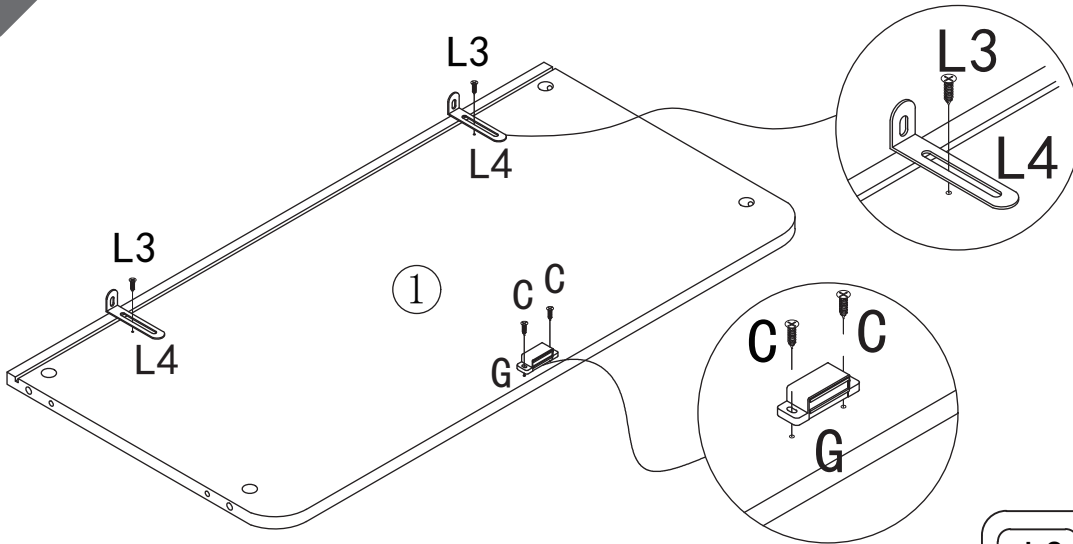
<p><b>A</b> ×24+2</p>  <p>Ø8X36</p>	<p><b>B</b> ×4</p> 	<p><b>C</b> ×28+2</p>  <p>Ø3X14</p>
<p><b>D</b> ×16+2</p>  <p>Ø6X25</p>	<p><b>E</b> ×24+2</p>  <p>Ø15X9</p>	<p><b>F</b> ×8</p> 
<p><b>G</b> ×1</p> 	<p><b>H</b> ×2</p> 	<p><b>I</b> ×8</p> 
<p><b>L</b> ×2</p> <p><b>L1</b>      <b>L2</b>      <b>L3</b>      <b>L4</b></p>     <p>Ø7.5X38      Ø4X38      Ø3.5X14</p>		





**!** **Note:** We provide additional 2 screws to prevent any damage or loss of screws that may occur.

# Product overall accessories display map

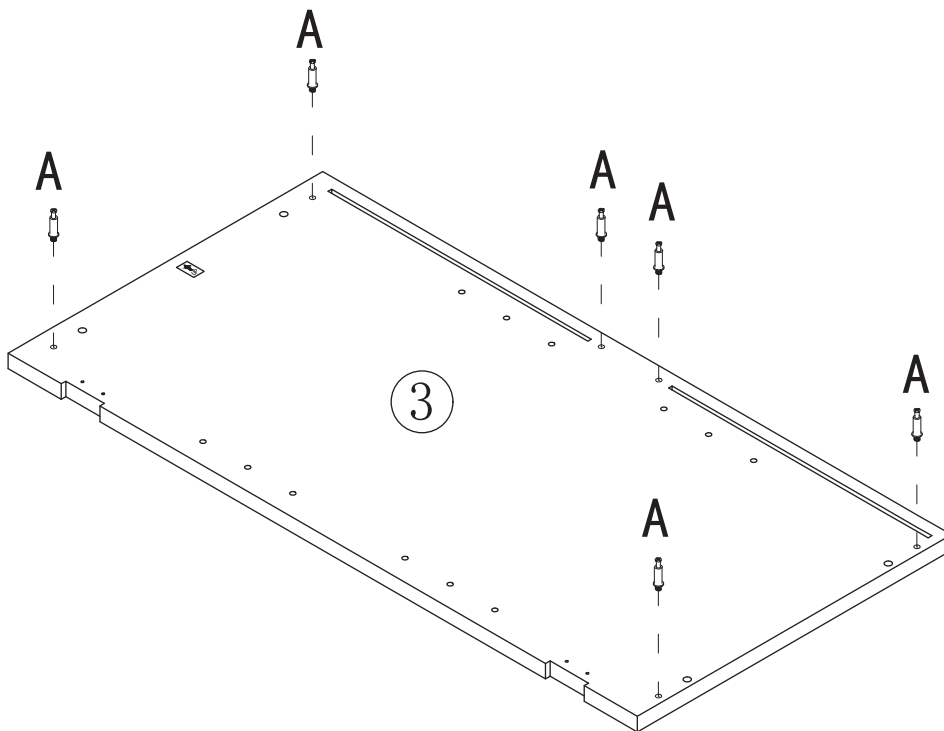


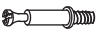
1



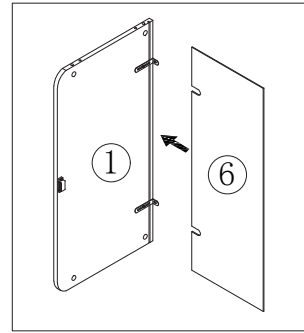
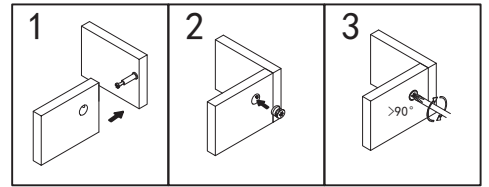
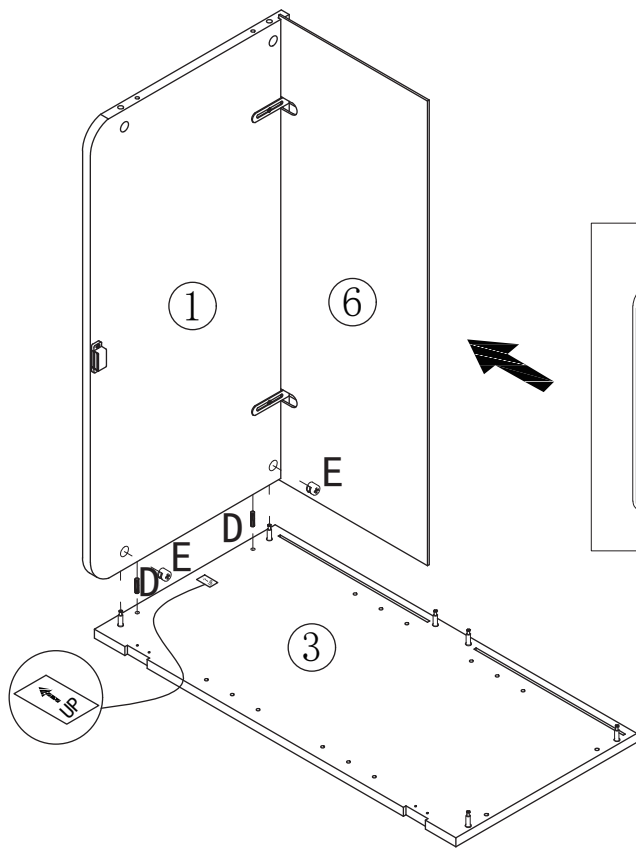
L3		2PCS
L4		2PCS
C		2PCS
G		1PCS

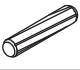

2



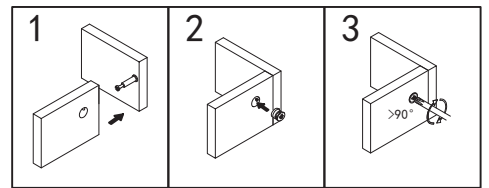
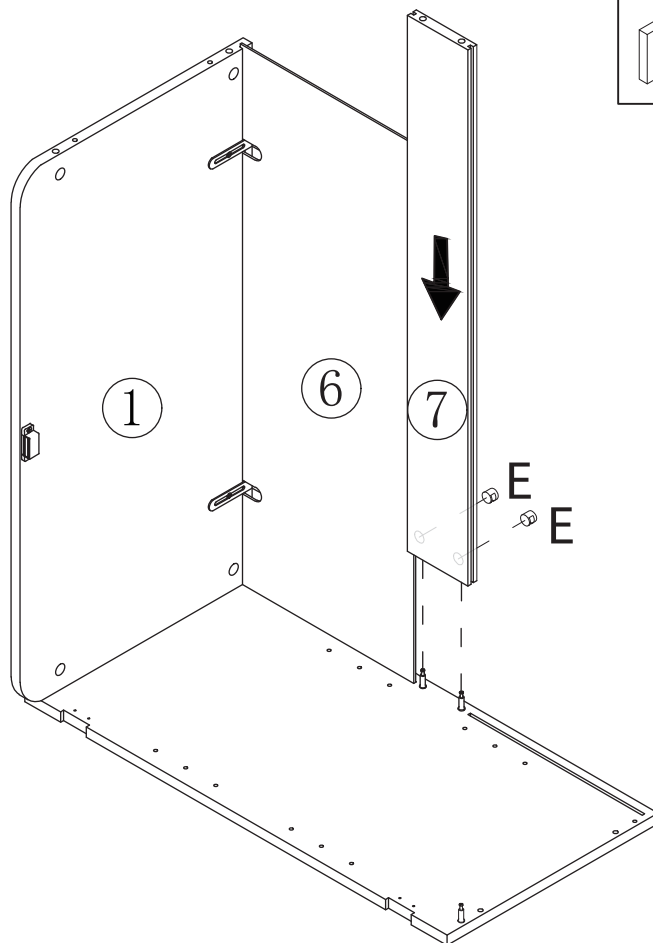
A		6PCS
---	---	------

3



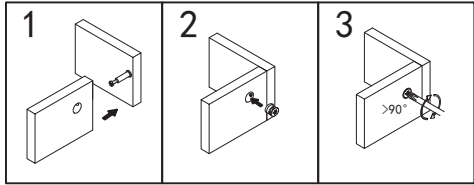
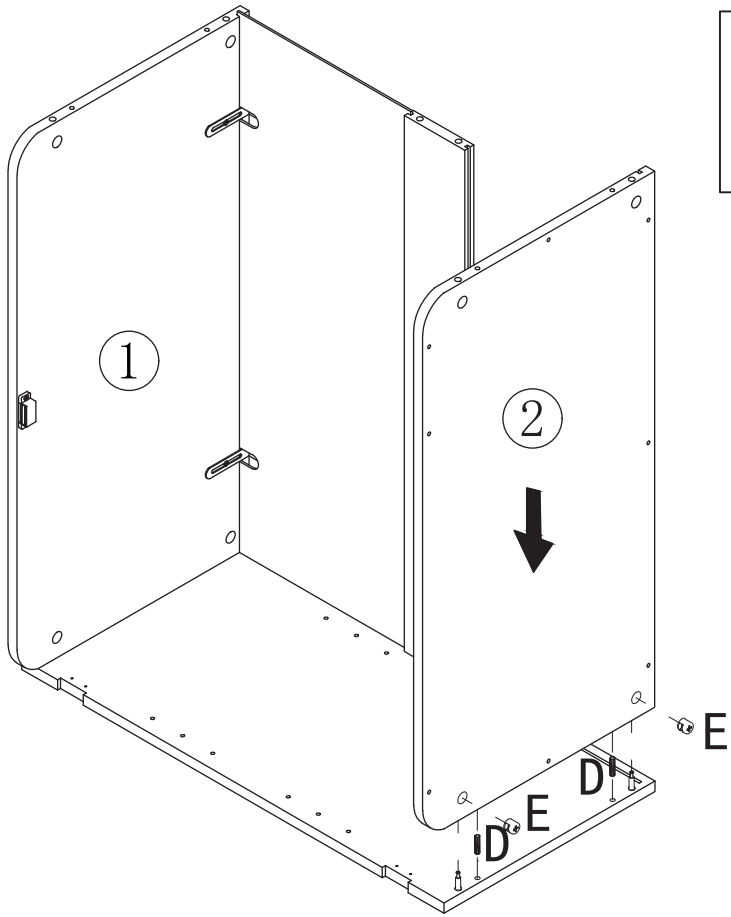
- D**  2PCS
- E**  2PCS

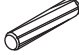

4



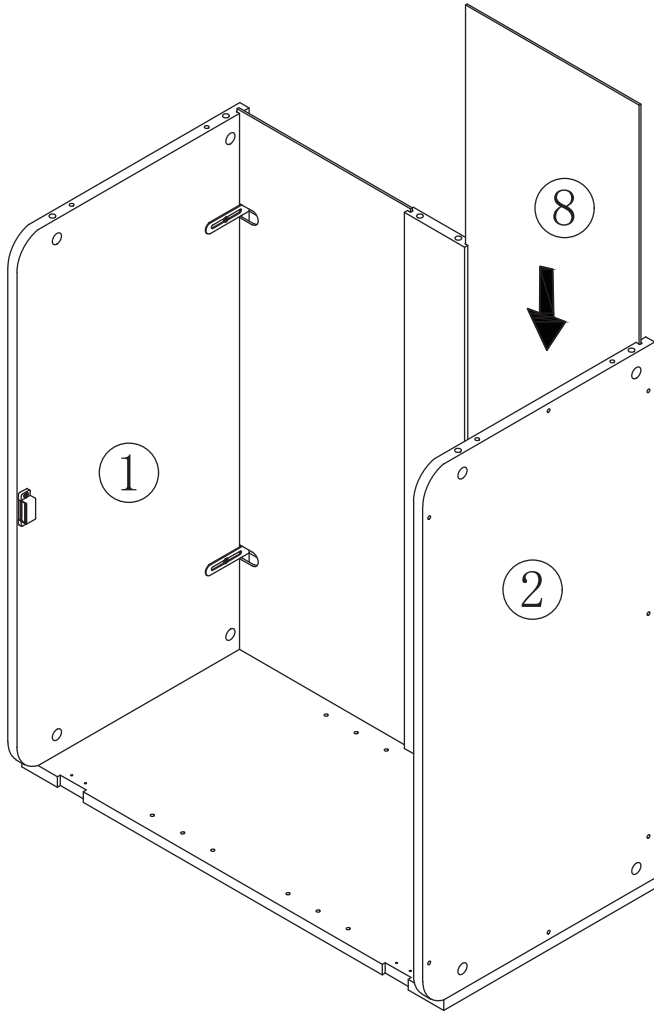
- E**  2PCS

5

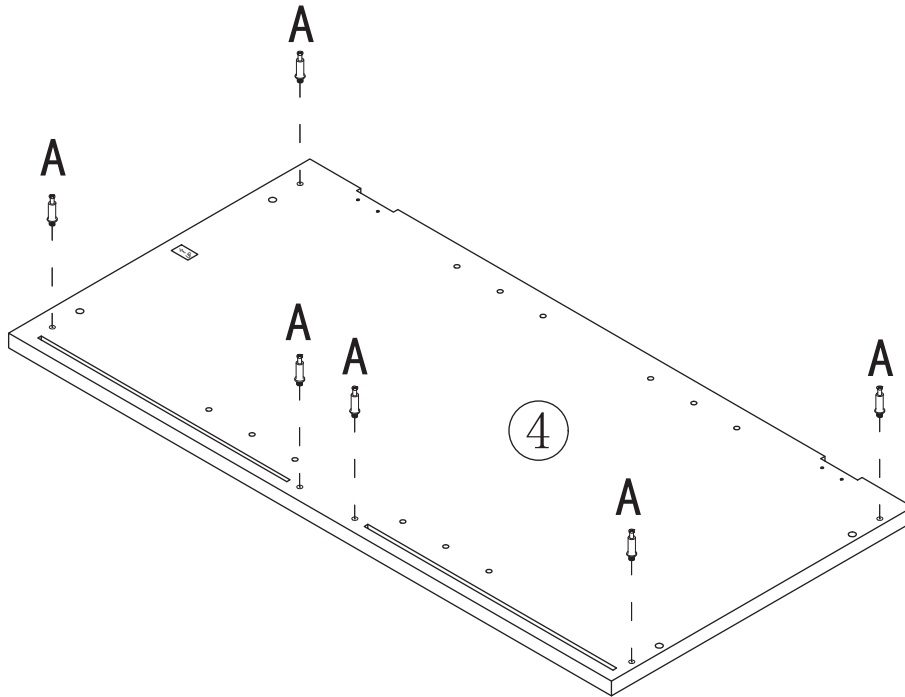


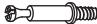
- |   |  |      |
|---|--|------|
| D |   | 2PCS |
| E |  | 2PCS |

6

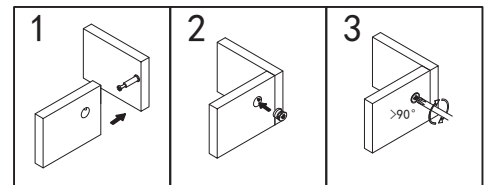
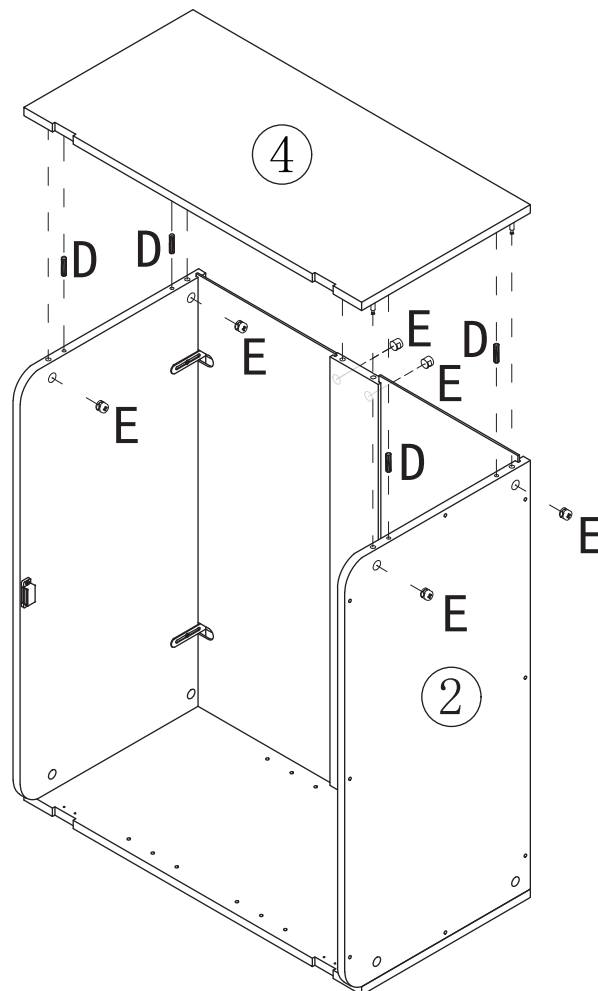


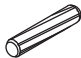

7



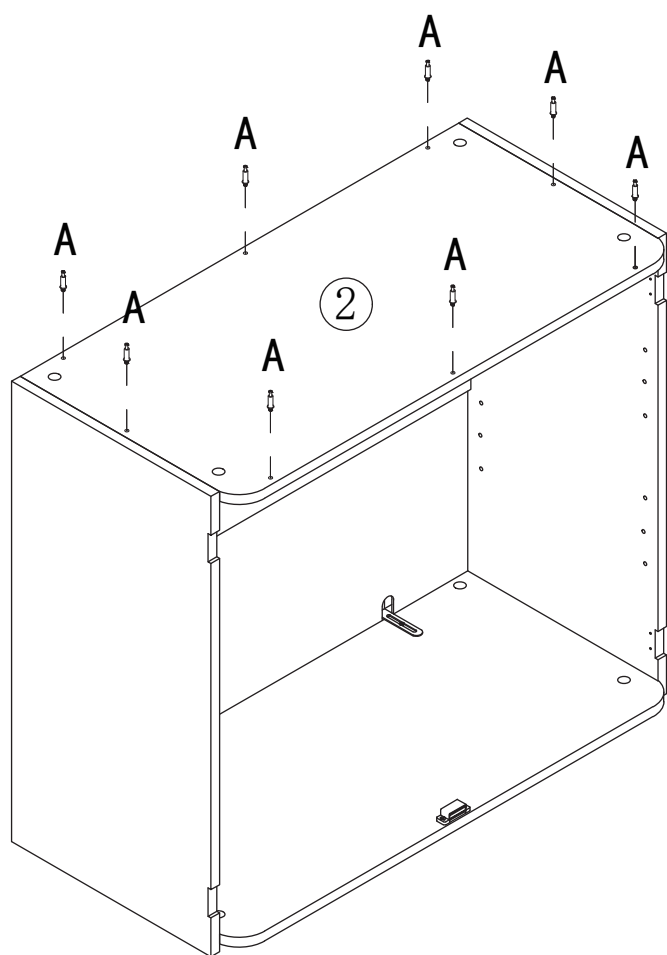
A		6PCS
---	--	------

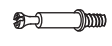
8



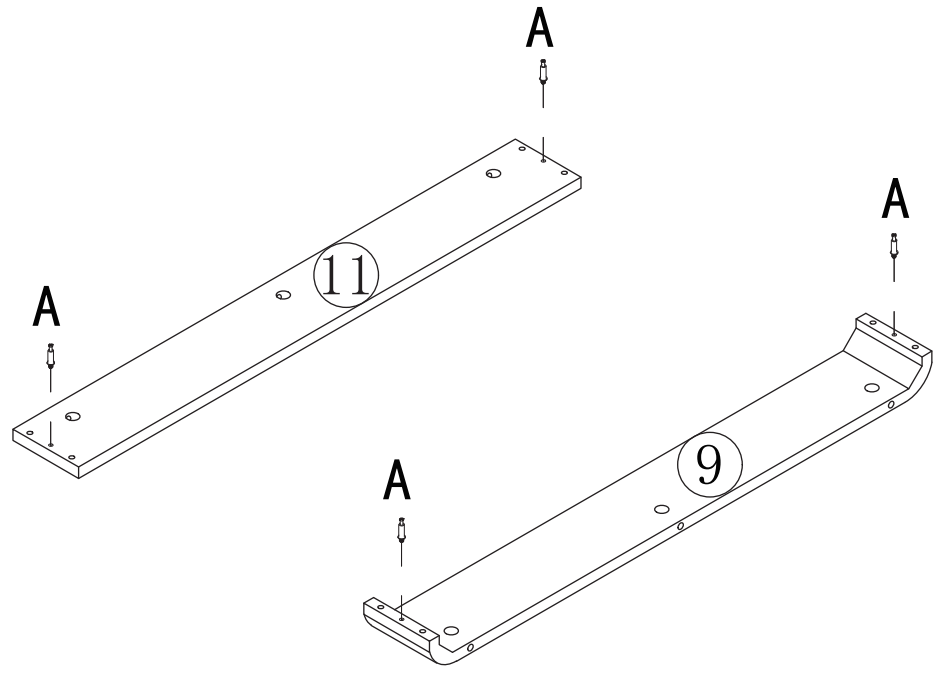
D		4PCS
E		6PCS

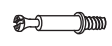
9



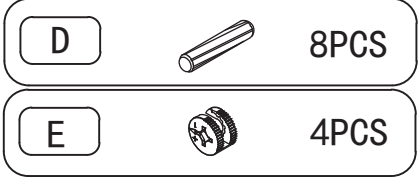
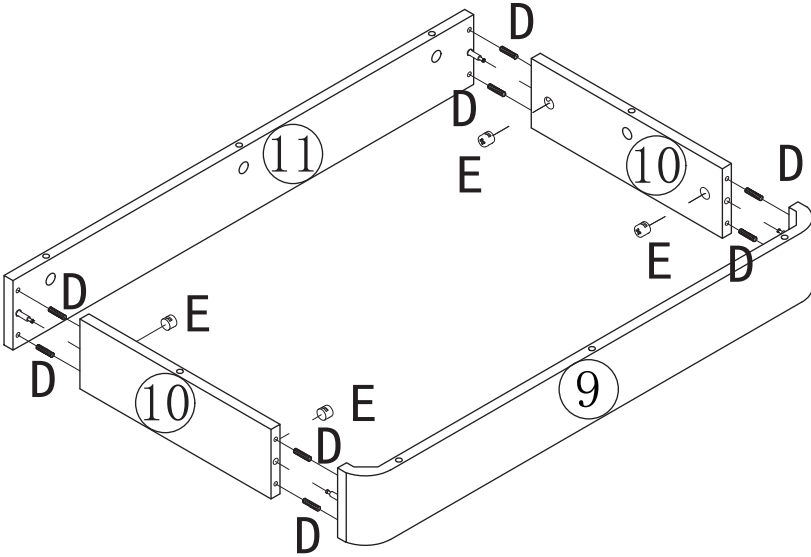
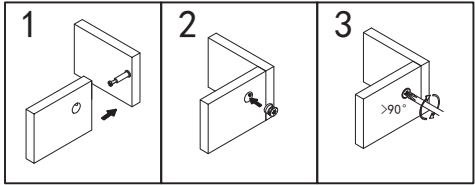
A  8PCS

10

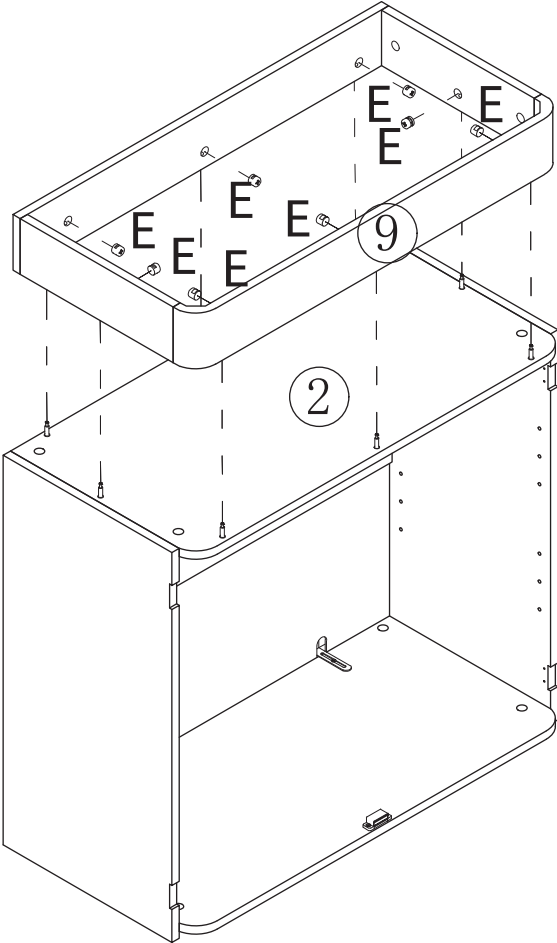
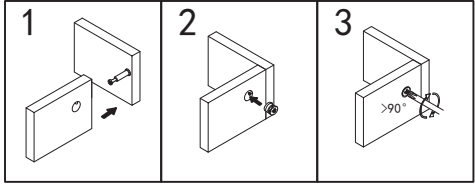


A  4PCS

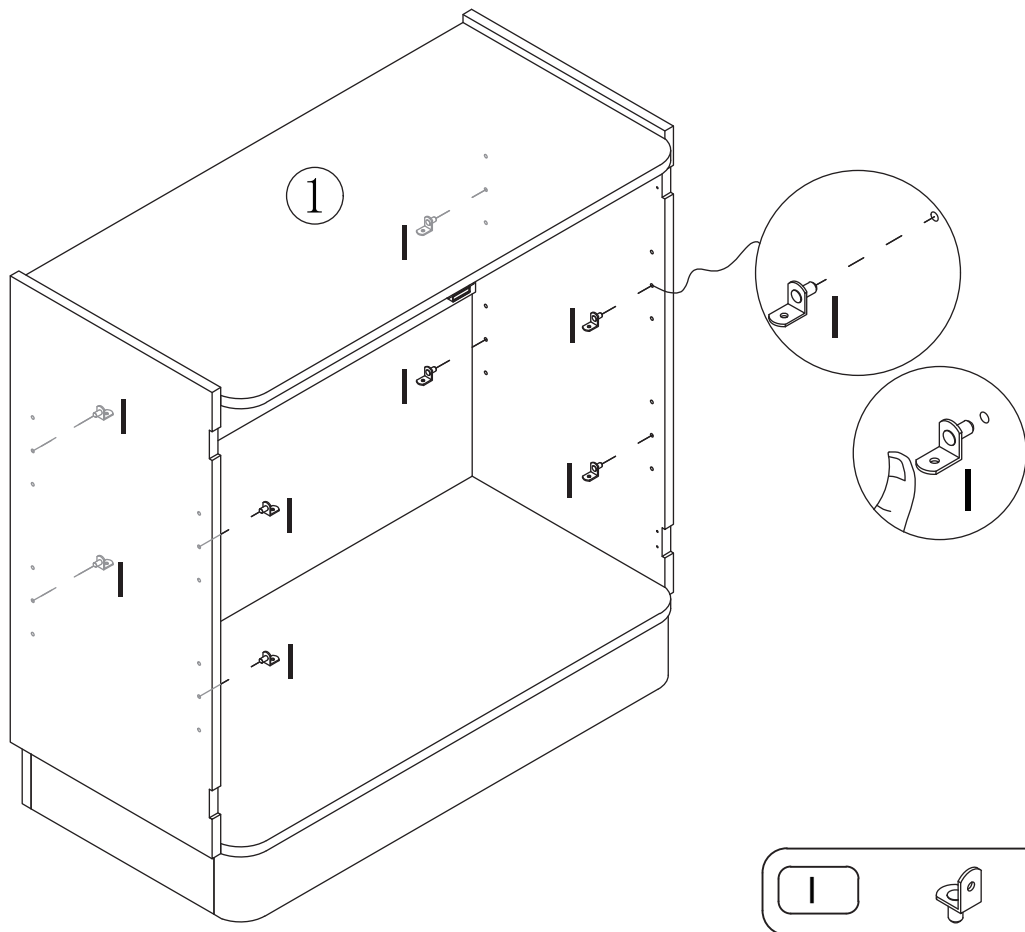
11



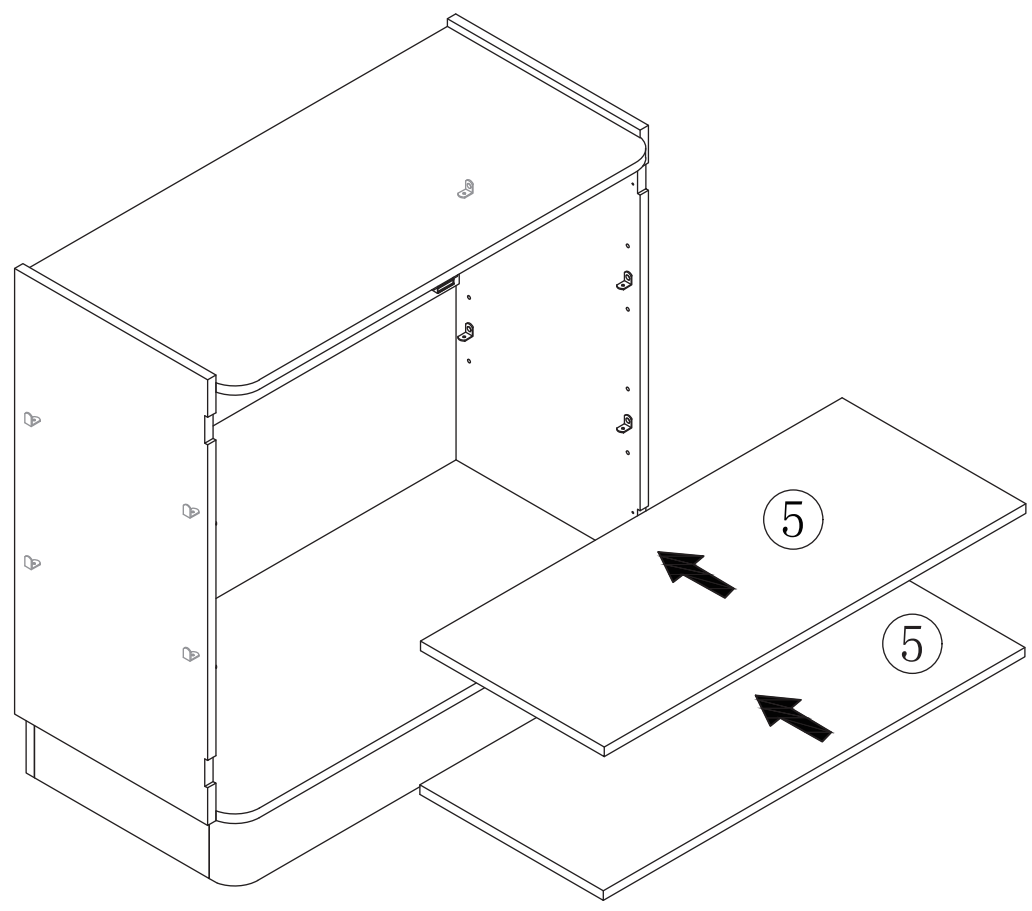
12



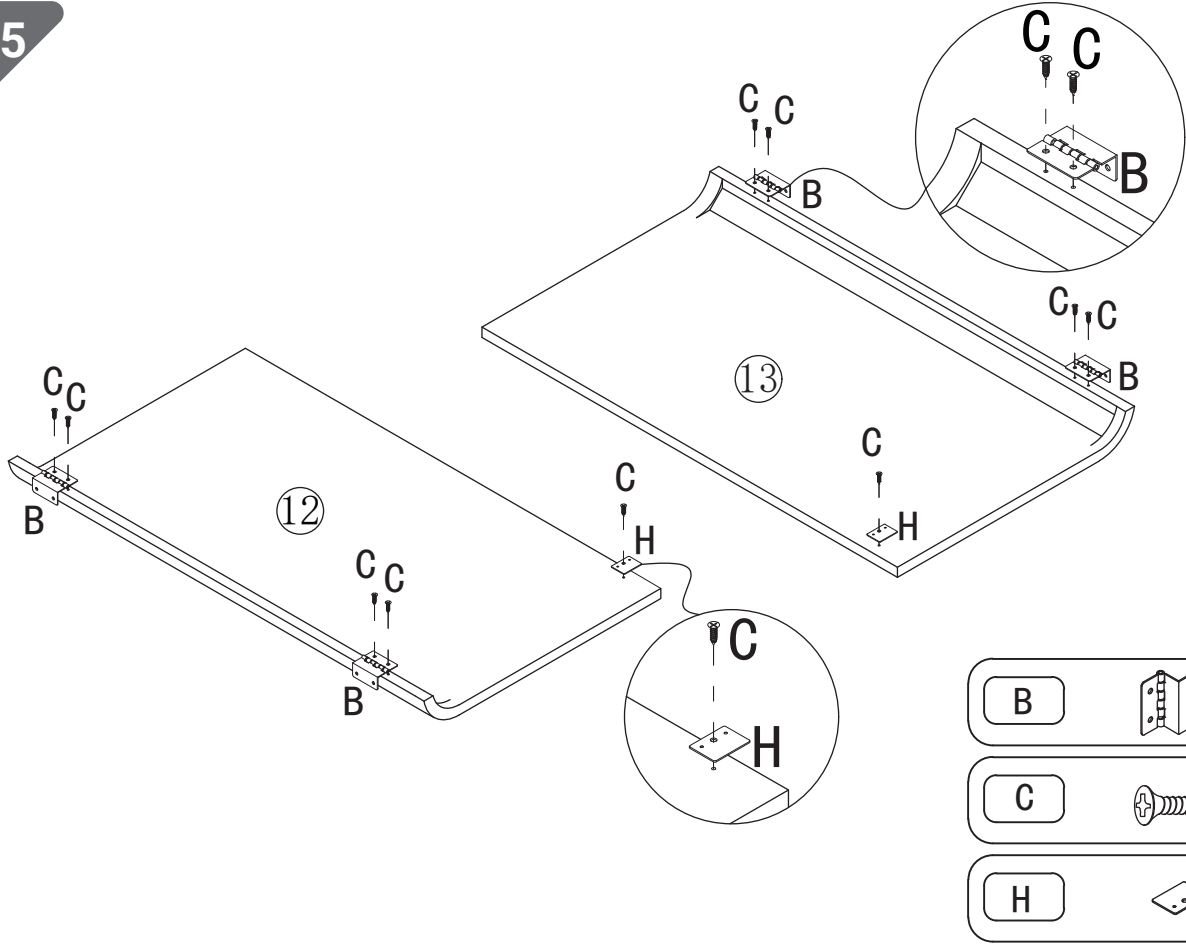
13



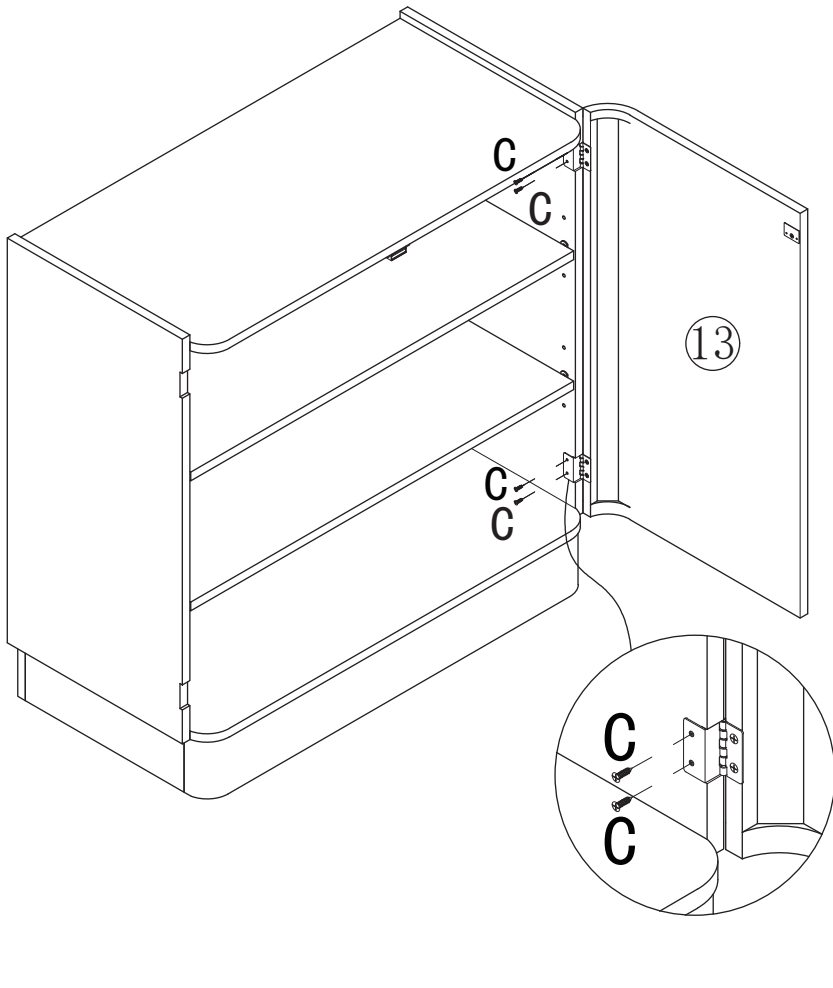
14



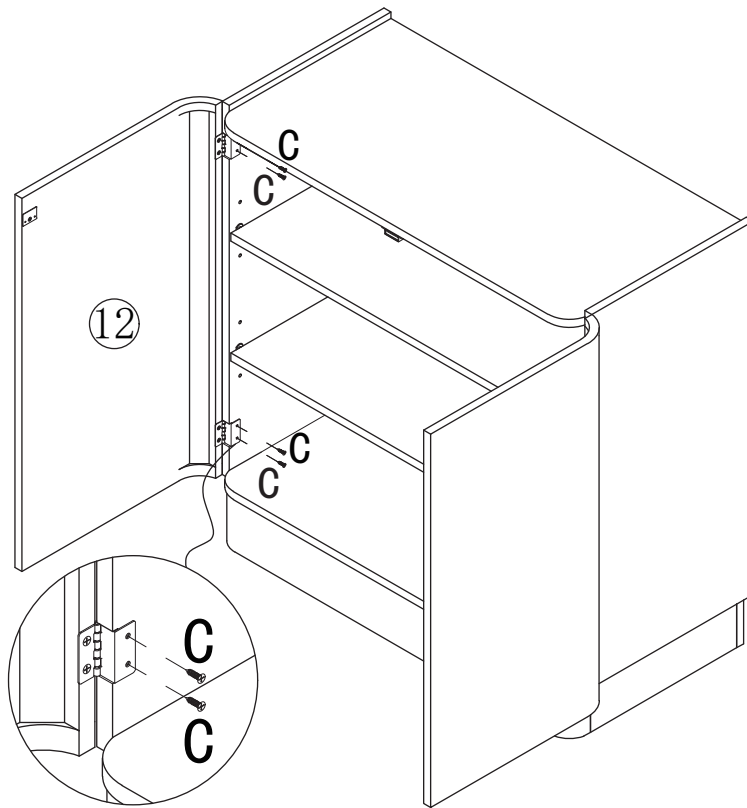
15



16



17



C

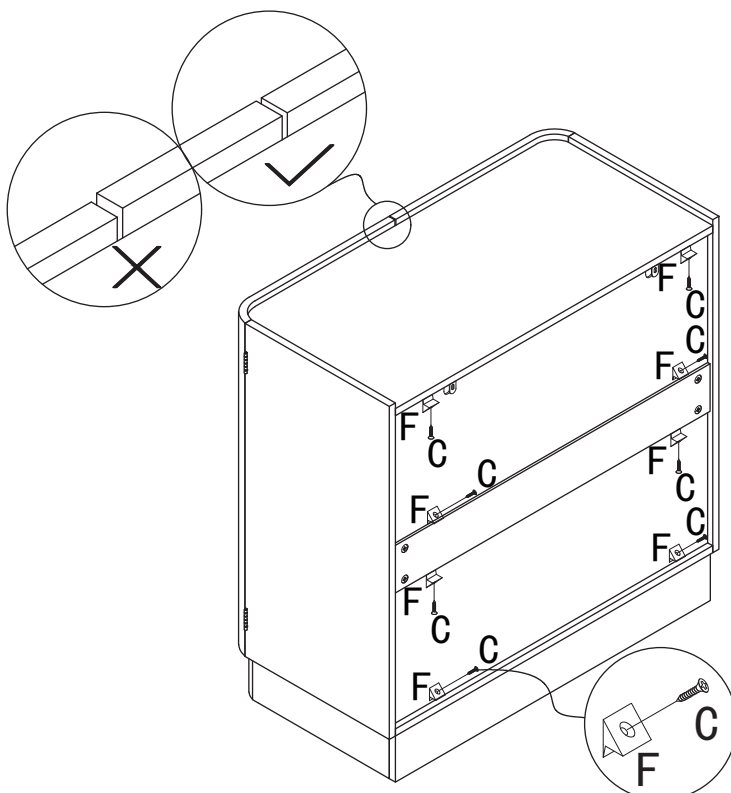


4PCS

18



- a. With the doors aligned, you can lock the back panel fasteners.  
 b. When the back panel buckle (F) has not yet been installed, the whole cabinet is swaying.  
 Please install the back panel buckle (F) as shown in the picture before use.



F



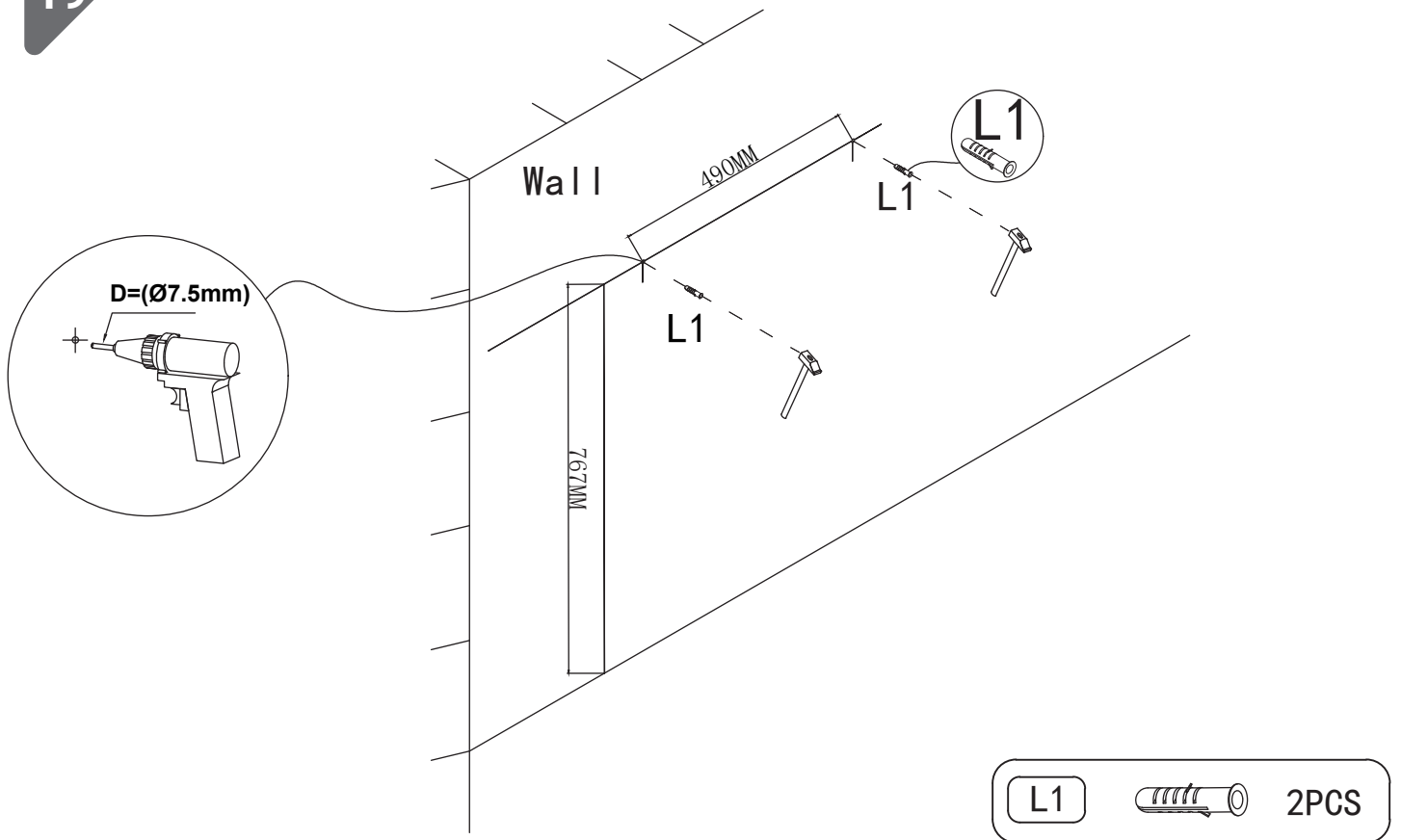
8PCS

C



8PCS

19



20



There is a risk of the cabinet tipping over if the anti-tip kit (L4) is not installed. Before use, install the anti-tip kit (L4) as shown in the illustration.

