


ASSEMBLY INSTRUCTIONS

STARK UPHOLSTERED QUEEN BED

ASSEMBLY REQUIREMENTS	2-Person Assembly	2 Hours Assembly Time (Approximate)	Tools Required (Not Provided)	 Phillips Screwdriver
--------------------------	----------------------	---	----------------------------------	--

Thank you for purchasing our product!

Please refer and use this assembly instruction to assemble the product.
Contact our customer service department in case there are any missing or damage parts or hardware.
Replacement parts are normally shipped within 2 or 3 days.

PRODUCTS PURCHASED THROUGH OUR AUTHORIZED VENDORS ONLY ARE ELIGIBLE

FOR REPLACEMENT PARTS

~~We appreciate your business!~~

THIS PRODUCT IS FOR INDOOR AND HOUSEHOLD USE ONLY - NOT FOR COMMERCIAL USE.

ASSEMBLY PREPARATION:

1. Remove all packaging materials, staples and packing straps from the carton.
2. Refer to Parts List and Hardware List. Ensure all the parts, hardware and quantities are correct before assembling the product. Contact customer service for missing parts.
3. Place all wooden parts on a clean, flat and soft surface (e.g. carpet or rug) to prevent parts from getting scratched.

SAFETY PRECAUTION:

1. KEEP ALL HARDWARE PARTS OUT OF REACH OF CHILDREN.
2. DISPOSE ANY PLASTIC PACKAGING MATERIAL IMMEDIATELY TO AVOID ANY RISK OF SUFFOCATION TO CHILDREN AND ANIMALS.

TIPS FOR ASSEMBLY:

1. Allow ample room for assembly and in close proximity to where product will be placed.
2. Assemble the product on a surface that does not scratch or damage the exterior gloss and finish of the furniture.
3. Identify all of the parts, hardware and quantities required for each step.
4. During assembly, do not over-tighten any fittings as this may cause damage.
5. DO NOT USE POWER TOOLS TO ASSEMBLE THIS PRODUCT.
6. Always place the product on a flat, level surface.
7. Do not sit or stand on the partially assembled product; only use the product for which it is intended.

CARE AND MAINTENANCE:

- Use a slightly damp cloth to clean the product. Do not use bleach or abrasive cleaning material.
- Check all the fittings periodically and re-tighten as necessary. Do not use the product if any of the parts is damaged or broken.
- Never allow any kind of liquid to remain on your furniture. Absorption can cause wood to warp or delaminate.
- Do not place hot items (e.g. hot drinks) directly onto the wood surface.
- Do not drag and pull your furniture.

ASSEMBLY INSTRUCTIONS

STARK UPHOLSTERED QUEEN BED

PARTS LIST

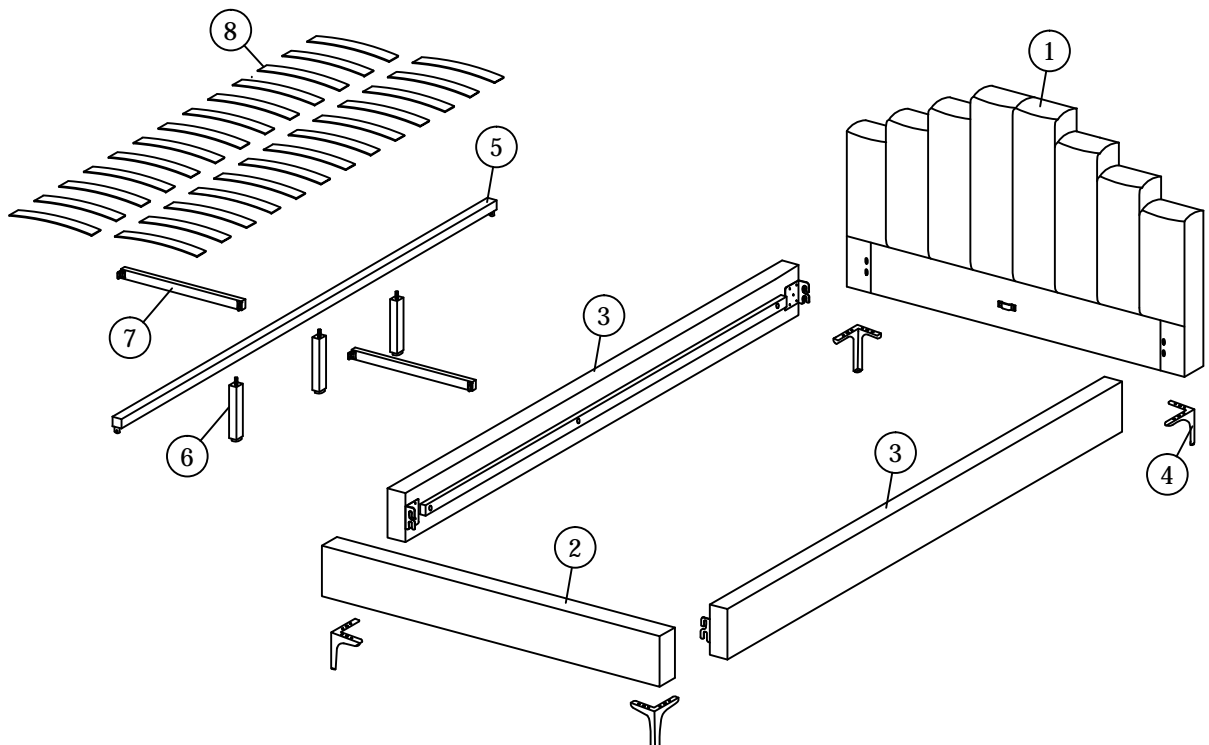
NO	PART NAME	QTY
1	HEADBOARD	1
2	FOOTBOARD	1
3	SIDEBORD (LEFT/RIGHT)	2
4	BED LEG	4
5	CENTER RAIL	1
6	CENTER SUPPORT LEG	3
7	CENTER SUPPORT	2
8	BED SLAT	26

HARDWARE LIST

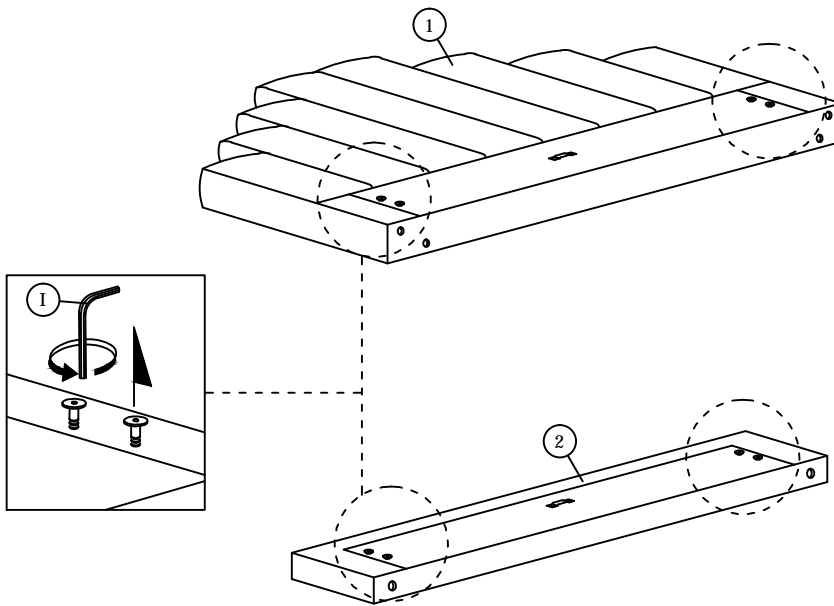
NO	DESCRIPTION	QTY	EXTRA
A	 JCBC BOLT M6 x 20mm	8	1
B	 M6 FLAT WASHER	8	1
C	 M6 SPRING WASHER	8	1
D	 WOOD SCREW M3.5 x 16mm	8	1
E	 WOOD SCREW M4 x 20mm	2	1
F	 BED SLAT SIDE FITTER	26	-
G	 BED SLAT CENTER FITTER	13	-
H	 M4 ALLEN KEY (BALL SHAPE)	1	-
I	 M5 ALLEN KEY (BALL SHAPE)	1	-

*EXTRA HARDWARE FOR SPARE USE.

PARTS LIST - ASSEMBLY OVERVIEW



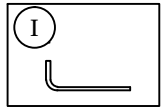
1



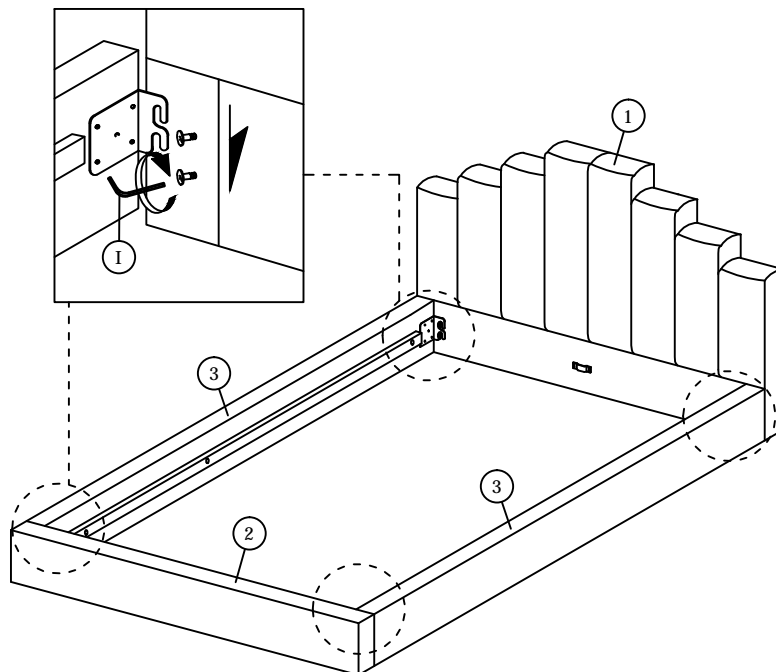
a) With assistance, lay Headboard (1) and Footboard (2) flat on a material that does not scratch or damage the part.

b) Locate the screws on (1) and (2) as shown.

c) Use Allen Key (I) to turn the screws anti-clockwise to reverse the screw (out and upwards).

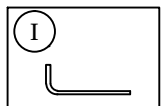


2

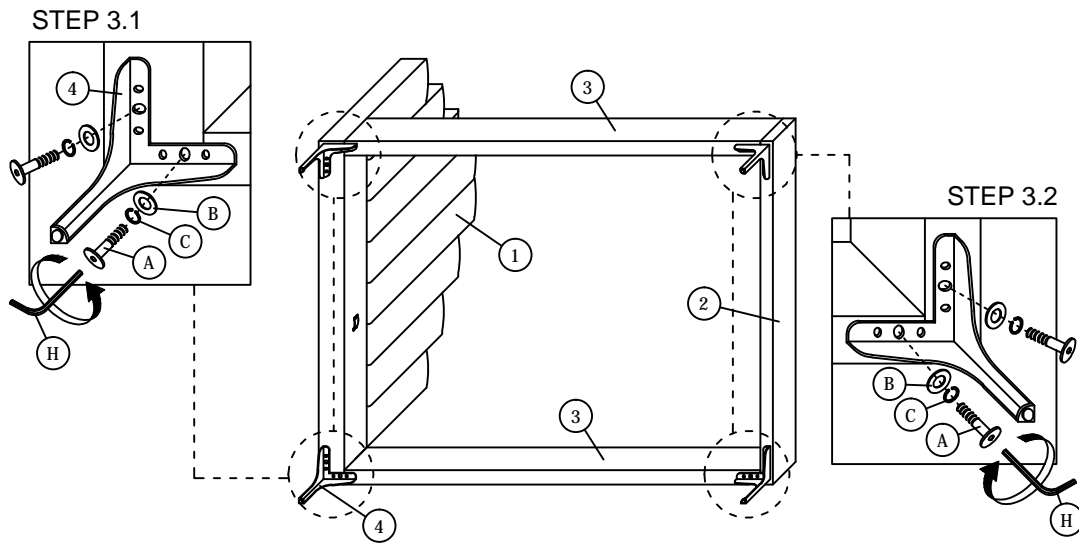


a) With assistance, attach Left & Right Sideboard (3) to Headboard (1) by using the hook plate on (3) to hook onto the screws on. Next, use the same procedure to attach (3) to Footboard (2).

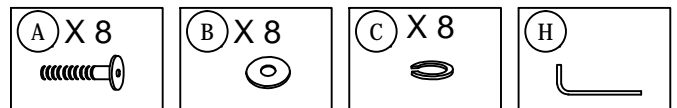
b) Use Allen Key (I) to drive the screws clockwise to tighten the screw and secure the parts.



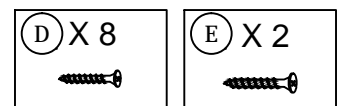
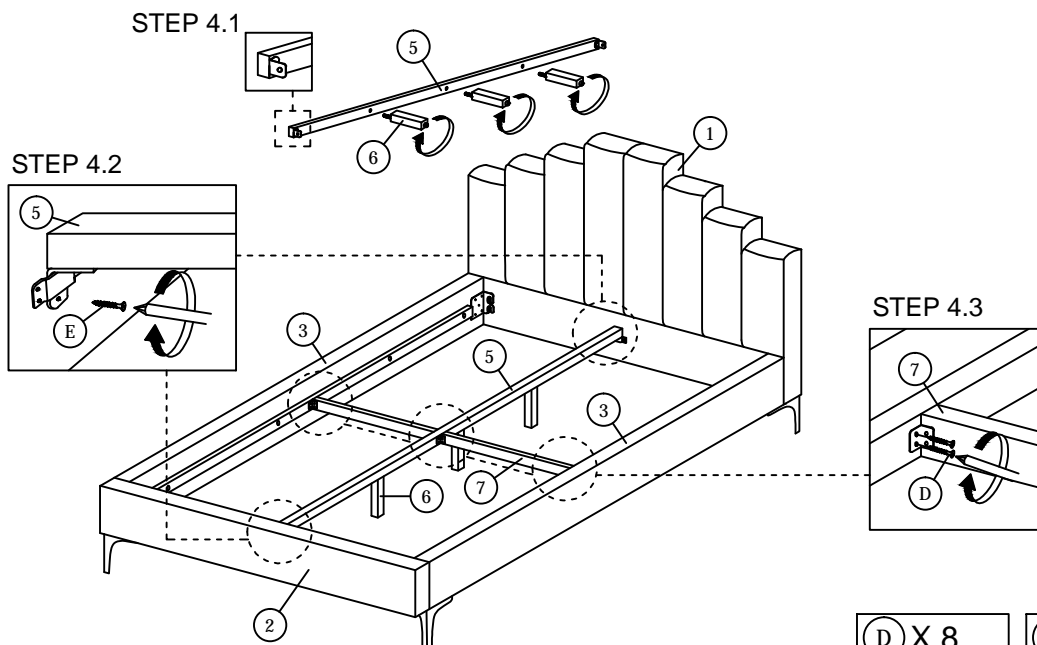
3



With assistance, lay assembly from STEP 2 on its side as shown. Use Bolt (A) fitted with Spring Washer (C) and Flat Washer (B) to fasten the respective Leg (4) to Headboard (1), Footboard (2) and Sideboard (3). Use Allen Key (H) to drive (A). Do not tighten (A) completely until both bolts are in place on each leg.



4



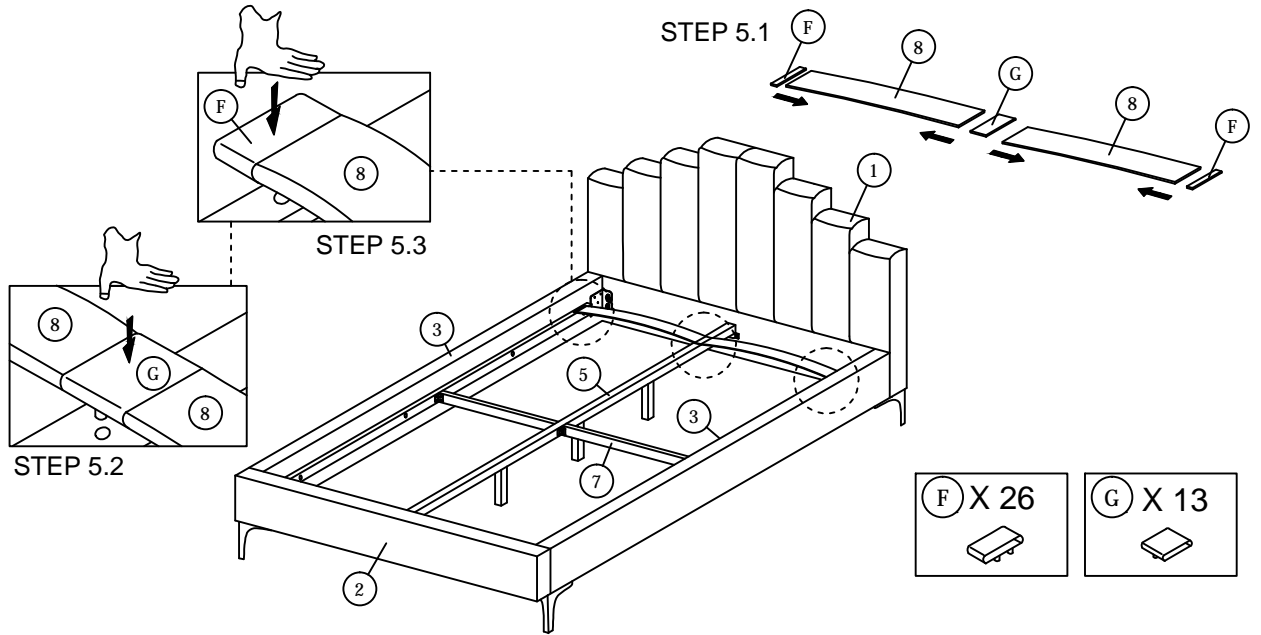
With assistance, lay assembly from STEP 3 as shown.

STEP 4.1 – Screw on Center Support Leg (6) to Center Rail (5).

STEP 4.2 – Attach Center Rail (5) to Headboard (1) and Footboard (2) as shown and use Screw (E) to fasten (5) to (1) & (2).

STEP 4.3 – Use Screw (D) to fasten Center Support (7) to Center Rail (5) and Left & Right Sideboard (3).

5

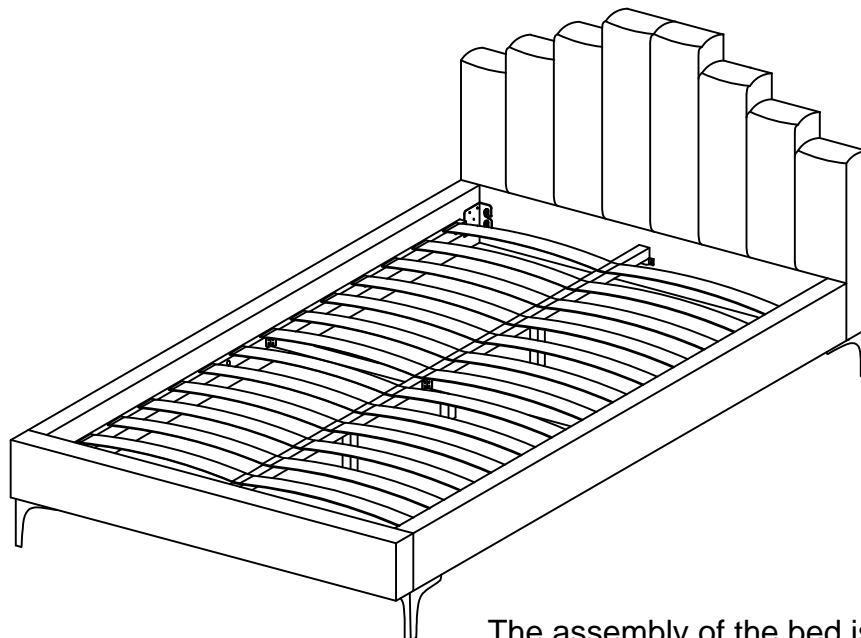


STEP 5.1 – Use Slat Center Fitter (G) to connect 2x Slat (8) and attach Slat Side Fitter (F) at each end of (8).

STEP 5.2 – Firmly press down (G) to fit the studs on (G) into the designated holes on Center Rail (5).

STEP 5.3 – Firmly press down (F) to fit the studs on (F) into the designated holes on the rail of Left & Right Sideboard (3).

6



The assembly of the bed is complete..

IMPORTANT NOTE: Whenever the bed has been moved or repositioned, ensure the center support legs are straightened and standing vertically before using the bed. Failure to do so can cause serious damage to the bed.