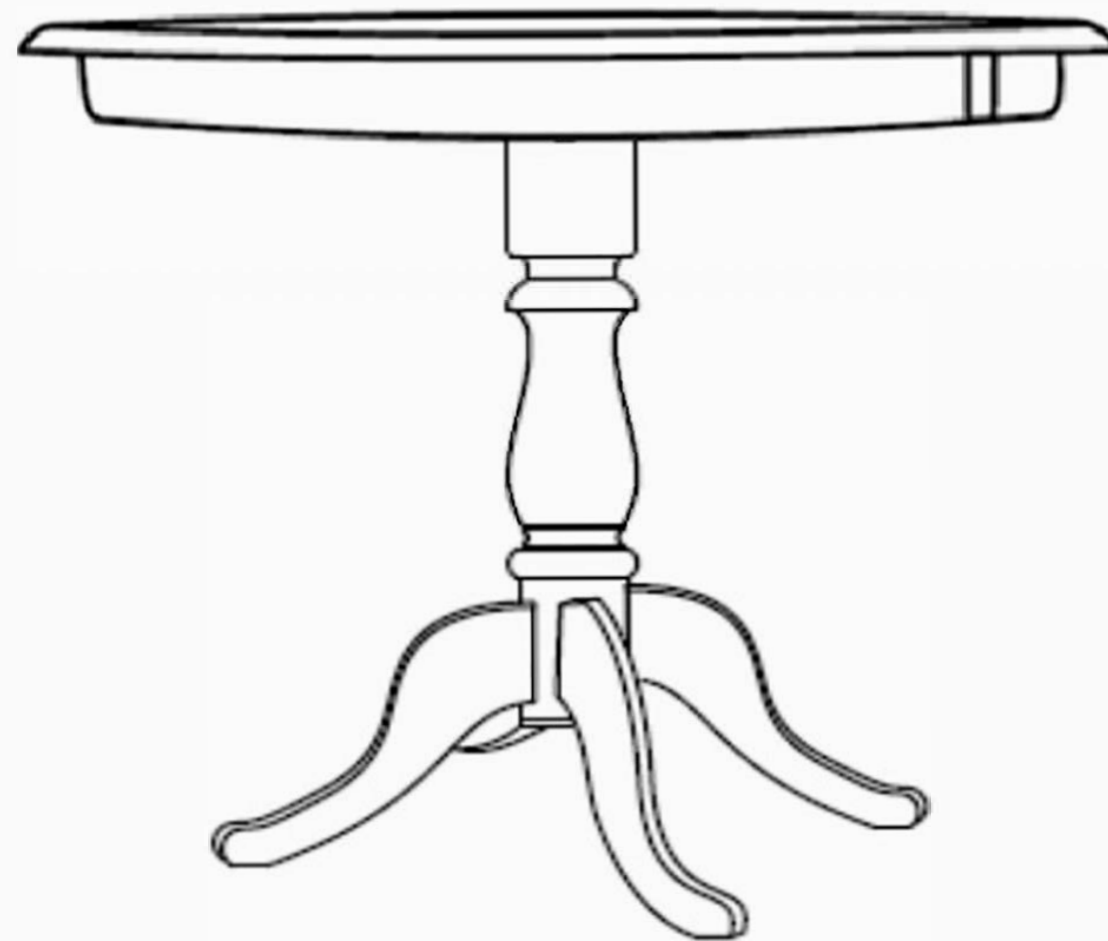
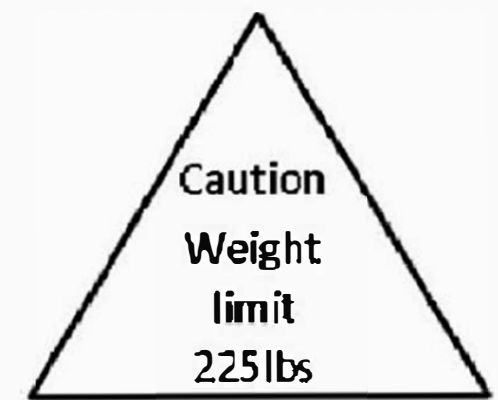
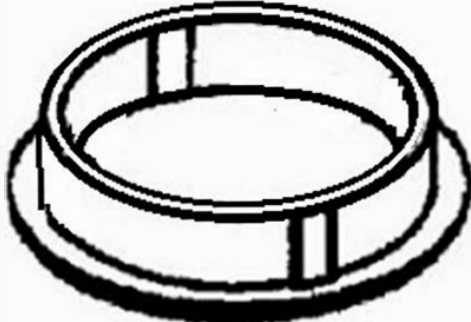

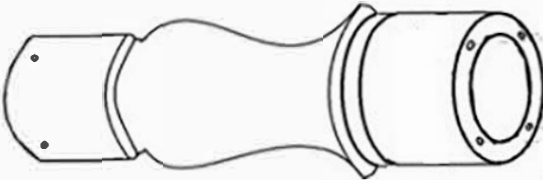
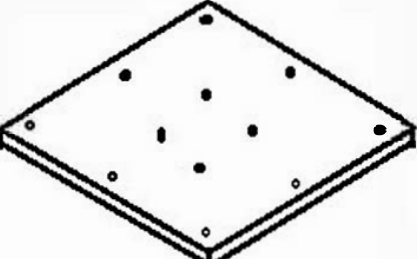


Assembly Instructions


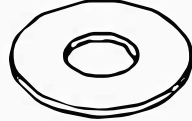






Bar Table (30" x 30" x 30")



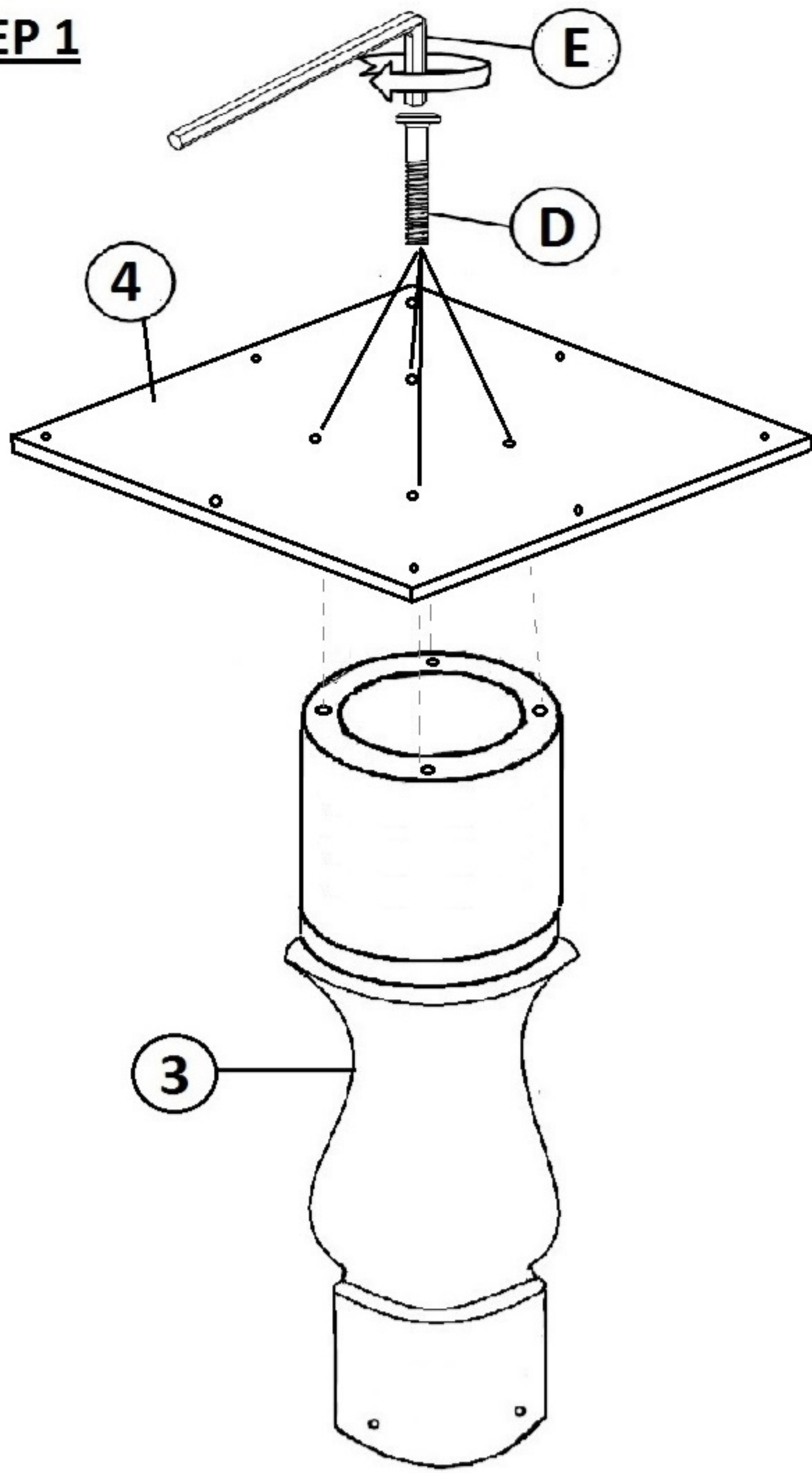
PARTS LIST:

- | | | |
|-------------------|---|-------|
| ① Bar top |  | 1 PC |
| ② Leg |  | 4 PCS |
| ③ Pedestal |  | 1 PC |
| ④ Bar top support |  | 1 PC |

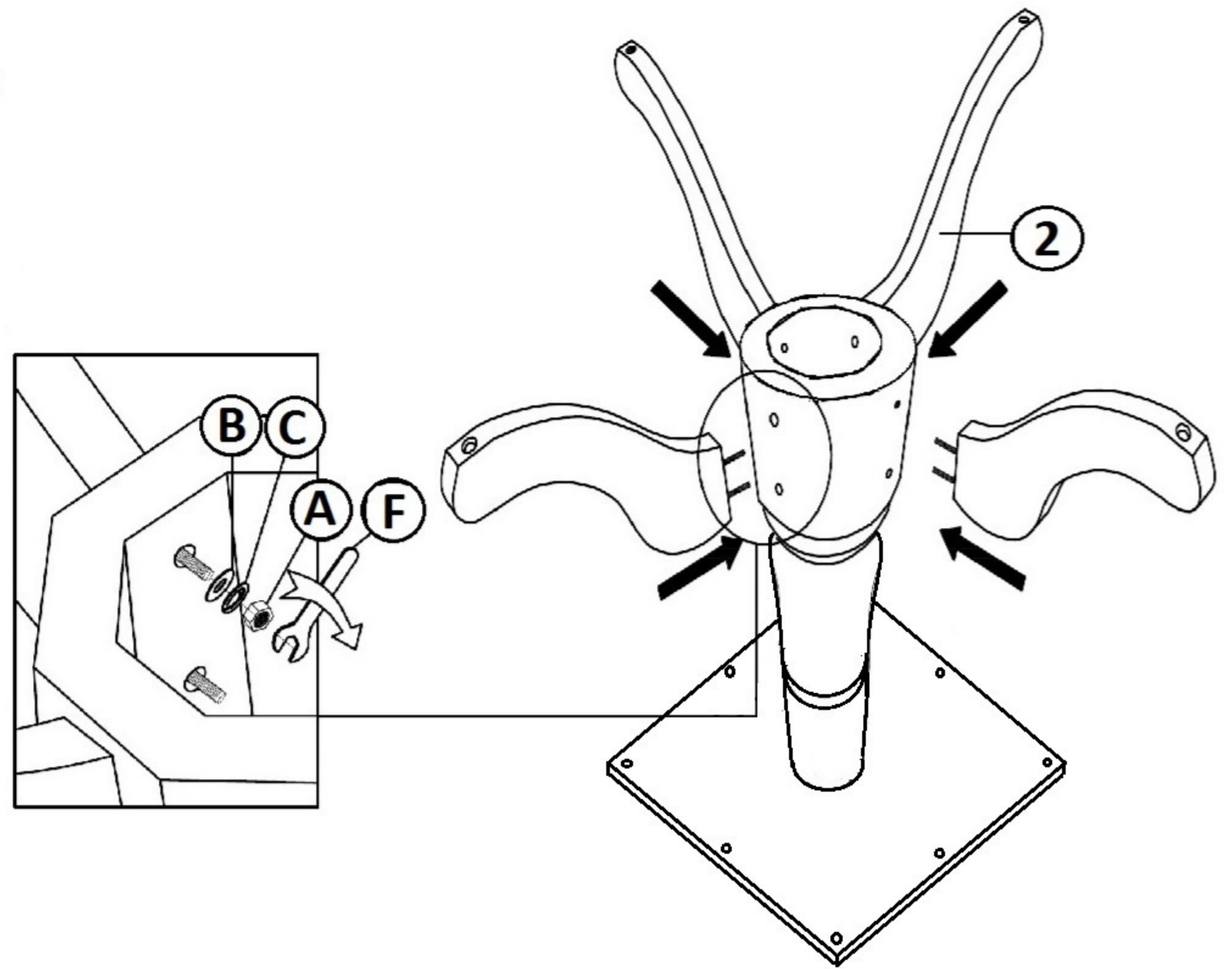
HARDWARE LIST:

- | | | |
|----------------------|---|-------|
| (A) Hex Nut |  | 4 PCS |
| (B) Flat Washer |  | 4 PCS |
| (C) Spring Washer |  | 4 PCS |
| (D) JCBC Bolt |  | 4 PCS |
| (E) Allen Key |  | 1 PC |
| (F) Wrench |  | 1 PC |
| (G) Chipboard Screw |  | 8 PCS |
| (H) Adjustable Glide |  | 4 PCS |

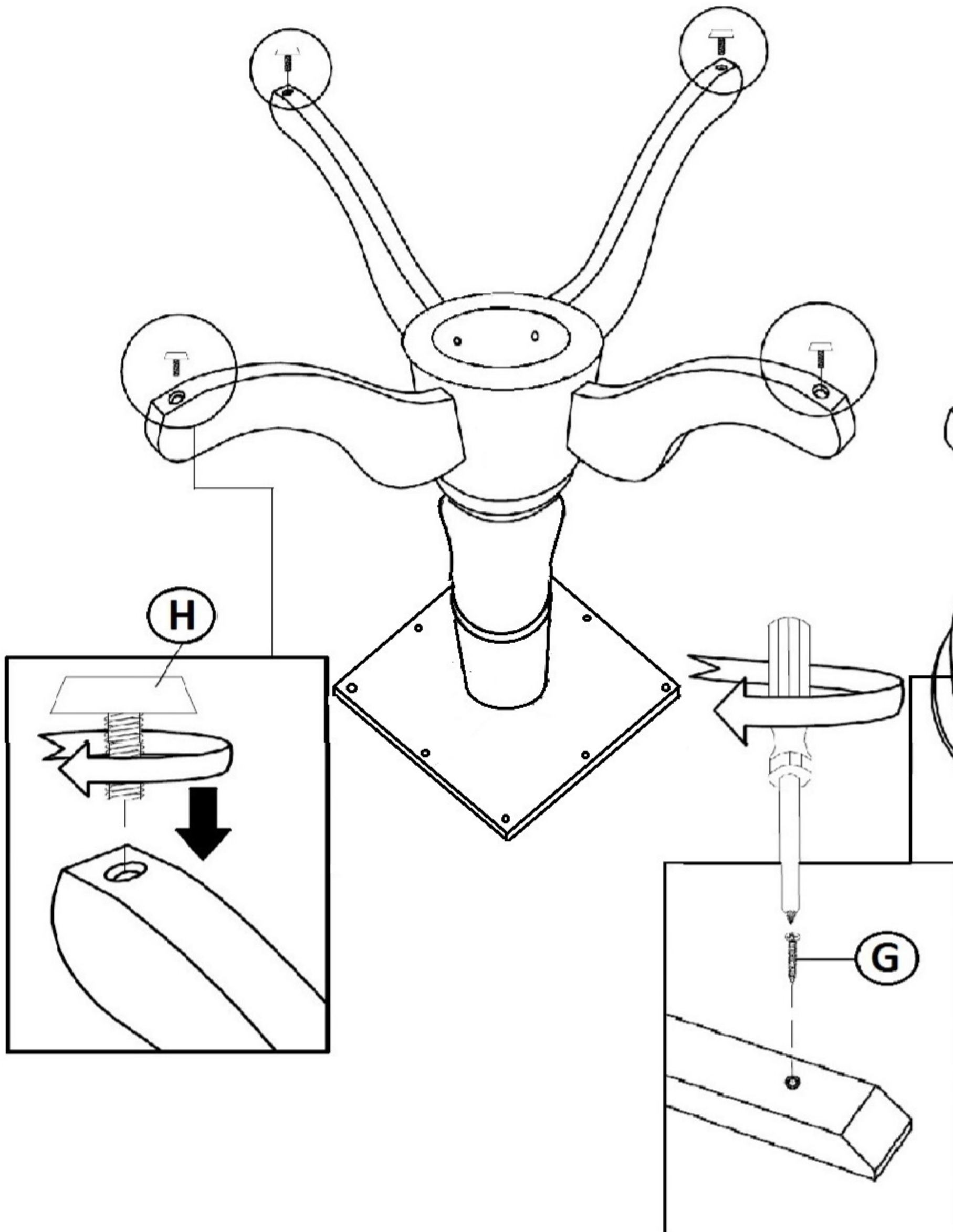
STEP 1



STEP 2



STEP 3



STEP 4

