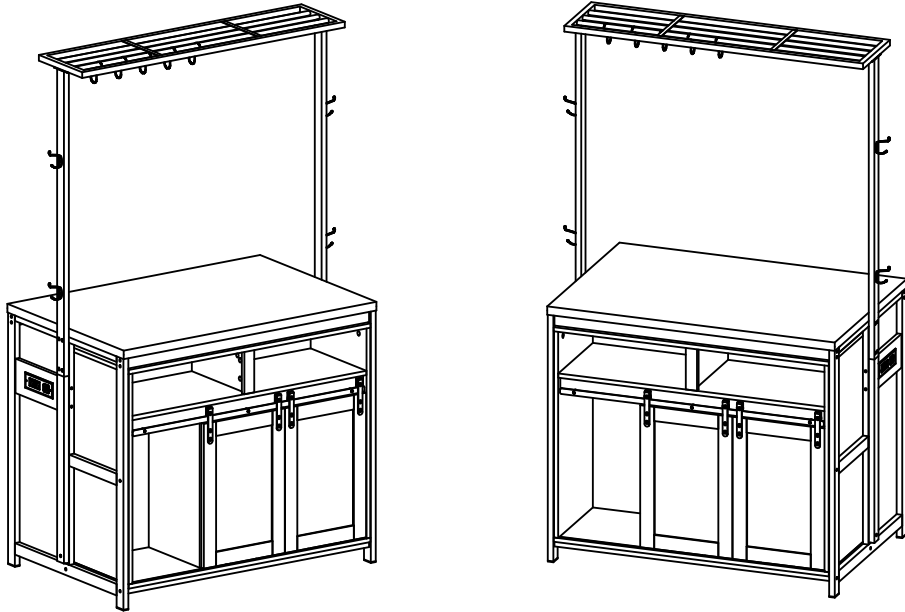


SKU: PHO_14UXVZZ9

Assembly Instruction



Model:



Trouble shooting:

Missing / Wrong / Broken parts and installation issues



Send email with your question pic, order NO. and screenshot of order details to:

support@idealhouse.vip



Respond within 24 hours



Issue resolved

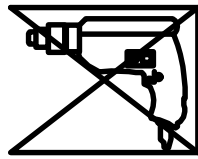
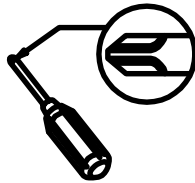
Tips!



1. Check all the components & screws are intact before assembling .
 2. If you notice any pieces are missing or damaged please do not assemble and contact us immediately .
 3. **Please send an email with you order number and issues,we will respond within 24 hours.**
- Customer Service Team: support@idealhouse.vip**

Tools required

A Phillips head screw driver is required for the assembly of this product. (not included)
Electric tool should not be used to assemble this product.



Two people are needed



IMPORTANT SAFETY INFORMATION

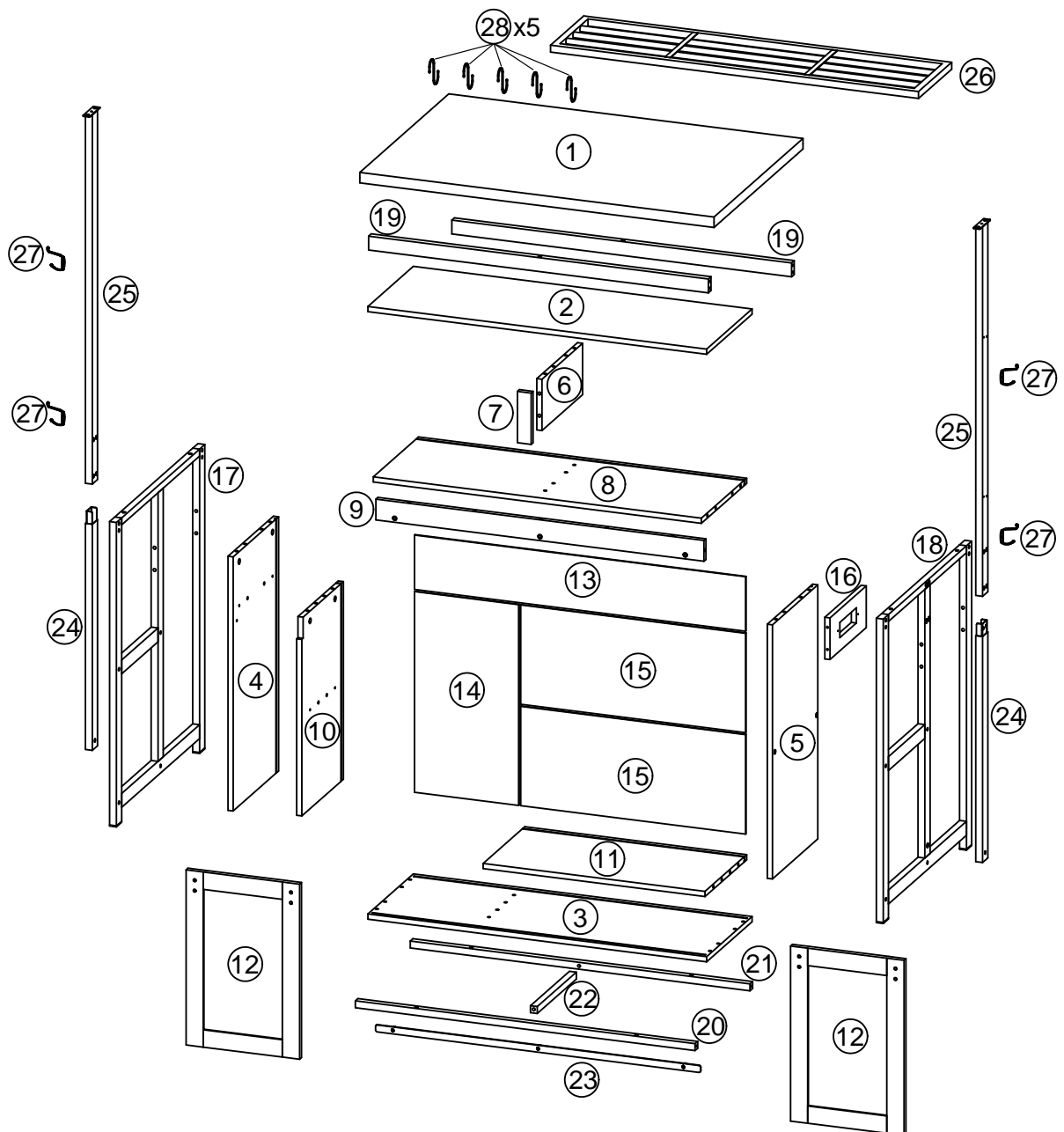
- Please carefully read the following instructions and caution warnings before assembling the product.
- Following this guide will ensure that you install, use and maintain the product properly.
- Please keep this installation and user manual/instructions for future reference in case you need to disassemble the product.
- Never allow children to climb onto the product. Ensure that you have special safety measures when children are around on their own.
- Be sure to check that all parts of the product are intact after you open the package.
- Do not assemble if you notice serious damage such as cracks or bends.
- During installation, please use work gloves for hand safety.
- Please assemble the unit on carpeted floor or the flat cardboard box to avoid scratching the surface or your floor while assembling on the floor.
- To assemble, please use the complimentary installation tools (Phillips screwdriver). Pay more attention to the direction of components at each steps.
- It is recommended that two people work together to assemble the product.

RETURN POLICY

- Please contact us directly within 30 days after receiving.
- Ensure the product is in a good condition with the original box and all original certificates of purchase, manuals, and accessories attached.

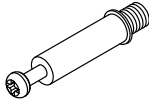

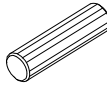
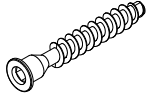
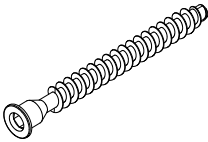
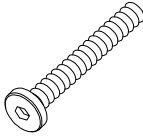
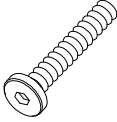
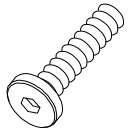

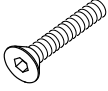

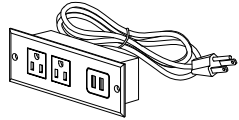

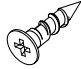
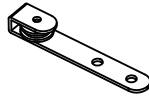


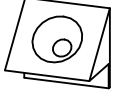
COMPONENTS ID Nr.

Part Nr.	Qty	Part Nr.	Qty	Part Nr.	Qty	Part Nr.	Qty
1	1pc	8	1pc	15	2pcs	22	1pc
2	1pc	9	1pc	16	1pc	23	1pc
3	1pc	10	1pc	17	1pc	24	2pcs
4	1pc	11	1pc	18	1pc	25	2pcs
5	1pc	12	2pcs	19	2pcs	26	1pc
6	1pc	13	1pc	20	1pc	27	4pcs
7	1pc	14	1pc	21	1pc	28	5pcs



Note: Don't tighten all screws during installation.

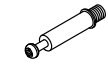
HARDWARE LIST

<p>(A) x23</p>  <p>Ø6.3×35mm</p>	<p>(B) x23</p>  <p>Ø15×12mm</p>	<p>(C) x26</p>  <p>Ø8×30mm</p>	<p>(D) x8</p>  <p>7×48mm</p>
<p>(E) x4</p>  <p>7×60mm</p>	<p>(F) x2</p>  <p>M6×50mm</p>	<p>(G) x13</p>  <p>M6×40mm</p>	<p>(H) x20</p>  <p>M6×30mm</p>
<p>(J) x12</p>  <p>M6x12mm</p>	<p>(K) x2</p>  <p>M6x30mm</p>	<p>(L) x3</p>  <p>M6x25mm</p>	<p>(M) x1</p> 
<p>(N) x1</p> 	<p>(P) x34</p>  <p>3.5x14mm</p>	<p>(Q) x4</p> 	<p>(R) x4</p> 
<p>(S) x1</p>  <p>4mm</p>	<p>(T) x8</p> 		

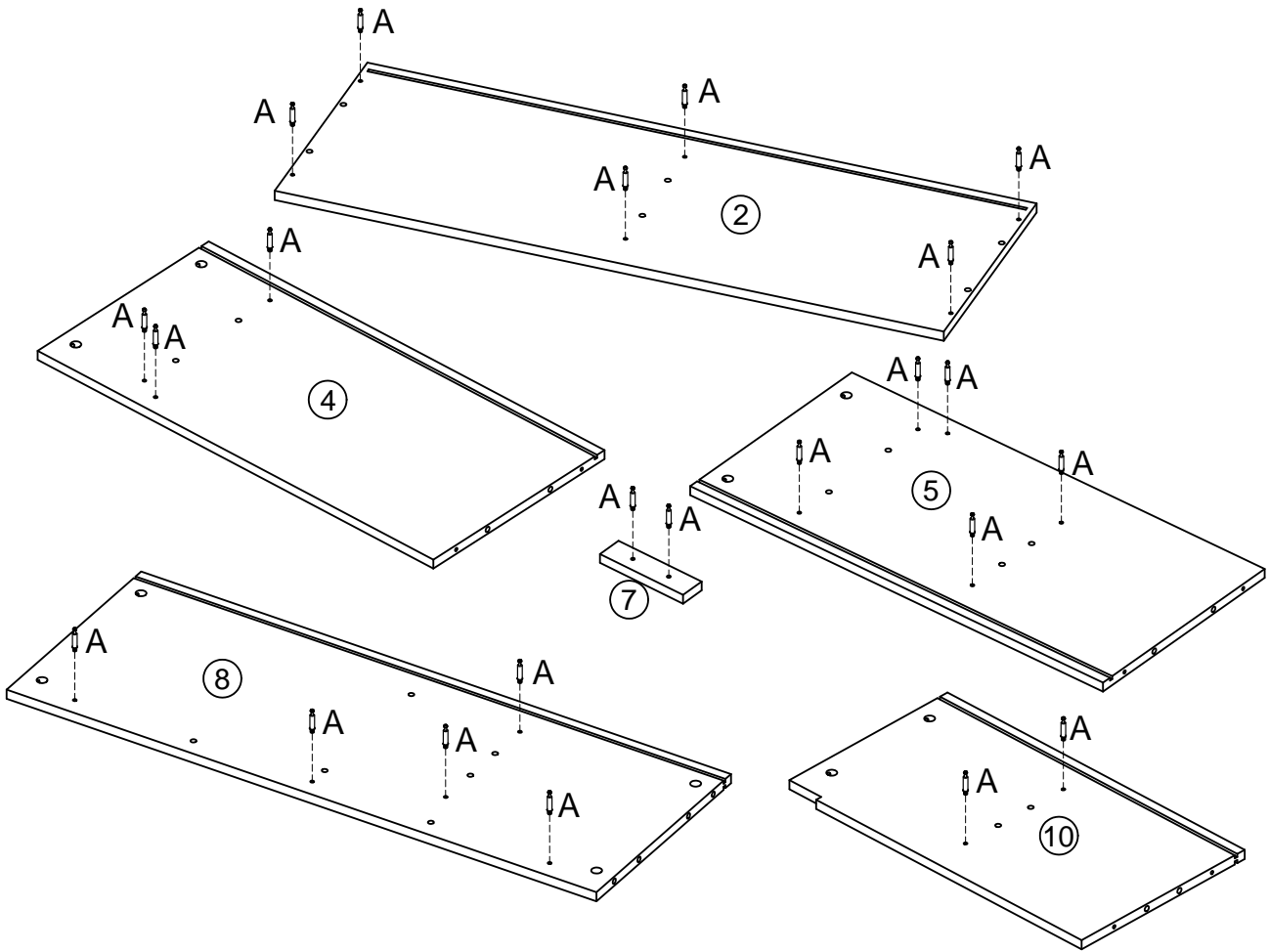
PRODUCT ASSEMBLY

1

(A) x23



Ø6.3×35mm



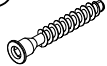
2

(C) x2



Ø8×30mm

(D) x2

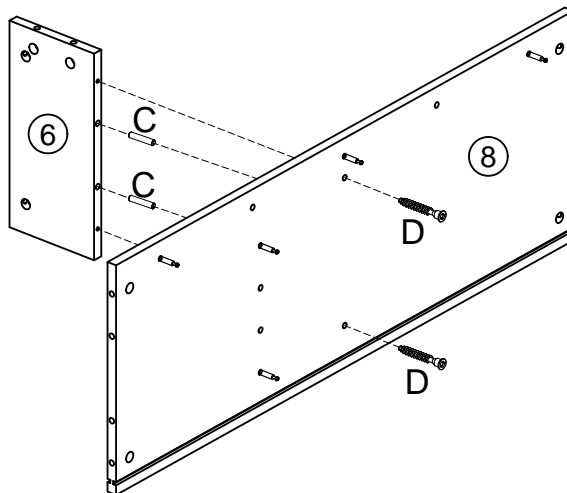


7×48mm

(S) x1



4mm



PRODUCT ASSEMBLY

3

(B) x3

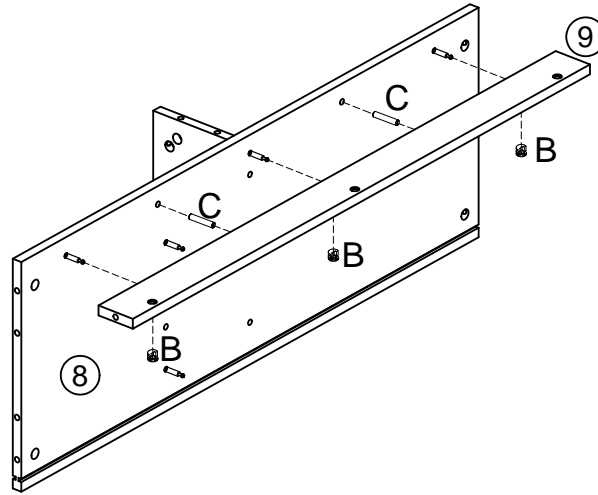


Ø15×12mm

(C) x2



Ø8×30mm



4

(B) x2

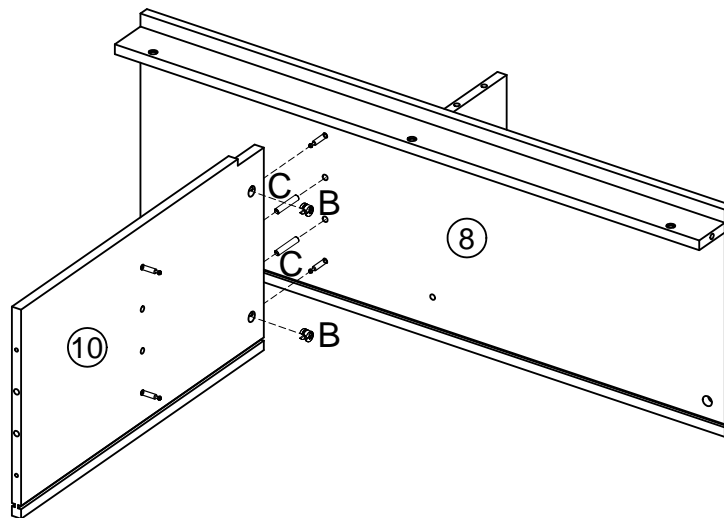


Ø15×12mm

(C) x2



Ø8×30mm



PRODUCT ASSEMBLY

5

(B) x5

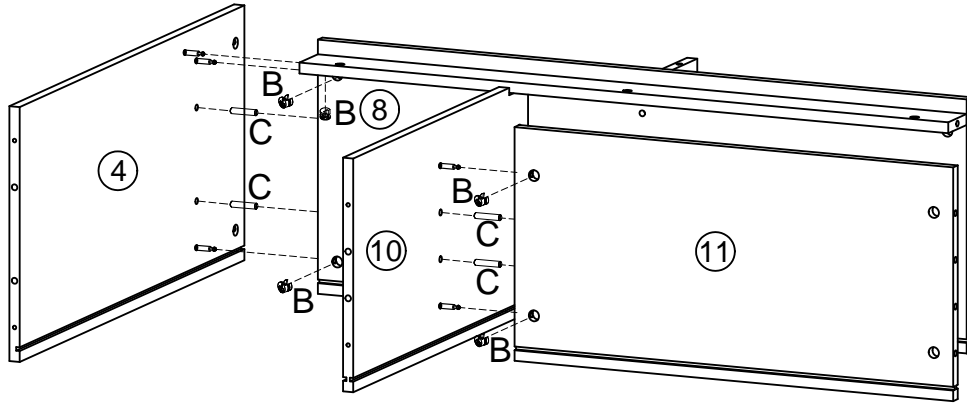


Ø15×12mm

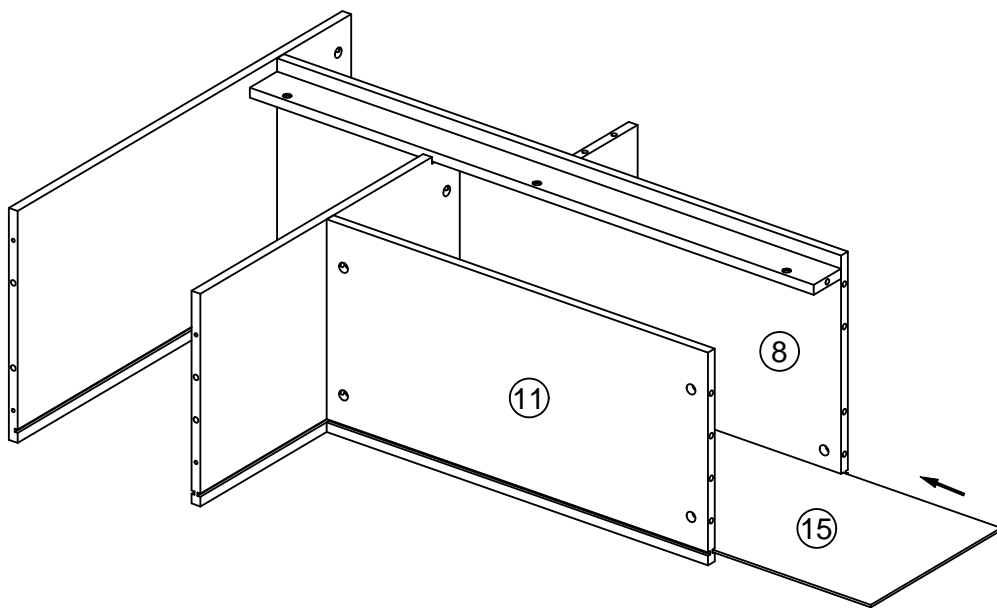
(C) x4



Ø8×30mm



6



PRODUCT ASSEMBLY

7

(B) x5

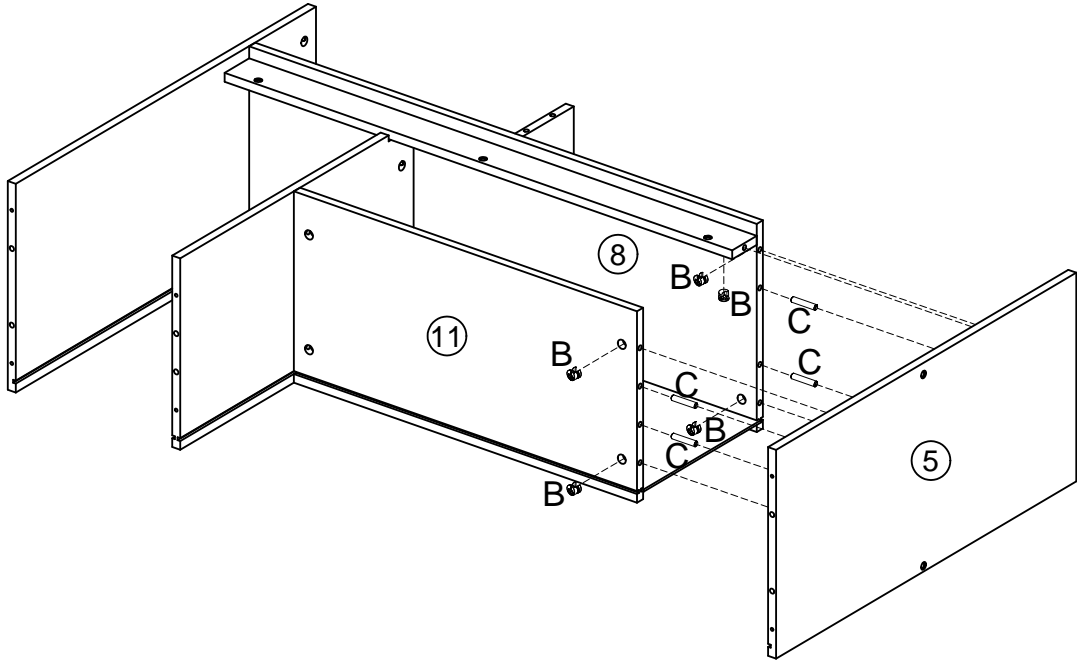


Ø15×12mm

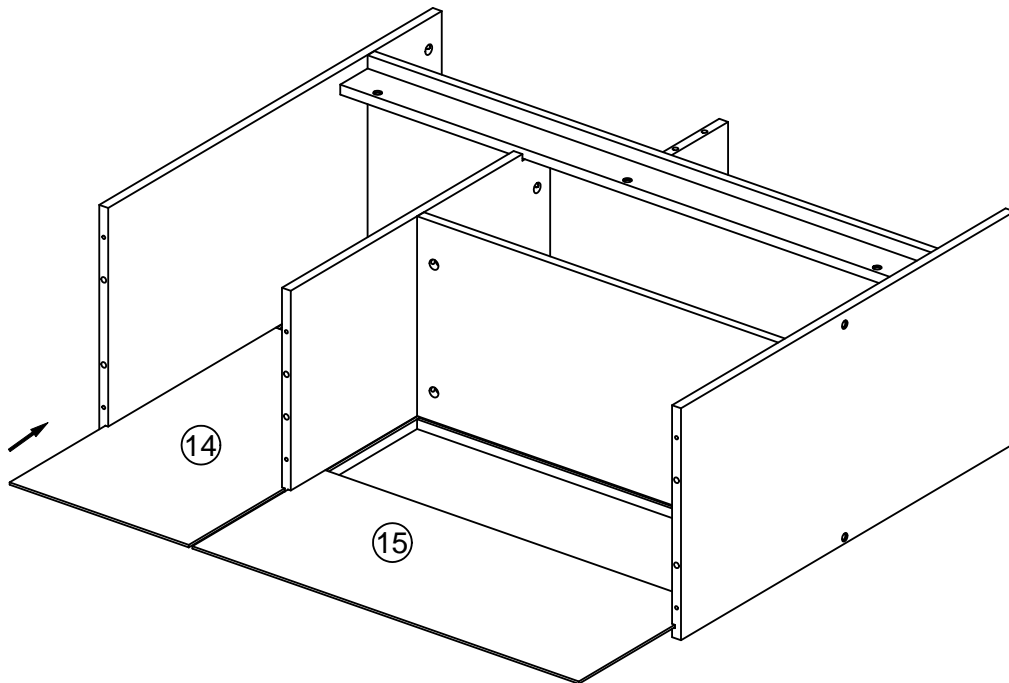
(C) x4



Ø8×30mm



8



PRODUCT ASSEMBLY

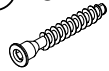
9

Ⓒ x6



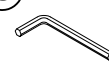
∅8×30mm

Ⓓ x6

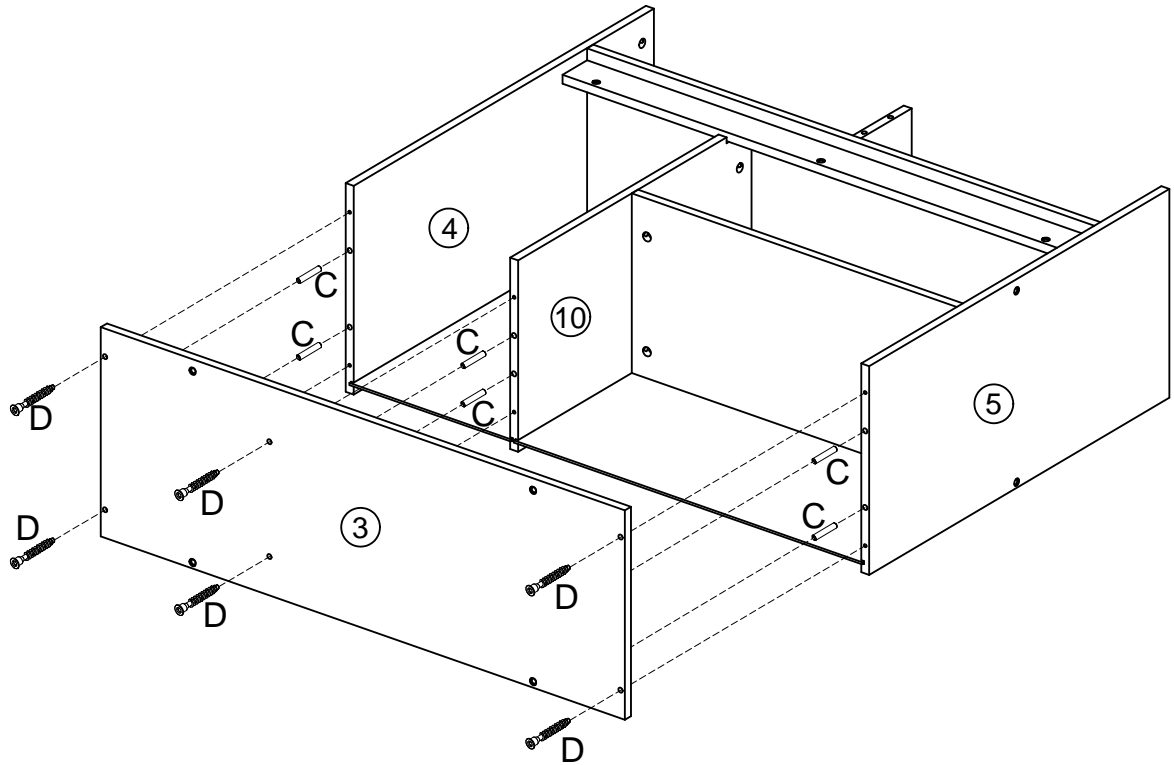


7×48mm

Ⓔ x1



4mm



10

Ⓕ x3

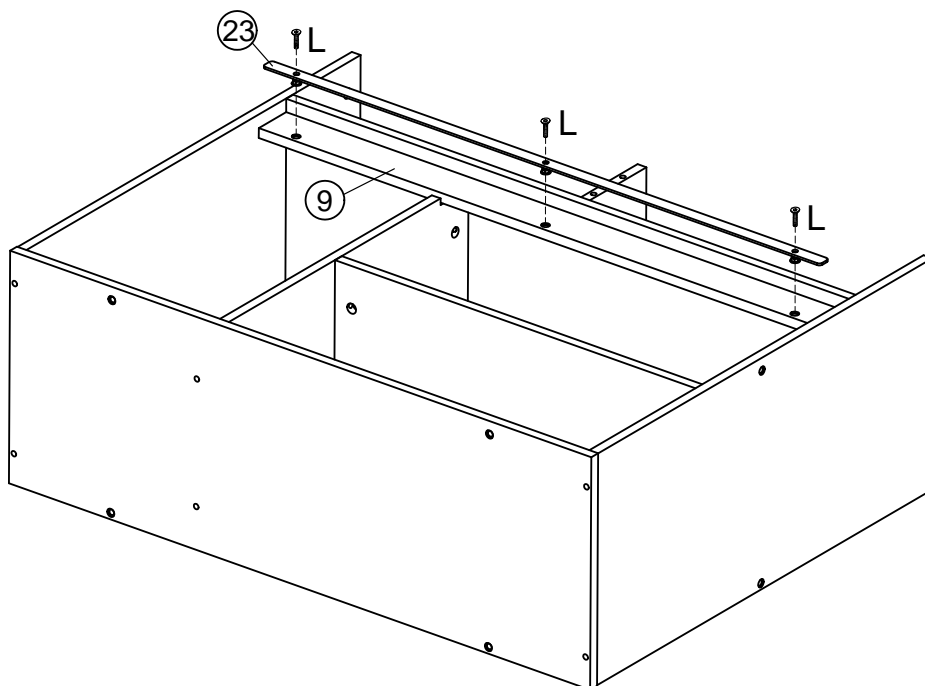


M6×25mm

Ⓔ x1




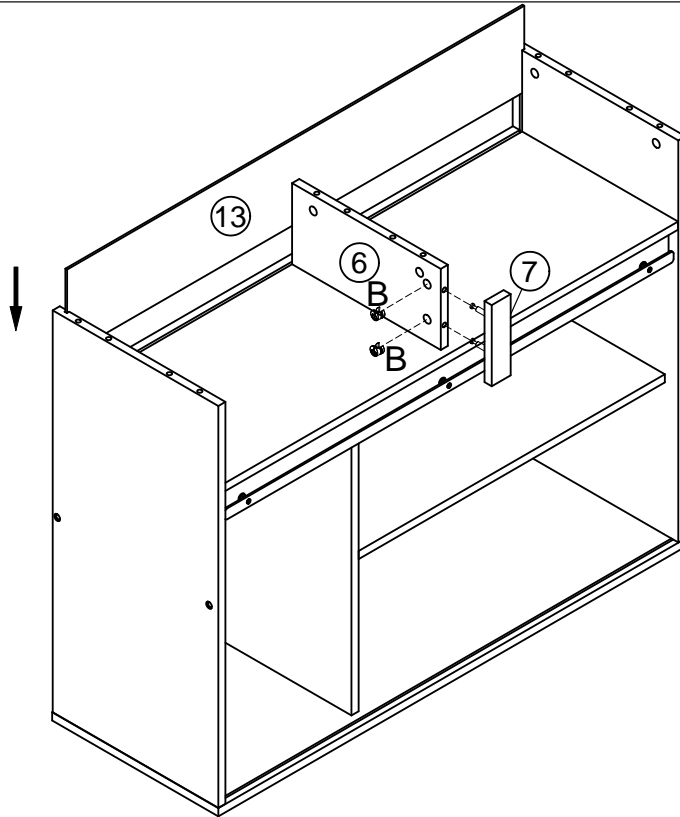
4mm




PRODUCT ASSEMBLY

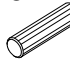
11

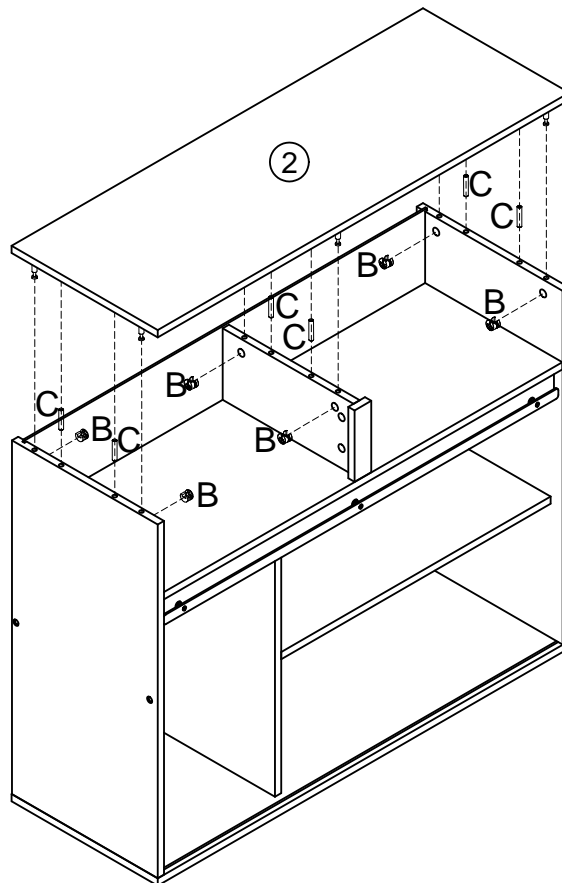
(B) x2

Ø15×12mm



12

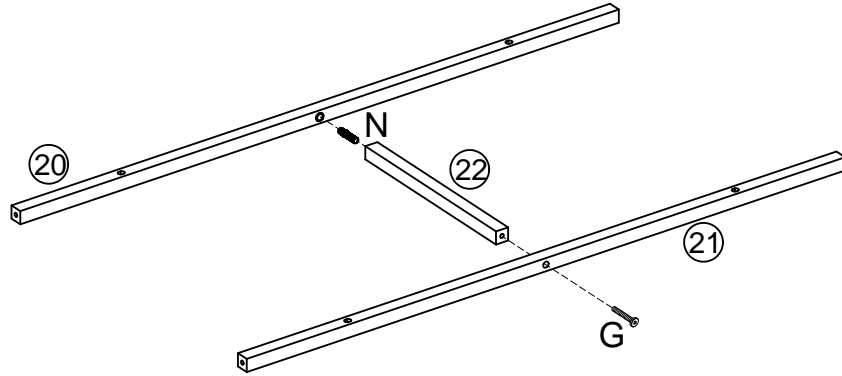
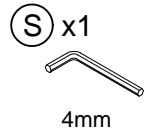
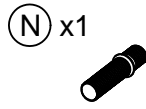
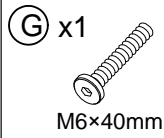
(B) x6

Ø15×12mm

(C) x6

Ø8×30mm

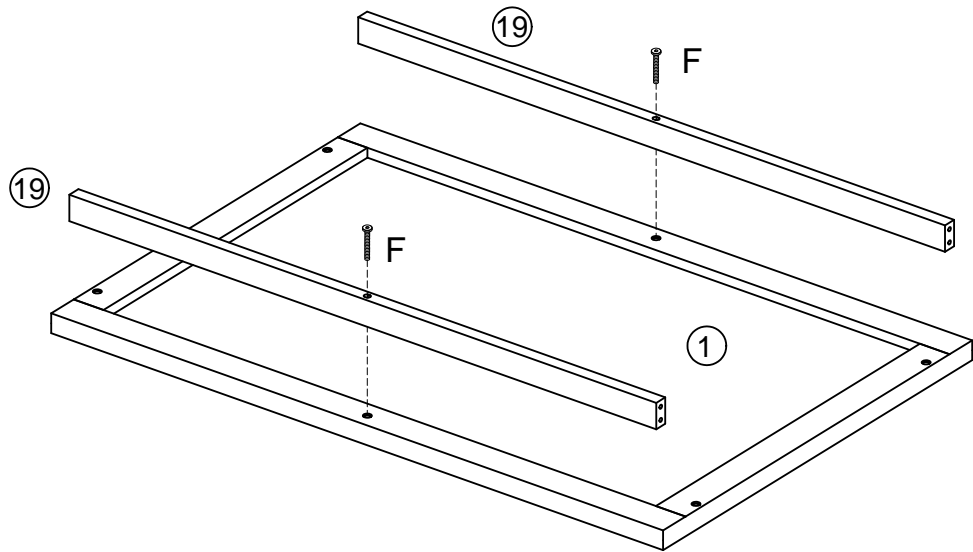
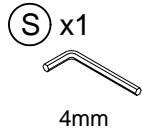
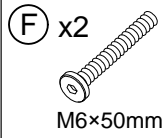


PRODUCT ASSEMBLY

13

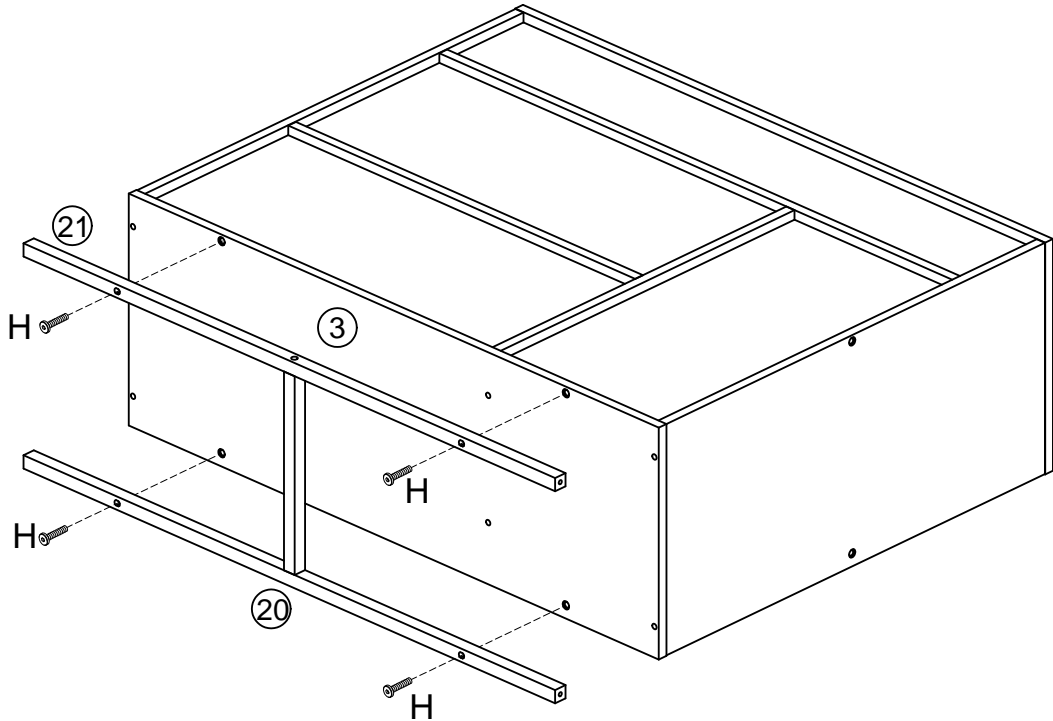
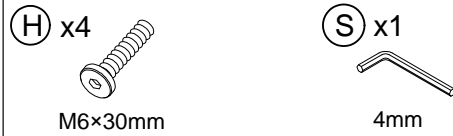


14



PRODUCT ASSEMBLY

15



16

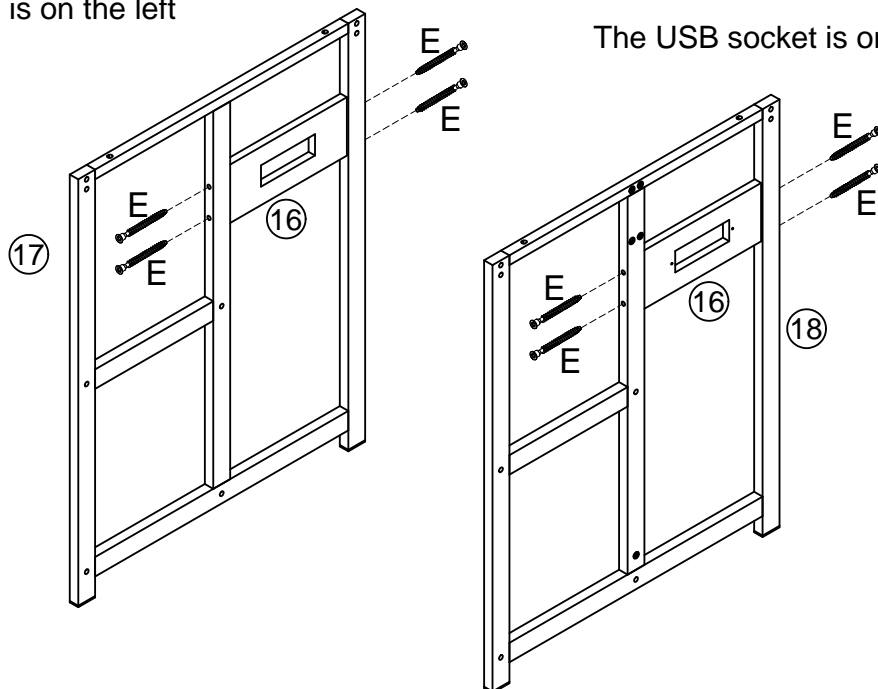


Note: The side with the pilot hole faces out

OR


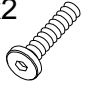

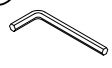
The USB socket is on the left

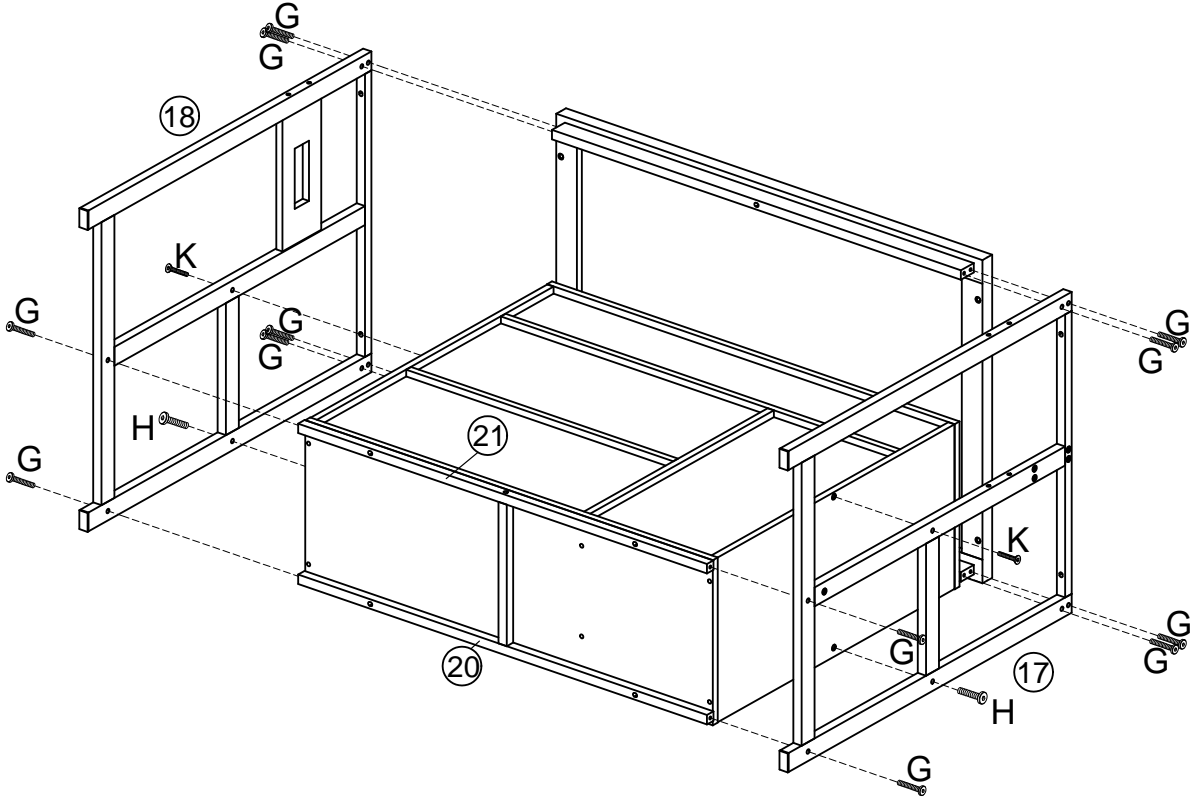
The USB socket is on the right



PRODUCT ASSEMBLY

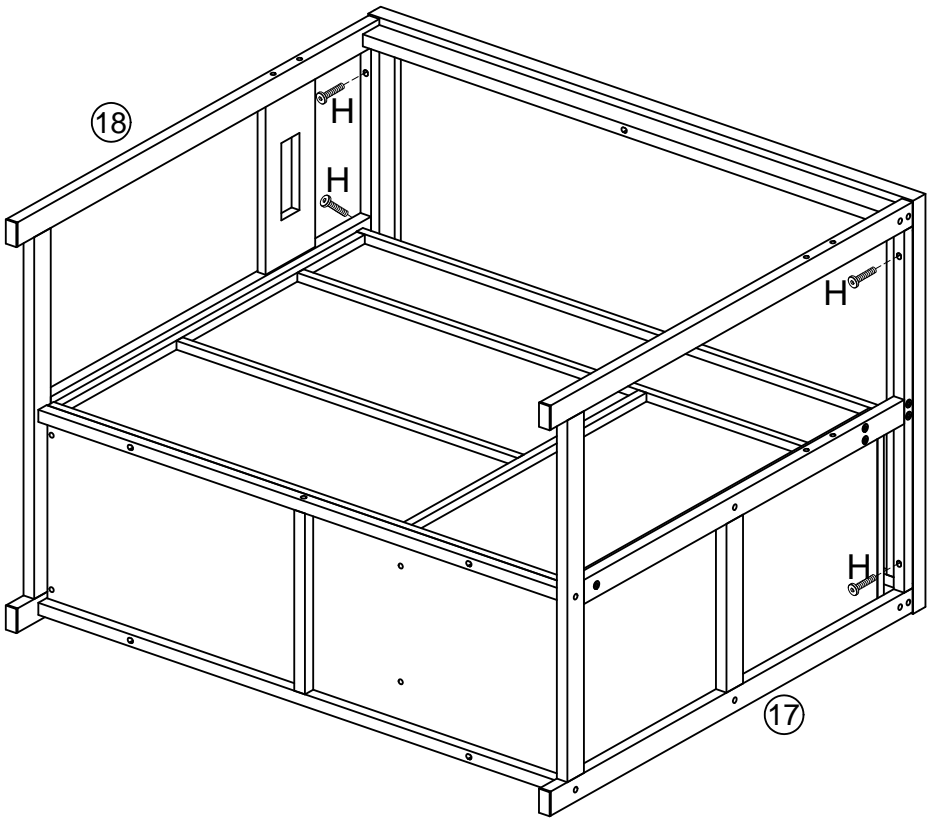
17

 (G) x12 M6×40mm	 (H) x2 M6×30mm	 (K) x2 M6×30mm	 (S) x1 4mm
--	---	--	---

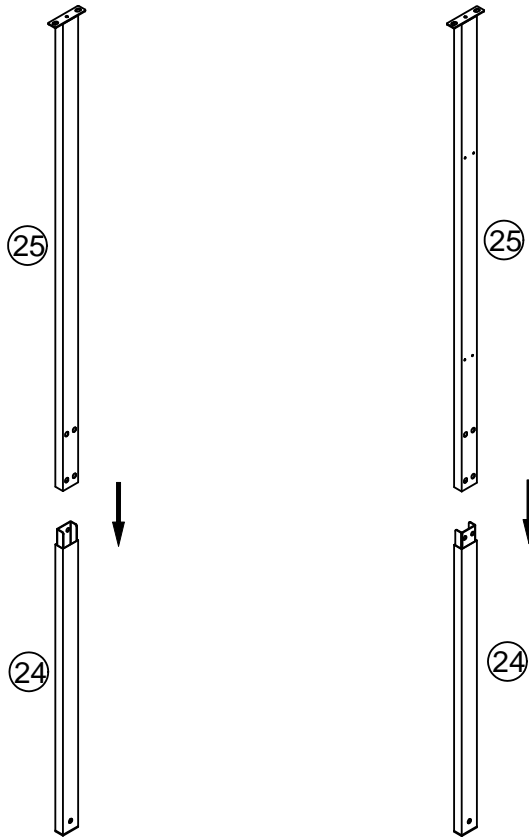


18

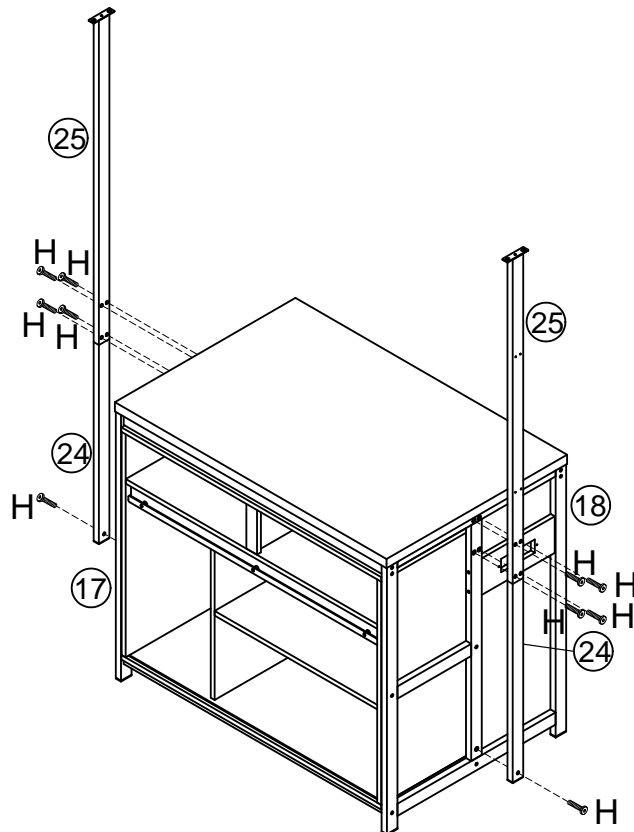
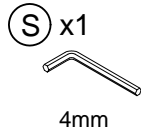
 (H) x4 M6×30mm	 (S) x1 4mm
---	---



19



20



PRODUCT ASSEMBLY

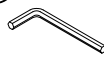
21

(J) x4

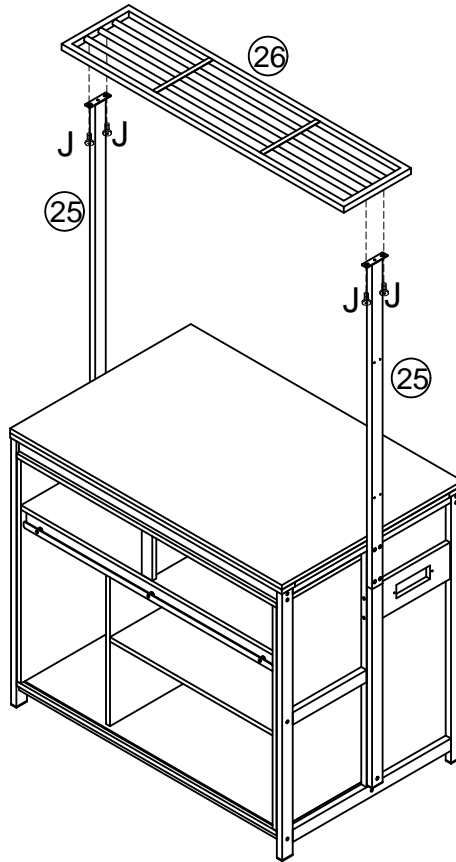


M6x12mm

(S) x1



4mm

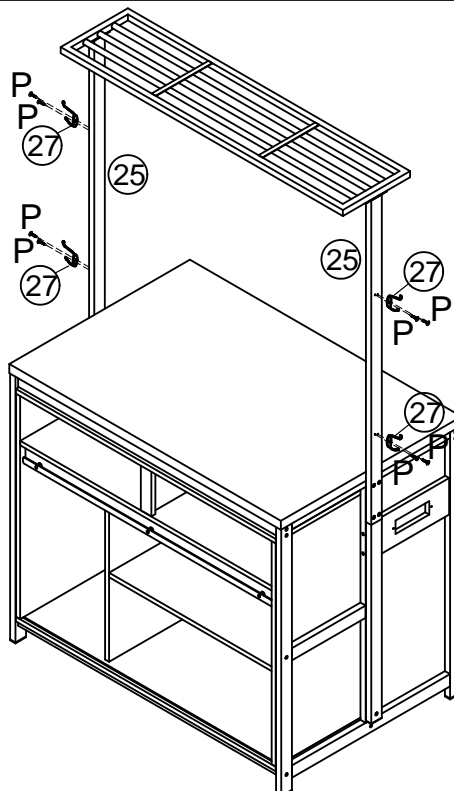


22

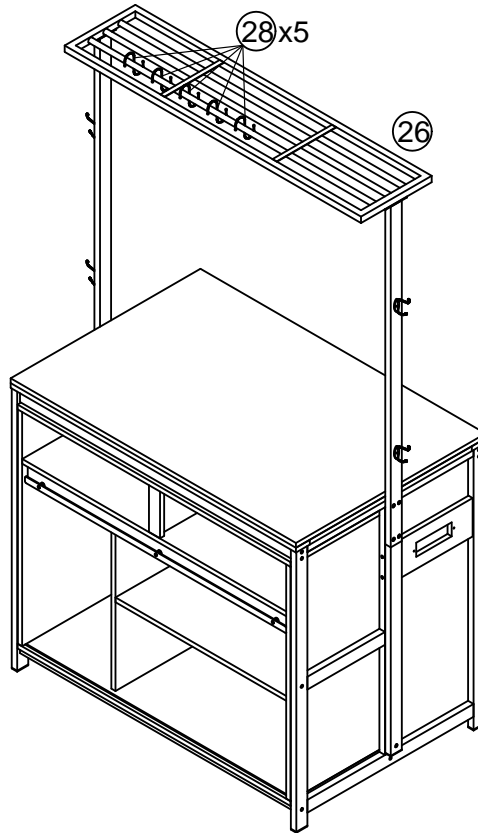
(P) x8



3.5x14mm

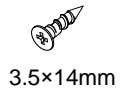


23



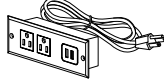
24

(P) x2

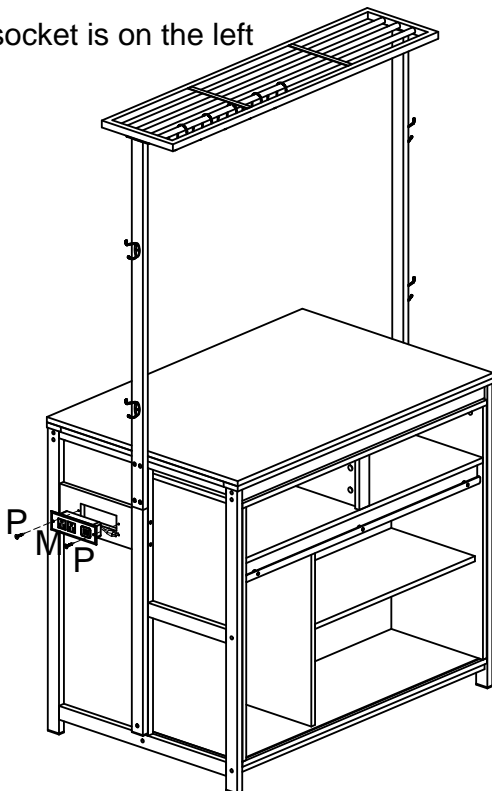


3.5x14mm

(M) x1

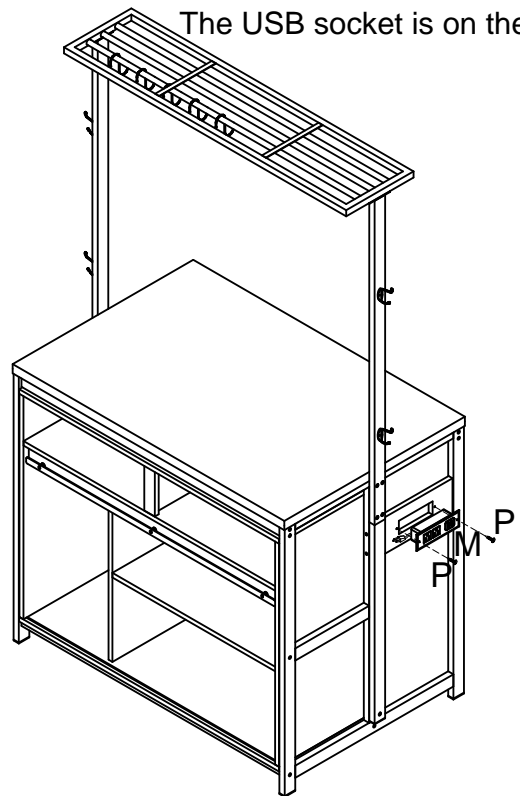


The USB socket is on the left



OR

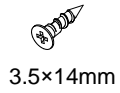
The USB socket is on the right



PRODUCT ASSEMBLY

25

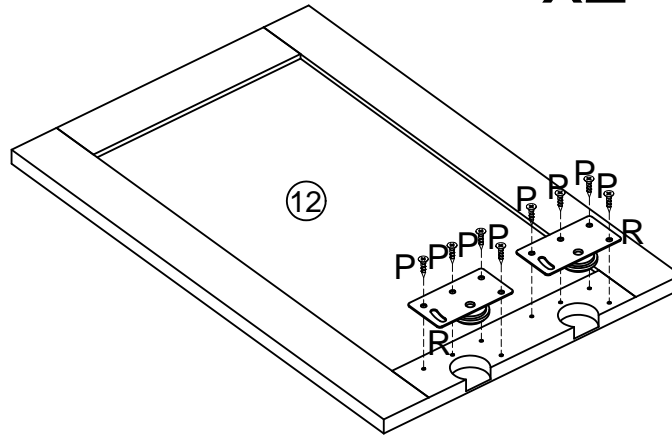
(P) x16



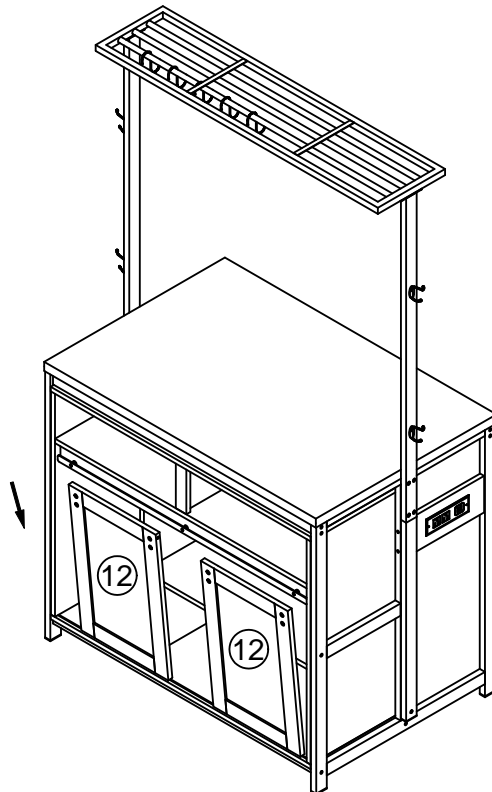
(R) x4



x2

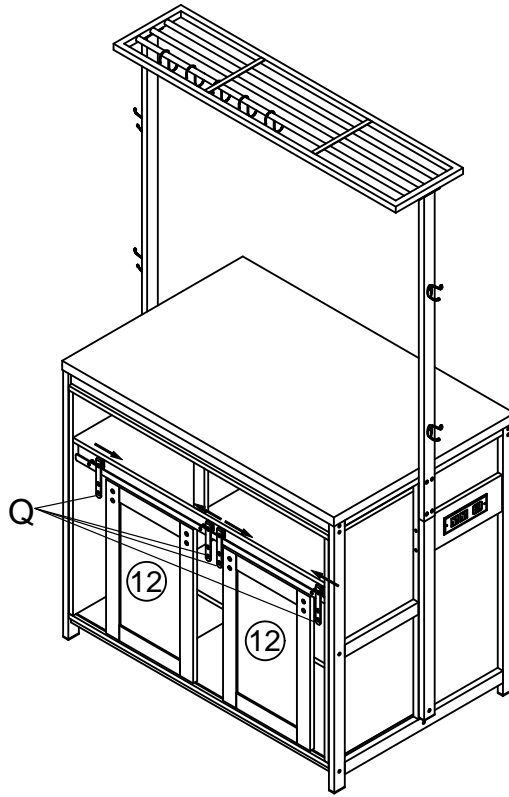
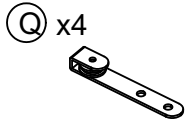


26

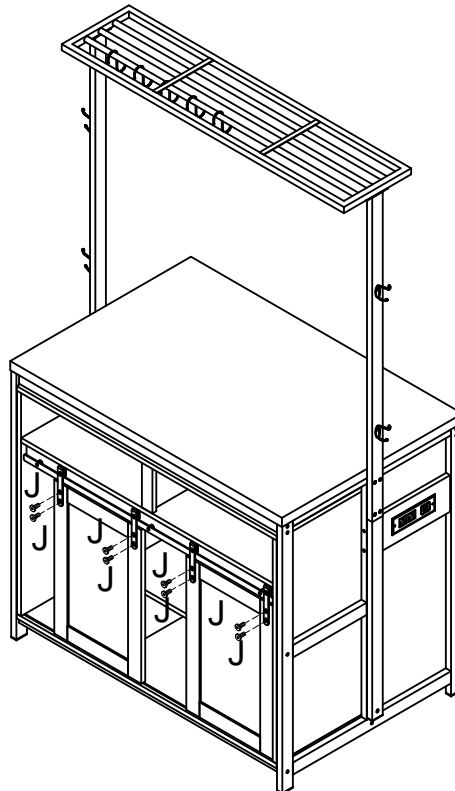
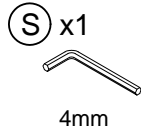
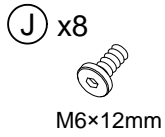


PRODUCT ASSEMBLY

27



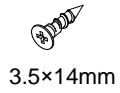
28



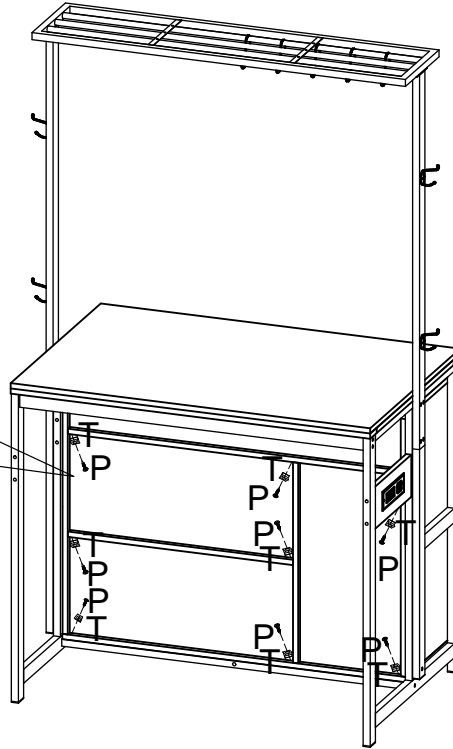
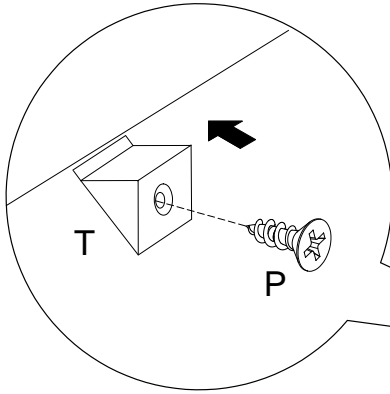
PRODUCT ASSEMBLY

29

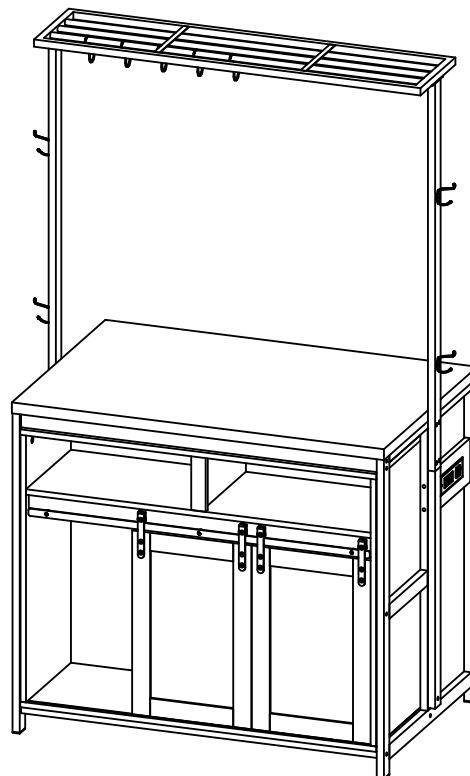
(P) x8



(T) x8



30



CONTACT US

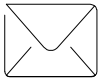
Dear customer, thank you for purchasing Idealhouse products! We are proud to present our customers with high quality products!



If you have any product quality or use problems, please contact our customer service by email, we will ensure your satisfaction.



If you are satisfied with our products, please share your amazing experience with us and other customers! It would be our honor to hear from you!



Customer Service Team : support@idealhouse.vip