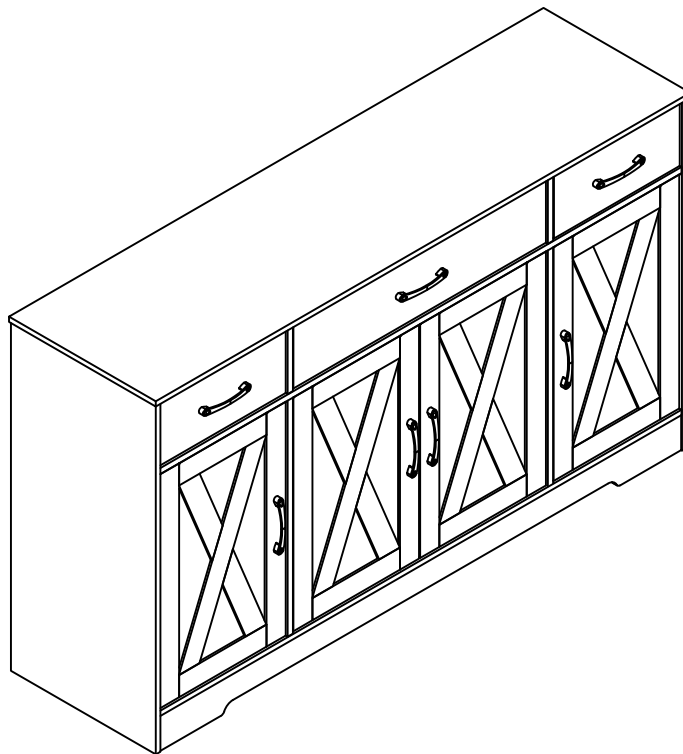


Buffets & Sideboards

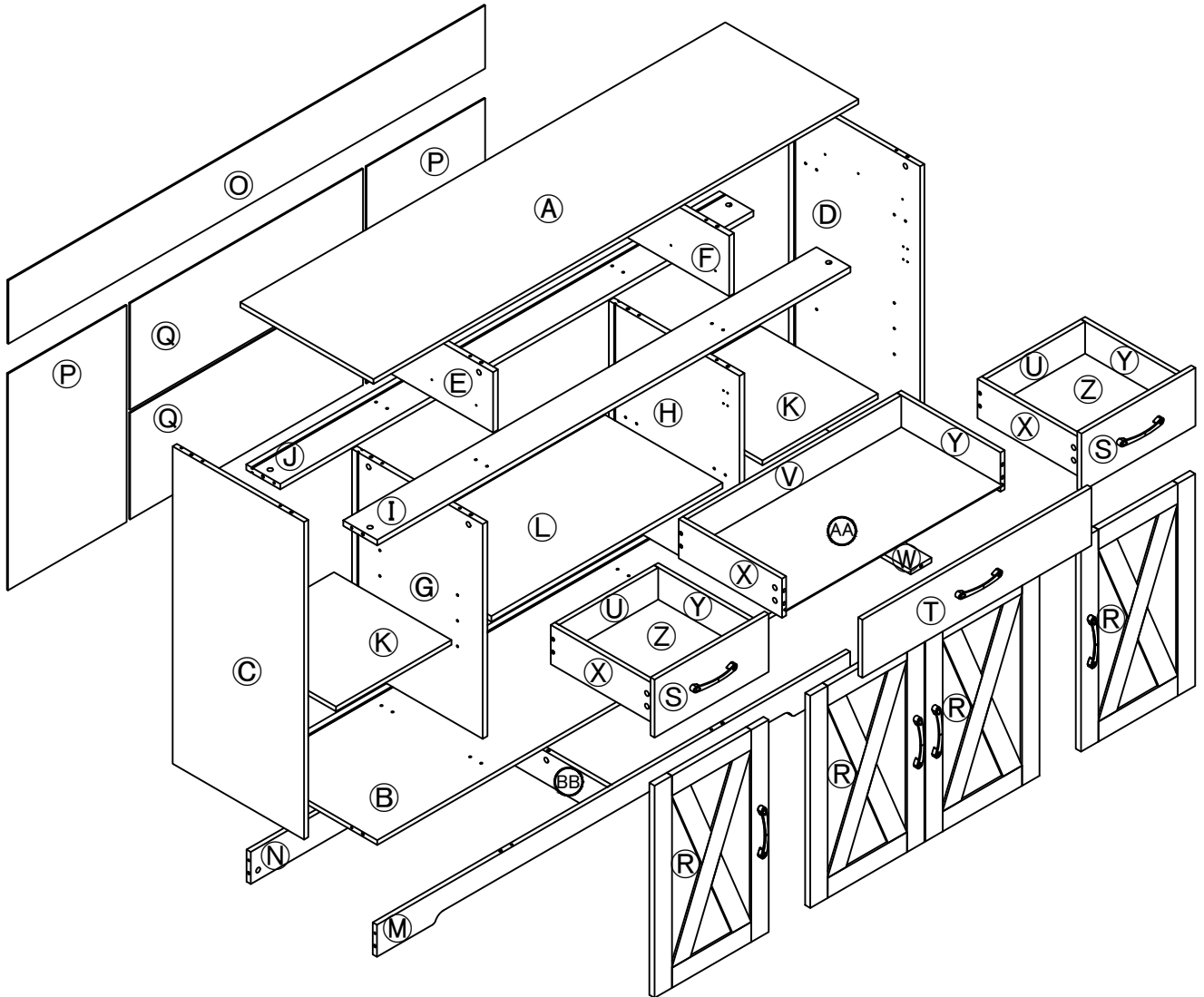
INSTRUCTION



Part of the steps suggest
two people install

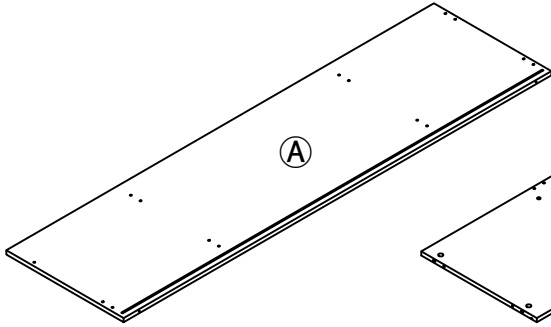
Main Components

Please check you have all the parts listed below

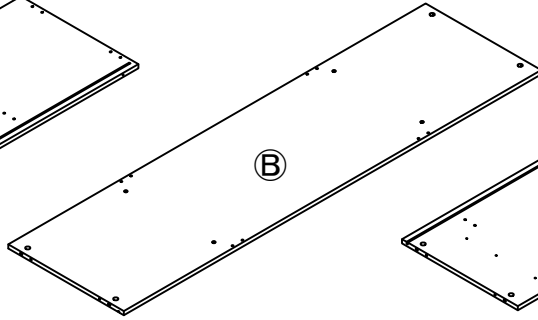


Component Panels & Part List

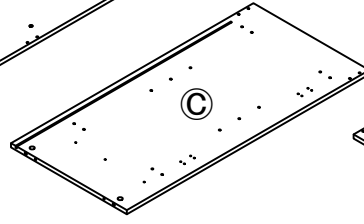
Please check you have all the panels are listed below.



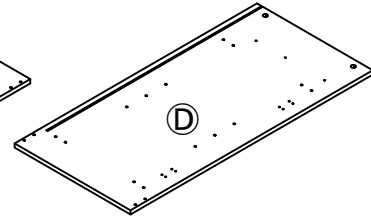
Qty: 1pc



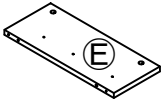
Qty: 1pc



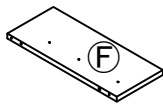
Qty: 1pc



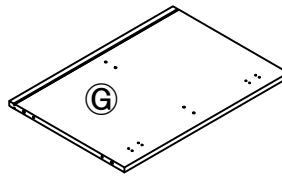
Qty: 1pc



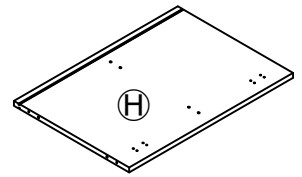
Qty: 1pc



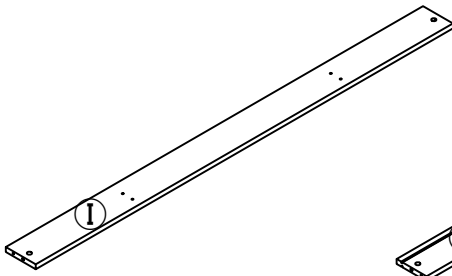
Qty: 1pc



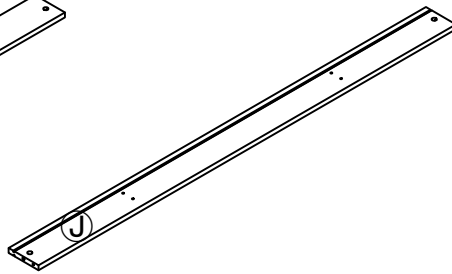
Qty: 1pc



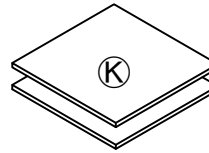
Qty: 1pc



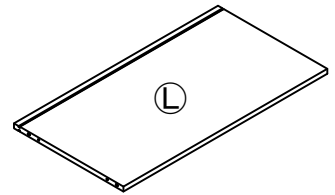
Qty: 1pc



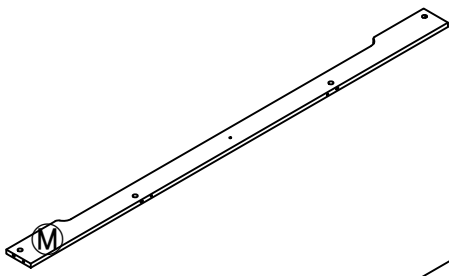
Qty: 1pc



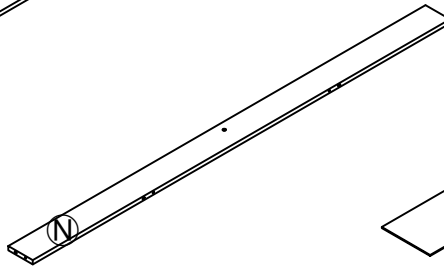
Qty: 2pcs



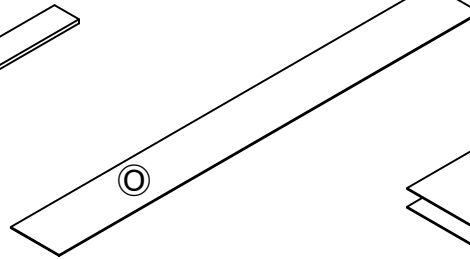
Qty: 1pc



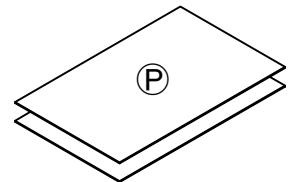
Qty: 1pc



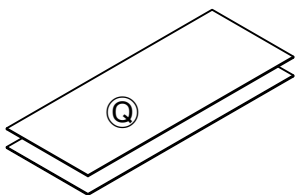
Qty: 1pc



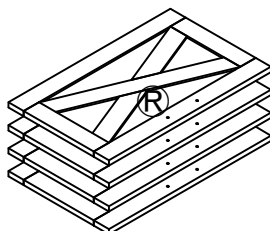
Qty: 1pc



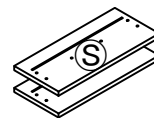
Qty: 2pcs



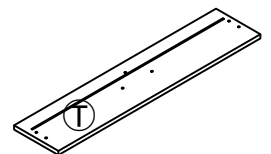
Qty: 2pcs



Qty: 4pcs



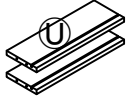
Qty: 2pcs



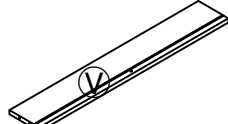
Qty: 1pc

Component Panels & Part List

Please check you have all the panels are listed below.



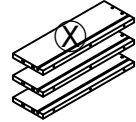
Qty:2pcs



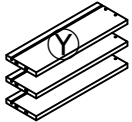
Qty:1pc



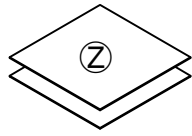
Qty:1pc



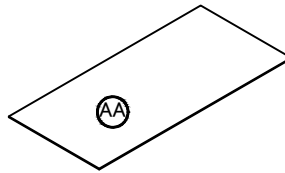
Qty:3pcs



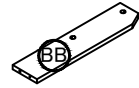
Qty:3pcs



Qty:2pcs



Qty:1pc

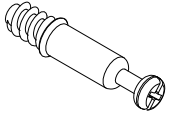


Qty:1pc

Fixings, Fittings And Tools

Please check all the fittings listed below

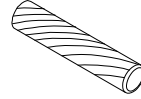
Note: The quantities below are the correct amount to complete the assembly. In some case more fittings may be supplied than be required.



1 Ø6*L27mm
47+1pcs



2 Ø12*9mm
47+1pcs



3 Ø5*30mm
41+1pcs



4 Ø8*Ø4*38mm
22pcs



5 Ø8*Ø4*12mm
48+1pcs



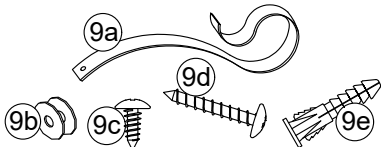
6 Ø7*Ø3.5*11mm
36+1pcs



7 Ø8*Ø4*16mm
14pcs



8 Ø5*20mm
8pcs



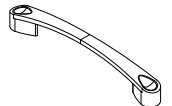
9 2sets



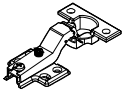
10 Ø6*Ø3*18mm
14pcs



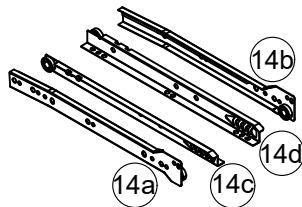
11 14*13*10mm
14pcs



12 126*13*M4
7pcs



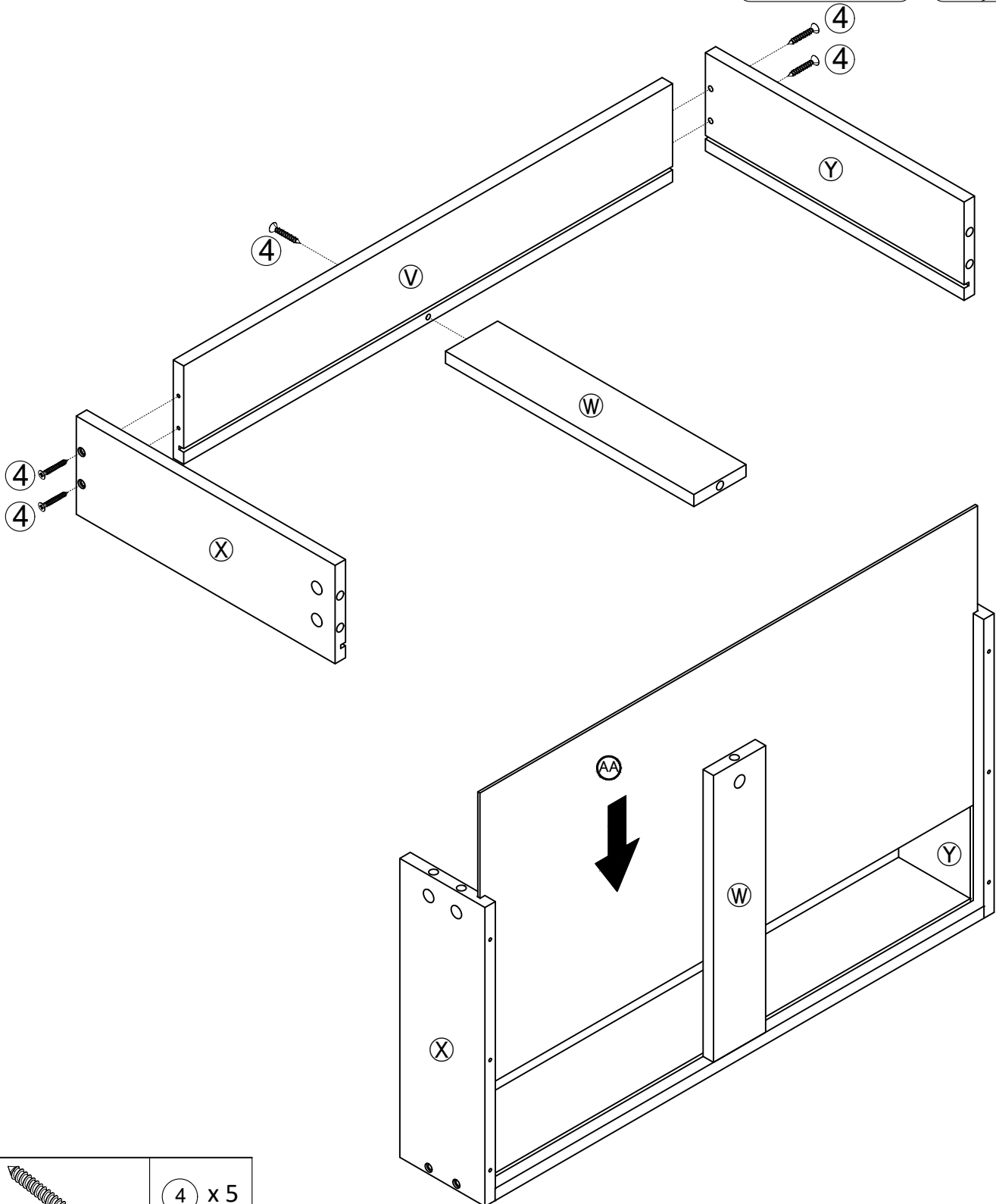
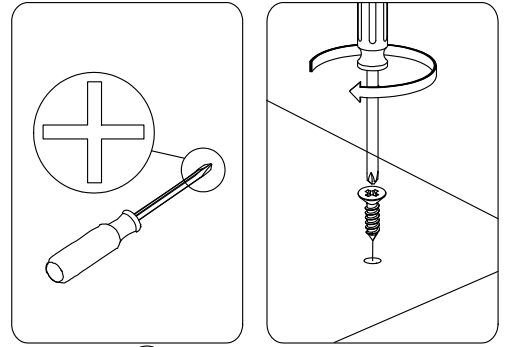
13 Ø26
8pcs



14 12"
3sets

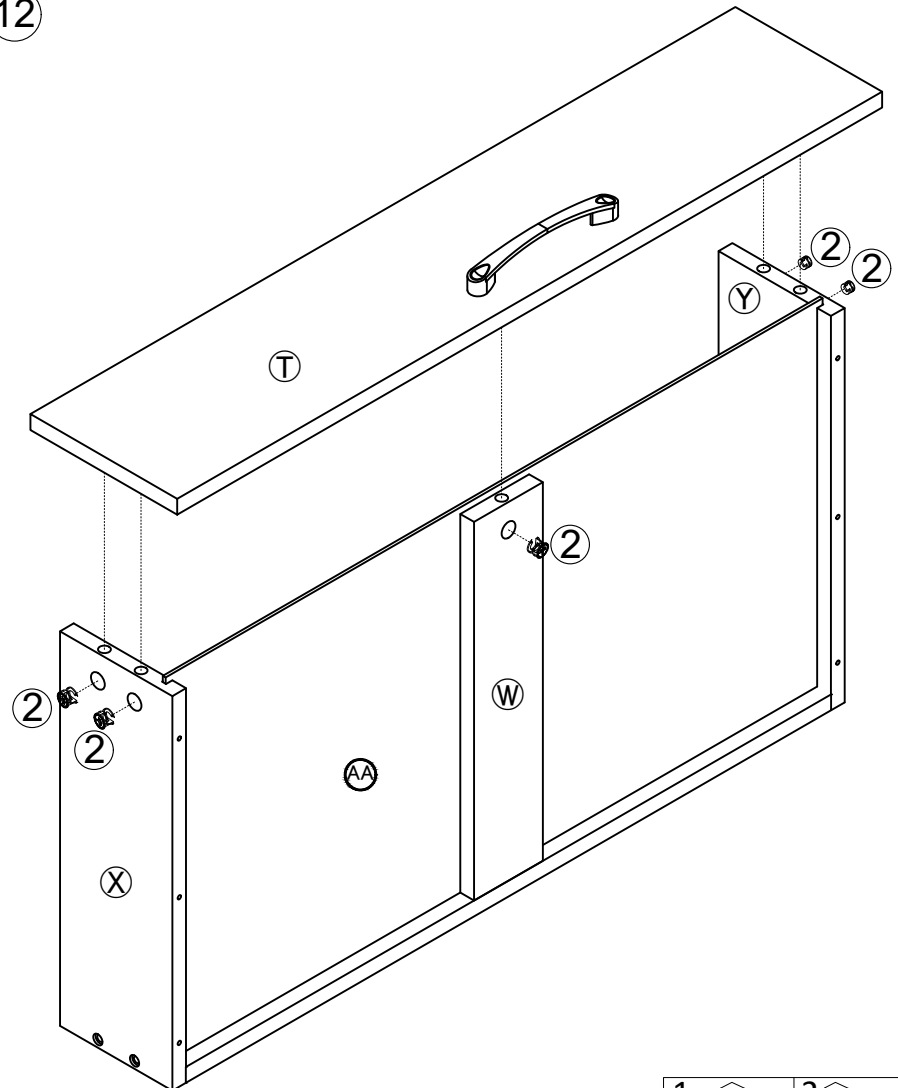
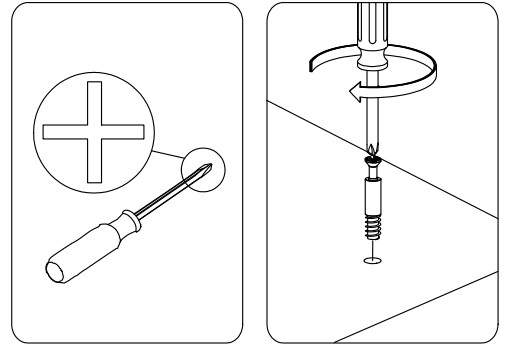
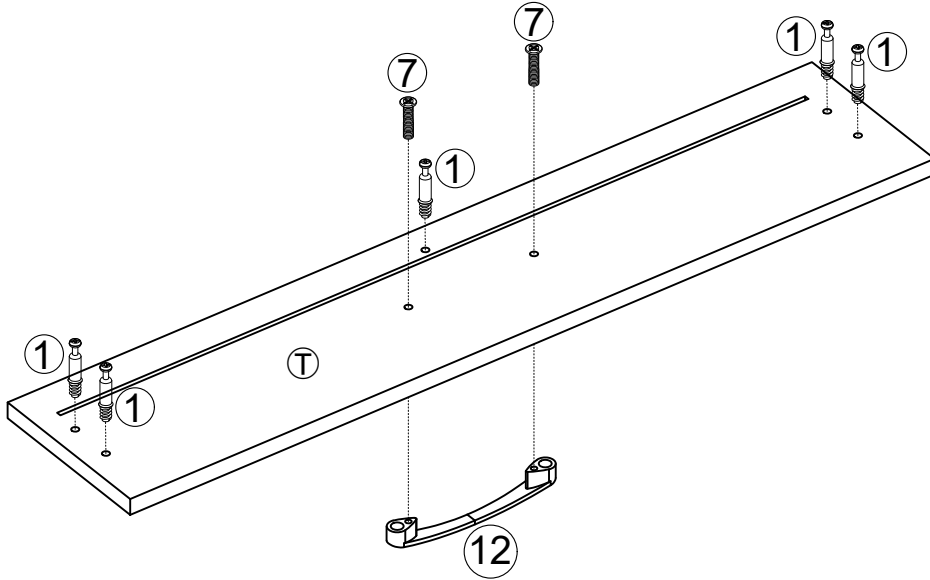
Assembly Step

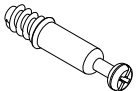

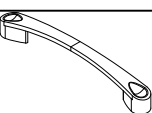

Step 1

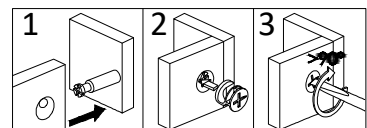


Assembly Step

Step 2

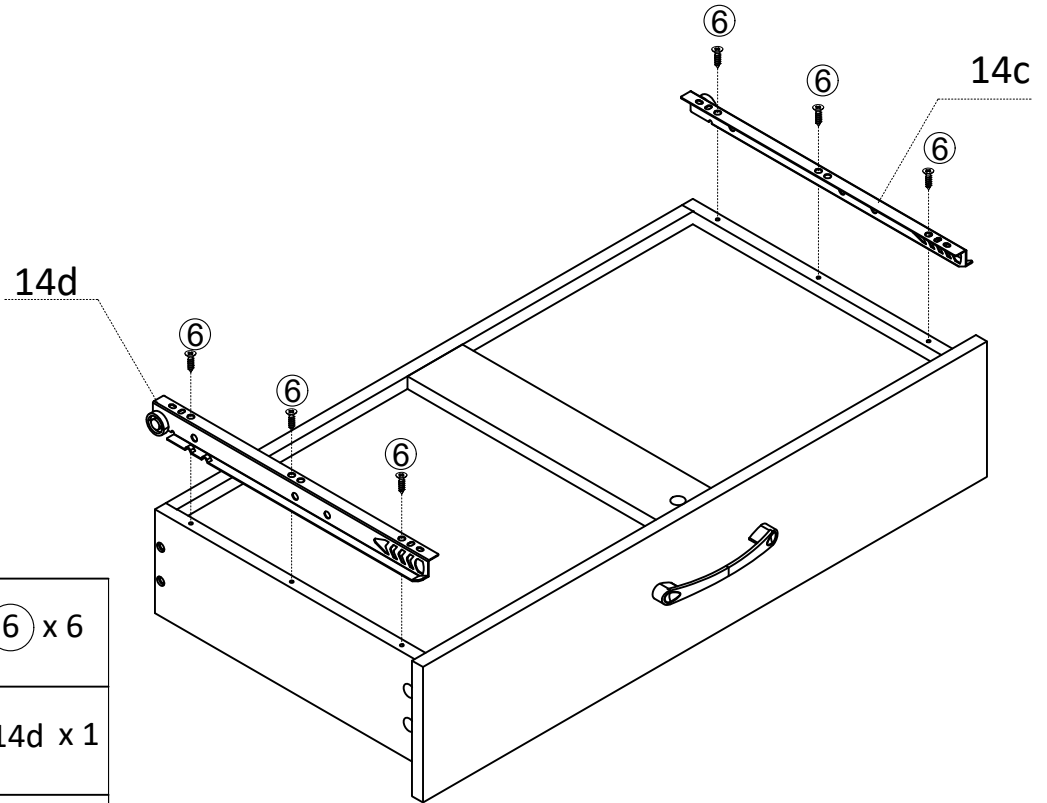
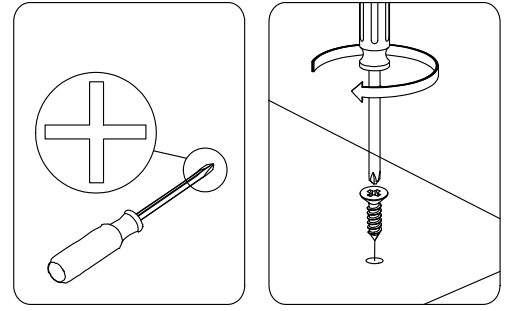


	1 x 5
	7 x 2
	12 x 1
	2 x 5



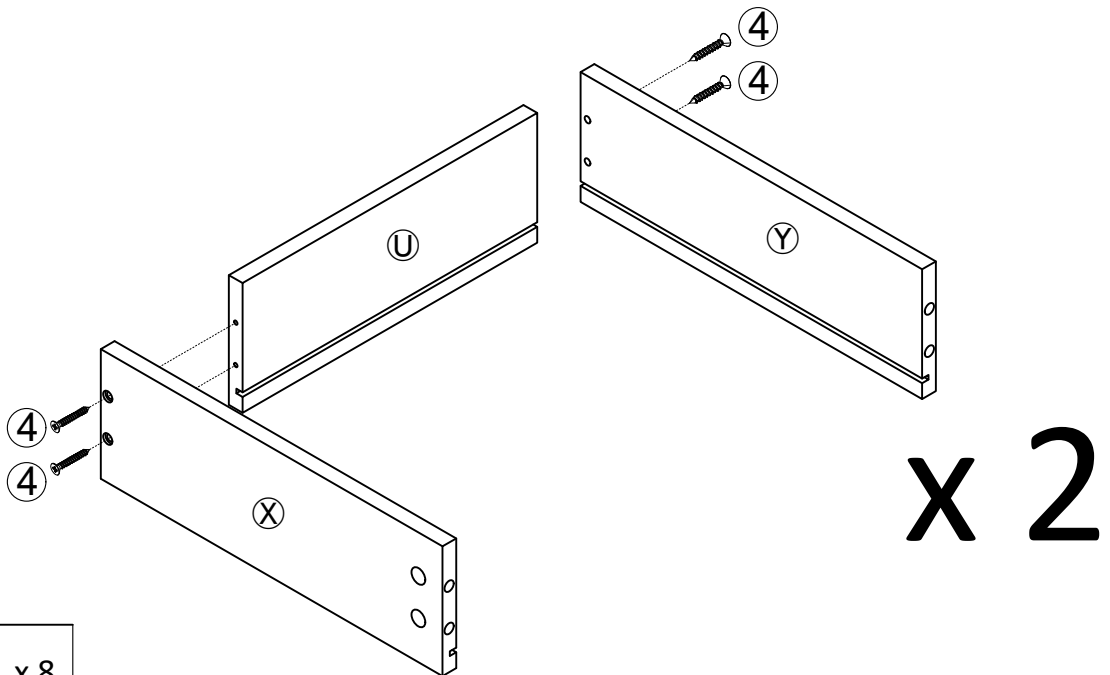
Assembly Step

Step 3



	6 x 6
	14d x 1
	14c x 1

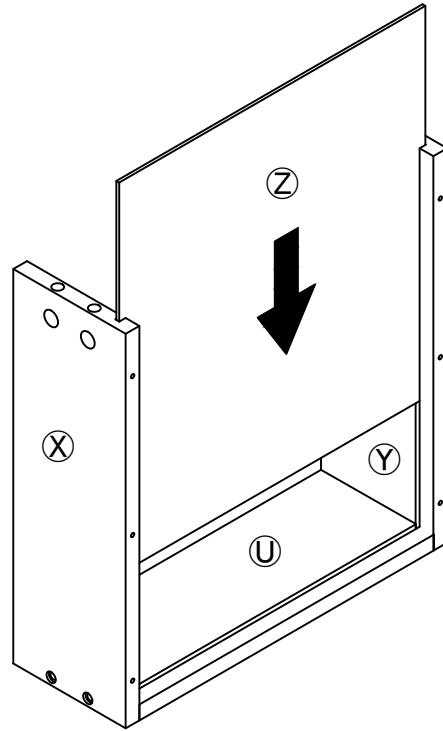
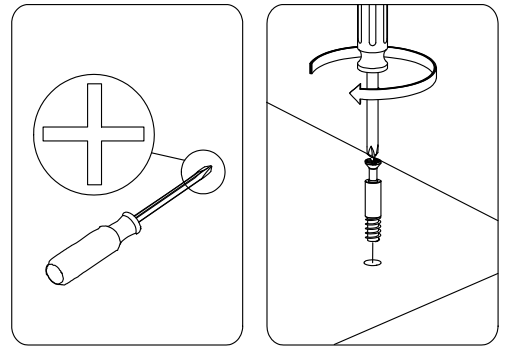
Step 4



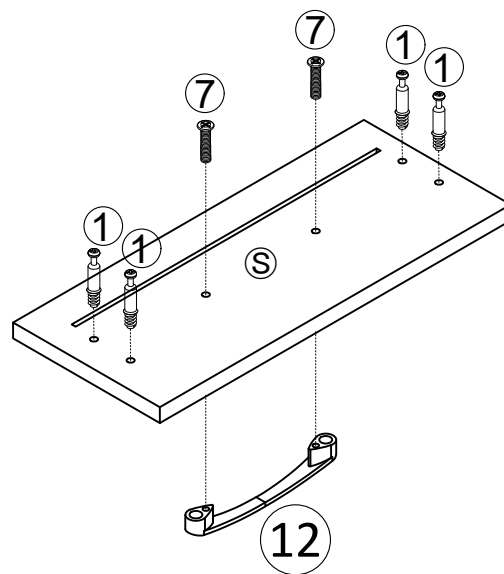
	4 x 8
--	-------

Assembly Step

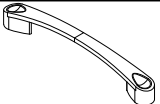
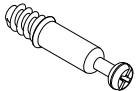

Step 5



x 2

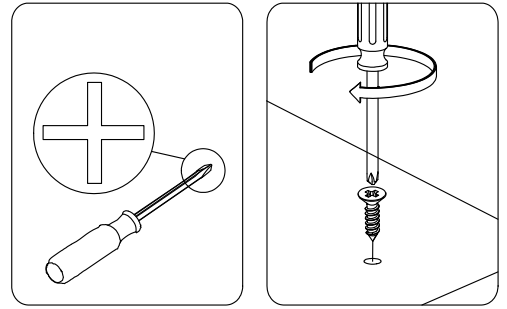
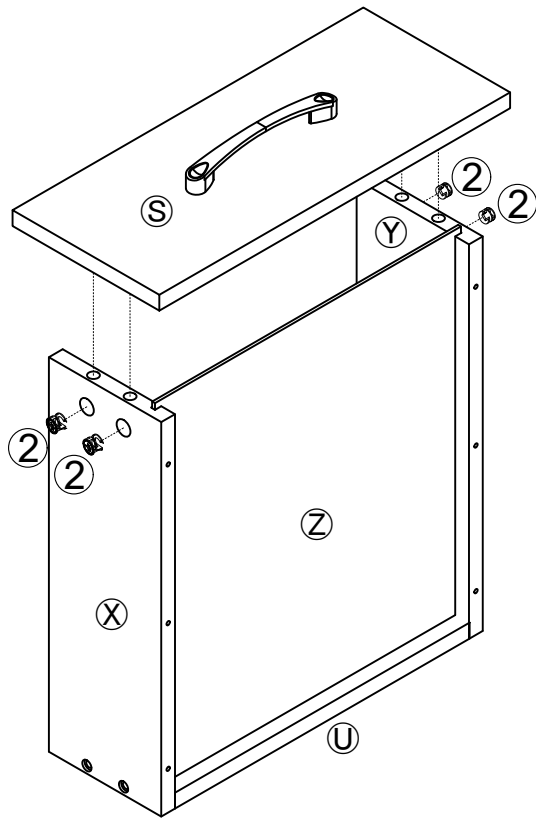


x 2

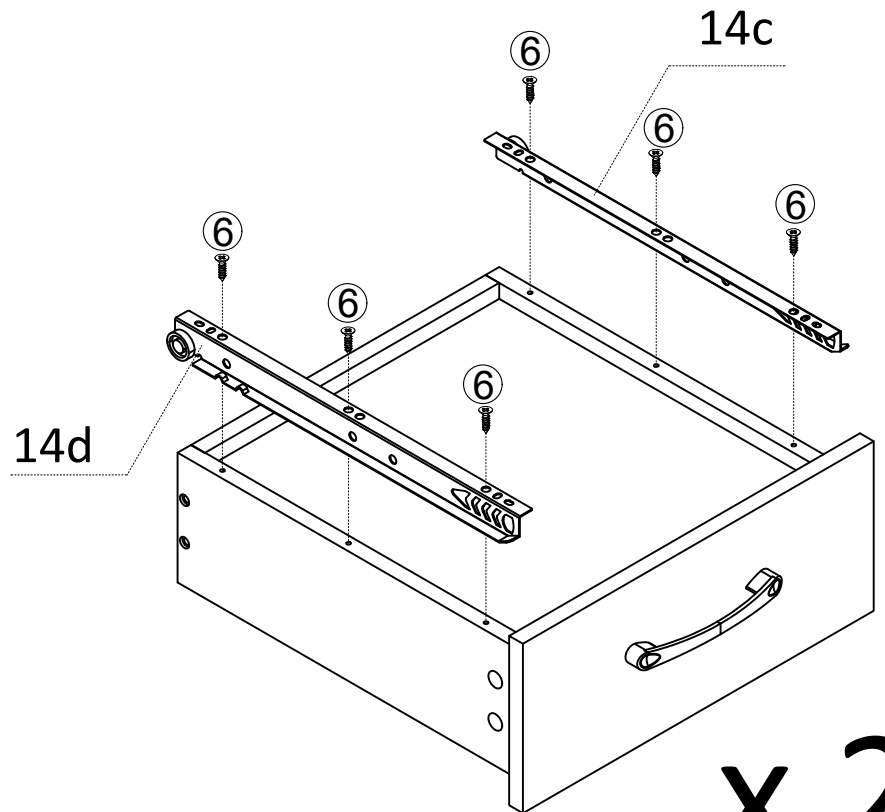
	⑫ x 2
	① x 8
	⑦ x 4

Assembly Step


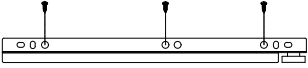
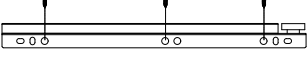

Step 6

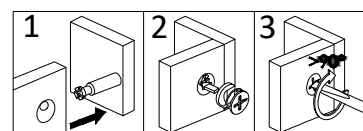


x 2



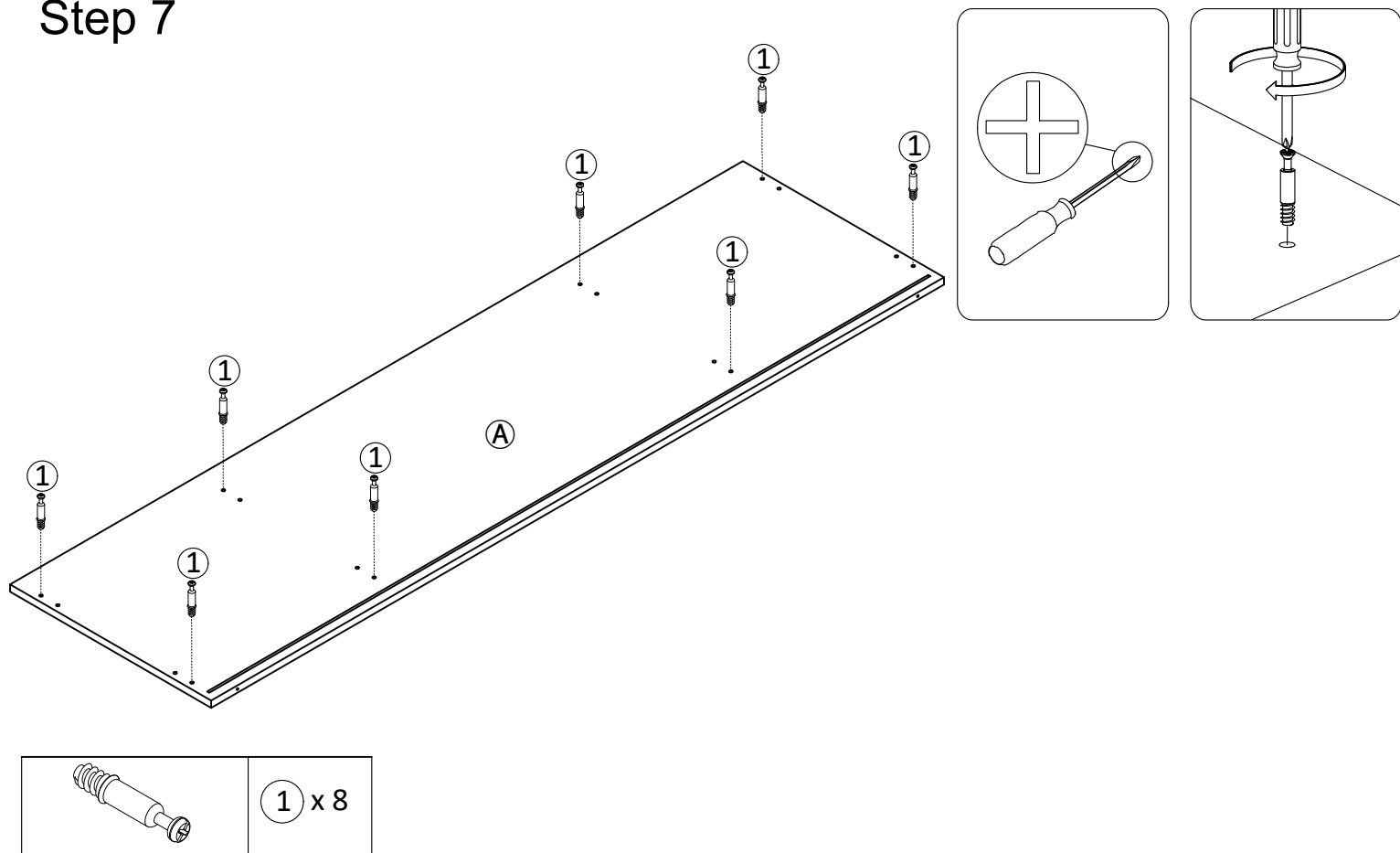
x 2

	(2) x 8
	14d x 2
	14c x 2
	(6) x 12

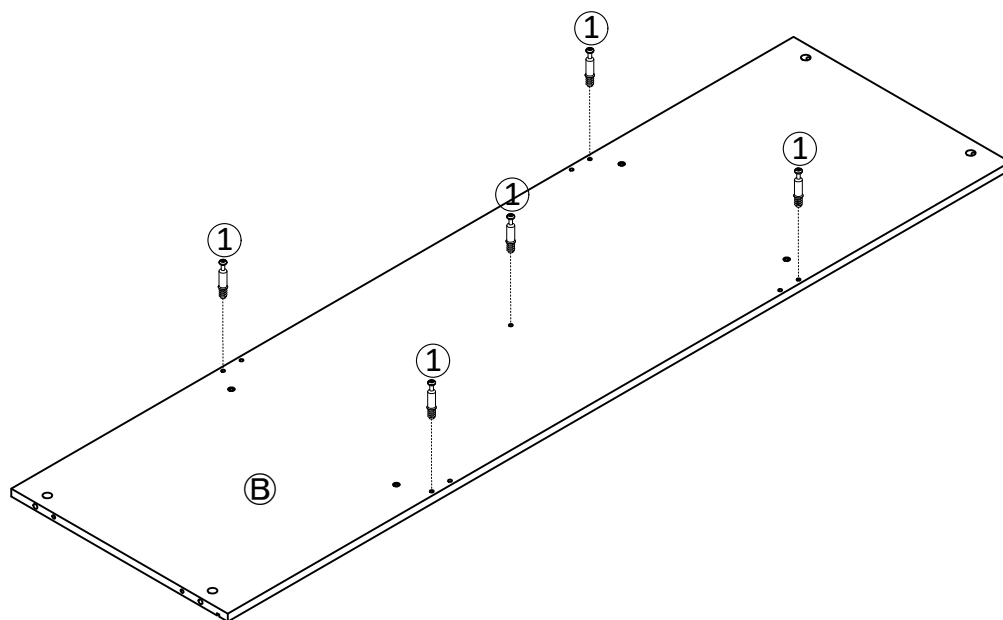


Assembly Step

Step 7

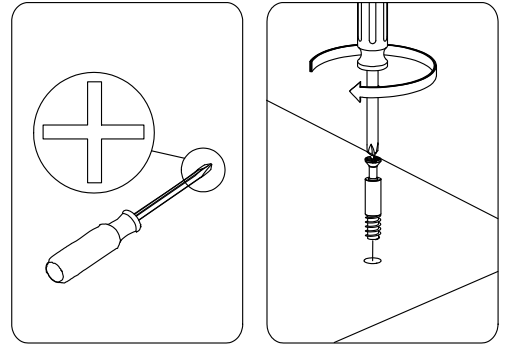
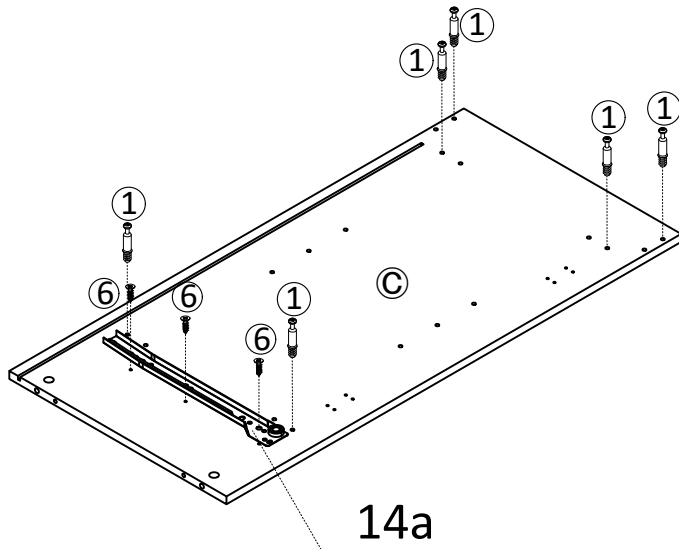


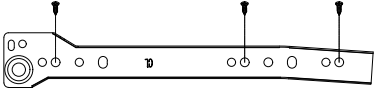
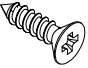
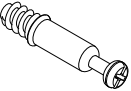
Step 8



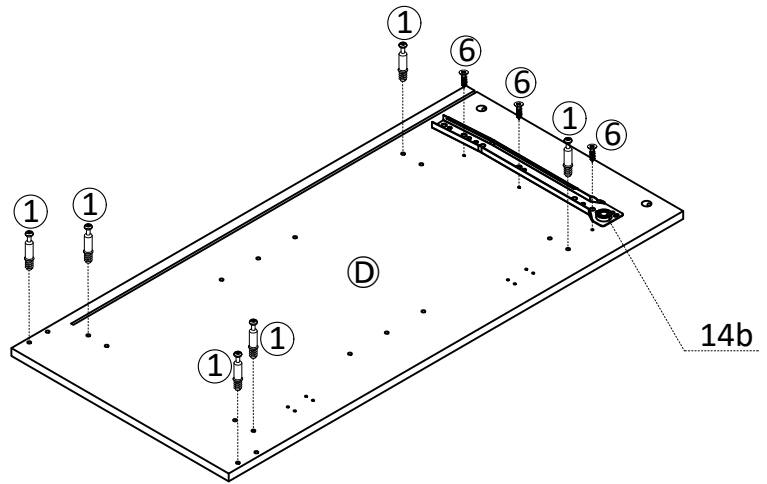
Assembly Step

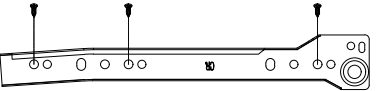

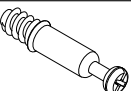
Step 9



	14a x 1
	6 x 3
	1 x 6

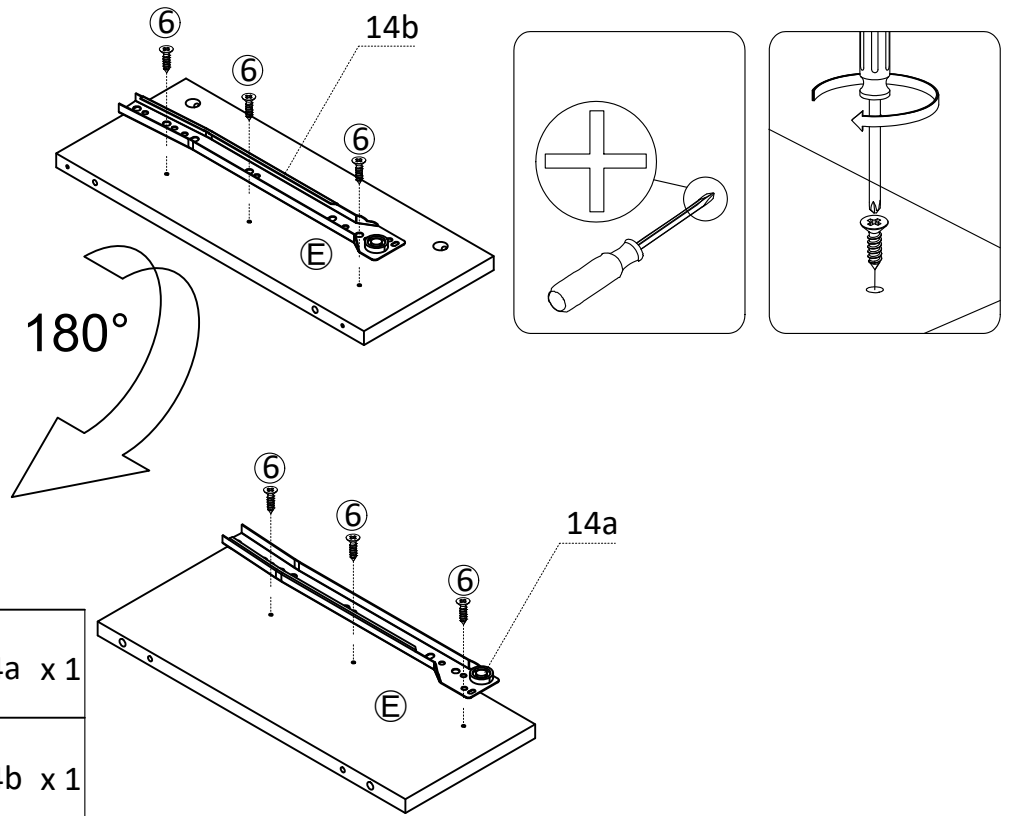
Step 10



	14b x 1
	6 x 3
	1 x 6

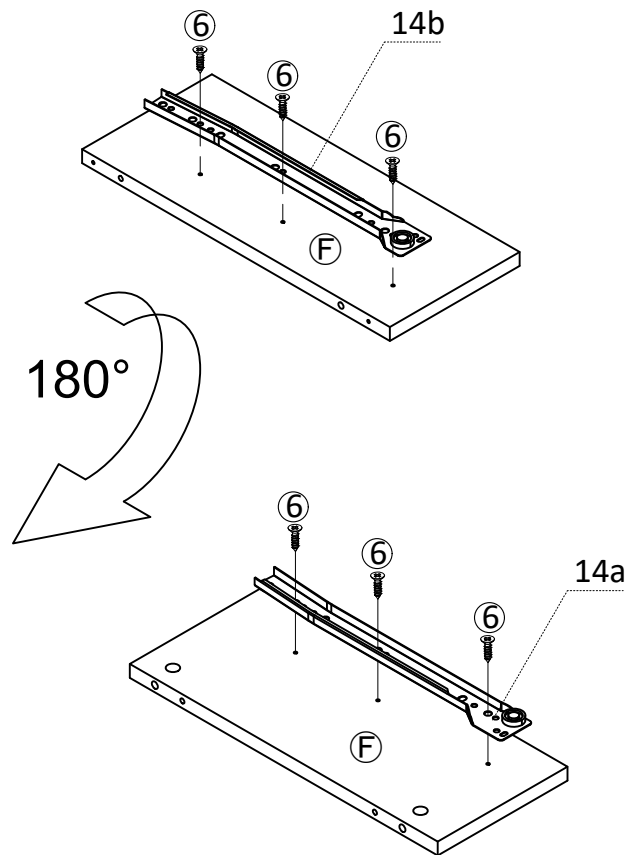
Assembly Step

Step 11



	14a x 1
	14b x 1
	6 x 6

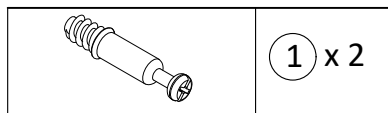
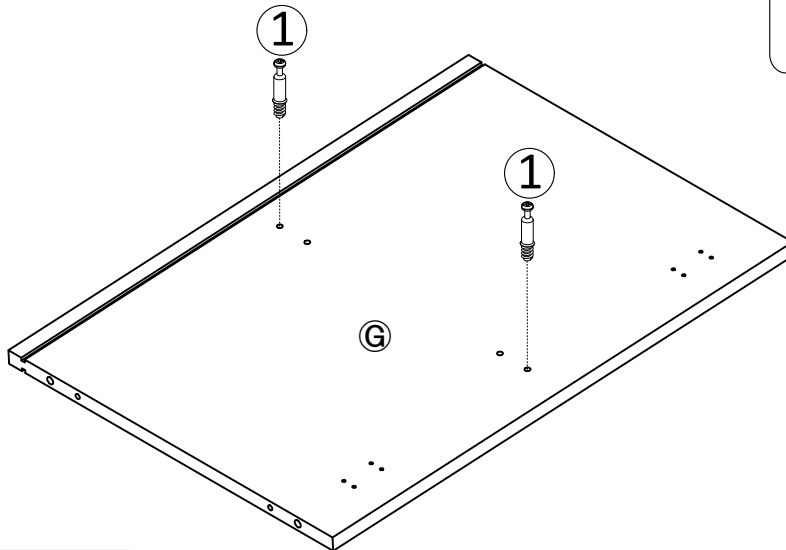
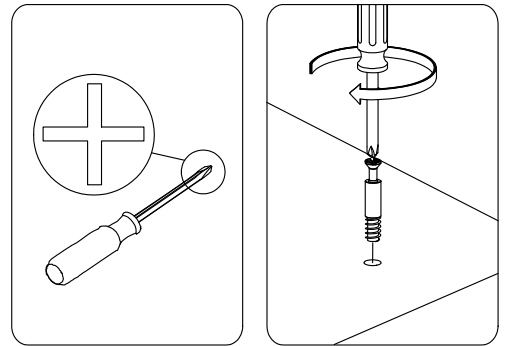
Step 12



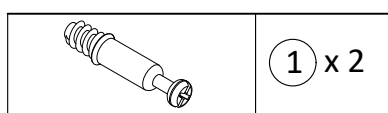
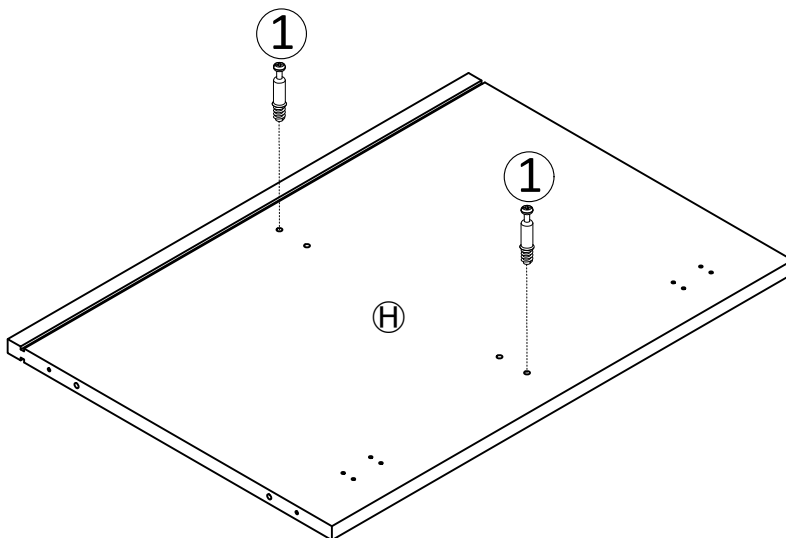
	14a x 1
	14b x 1
	6 x 6

Assembly Step

Step 13

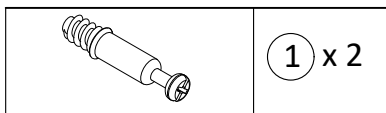
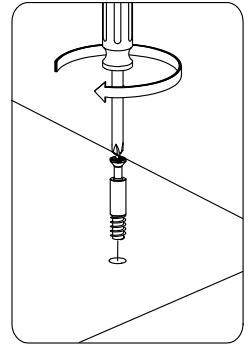
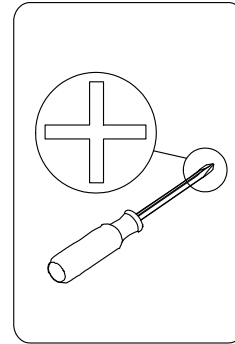
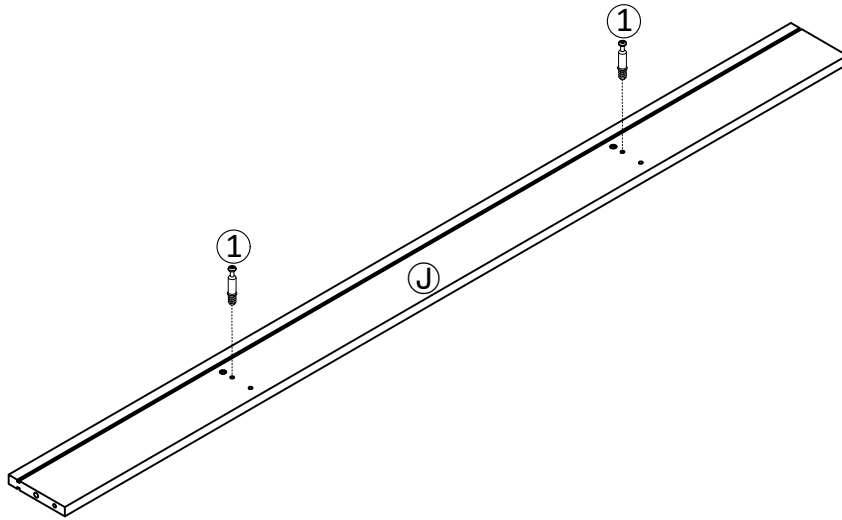


Step 14

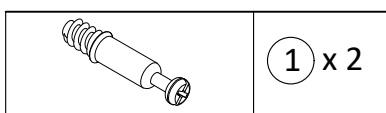
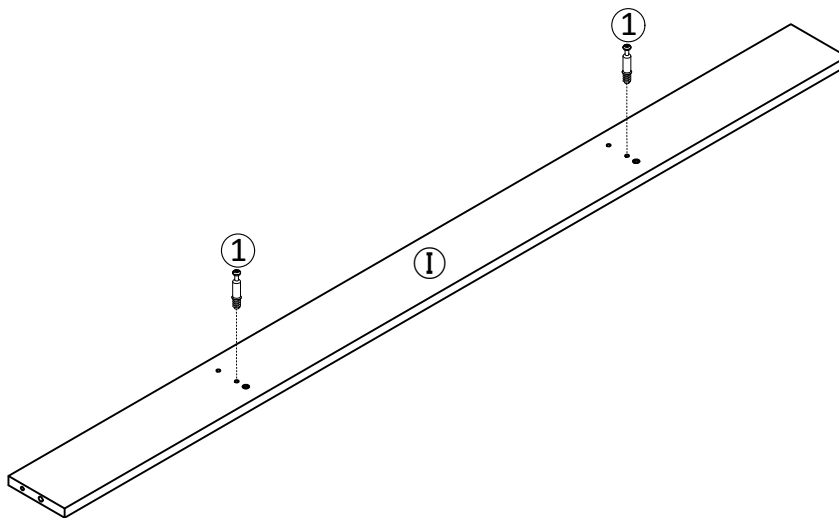


Assembly Step

Step 15

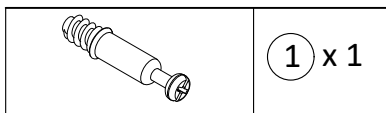
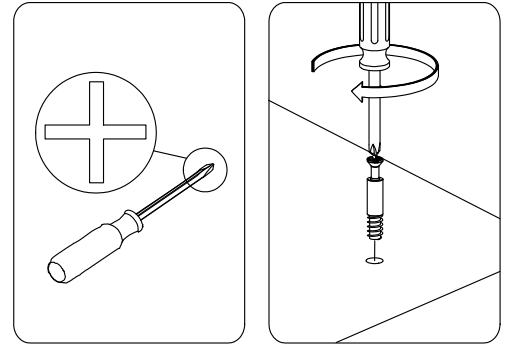
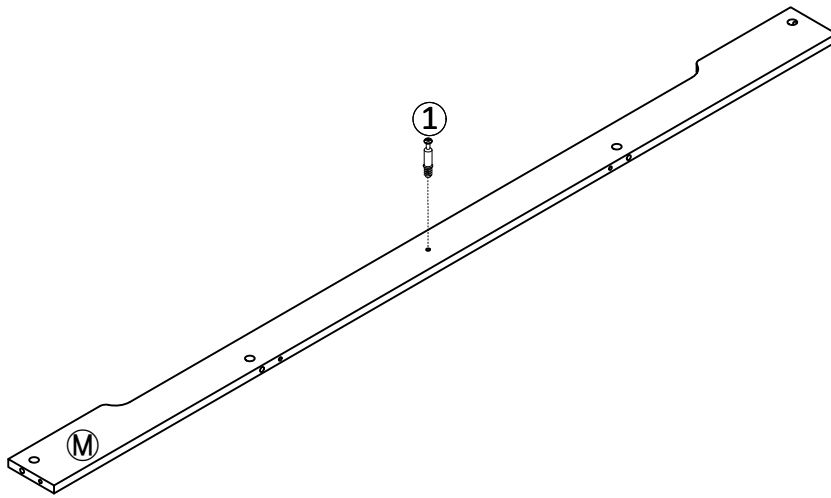


Step 16

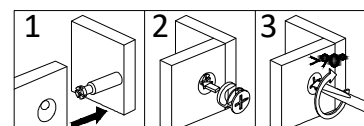
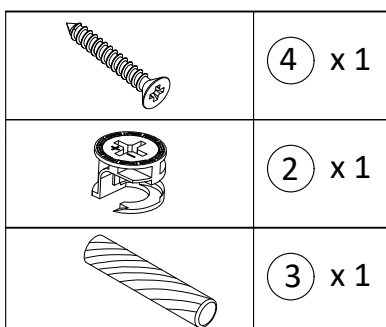
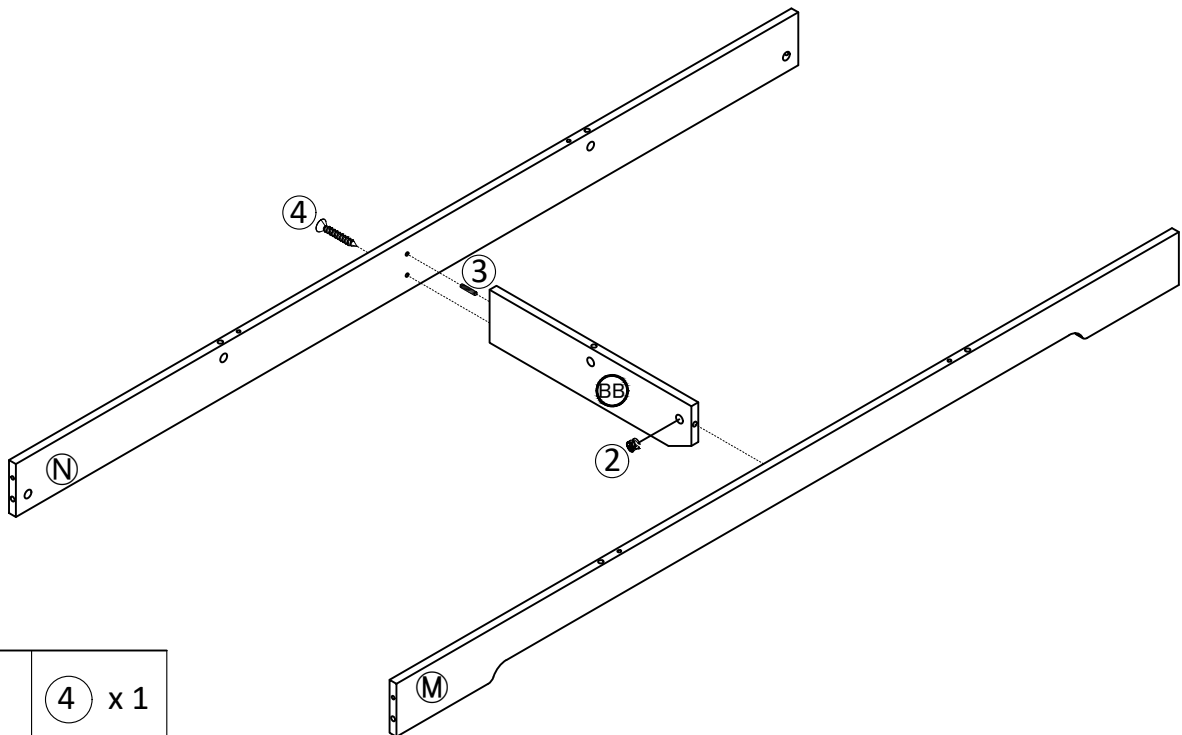


Assembly Step

Step 17

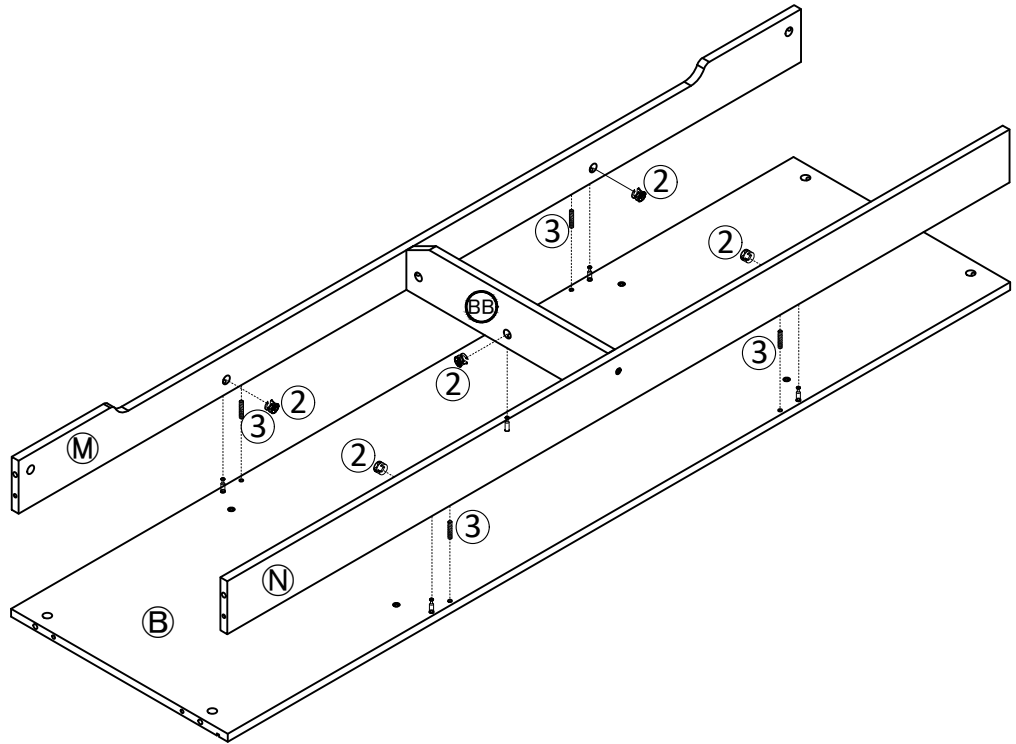


Step 18

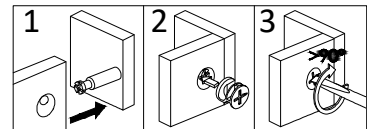


Assembly Step

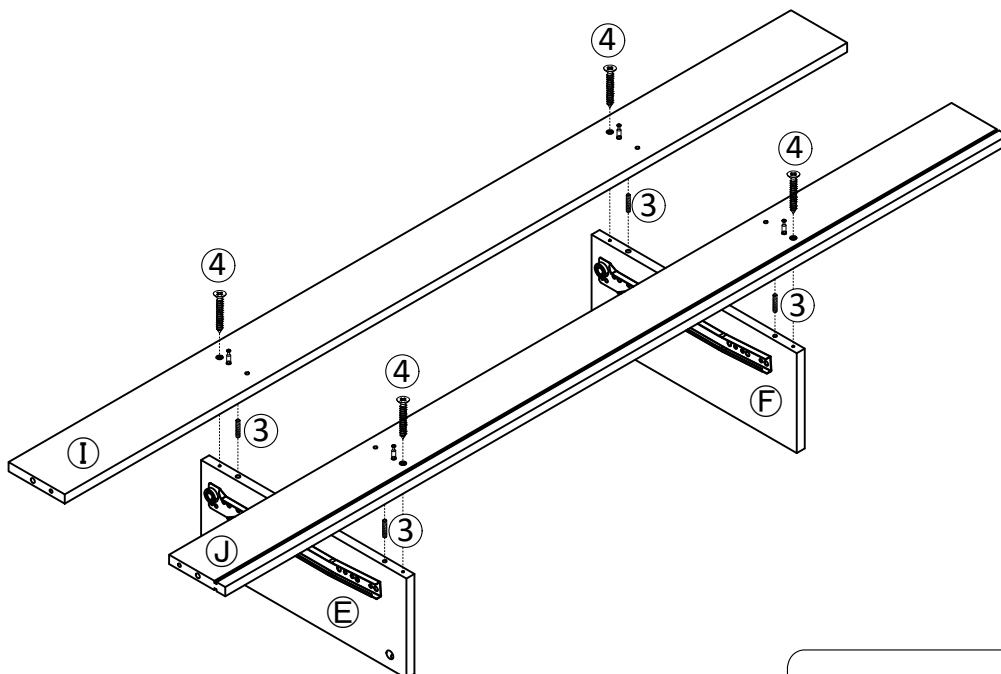
Step 19



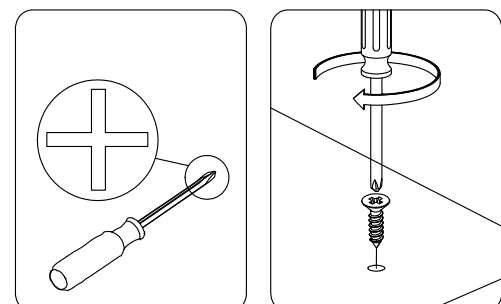
	2 x 5
	3 x 4



Step 20

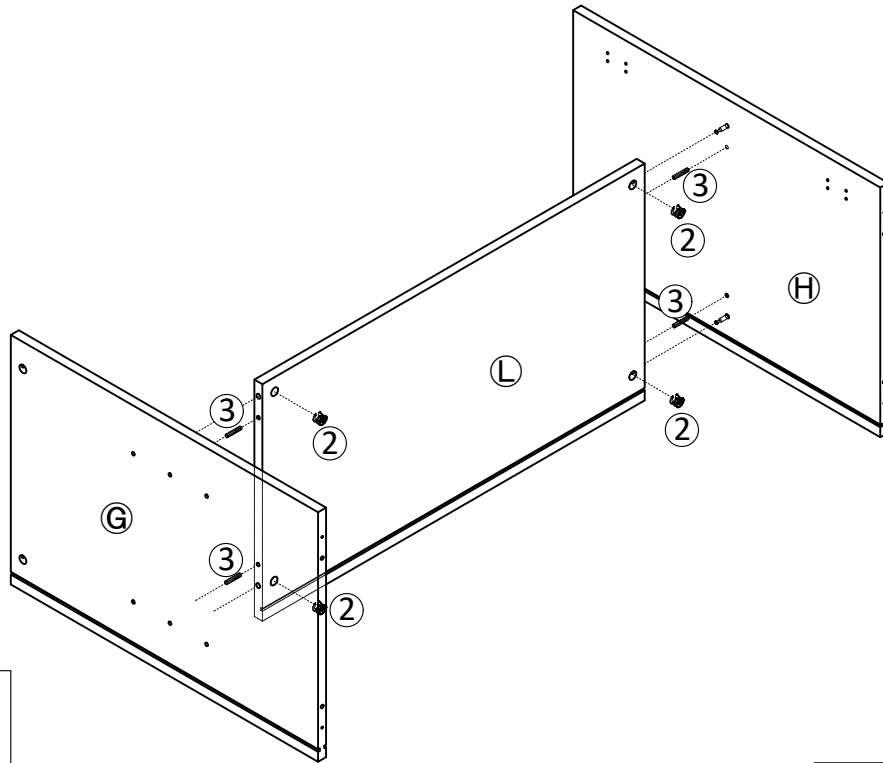


	4 x 4
	3 x 4

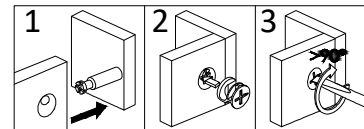


Assembly Step

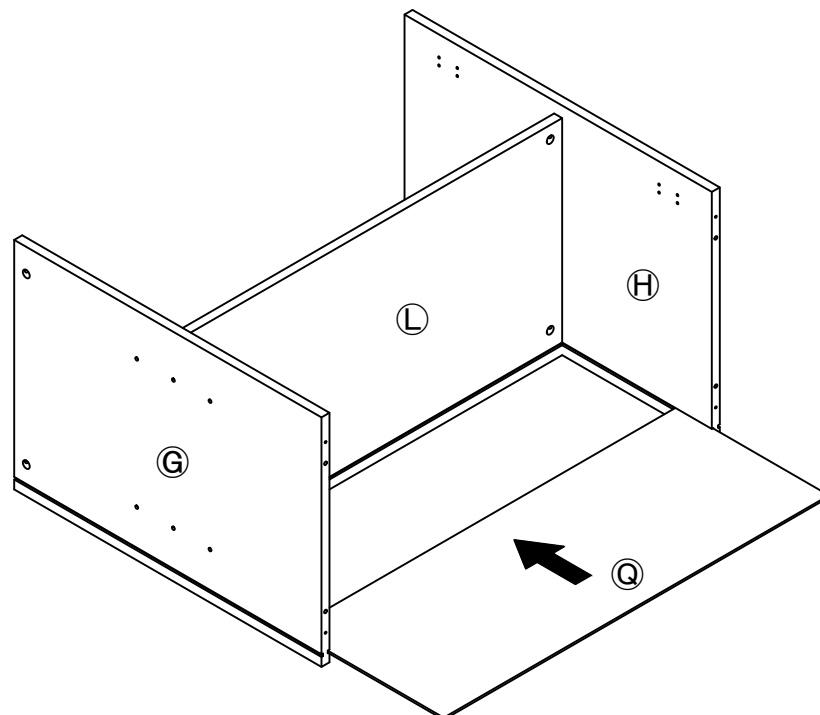
Step 21



	② x 4
	③ x 4

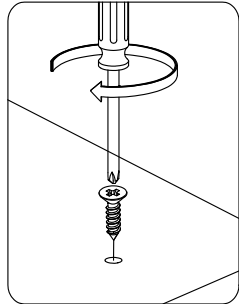
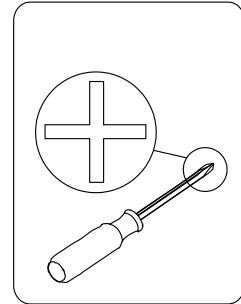
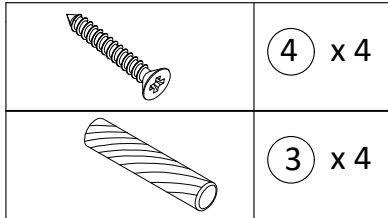
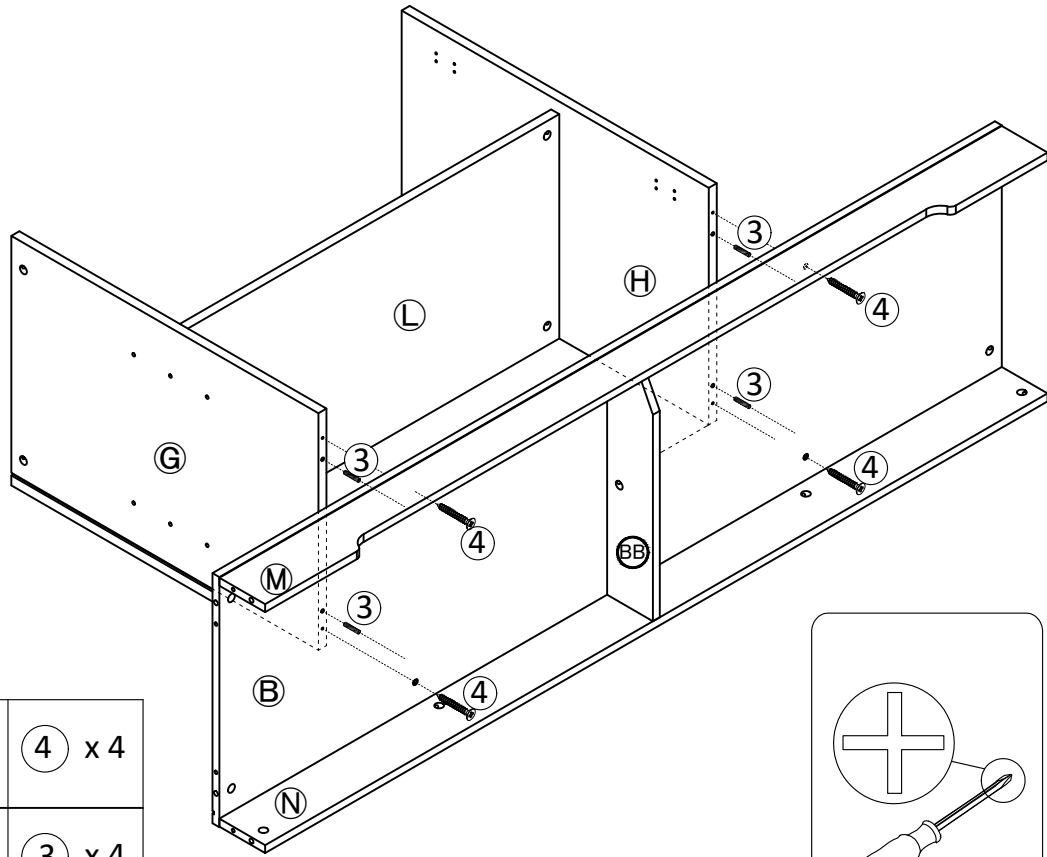


Step 22

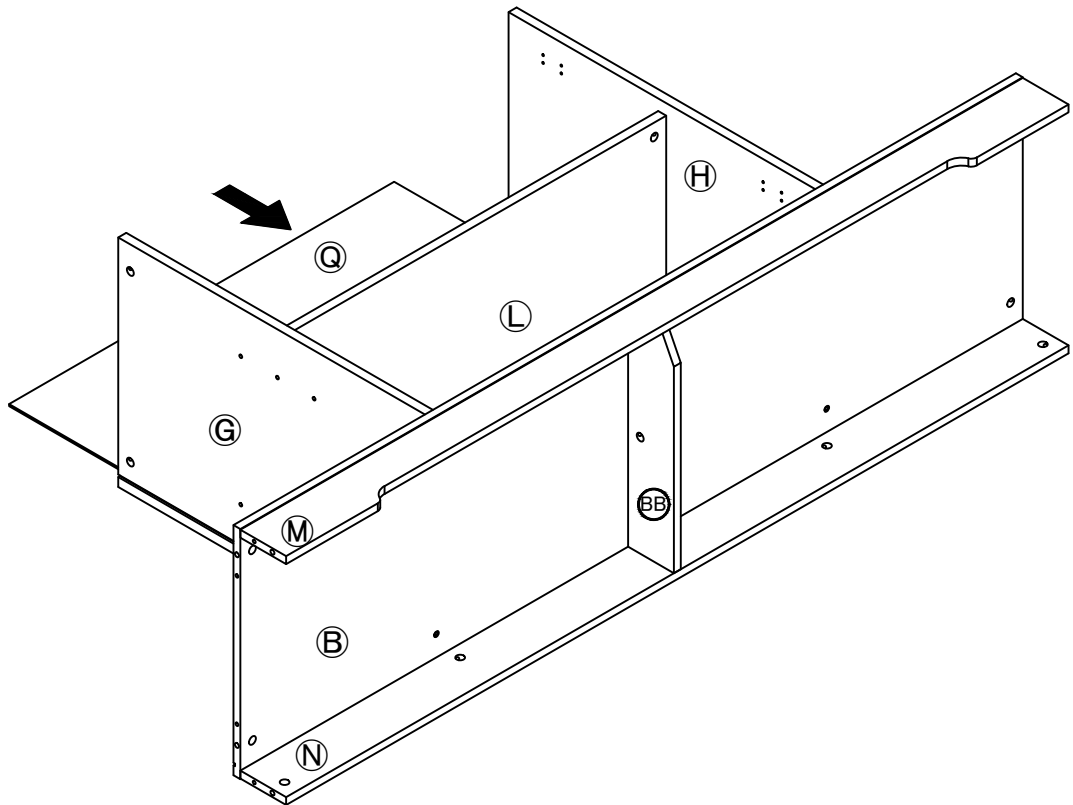


Assembly Step

Step 23

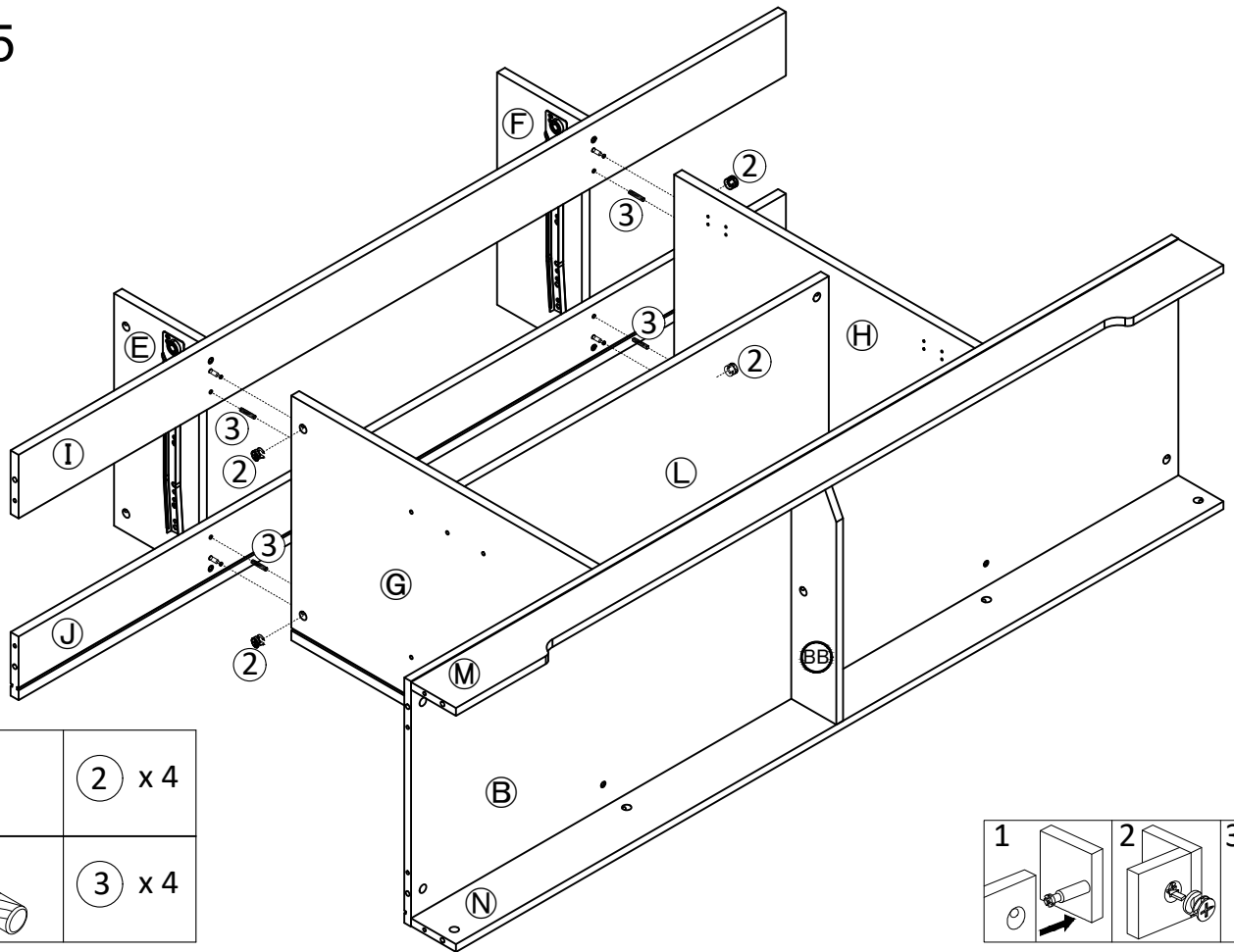


Step 24

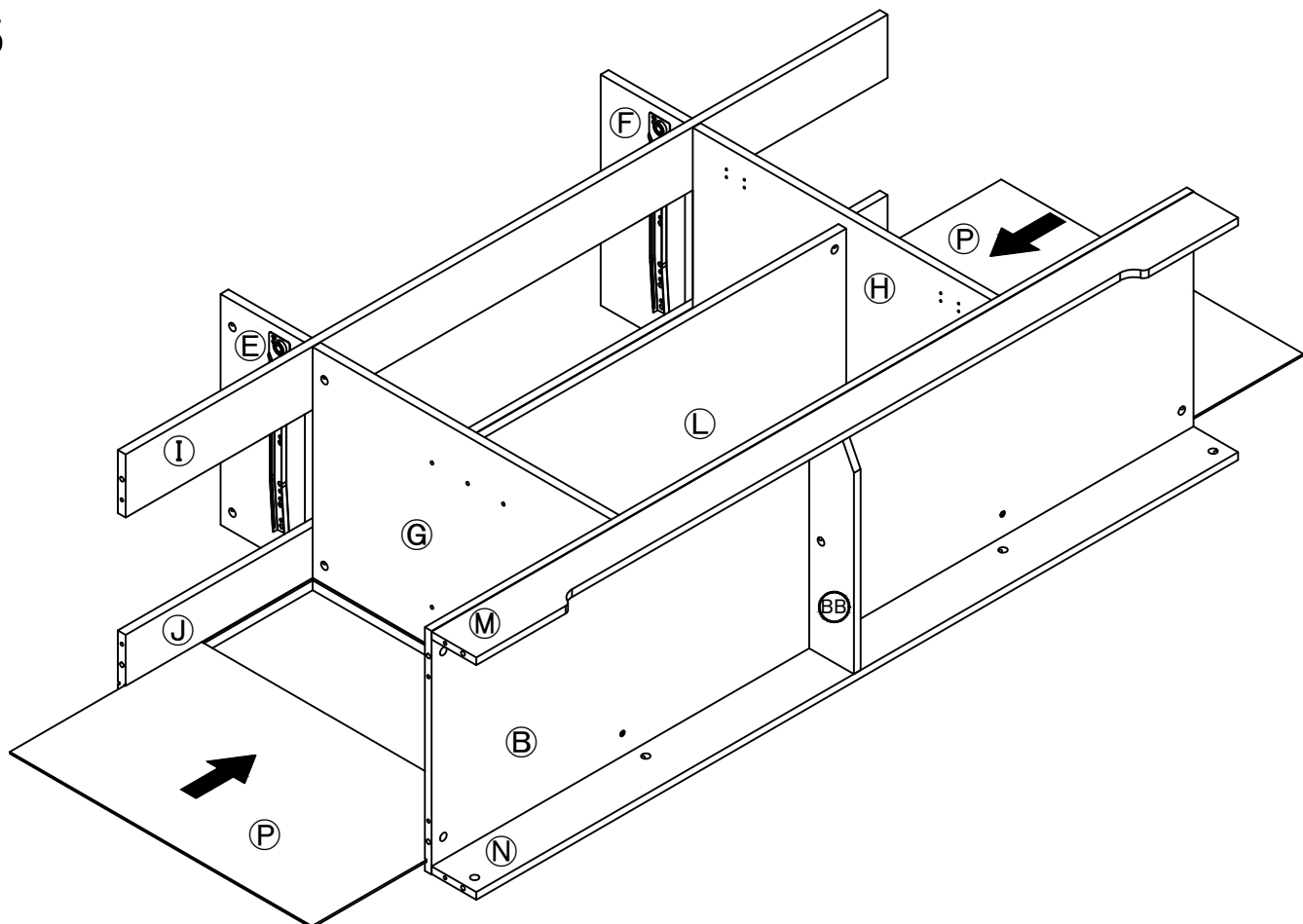


Assembly Step

Step 25

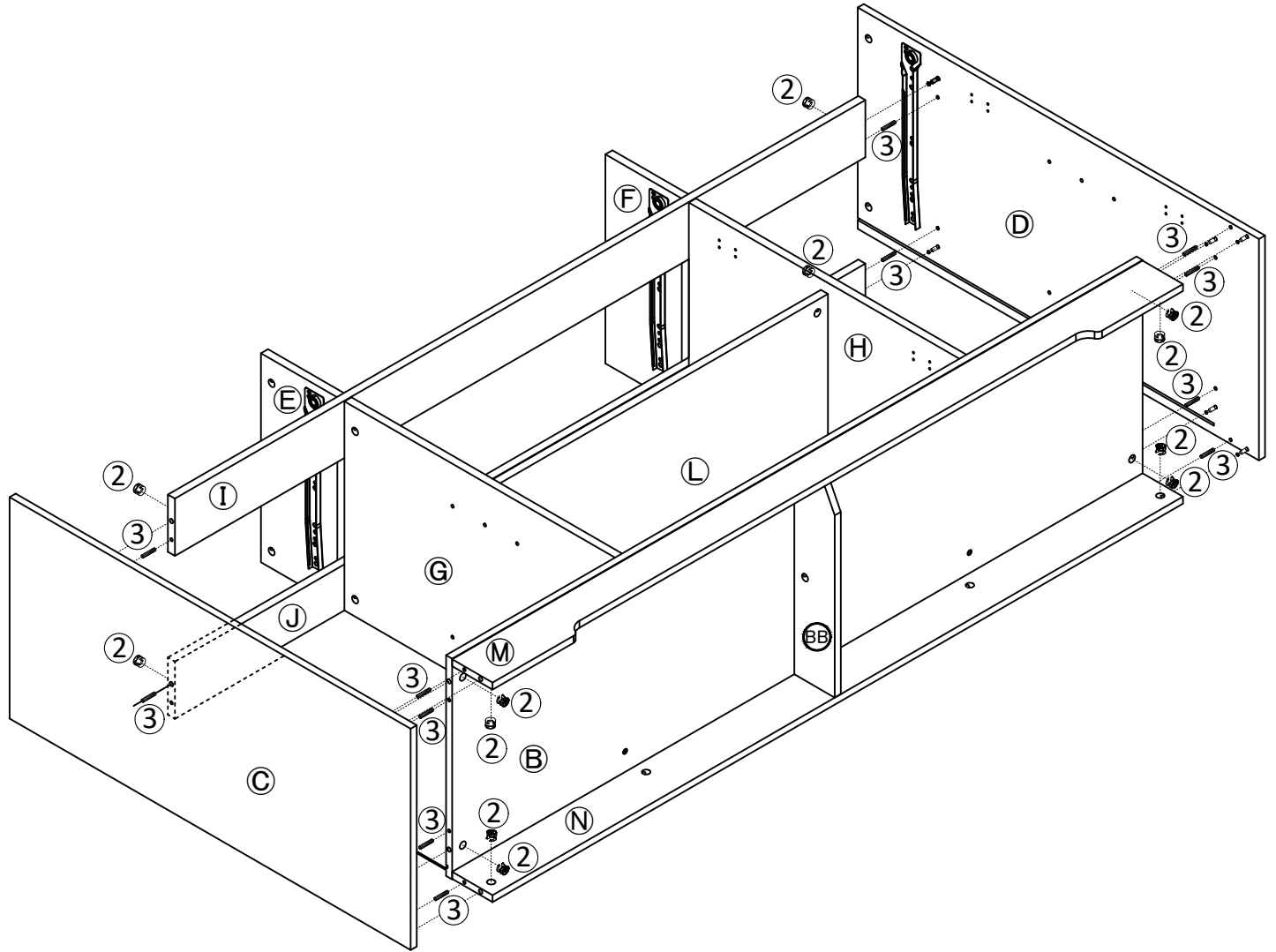



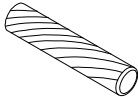
Step 26

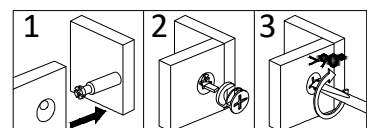


Assembly Step

Step 27

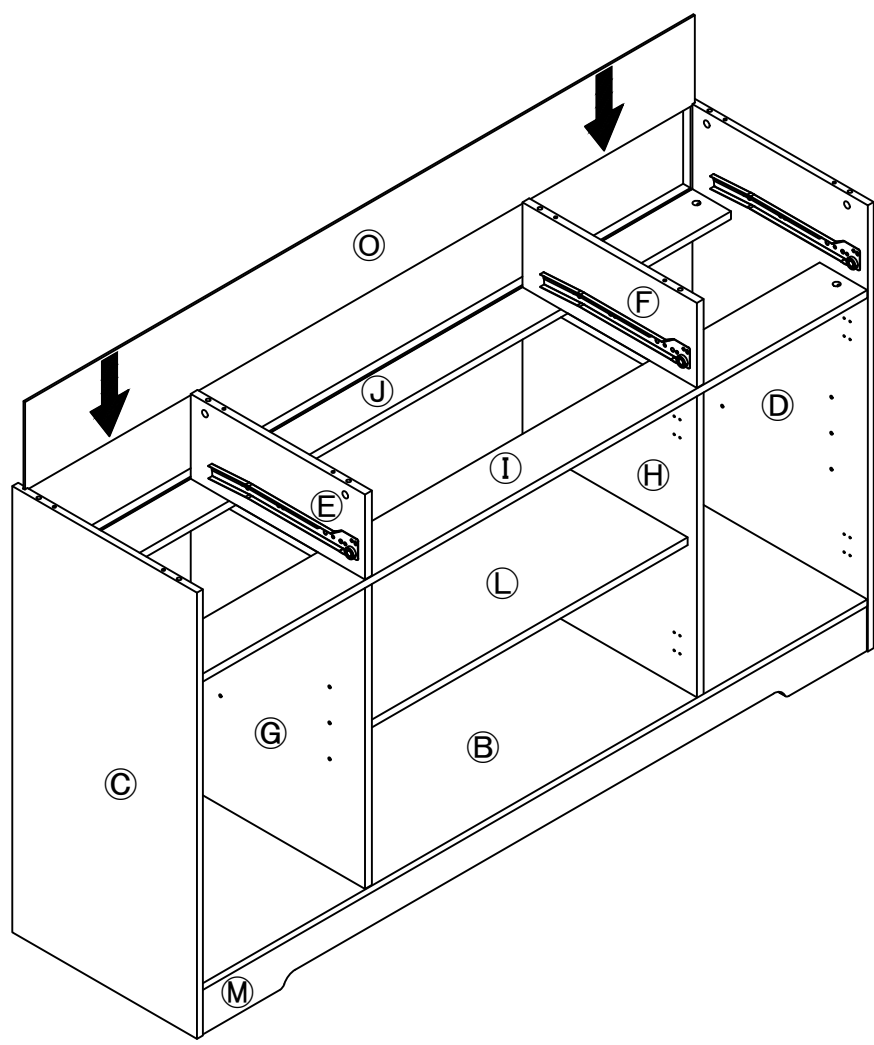


	2 x 12
	3 x 12



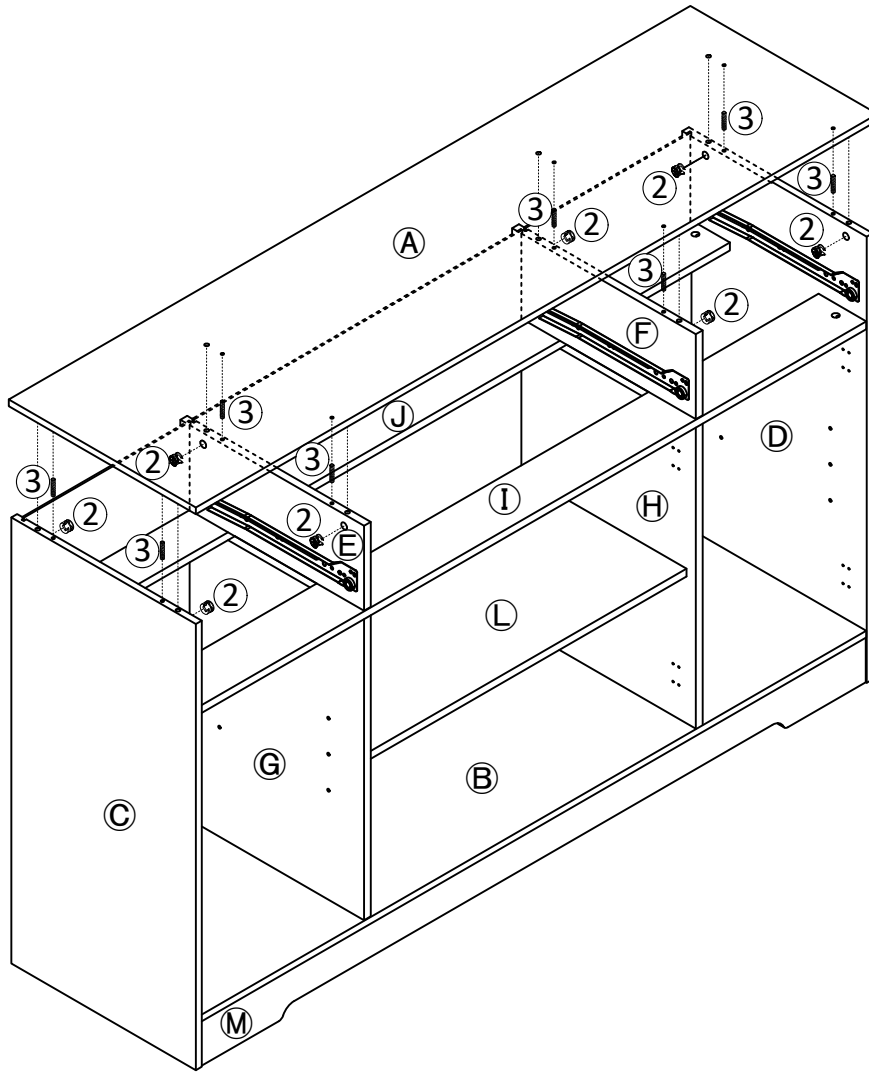
Assembly Step



Step 28

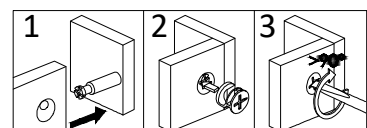


Assembly Step

Step 29

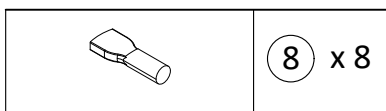
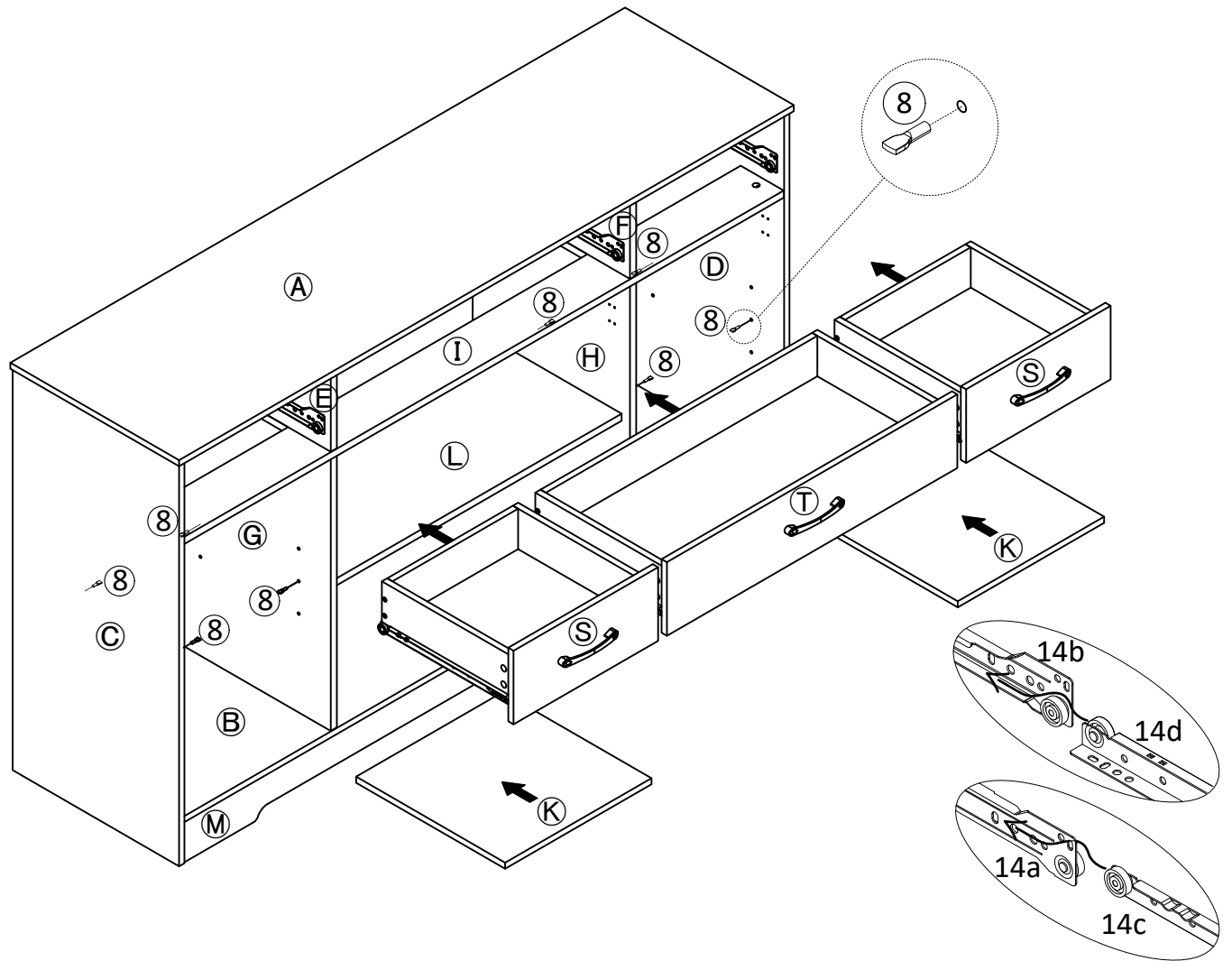


	② x 8
	③ x 8



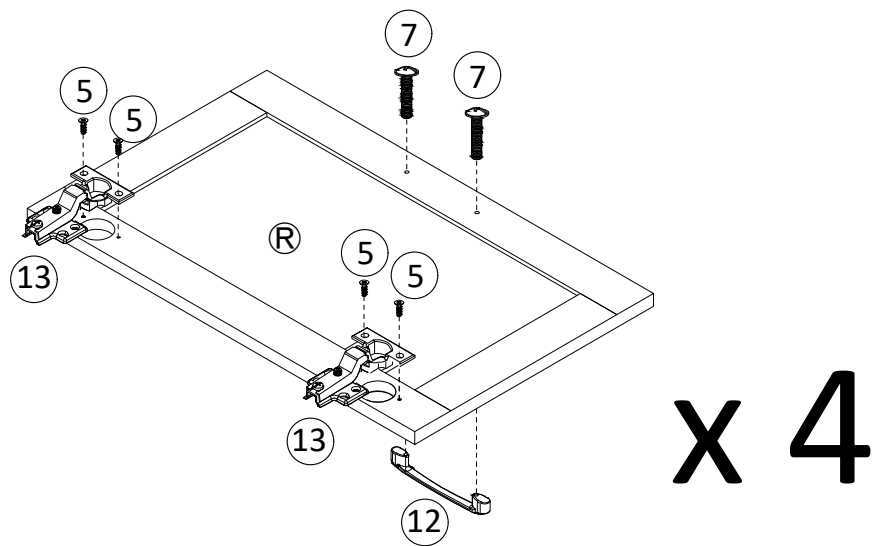
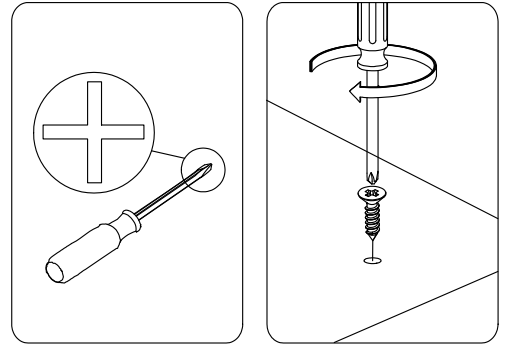
Assembly Step


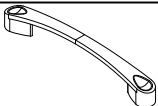

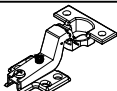
Step 30



Assembly Step

Step 31

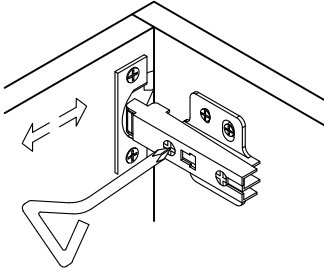


	⑦ x 8
	⑫ x 4
	⑤ x 16
	⑬ x 8

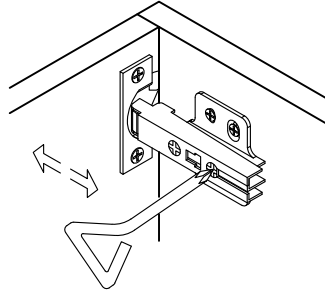
Assembly Step

Step 32

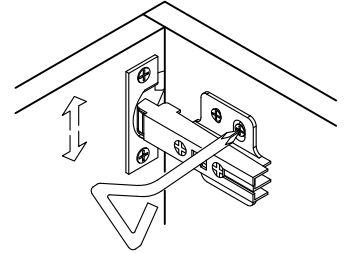
ADJUSTING POSSIBILITIES



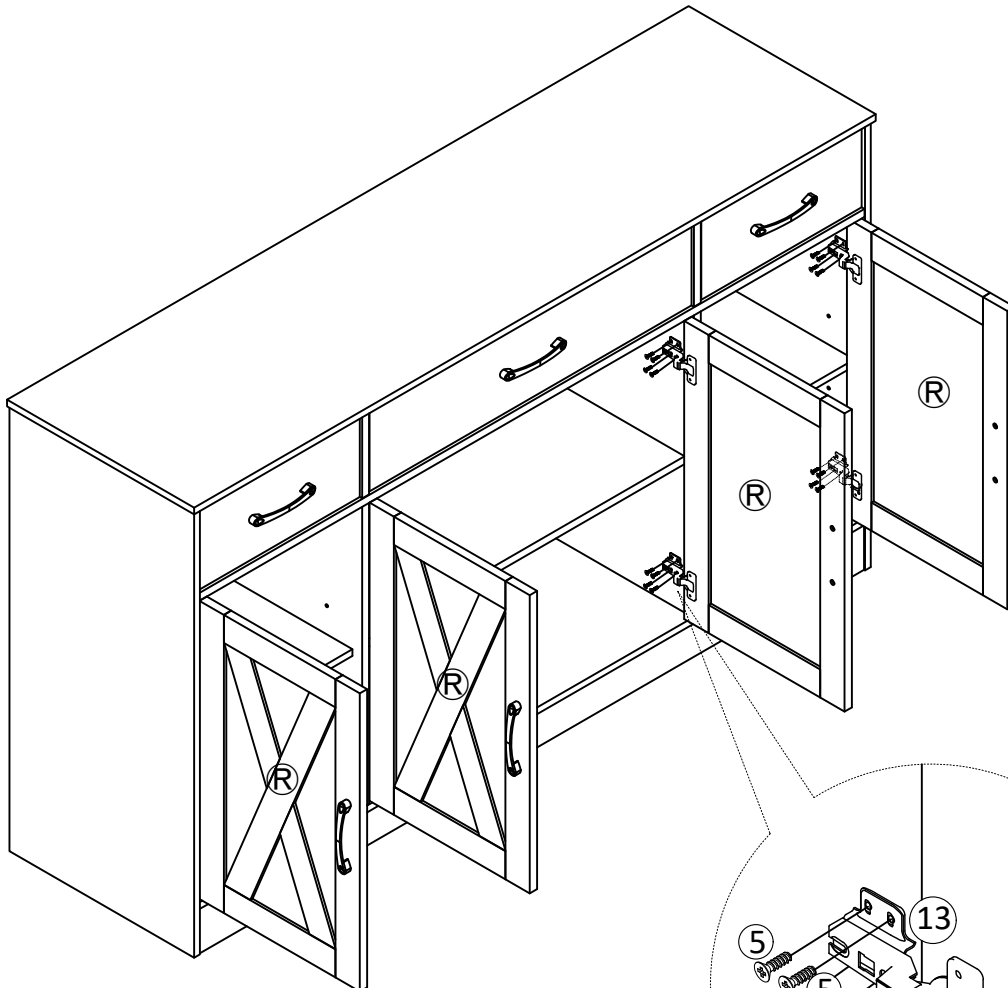
- LATERAL ADJUSTMENT BY SCREW ADJUSTMENT



- FRONT-TO-BACK BY SLACKENING THE HINGE-ARM MOUNTING SCREW



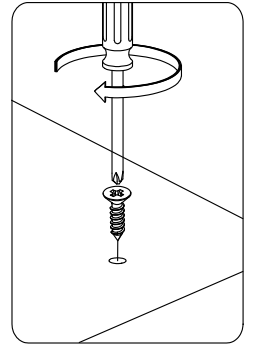
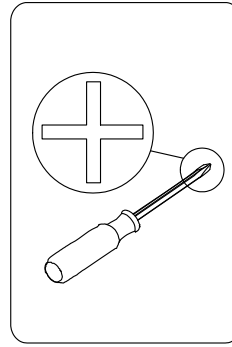
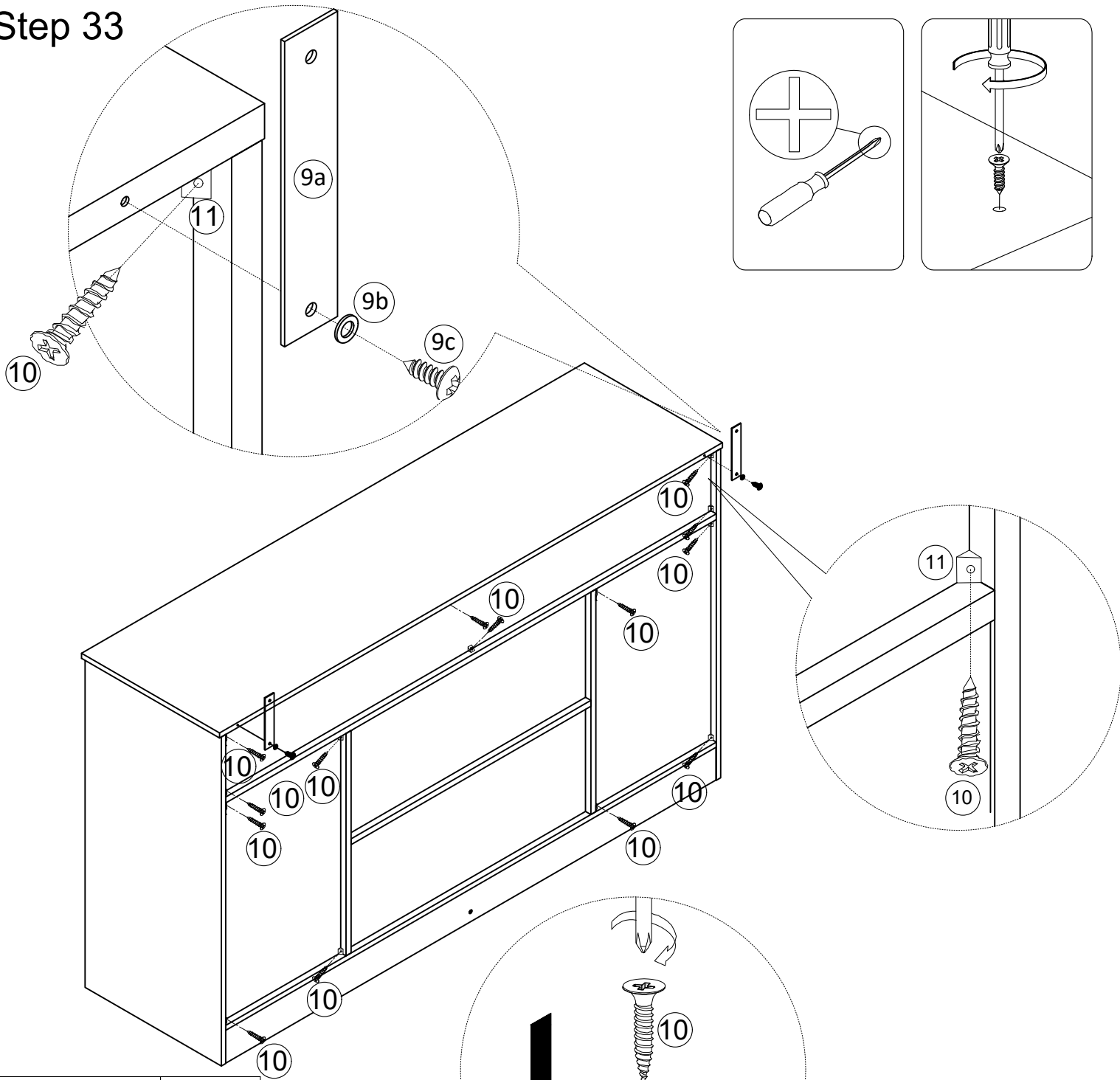
- VERTICAL ADJUSTMENT VIA MOUNTING PLATE (VIA SLOTS OR, IF IN TWO PIECES, BY SCREWS)





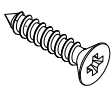


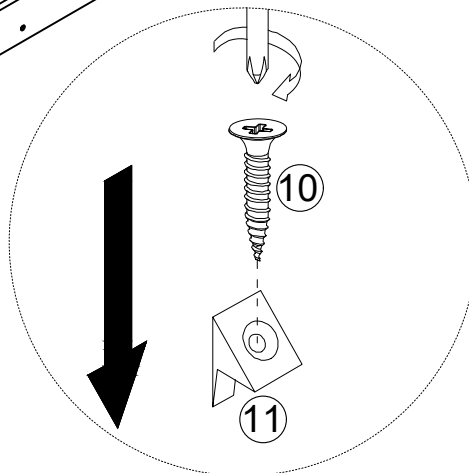
5 x 32

Assembly Step

Step 33

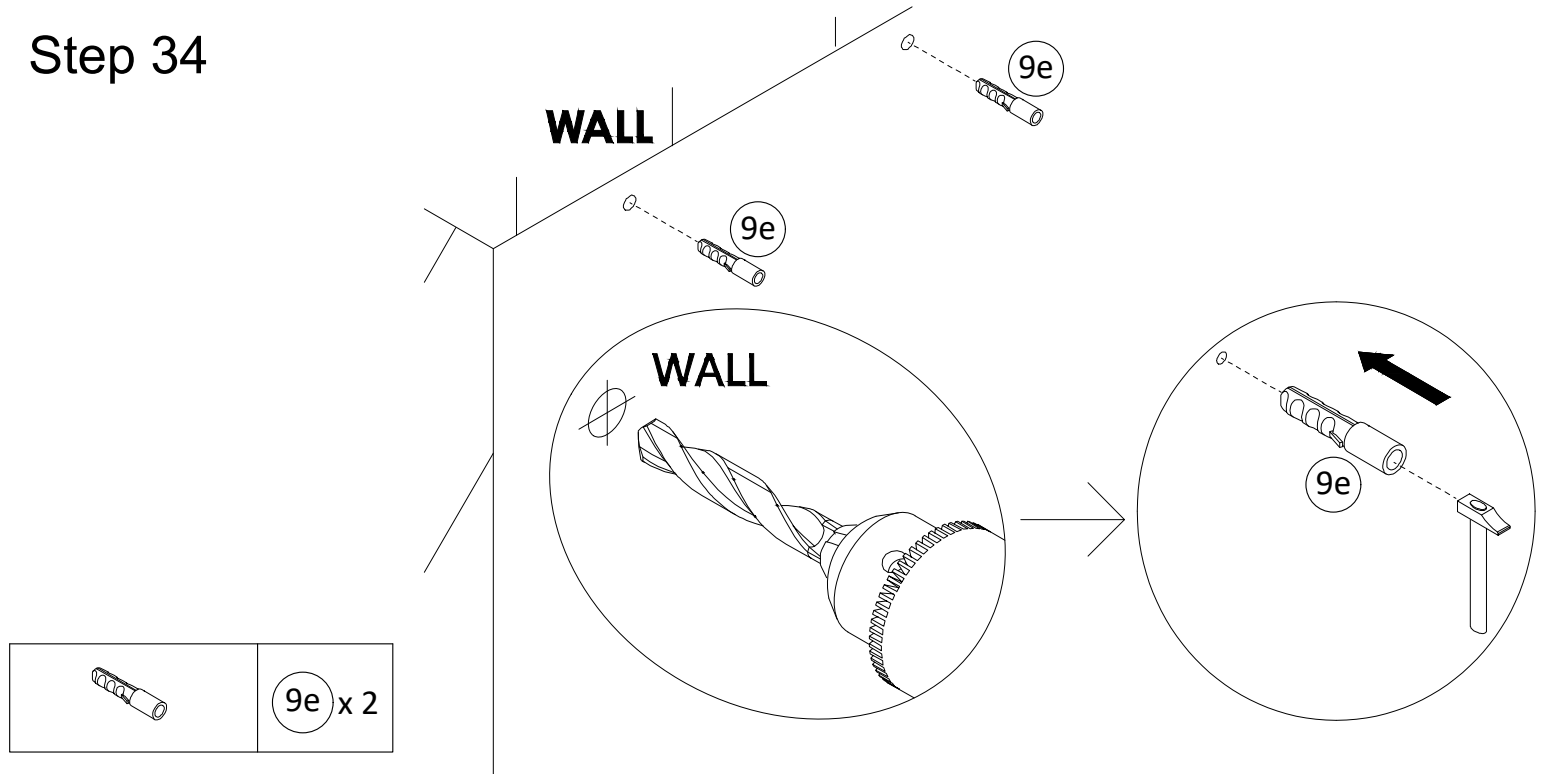


	9b x 2
	9a x 2
	9c x 2
	11 x 14
	10 x 14



Assembly Step

Step 34



Step 35

