

Lockable Under Desk Double Drawer

DESK-AC03L-2B Series
Assembly Manual

Individual Product SKUs

DESK-AC03L-2B DESK-AC03L-2W



WARNING



If you do not understand these directions, or if you have any doubts about the safety of the installation, please contact our product support team at 309-278-5303 or help@vivo-us.com for further assistance. Check carefully to make sure there are no missing or defective parts. Failure to report missing parts within 30 days may result in denial of free replacement. Improper installation may cause damage or serious injury. Do not use this product for any purpose that is not explicitly specified in this manual. Do not exceed weight capacity. We cannot be liable for damage or injury caused by improper mounting, incorrect assembly or inappropriate use.



WARNING: CHOKING HAZARD

SMALL PARTS - NOT FOR CHILDREN UNDER 3 YEARS. ADULT SUPERVISION IS REQUIRED.



DO NOT EXCEED WEIGHT CAPACITY

FAILURE TO DO SO MAY RESULT IN SERIOUS INJURY.

Need Help? We're Here For You

US-Based Customer Support from Trained Professionals

Monday-Friday from 7am-7pm CST

Saturday 8am-4pm CST



Email Us

help@vivo-us.com



Chat with Live Agent

www.vivo-us.com



Give Us a Call

309-278-5303 ext. 1



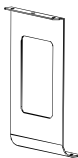
Assembly Video & Product Info

www.vivo-us.com/products/desk-ac03l-2b

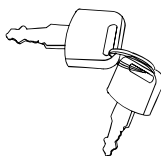
Package Contents



A (x1)
Drawer Set



B (x2)
Mounting Bracket



C (x1)
Key Set

Included Hardware & Tools



S-A (x6)
M6x10mm
Screw



S-B (x6)
ST5x16mm
Screw



S-C (x6)
Washer



T-A (x1)
Template

Tools Needed:



**Phillips
Screwdriver**



Pencil



Drill

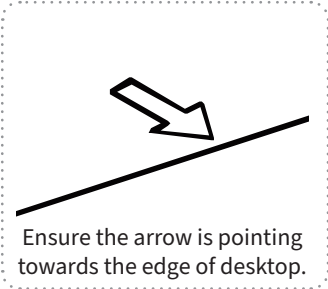
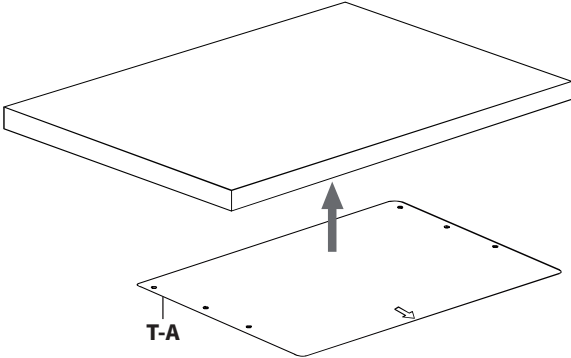
Weight Capacity:



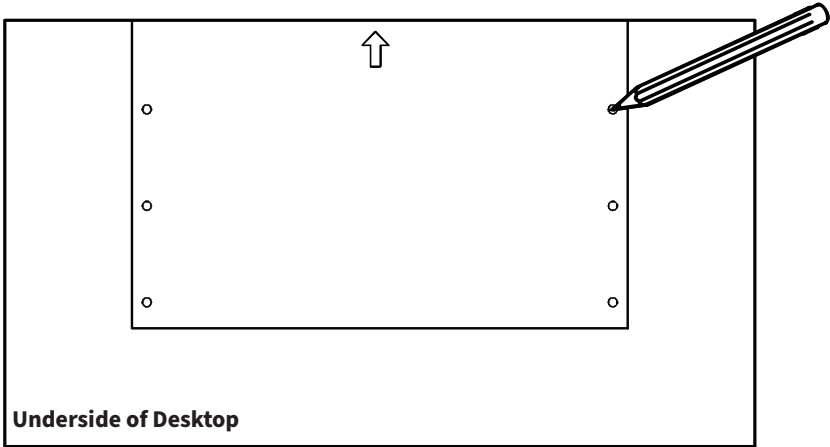
Assembly Steps

STEP 1

Align Template (T-A) along the underside of desktop.

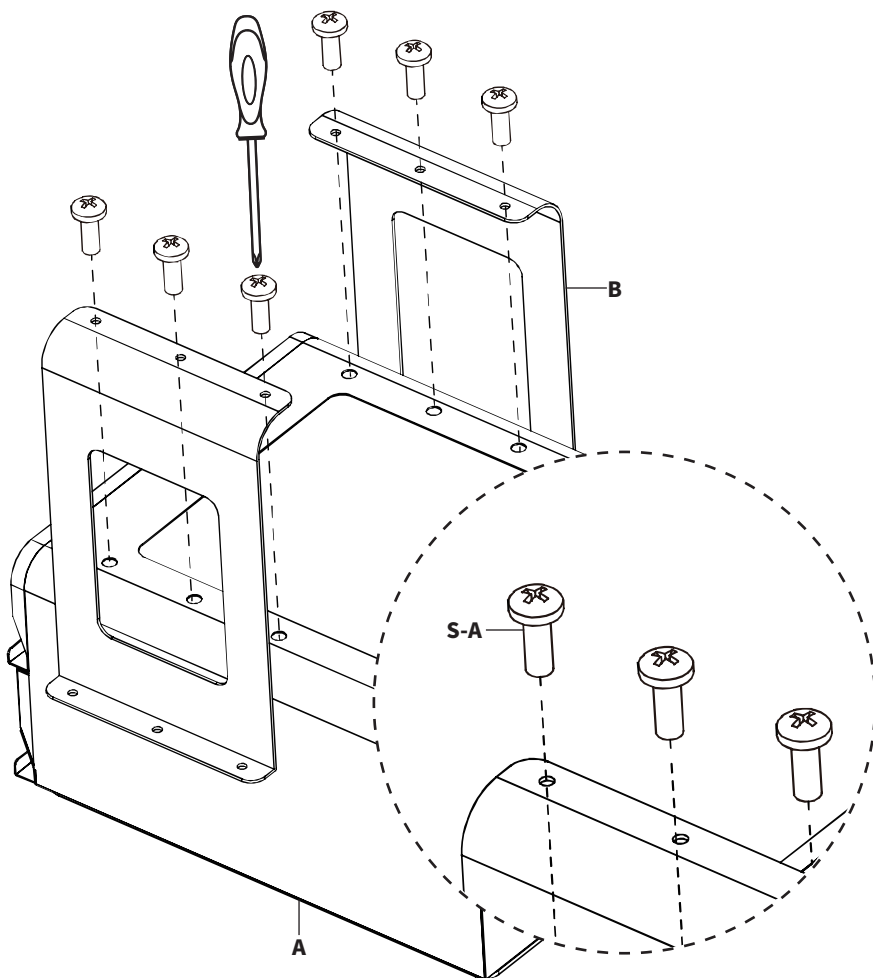


Mark drilling locations using a pencil.



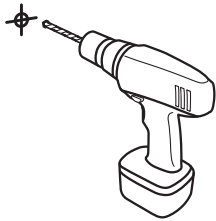
STEP 2

Connect Mounting Brackets (**B**) to the bottom of Drawer Set (**A**) using M6x10mm Screws (**S-A**) and a Phillips screwdriver.



Pre-Drilling Instructions

Drill mounting holes using illustration shown



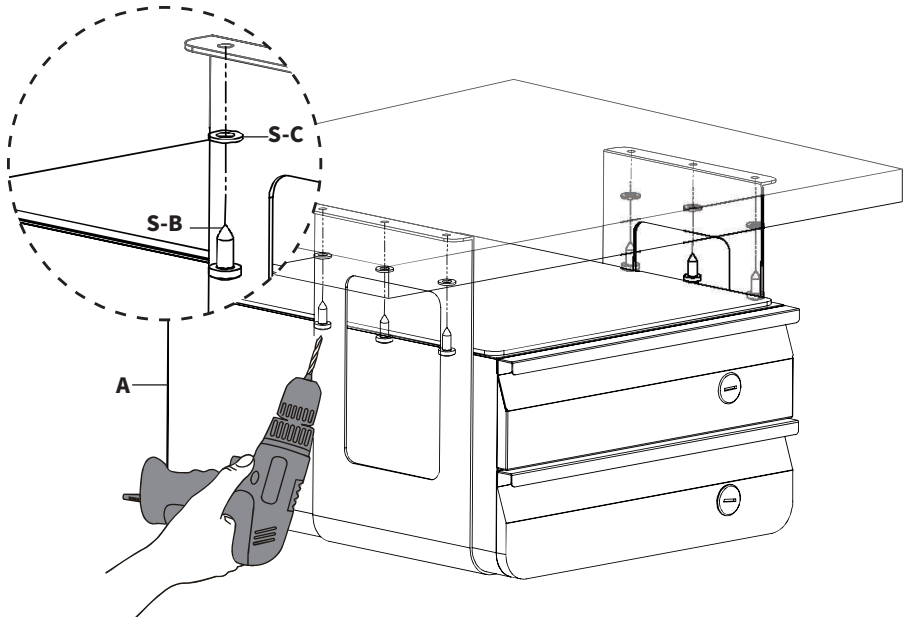
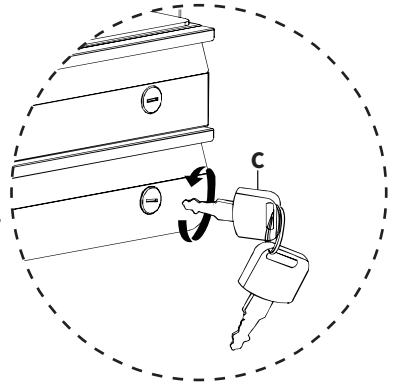
Drill Bit: 1/8" (3mm)



Hole Depth:
3/8" (10mm)

Mount the Drawer Set **(A)** to the desktop using ST5x16mm Screws **(S-B)**, Washers **(S-C)** and a Drill or Phillips screwdriver.

Locking both Drawers using Key Set **(C)** may aide in mounting. ★



V·I·V·



Love Your New Setup?
Tag Us on Social!



@VIVO-us



@vivo_us



@VIVOus



VIVO



Need Help? **We're Here For You**

Monday-Friday from 7am-7pm CST
Saturday 8am-4pm CST



Email Us
help@vivo-us.com



Chat with Live Agent
www.vivo-us.com



Give Us a Call
309-278-5303 ext. 1



VIVO-us



@vivo_us



@VIVOus



VIVO