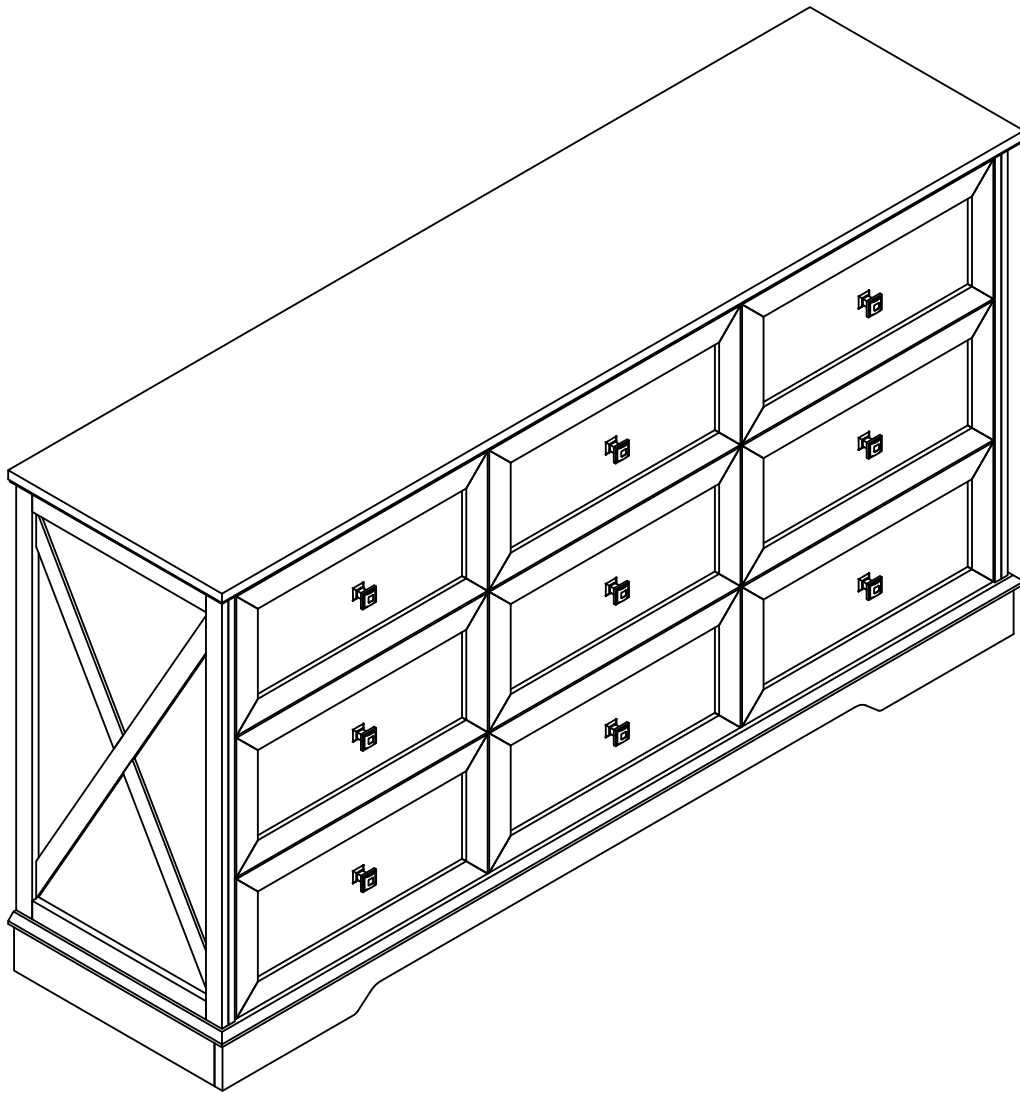
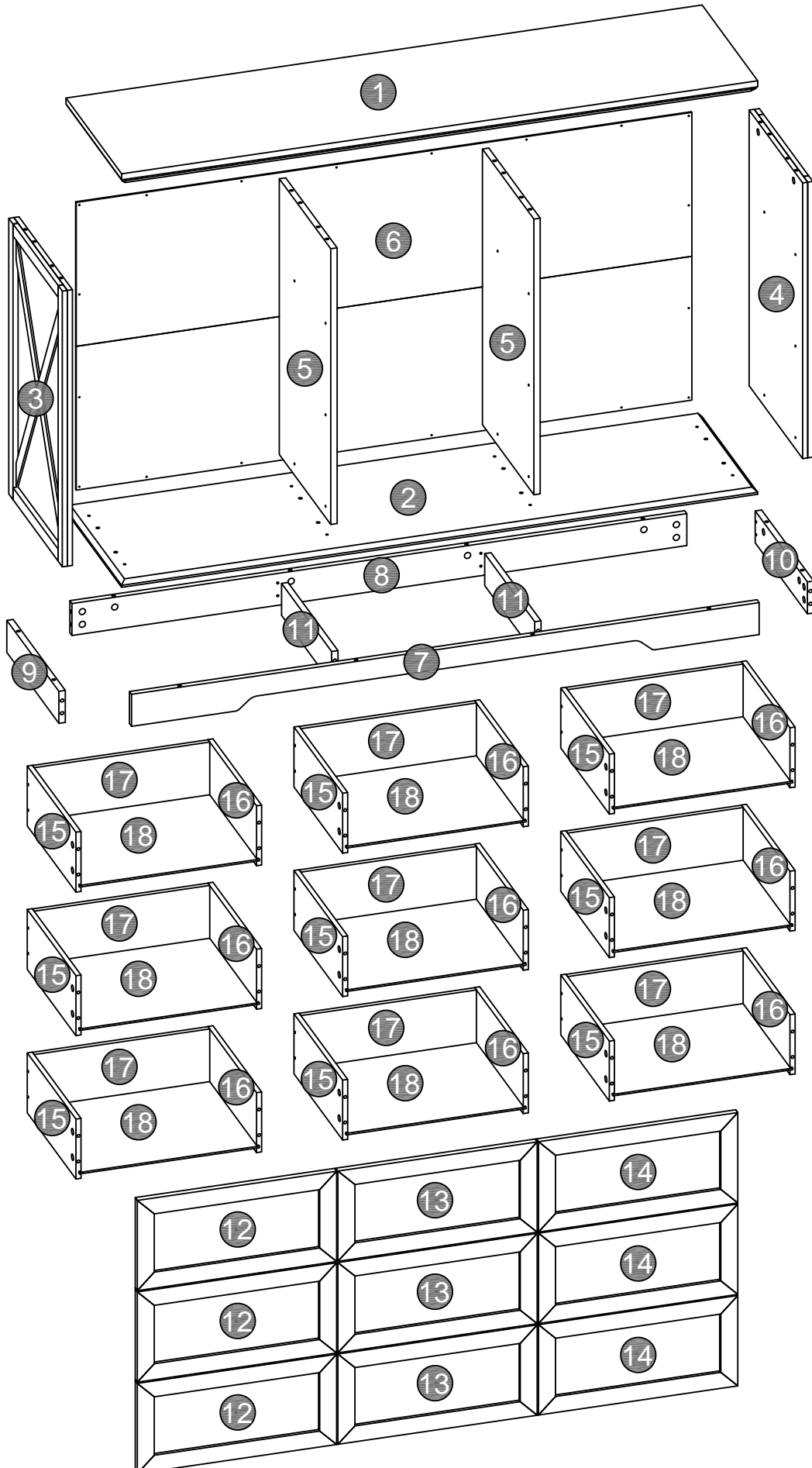


Chest of Drawers Assembly Instruction

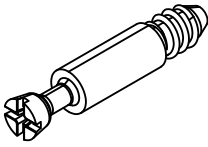

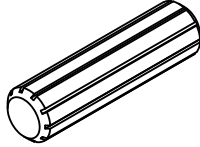
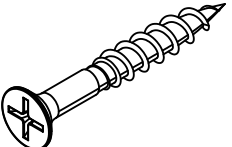
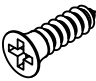
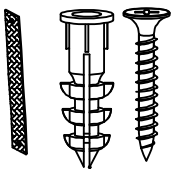
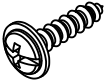
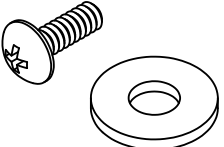
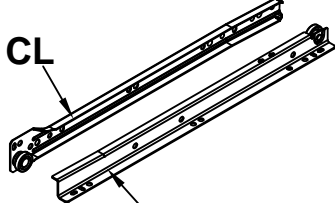
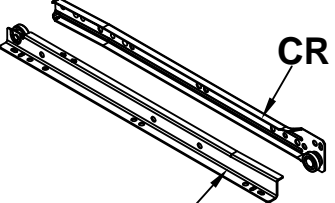
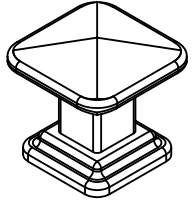
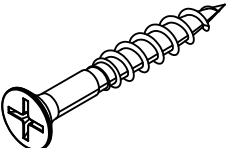


PACKAGE INCLUDE

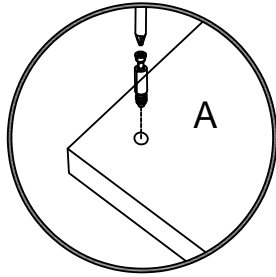
STRUCTURE FOR REFERENCE TO ASSEMBLY



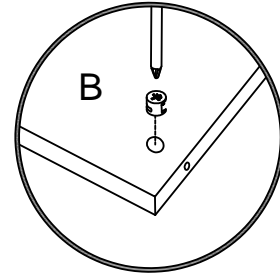
PACKAGE CONTENT

 <p>A 70x+1</p>	<p>Ø15x9MM</p>  <p>B 70x+1</p>	<p>Ø8x30MM</p>  <p>C 16x+1</p>	<p>Ø3.5x35MM</p>  <p>D 36x+1</p>
<p>Ø3.5x12MM</p>  <p>E 72x+1</p>	 <p>F 2x</p>	<p>Ø3x16MM</p>  <p>G 24x+1</p>	<p>M4x10MM</p>  <p>H 9x</p>
<p>14"</p>  <p>I 9x</p>	<p>14"</p>  <p>I 9x</p>	 <p>J 9x</p>	<p>Ø4x40MM</p>  <p>K 8x+1</p>

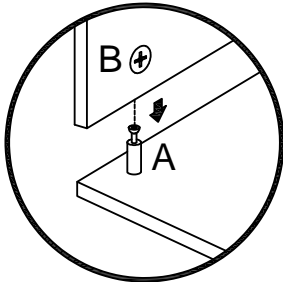
How to use the cam lock system



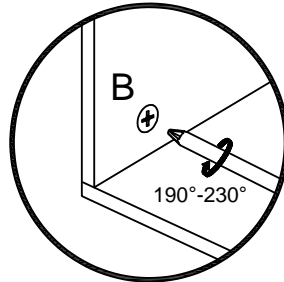
1. Screw cam bolt into panel



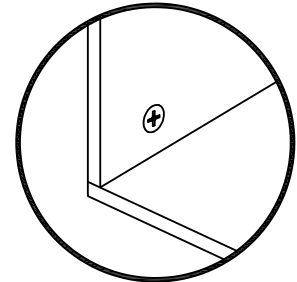
2. Push cam into panel - arrow feature on cam top points to panel edge



3. Align cam bolt(s) with cam(s) and insert all the way into cross-bored hole(s)

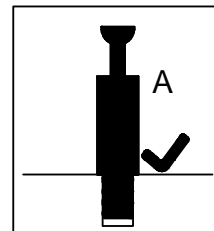
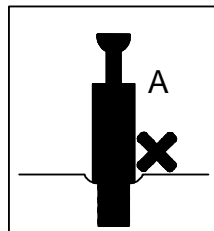
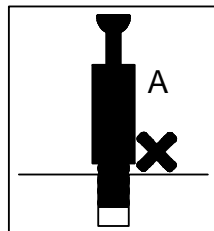
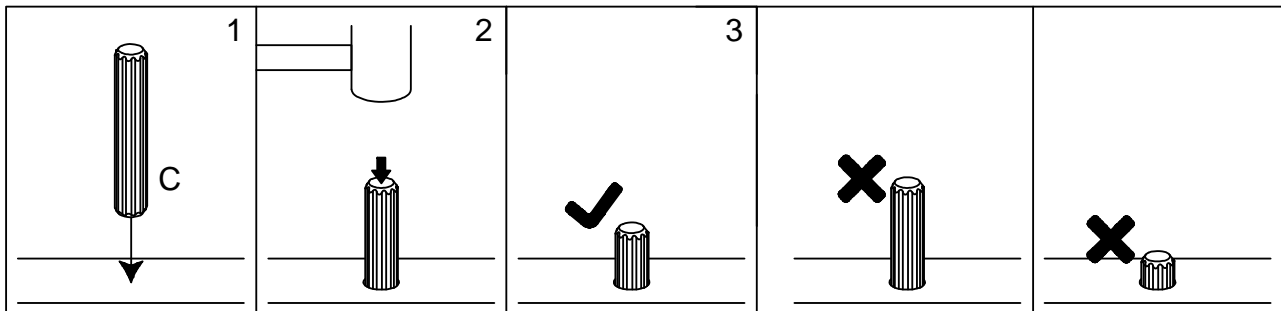


4. Rotate cam(s) clockwise 190°-230° to lock panels together



5. Panels should be tight against each other and connection should be rigid

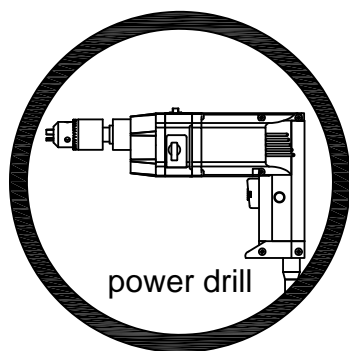
Insert the wood dowel [C] at least half way by tapping lightly with a rubber mallet, IF NECESSARY.



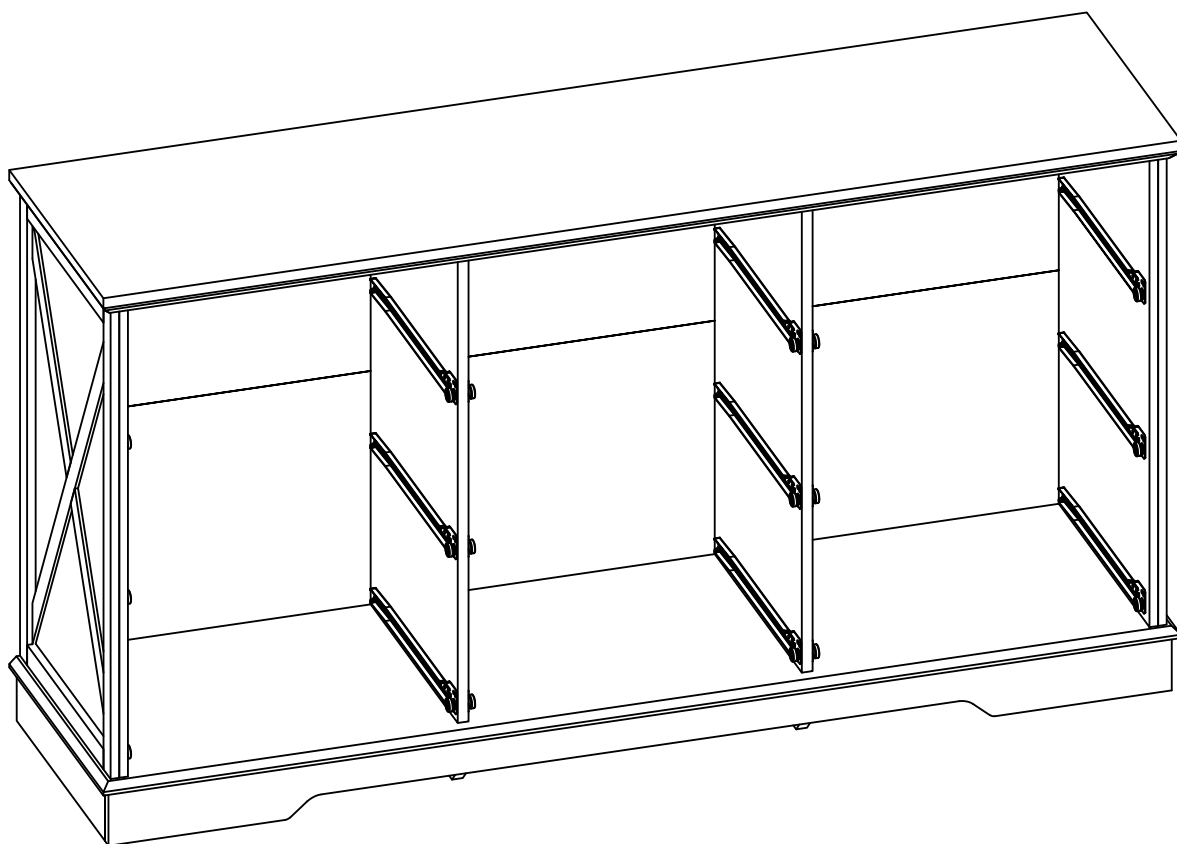
WARNING

- Unit must be placed on a level surface or leveled with included hardware (when applicable).
- Do not sit or stand on or allow children to climb, sit or stand on the assembled product.
- For safety reasons, it is imperative that this unit be mounted to the wall.
- Do not use without installing the tip restraint.
- Unit can tip over causing severe injury or death.
- Do not exceed the recommended weight limits.
- Evenly distribute the weight on each level and always keep the heavier loads on the bottom.
- Before cutting, drilling or hammering into any wall or floor surface, verify the location of electrical, plumbing and gas lines. Cutting may cause serious injury.

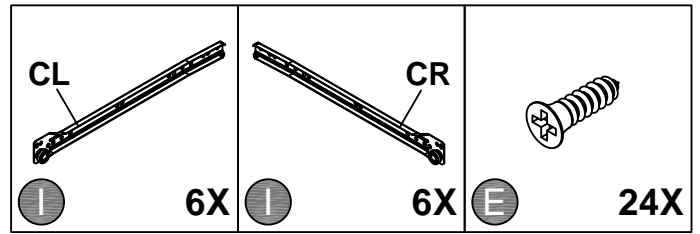
You are now ready to assemble the dresser



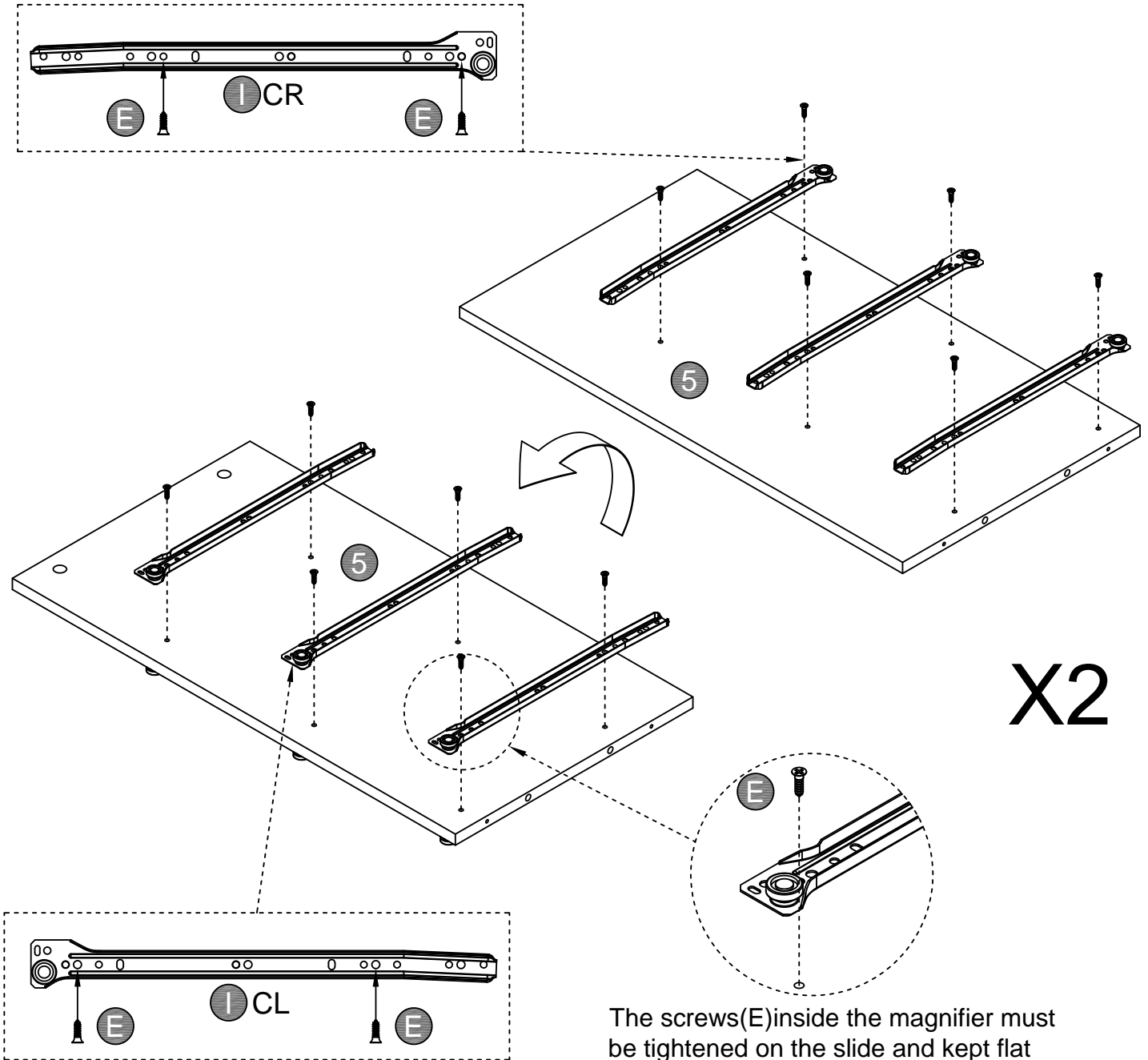
We recommend using a power drill to assemble.



STEP 1

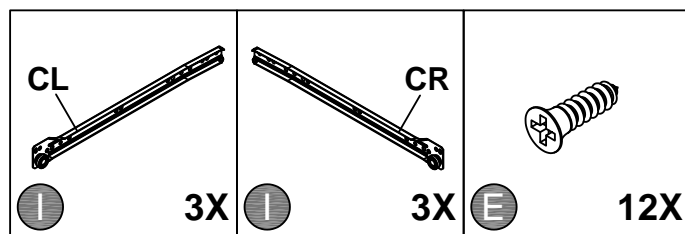


- Install the drawer slides (I) on the left side panel (3).NOTE:When you screw the screws, please refer to the illustration carefully to make sure that the slide screws correspond to the position.
- Install the drawer slides(I)on the right side panel(4).NOTE:When you screw the screws, please refer to the illustration carefully to make sure that the slide screws correspond to the position.



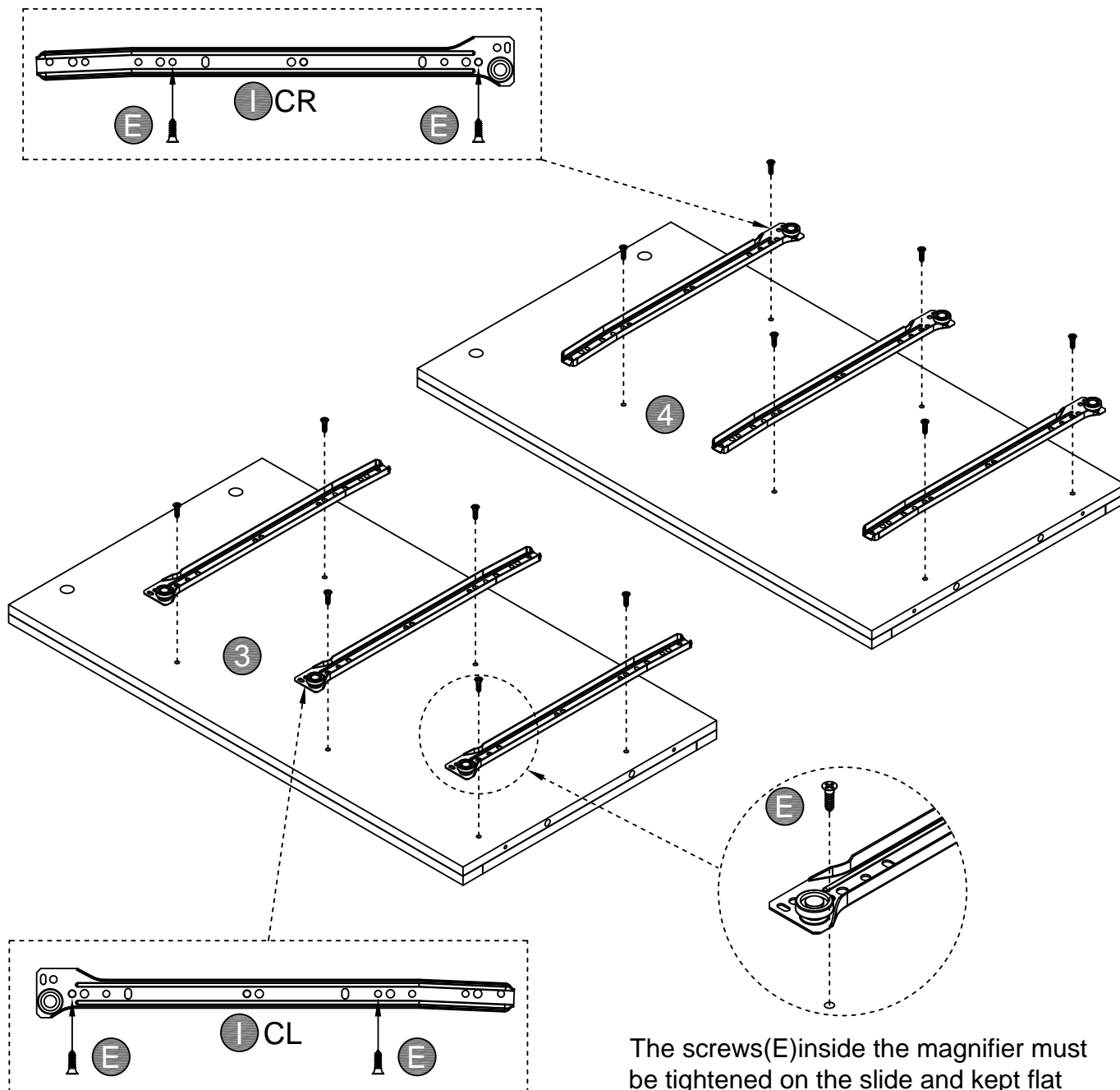
The screws(E)inside the magnifier must be tightened on the slide and kept flat

STEP 2



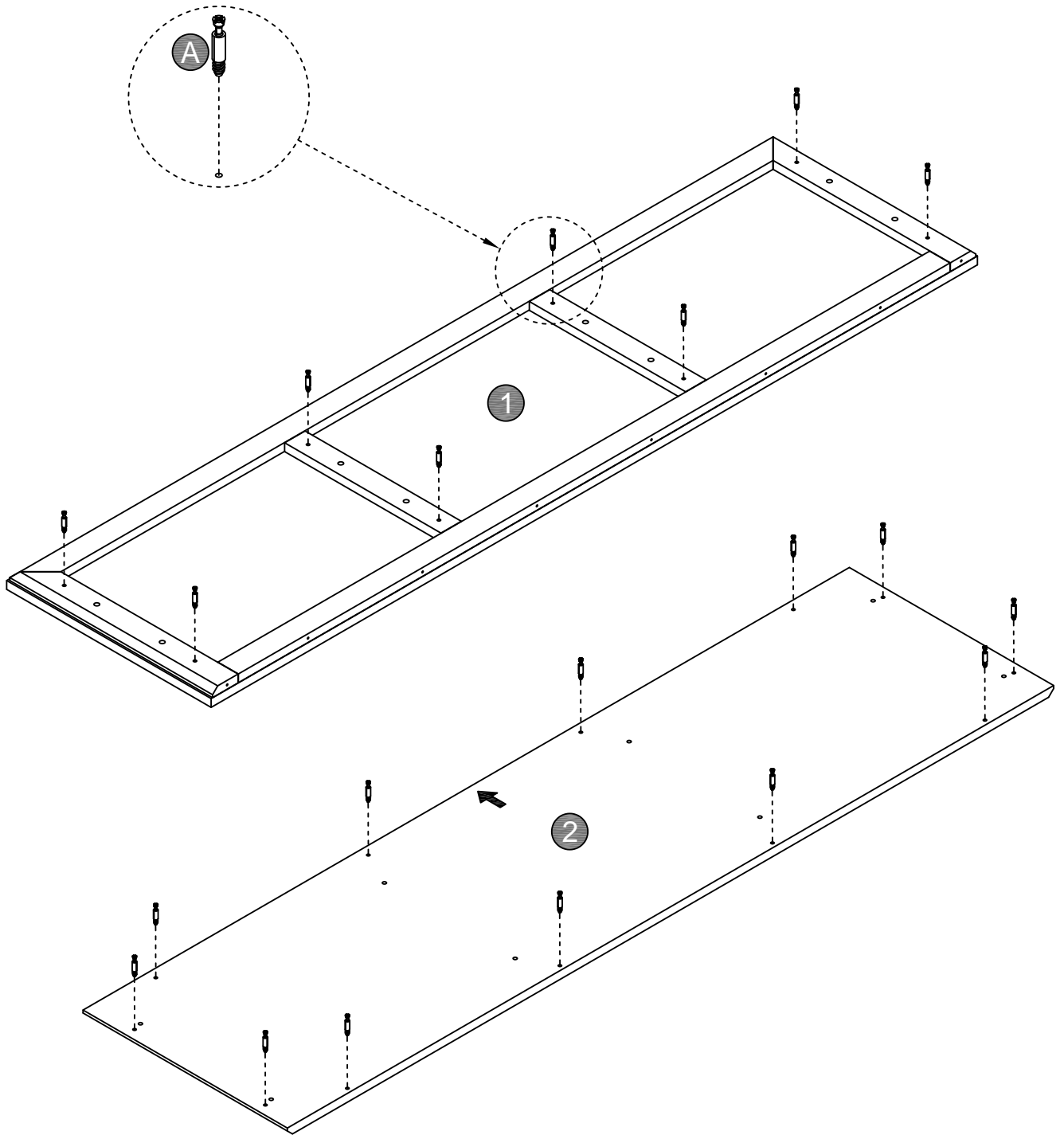
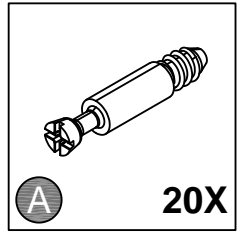
-Install the drawer slides (I) on the left side panel (3).NOTE:When you screw the screws, please refer to the illustration carefully to make sure that the slide screws correspond to the position.

-Install the drawer slides(I)on the right side panel(4).NOTE:When you screw the screws, please refer to the illustration carefully to make sure that the slide screws correspond to the position.

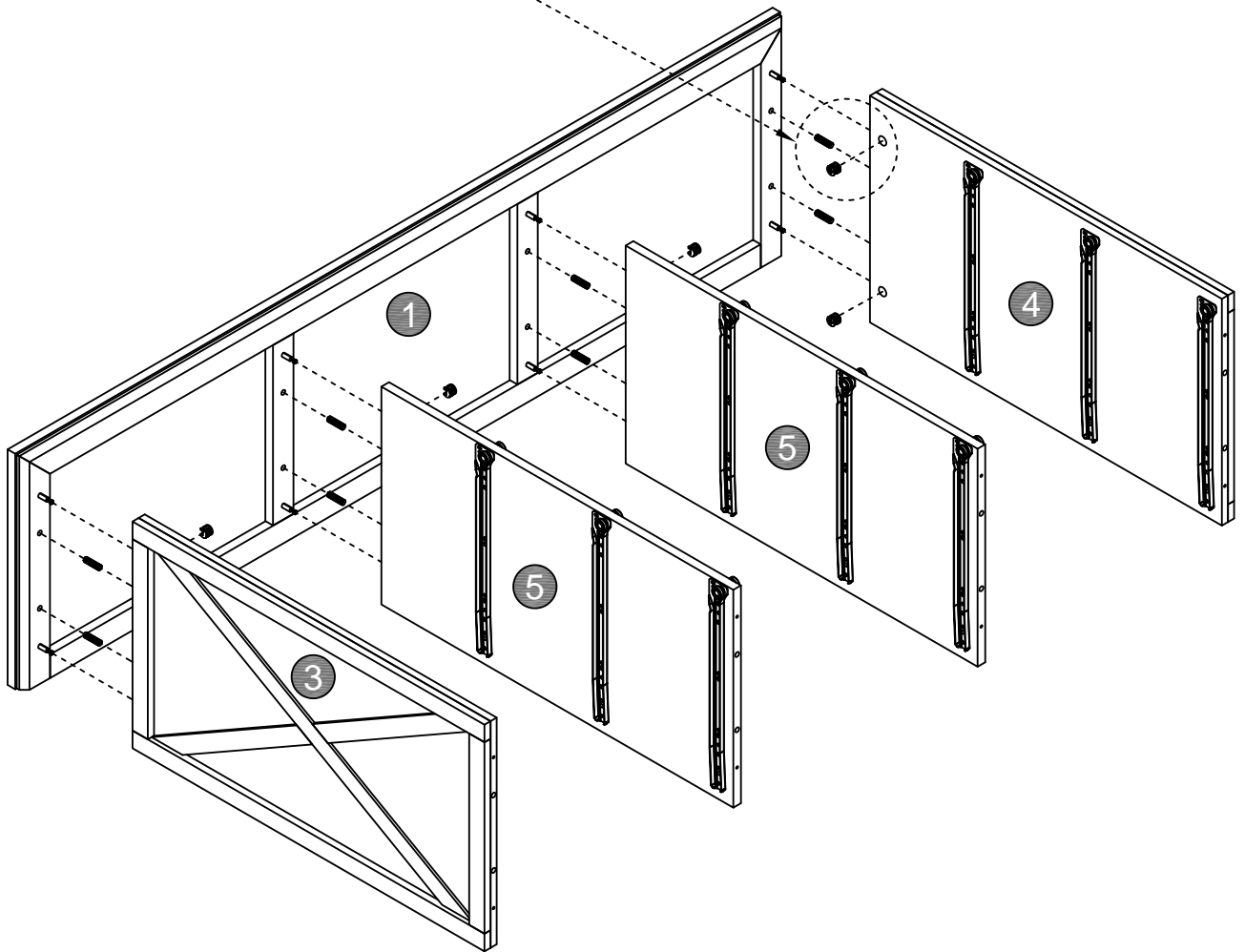
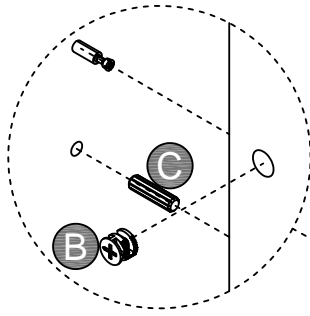
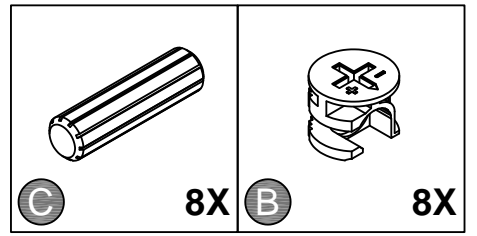


The screws(E)inside the magnifier must be tightened on the slide and kept flat

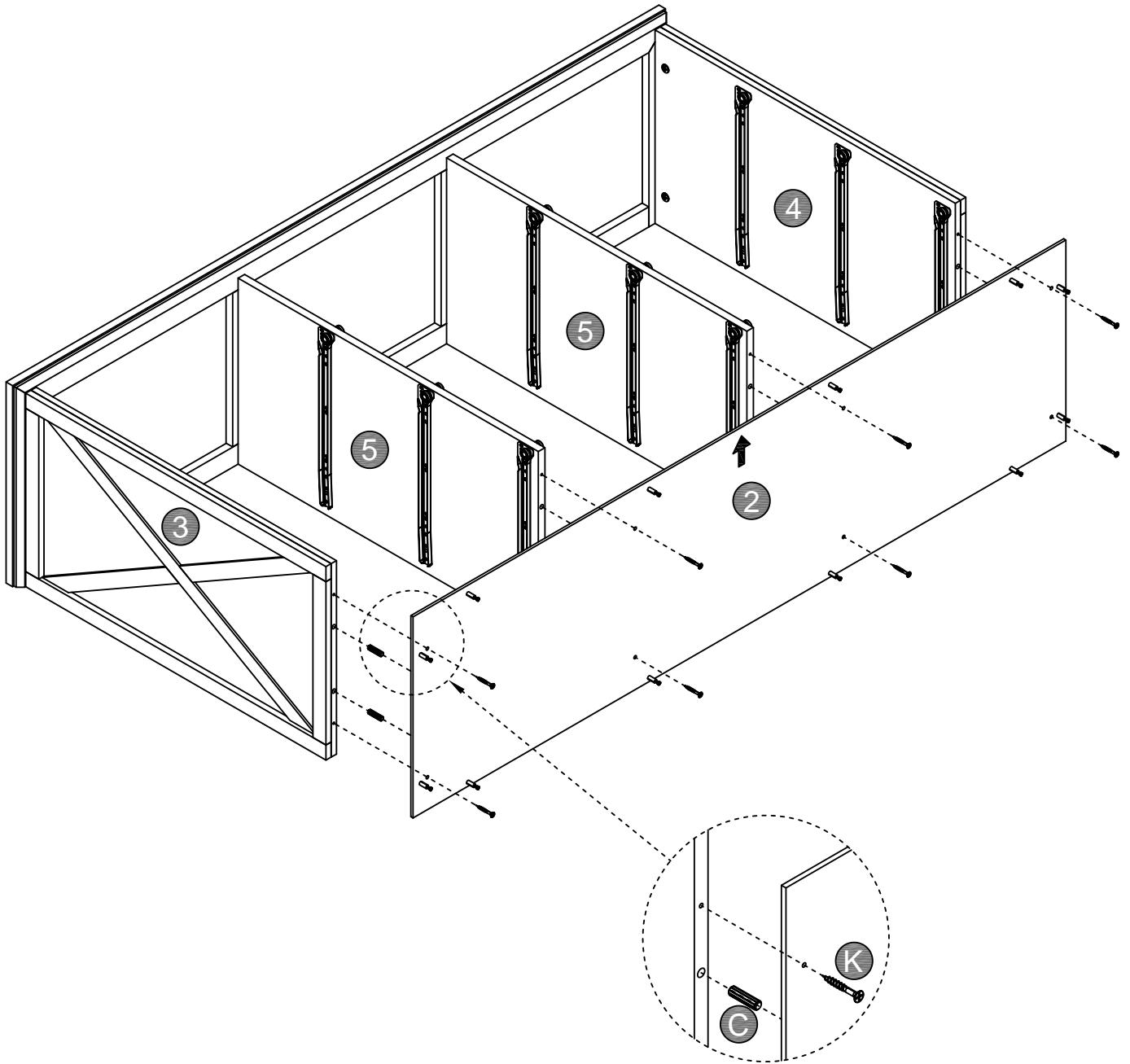
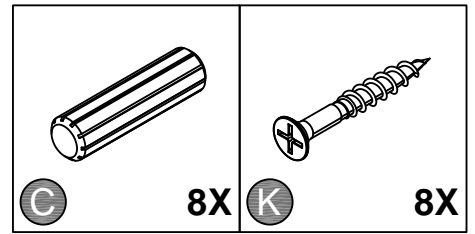
STEP 3



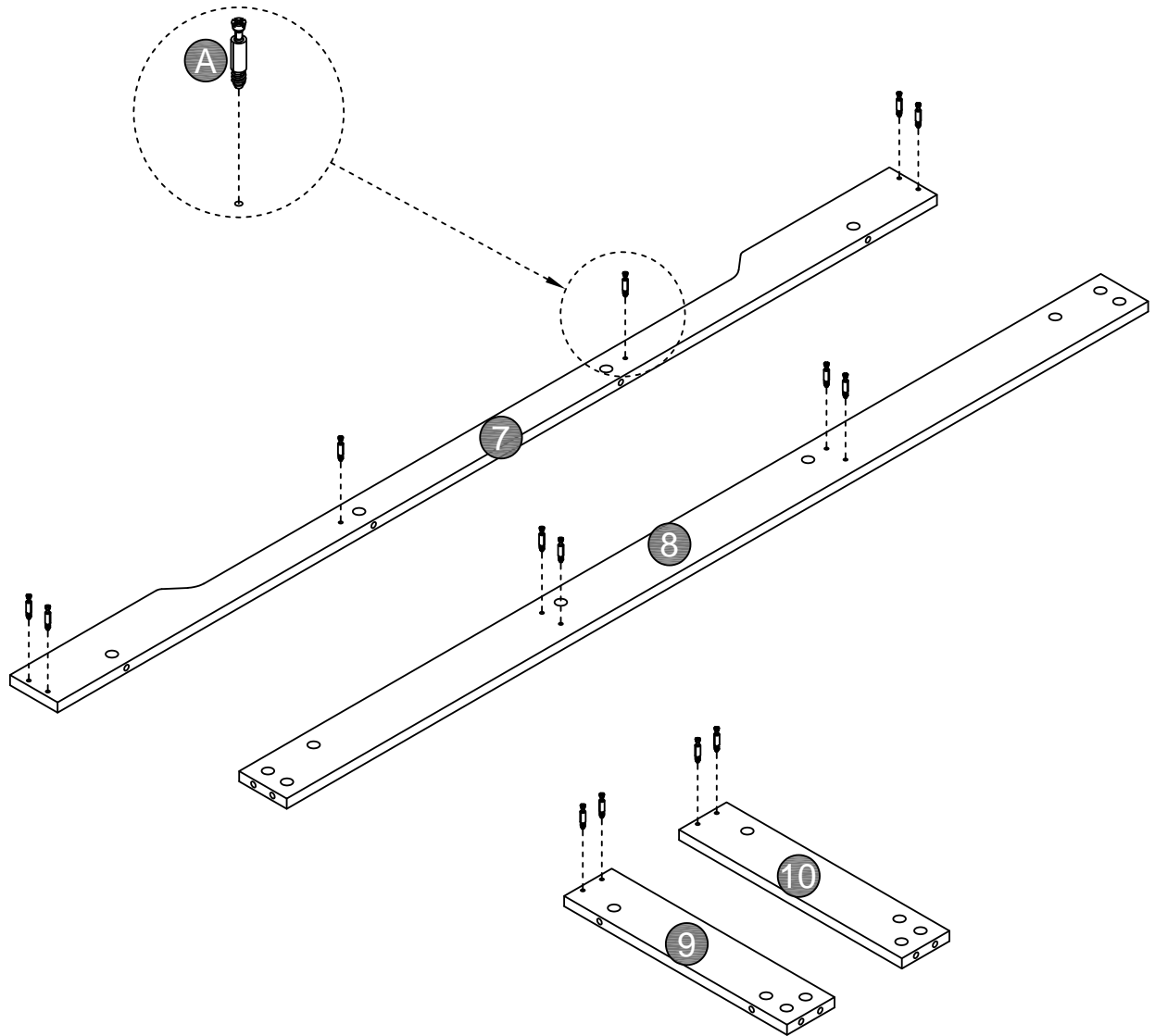
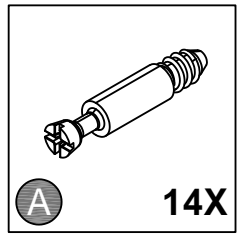
STEP 4



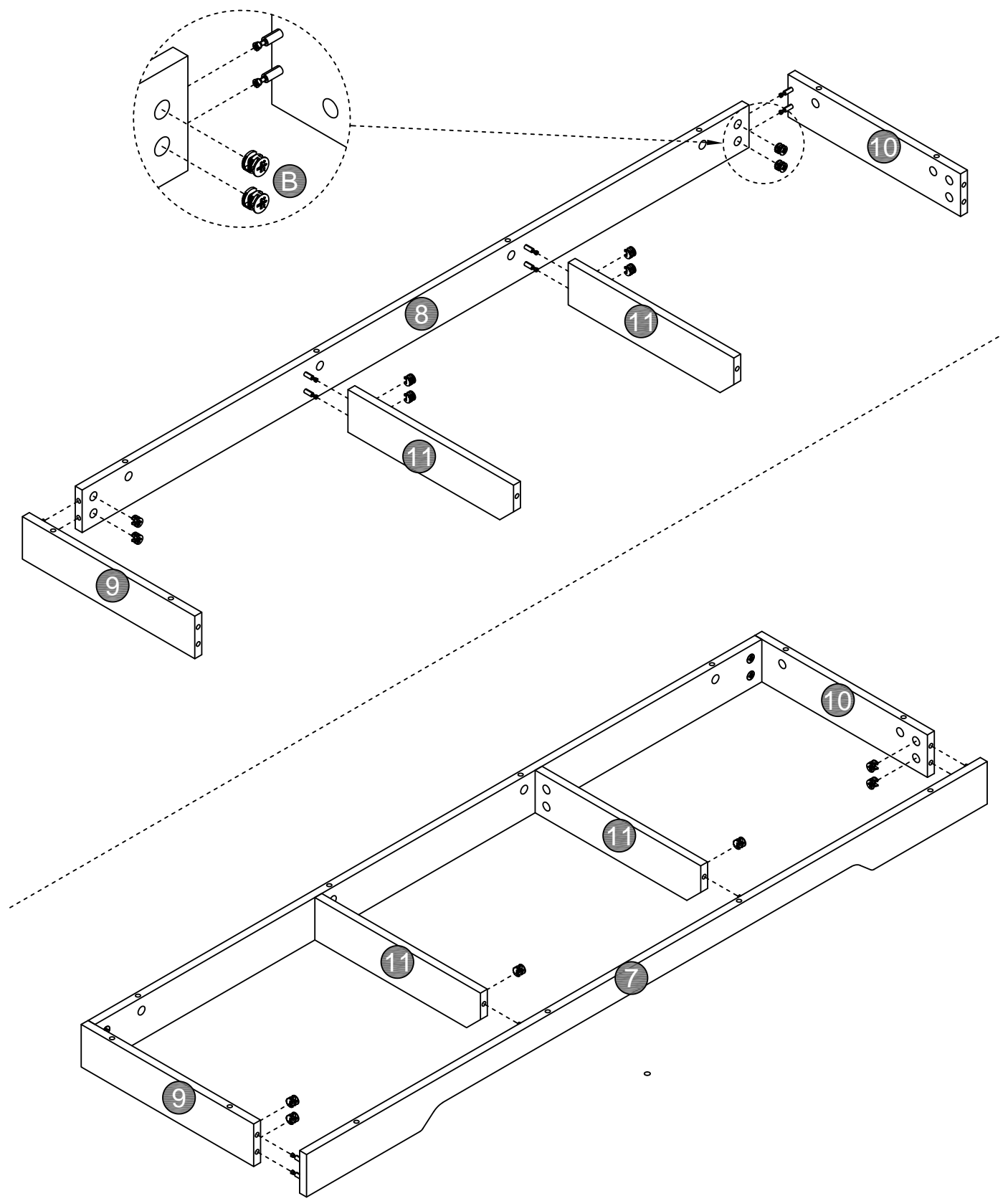
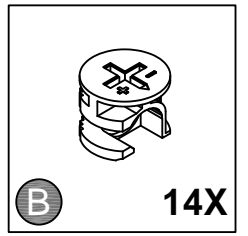
STEP 5



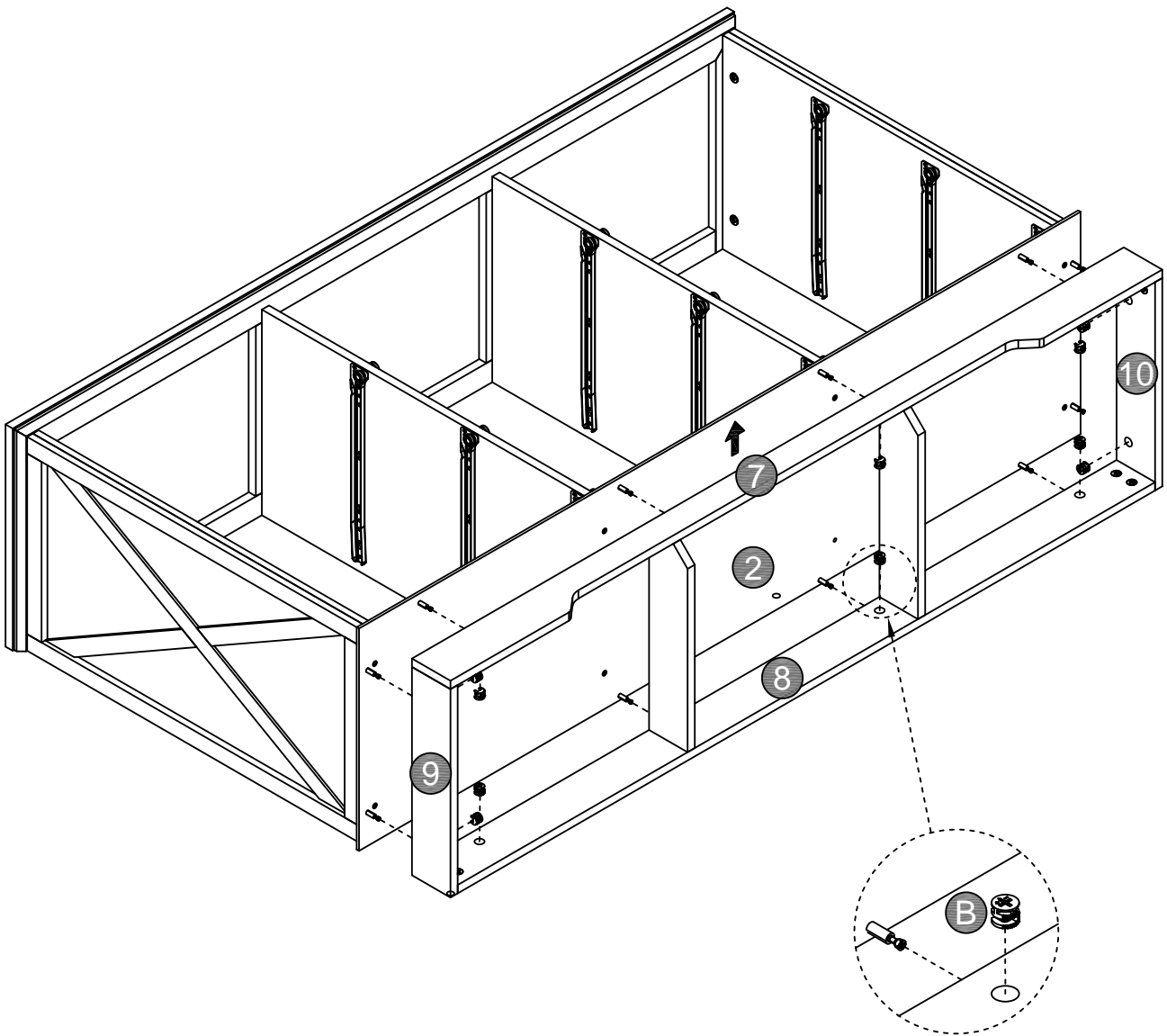
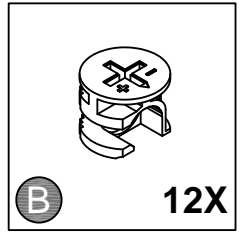
STEP 6



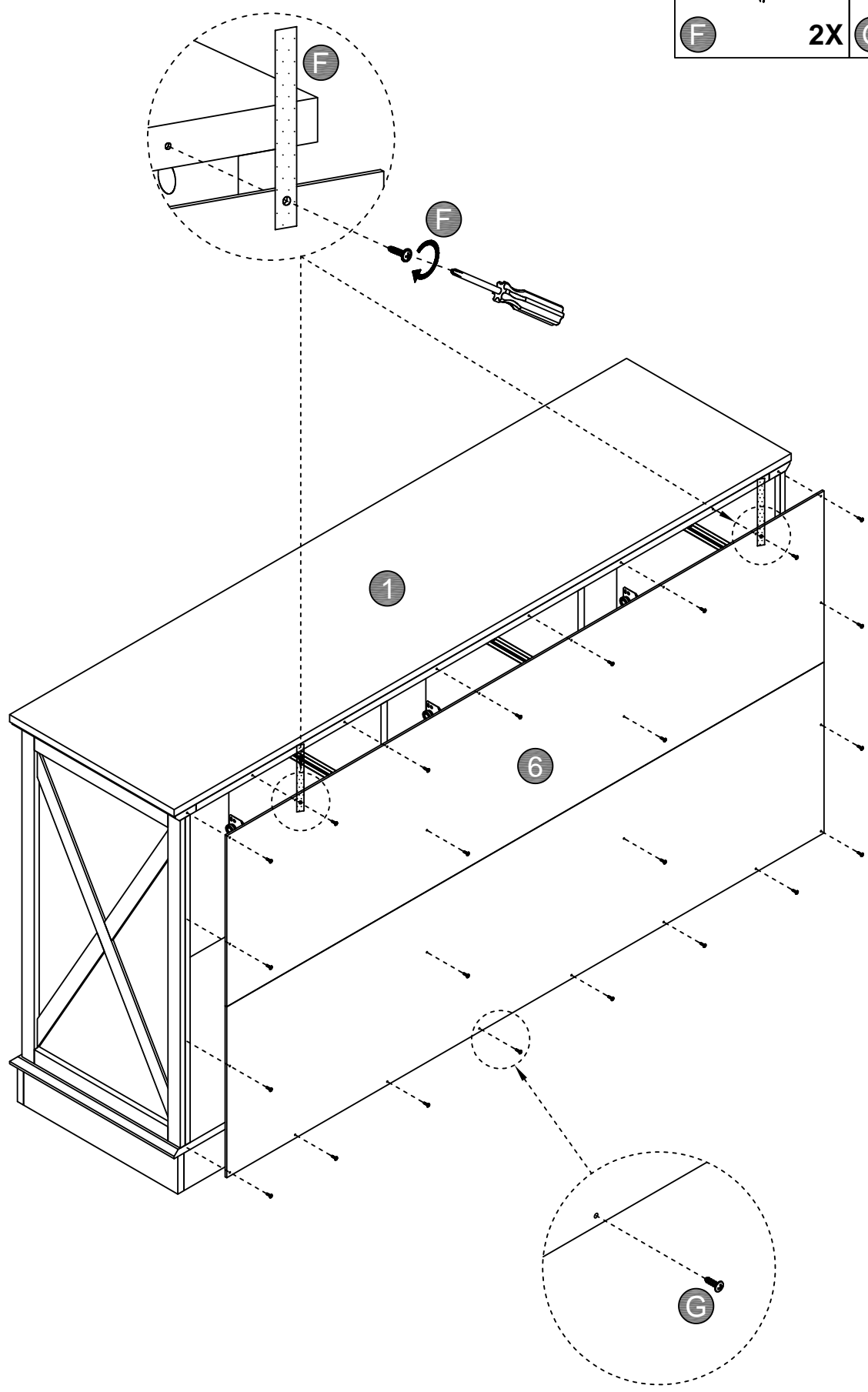
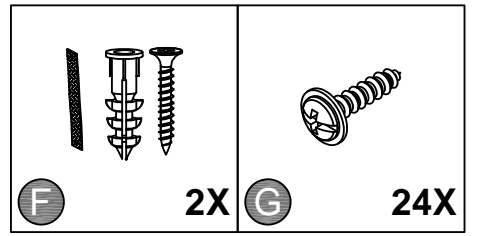
STEP 7



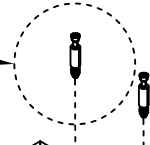
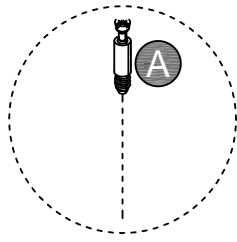
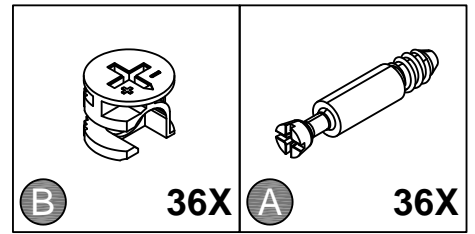
STEP 8



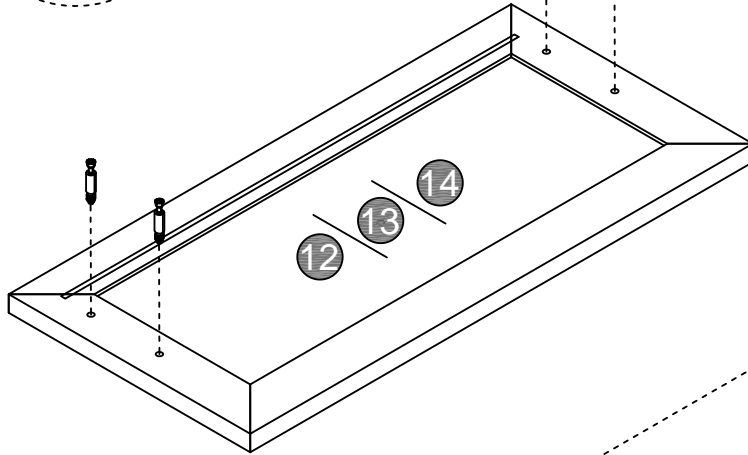
STEP 9



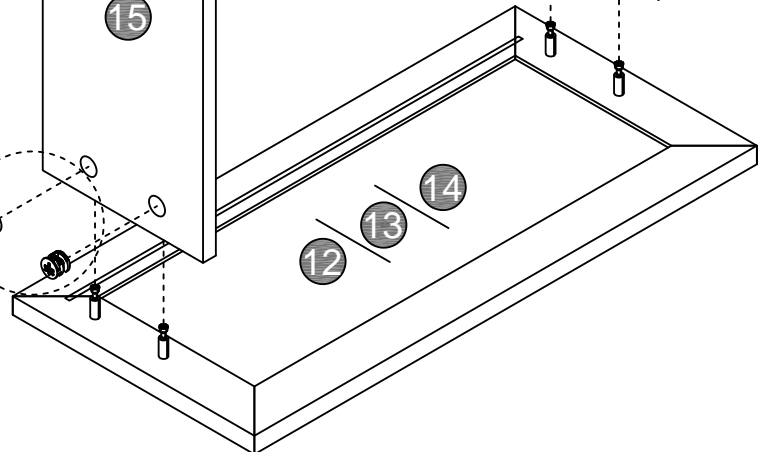
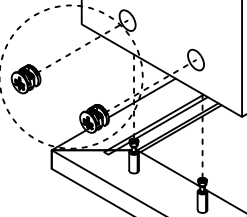
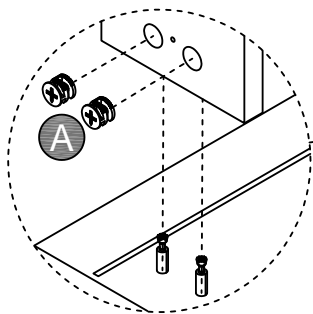
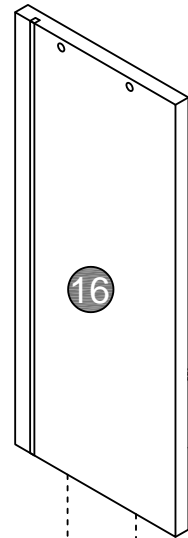
STEP 10



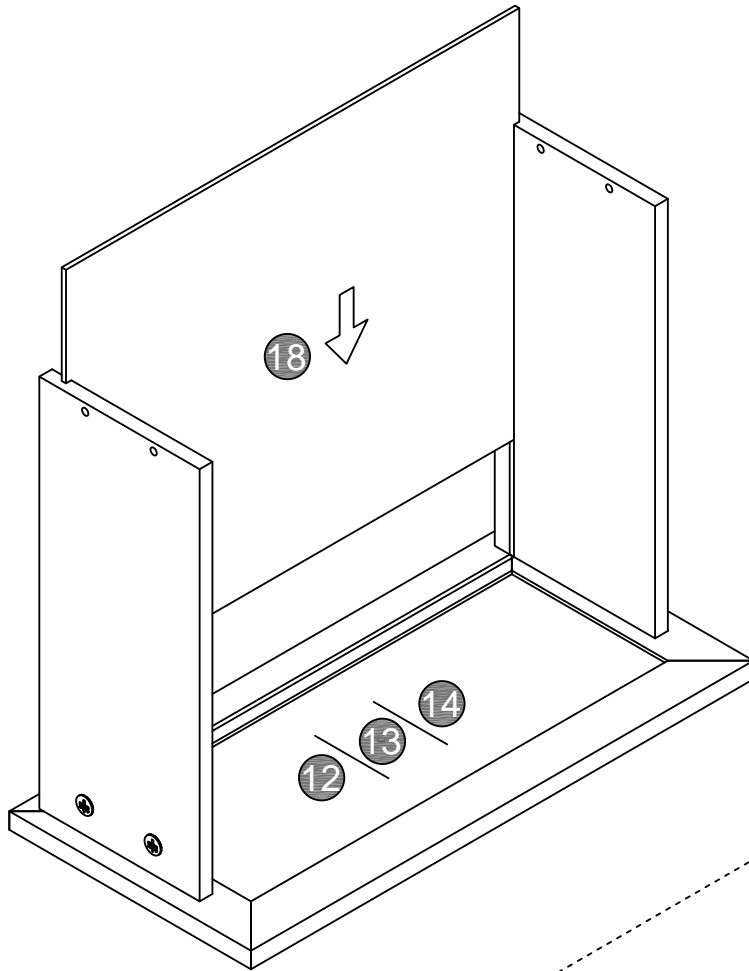
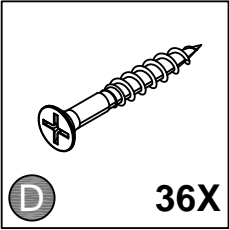
X3



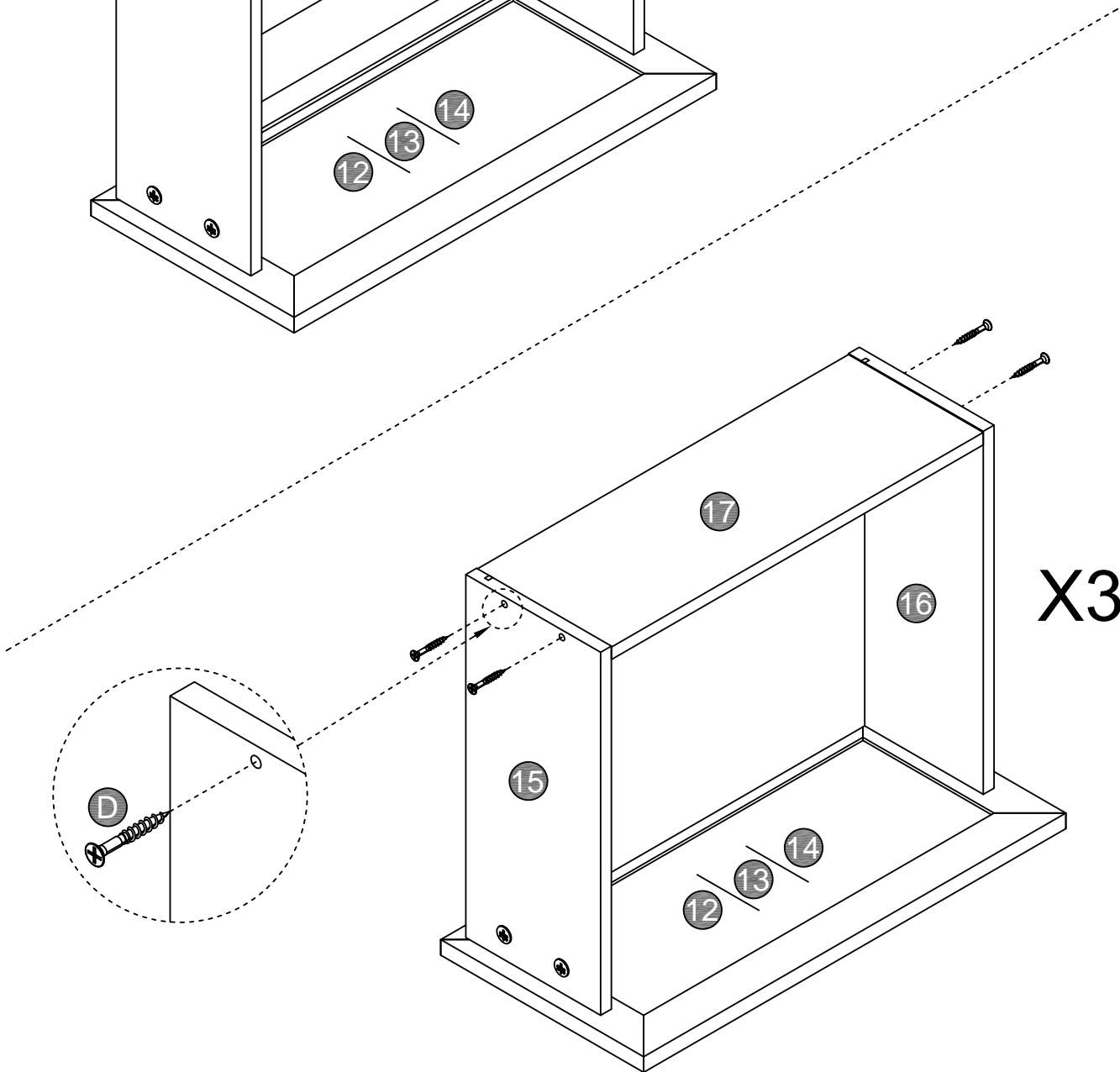
X3



STEP 11

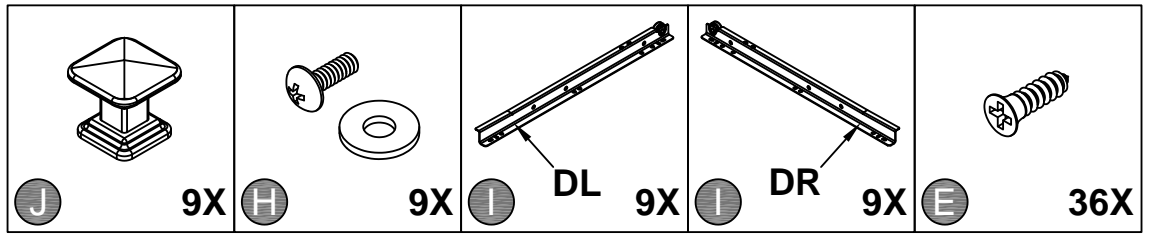


X3

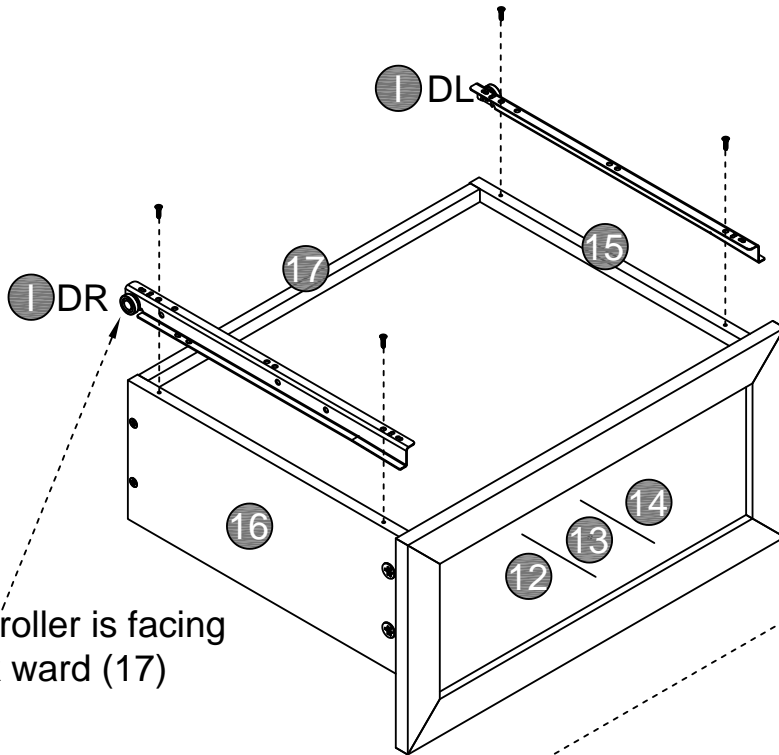
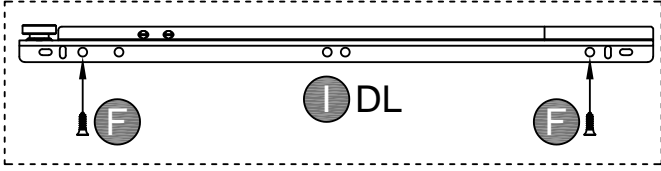


X3

STEP 12

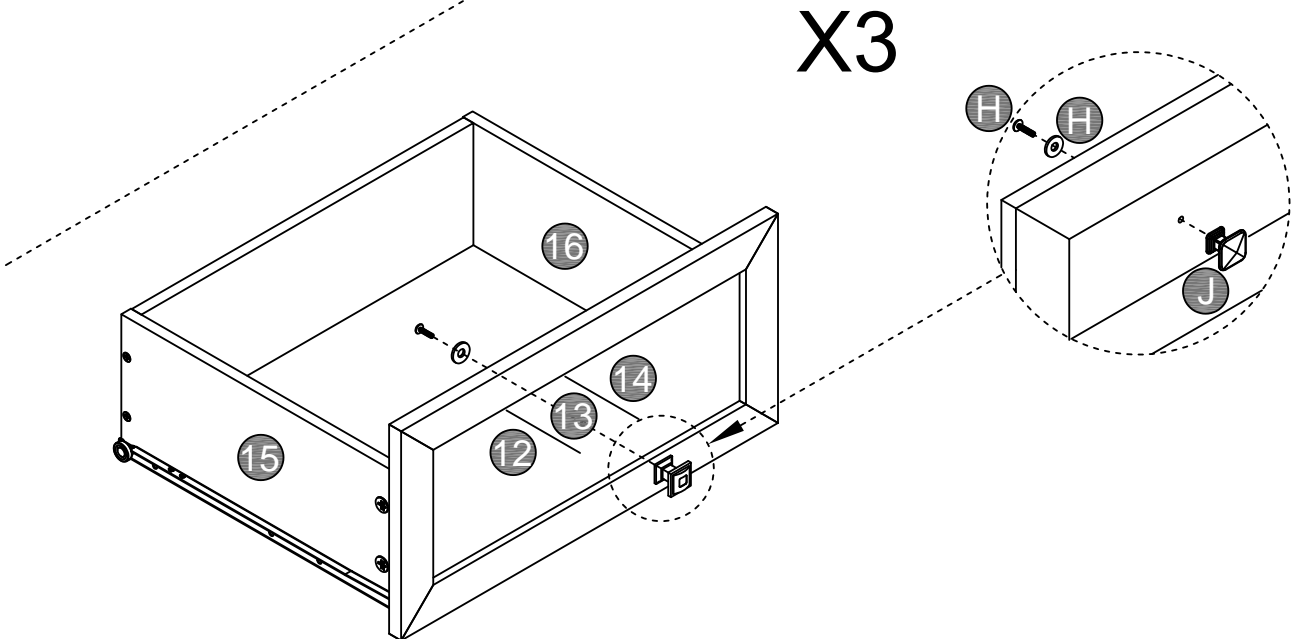


Screw (F) to lock (Q) to the (12)&(13) as below shown



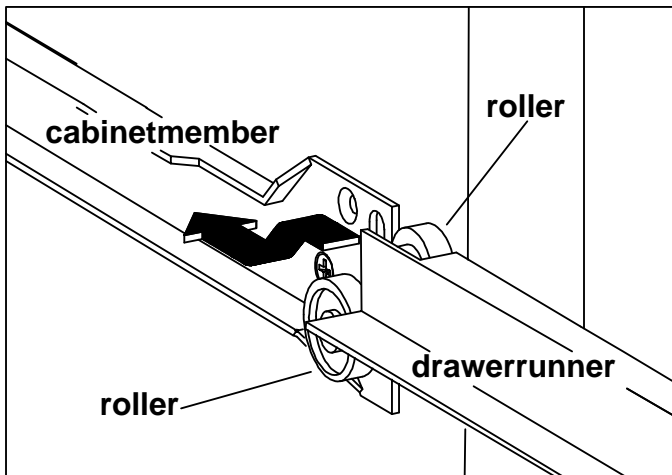
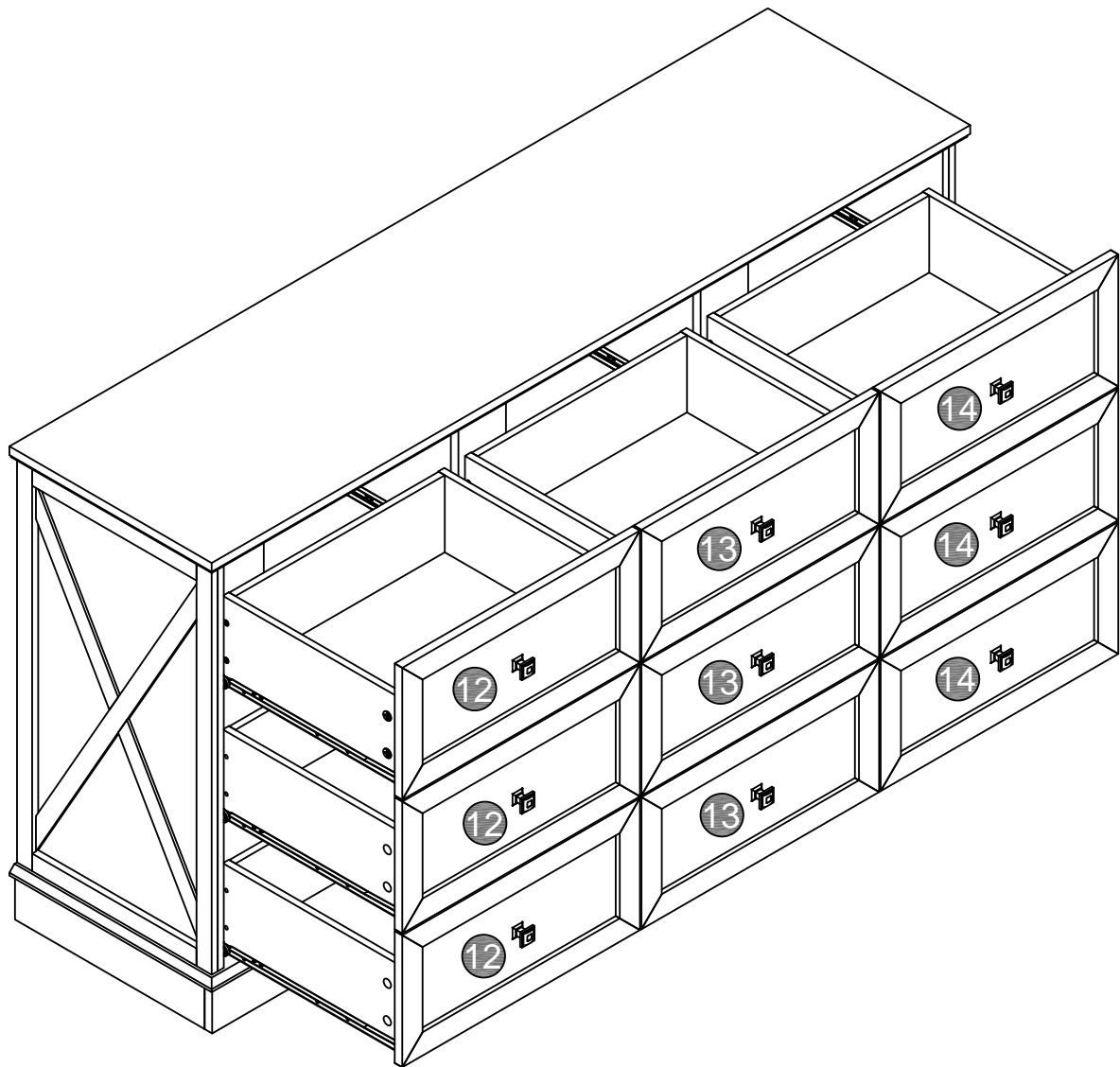
The roller is facing back ward (17)

X3



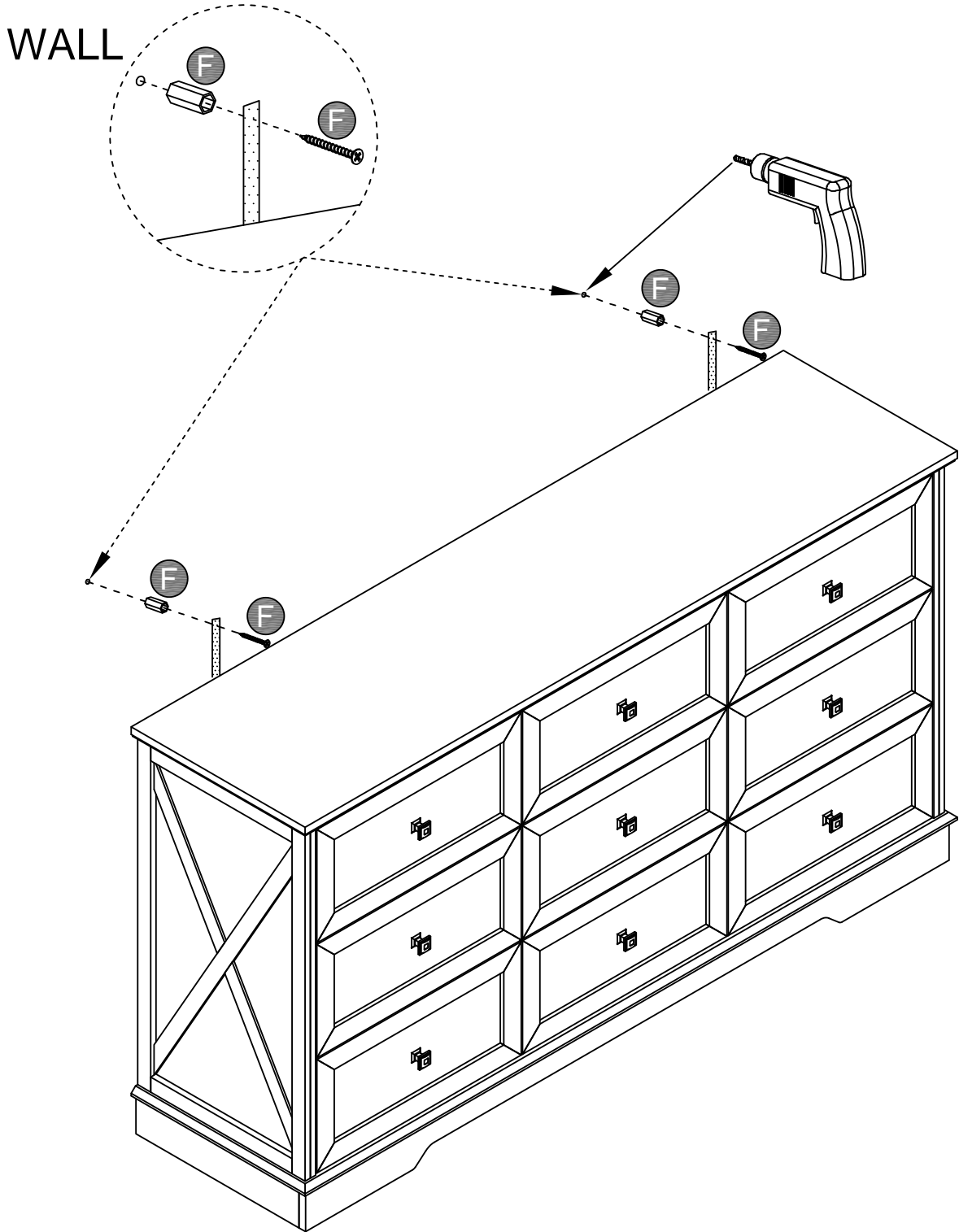
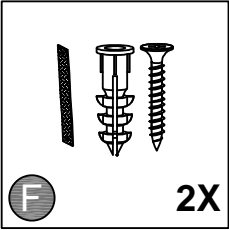
X3

STEP 13



When you put the drawer, please note that the drawer wheels on top of the wheels of the slide, then check whether the drawer is smooth when pulled out. Otherwise, the drawer will not be aligned with other drawers.

STEP 14



STEP 15

