

WD405CS / WD405CB

LG SIGNATURE

LG SIGNATURE 1.0 cu. ft. 29" SideKick™ Pedestal Washer

KEY FEATURES

- 1.0 cu. ft. Right Size Capacity
- Premium Brushed Platinum Steel
- SmartDiagnosis™
- Electronic Control Panel with Dual LED Display
- Compatible with LG Signature Washer (WM9900HSA, WM9901HBA)



PRODUCT FEATURES

SUMMARY	
Capacity (cu.ft.)	1.0 cu.ft.
APPEARANCE	
Control & Display	Electronic Control Panel with LED Display
Touch Buttons	Yes
WASH PROGRAM	
3 Motion Technology	Yes
Number of Programs	6
	Normal, Intimates, Hand Wash, Rinse+Spin, Tub Clean, Downloaded
WASH OPTIONS	
Number of Options	5
	Warm Water, Rinse, Control Lock, Wi-Fi, Remote Start
WASHER DETAILS	
No. of Temps	2
	Warm, Cold
Twin Wash®Compatible	Yes
CONVENIENCE FEATURES	
End of Cycle Signal	Yes
Auto Suds Removal	Yes
Forced Drain System	Yes
Child Lock	Yes
Leveling Legs	4 Adjustable Legs
Smart Diagnosis (v3.0)	Yes
MOTOR AND AGITATOR	
Motor Type	Direct Drive Motor
Motor Speed	Variable
Max RPM	700
MATERIALS AND FINISHES	
NeveRust® Stainless Steel Drum	Yes
Cabinet	VCM
Control Panel	Plastics
Top Plate	N/A
Door Rim	Glass / Black
Door Cover	Transparent Tinted Glass
All Available Colors	Brushed Platinum Steel (S) Brushed Black Steel (B)

POWER SOURCE	
Rating	UL Listed
Electrical Requirements	120V, 5 Amps
Type	Electric
ACCESSORIES	
Magnetic Remote Control	N/A
DIMENSIONS	
Product (WxHxD)	29" x 14 1/8" x 30 7/8" (52 3/4" with drawer open)
Carton (WxHxD)	31 9/16" x 16 1/2" x 33 27/32"
Weight (Product/Carton)	108 / 118 lbs
LIMITED WARRANTY	
Parts and Labor	1 Year
Direct Drive Motor	10 Years
Drum	Limited Lifetime
UPC CODE	
WD405CS	195174072271
WD405CB	195174119785

© 2018 LG Electronics USA, Inc. All rights reserved. "LG Life's Good" is a registered trademark of LG Corp. All other product and brand names are trademarks or registered trademarks of their respective owners. Design, features and specifications are subject to change without notice. Non-metric weights and measurements are approximate. Some features may require Internet access. Content and services may vary by product and are subject to change without notice. 4/30/2025

WD405CS/ WD405CB

LG SIGNATURE SideKick™ Pedestal Washer

QUICK INSTALL & CLEARANCES

For full installation directions/clearances please refer to the corresponding User Manual and Installation Guide.

DIMENSIONS

Product (WxHxD)	29" x 14 1/8" x 30 7/8"
Depth with Drawer Open	52 3/4"
Carton Dimensions (in) (WxHxD)	31 9/16" x 16 1/2" x 33 27/32"

POWER SOURCE

Ratings	UL Listed
Electrical Requirements	120V, 5 Amps

INSTALLATION

WARNING

- Two or more people are required when moving, unpacking, and stacking the washer. Failure to follow this warning may result in damage to property or serious bodily harm.
- Store and install the washer where it will not be exposed to weather or to temperatures below freezing. Failure to follow this warning can cause serious injury, fire, electric shock, or death.
- Properly ground the washer to conform with all electric governing codes and ordinances. Failure to follow this warning can cause serious injury, fire, electric shock, or death.
- To reduce the risk of electric shock, do not install the washer in humid spaces. Failure to follow this warning can cause serious injury, fire, electric shock, or death.
- To ensure proper air flow, do not block the large opening on the bottom of the washer with carpeting or other materials.
- Do not remove the ground prong. Do not use a 2-prong adapter or 2-wire extension cord. Failure to follow these warnings can cause serious injury, fire, electric shock, or death.

CAUTION

- This pedestal washer must be installed underneath a matching front-loading LG washing machine manufactured after 2009. (The 29" wide machine must be stacked under a 29" wide LG front-loading washer. The 27" wide machine must be stacked under a 27" wide LG front-loading washer.)
- The pedestal washer will not work as a standalone unit.
- The pedestal washer must be stacked under an LG brand appliance in order to operate properly.

Power Outlet

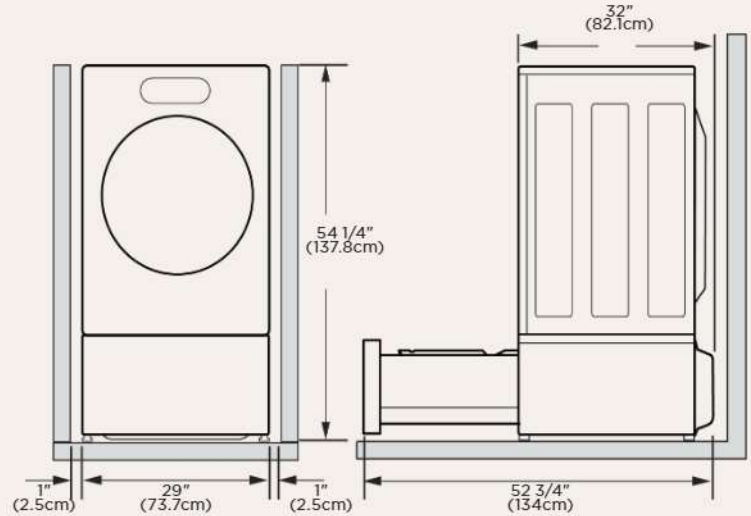
- The power outlet must be within 60 in. (1.5 m) of either side of the washer.
- The appliance and outlet must be positioned so that the plug is easily accessible.

Flooring

- To minimize noise and vibration, the washer MUST be installed on a solidly constructed floor.
- Allowable slope under the entire washer is a maximum 1 inch. difference from side to side or from front to back.
- Installing on carpeting and soft tile surfaces is not recommended.
- Never install the washer on a platform or weakly supported structure.



PRODUCT DIMENSIONS



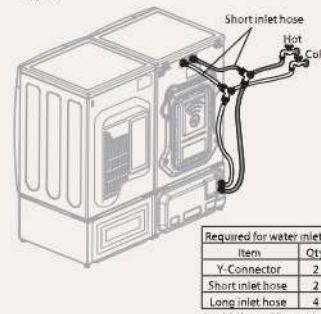
- To ensure sufficient clearance for water lines and airflow, allow minimum clearances of at least 1 in. (2.5 cm) at the sides and 4 in. (10 cm) behind the unit. Be sure to allow for wall, door, or floor moldings that may increase the required clearances.

CONNECTING THE DRAIN HOSE

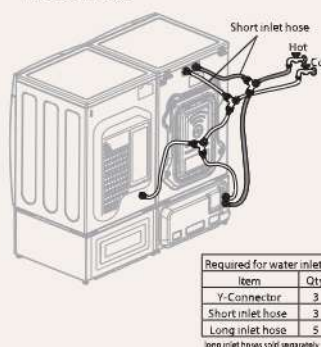
Please read the Owner's Manual installation instructions first after purchasing this product or transporting it to another location.

CONNECTING THE WATER LINES WITH FULL-SIZE APPLIANCES

- Front-loading washer and pedestal washer with dryer.



- Front-loading washer and pedestal washer with Turbo Steam dryer



CONNECTING THE DRAIN HOSE WITH FULL-SIZE WASHER

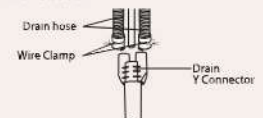
- Front-loading washer and pedestal washer with dryer.



- Front-loading washer and pedestal washer with hybrid dryer



DETAIL VIEW OF DRAIN CONNECTOR CONNECTION



For narrow standpipes, insert hybrid dryer drain hose in center of drain connector. DO NOT insert dryer drain hose further than 1 inch (2.5 cm). Use tie straps to keep hoses in place.