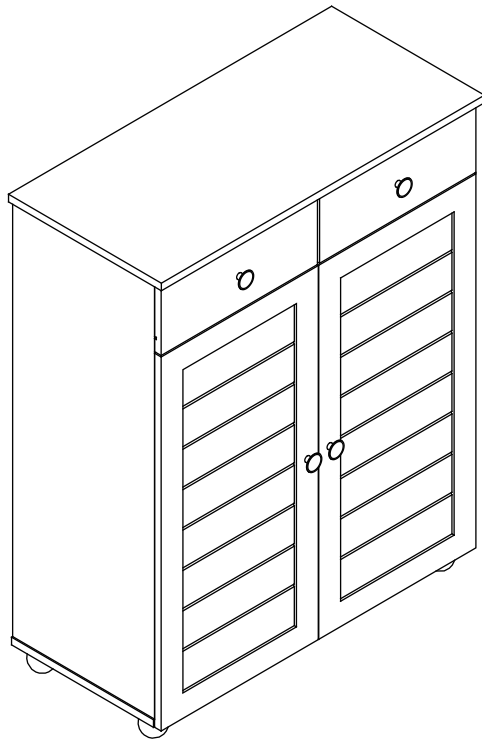


# Instruction manual

## SHOE CABINET



# CONTENTS

---

Safety and care advice	<b>1</b>
Components – panels	<b>2</b>
Components – fittings	<b>3</b>
Assembly instructions	<b>4</b>
Copyright	<b>17</b>

---

# ⚠ SAFETY AND CARE ADVICE ⚠

---

PLEASE READ THESE INSTRUCTIONS CAREFULLY AND KEEP FOR FUTURE REFERENCE

**Warning:** Please lift with care.

- Check you have all the components and tools listed on pages 2 and 3.
- Remove all fittings from the plastic bags and separate them into their groups.
- Keep children and animals away from the work area, small parts could choke if swallowed.
- Make sure you have enough space to layout the parts before starting.
- Do not stand or put weight on the product, this could cause damage.
- Assemble the item as close to its final position (in the same room) as possible.
- Assemble on a soft level surface to avoid damaging the unit or your floor (use opened out unit carton).



·We do not recommend the use of power drill/drivers **for inserting screws**, as this could damage the unit. Only use hand screwdrivers.

·**Safety note:** If there is any chance of this unit being pulled over by children etc. it is recommended that the unit is secured to a wall using suitable fixings (not supplied).

·Dispose of all packaging carefully and responsibly.

## CARE AND MAINTENANCE

---

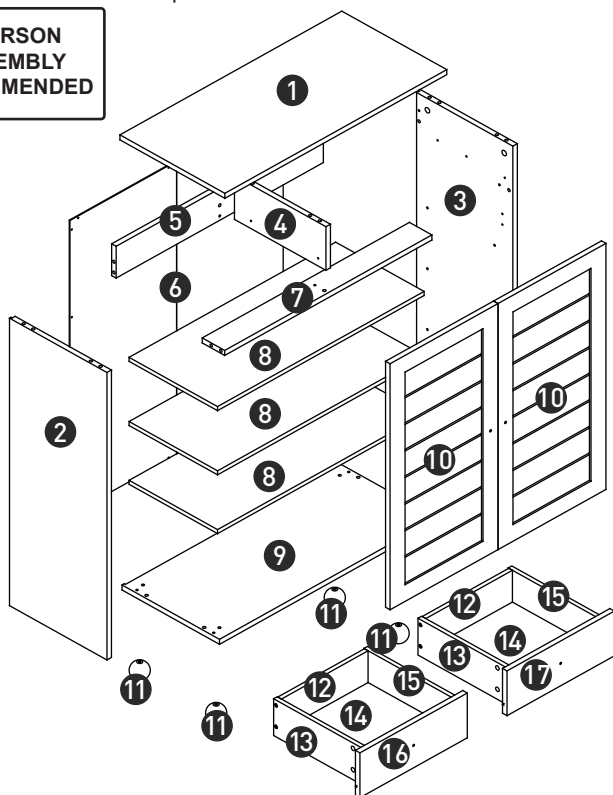
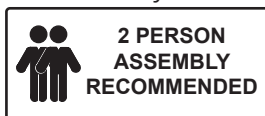
- Only clean using a damp cloth and mild detergent, do no use bleach or abrasive cleaners.
- From time to time check that there are no loose screws on this unit.

·This product should not be discarded with household waste. Take to your local authority waste disposal center.

**Note:** *If required the next page can be cut out and used as reference throughout the assembly. Keep this page with these instructions for future reference*

# COMPONENTS — PANELS

Please check you have all the panels listed below:



## PANEL LIST

<b>1</b> Top Panel	x1	<b>10</b> Door	x2
<b>2</b> Left Side Panel	x1	<b>11</b> Leg	x4
<b>3</b> Right Side Panel	x1	<b>12</b> Drawer Back Panel	x2
<b>4</b> Middle Panel	x1	<b>13</b> Drawer Left Panel	x2
<b>5</b> Back Crossing Bar	x1	<b>14</b> Drawer Bottom Panel	x2
<b>6</b> Back Panel	x1	<b>15</b> Drawer Right Panel	x2
<b>7</b> Upper Crossing Bar	x1	<b>16</b> Left Drawer Front Panel	x1
<b>8</b> Adjustable shelf	x3	<b>17</b> Right Drawer Front Panel	x1
<b>9</b> Bottom Panel	x1		



# COMPONENTS — FITTINGS

Please check you have all the fittings listed below:

**A**  Metal dowel x 18

**B**  Lock Ø15mm x 10

**C**  Wooden dowel Ø8mm x 16

**D**  Metal cam lock Ø13mm x 8


**E**  Screw Ø6mm x 4


**F**  Screw 40mm x 14

**G**  Screw 14mm x 40

**H**  Handle x 4

**I**  Screw 21mm x 4

**J**  Metal Slide-Female Right x 2

**K**  Metal Slide-Female Left x 2

**L**  Metal Slide-Male Right x 2

**M**  Metal Slide-Male Left x 2

**N**  Hinge x 4

**O**  Shelf support x 12

**P**  Screw 12mm x 16

**Q**  Anti-topple device x 2

**TOOLS NEEDED**  
(We don't provide)










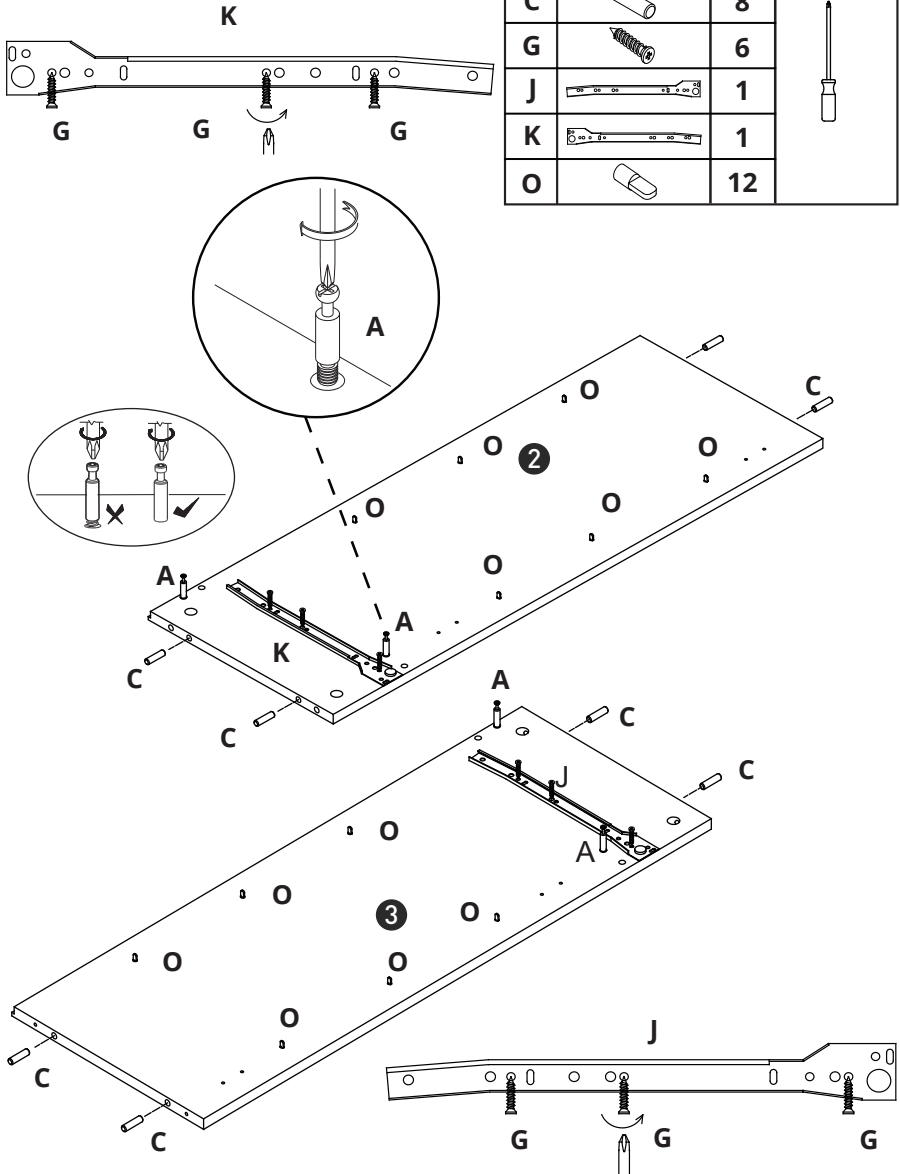
Phillips Screwdriver x 1



# ASSEMBLY INSTRUCTIONS

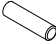




## Step 1

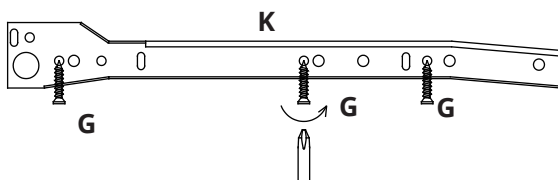
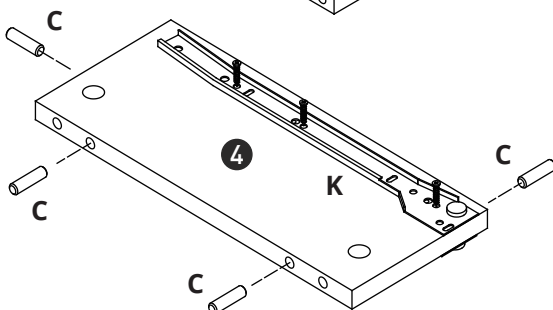
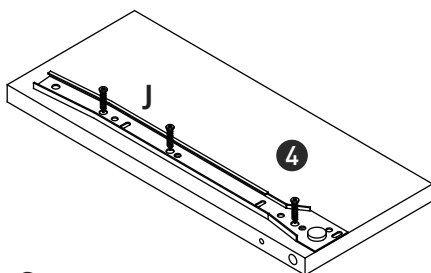
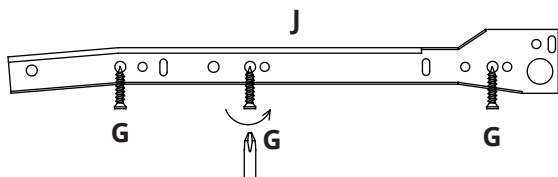
A		4	
C		8	
G		6	
J		1	
K		1	
O		12	



# ASSEMBLY INSTRUCTIONS


## Step 2

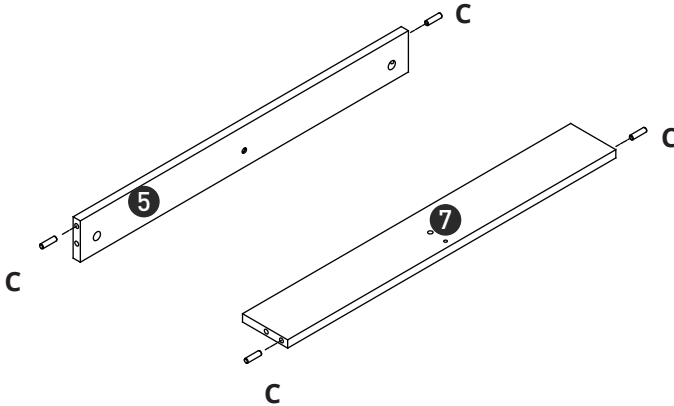
C		4	
G		6	
J		1	
K		1	





# ASSEMBLY INSTRUCTIONS

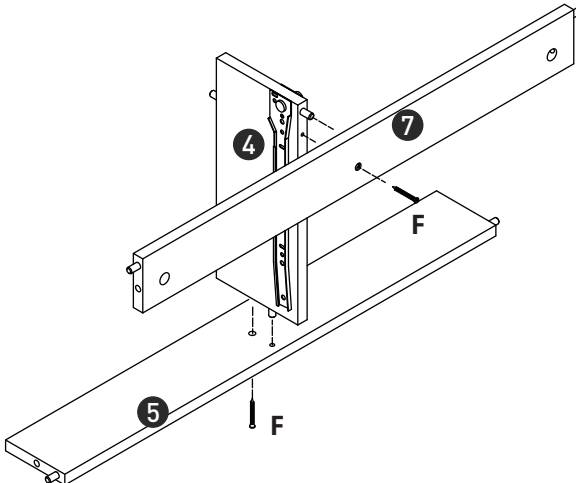
## Step 3

C		4	
---	---	---	--



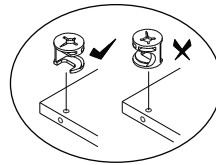
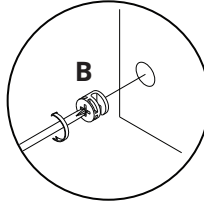
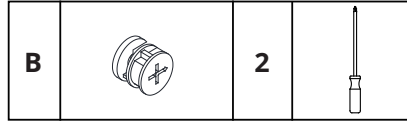
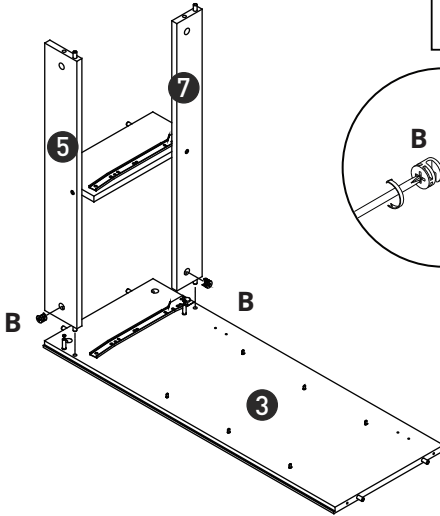
## Step 4

F		2	
---	---	---	---

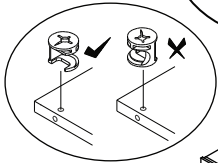
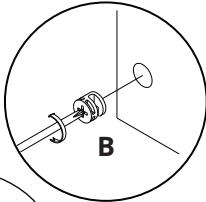
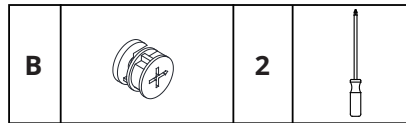
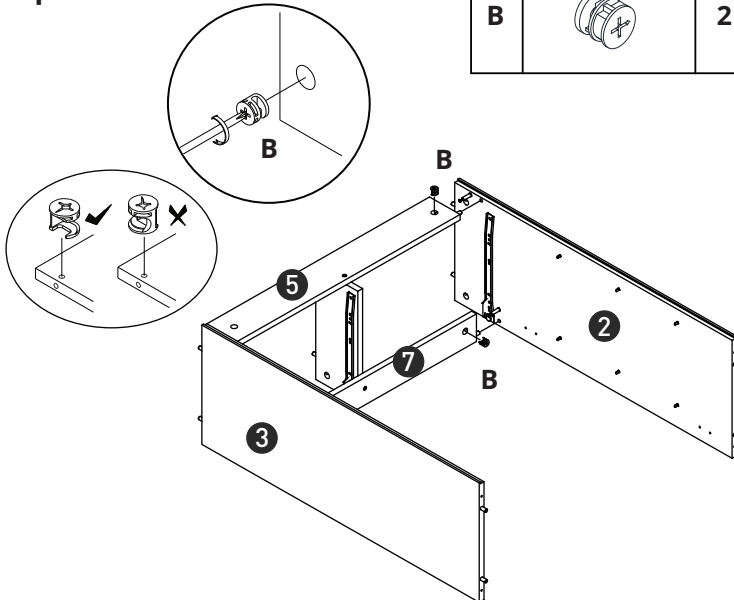


# ASSEMBLY INSTRUCTIONS

## Step 5

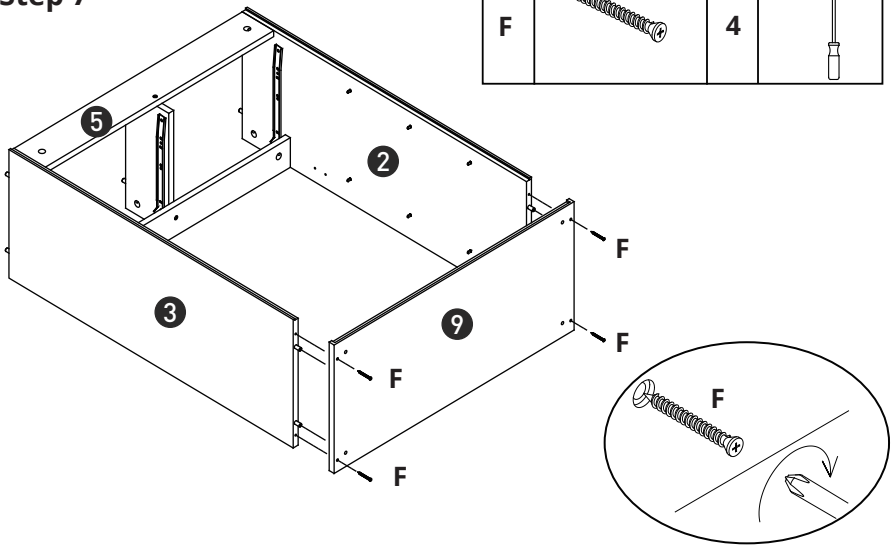


## Step 6

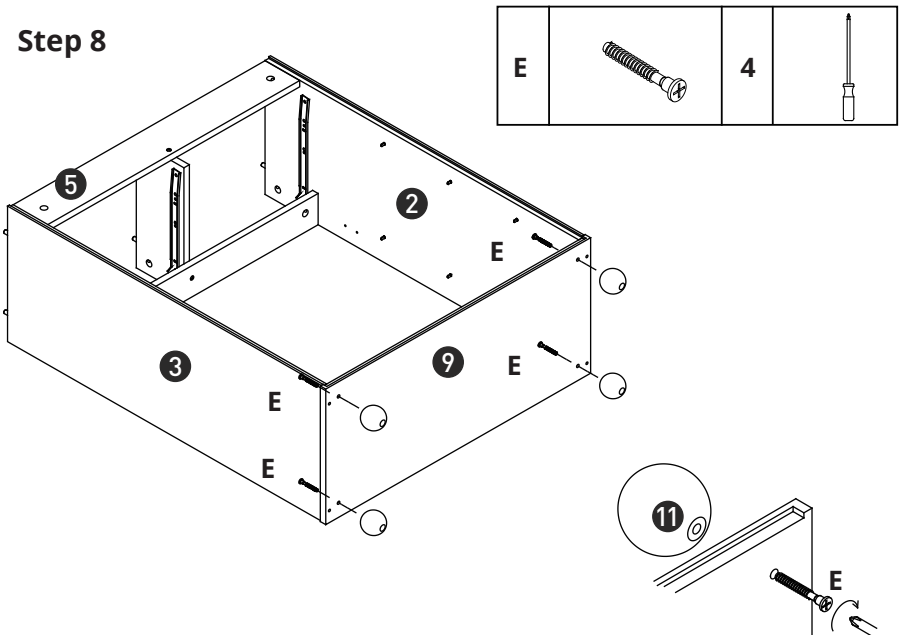


# ASSEMBLY INSTRUCTIONS

## Step 7

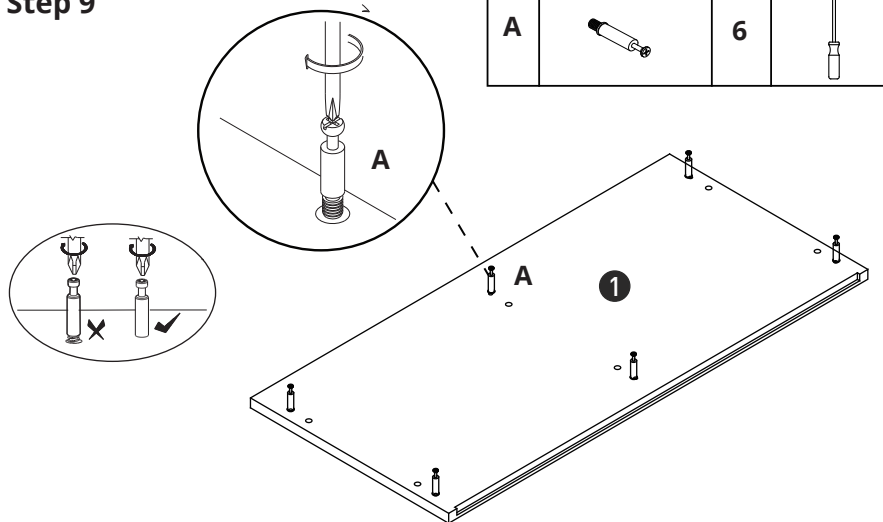


## Step 8

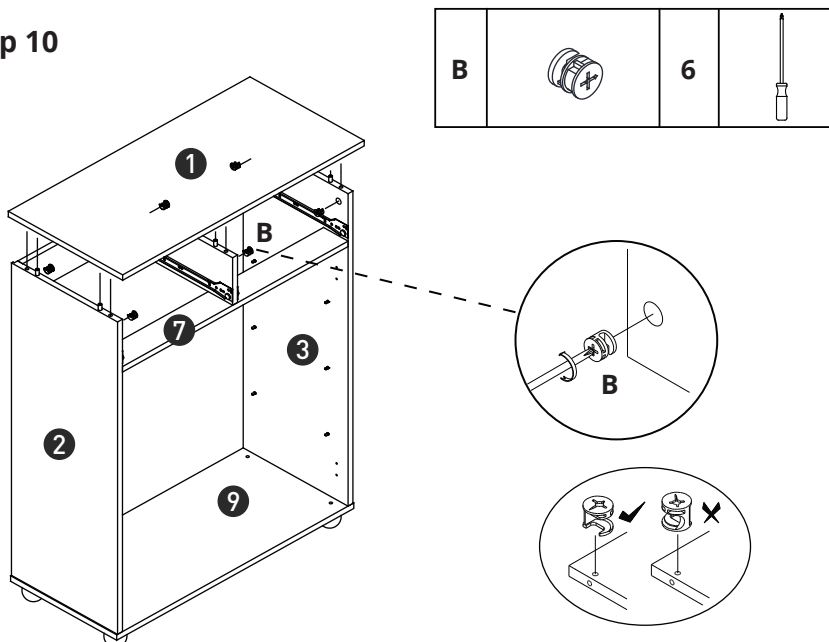


# ASSEMBLY INSTRUCTIONS

## Step 9

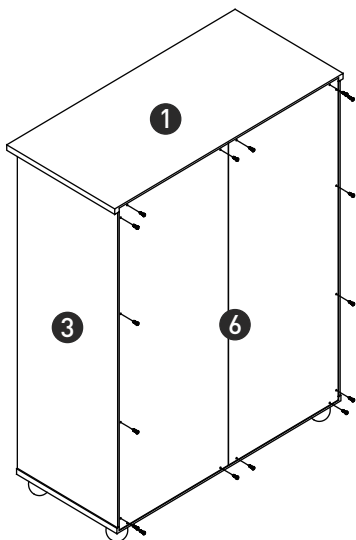




## Step 10

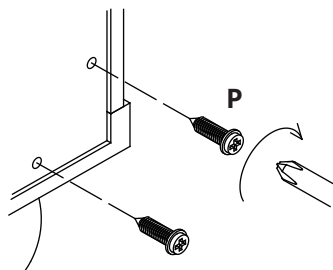


# ASSEMBLY INSTRUCTIONS

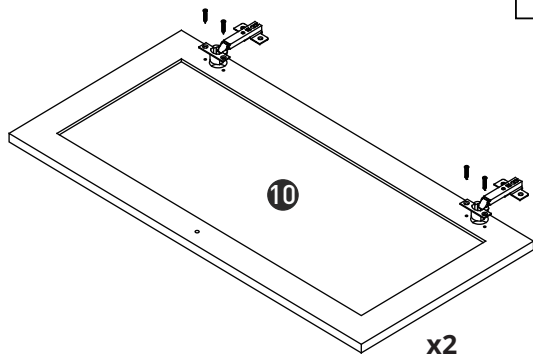
## Step 11






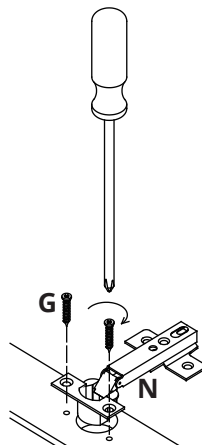
P		16	
---	---	----	---



## Step 12







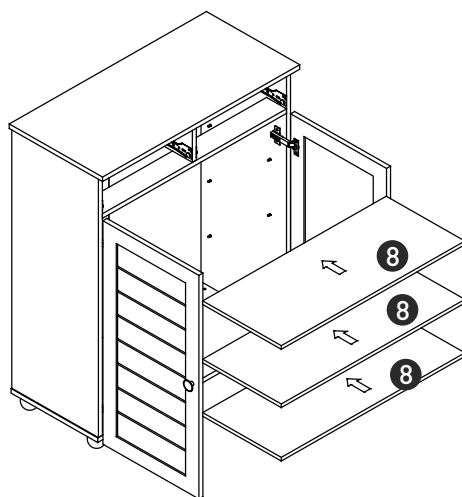
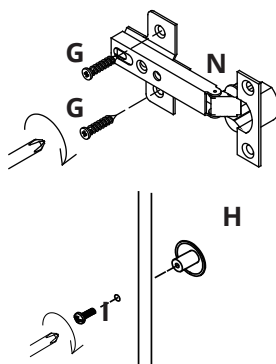
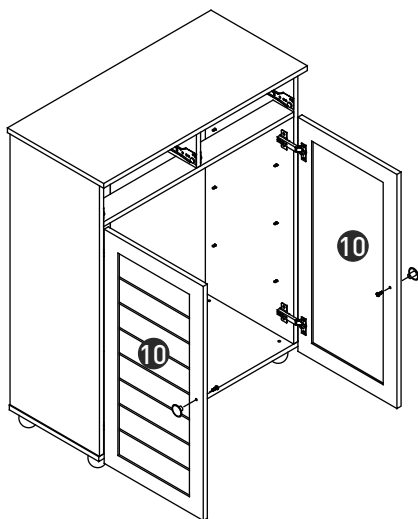
G		8	
N		4	



# ASSEMBLY INSTRUCTIONS

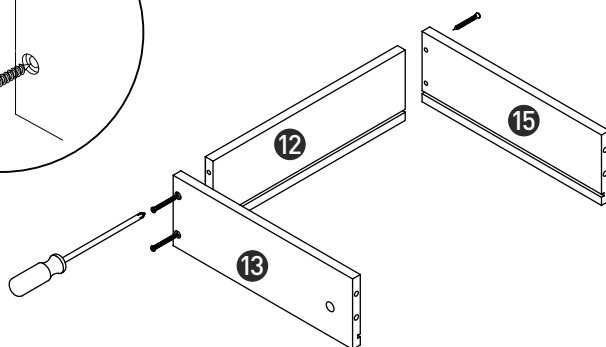
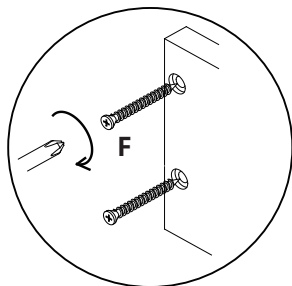
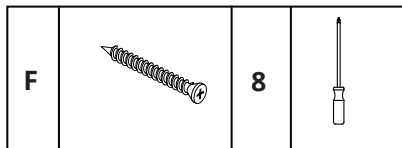
## Step 13

G		8	
H		2	
I		2	



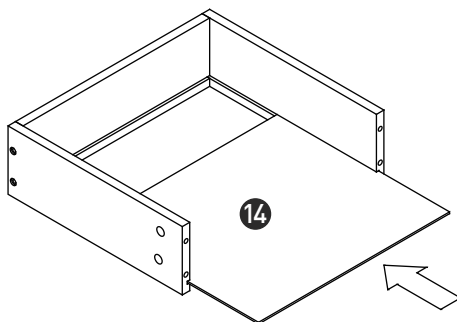
# ASSEMBLY INSTRUCTIONS

## Step 14



X2



## Step 15

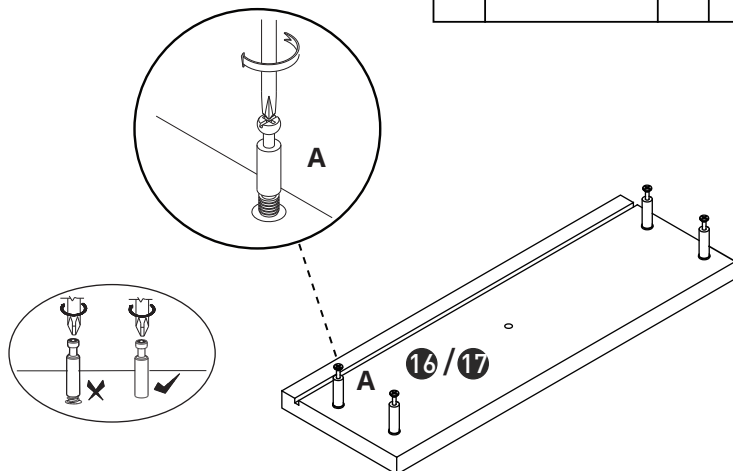


X2

# ASSEMBLY INSTRUCTIONS





## Step 16

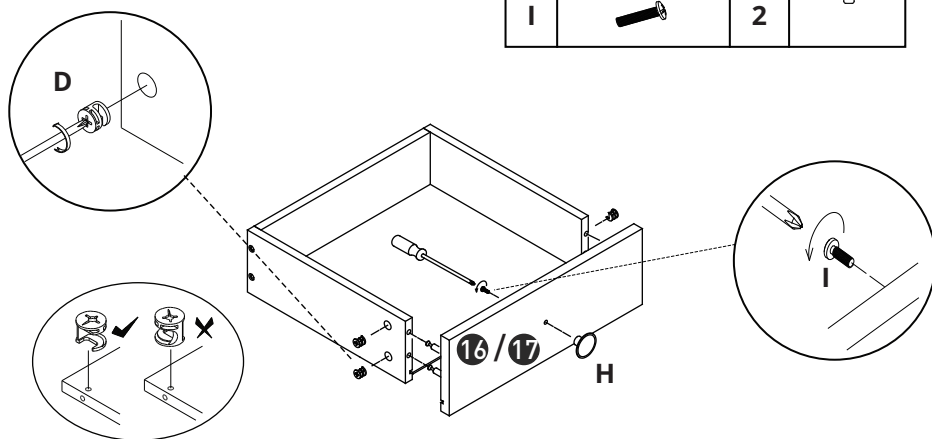
A		8	
---	---	---	---



X2

## Step 17





D		8	
H		2	
I		2	

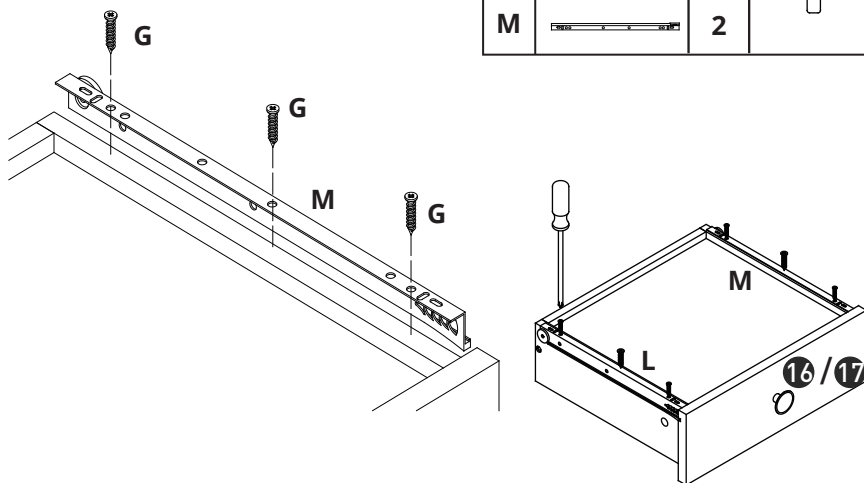


X2

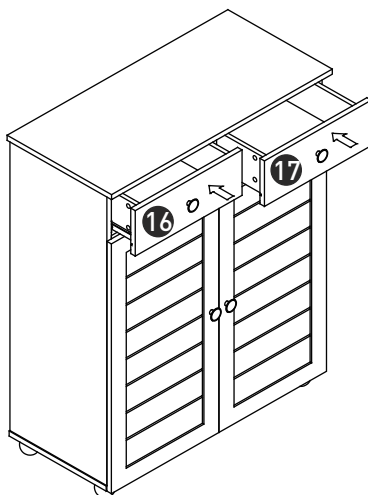
# ASSEMBLY INSTRUCTIONS

## Step 18

G		12	
L		2	
M		2	

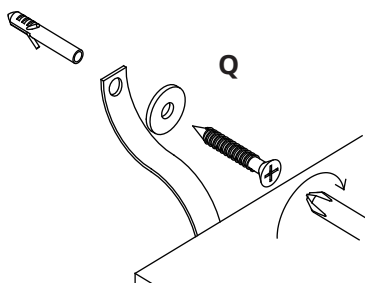
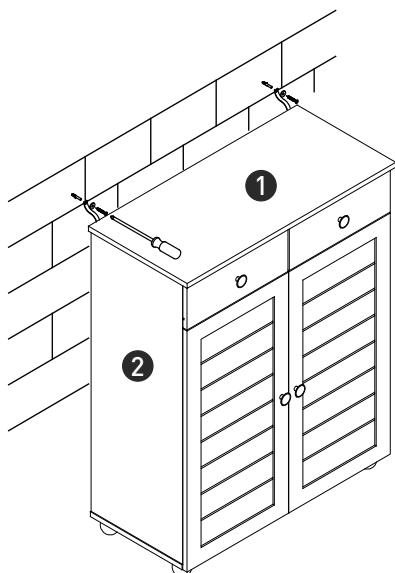
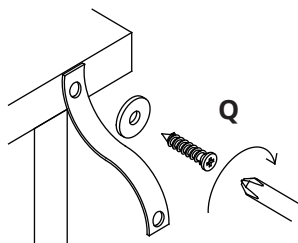
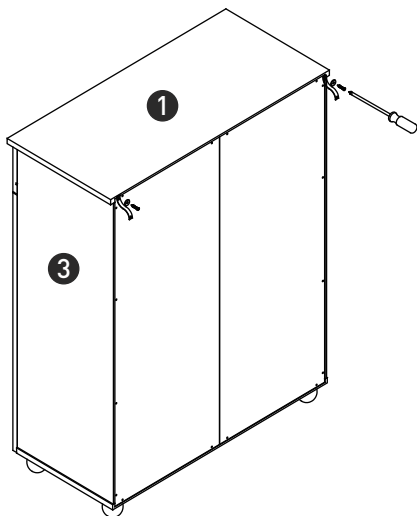
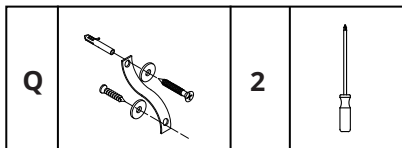


## Step 19



# ASSEMBLY INSTRUCTIONS

## Step 20



# ASSEMBLY INSTRUCTIONS

---

