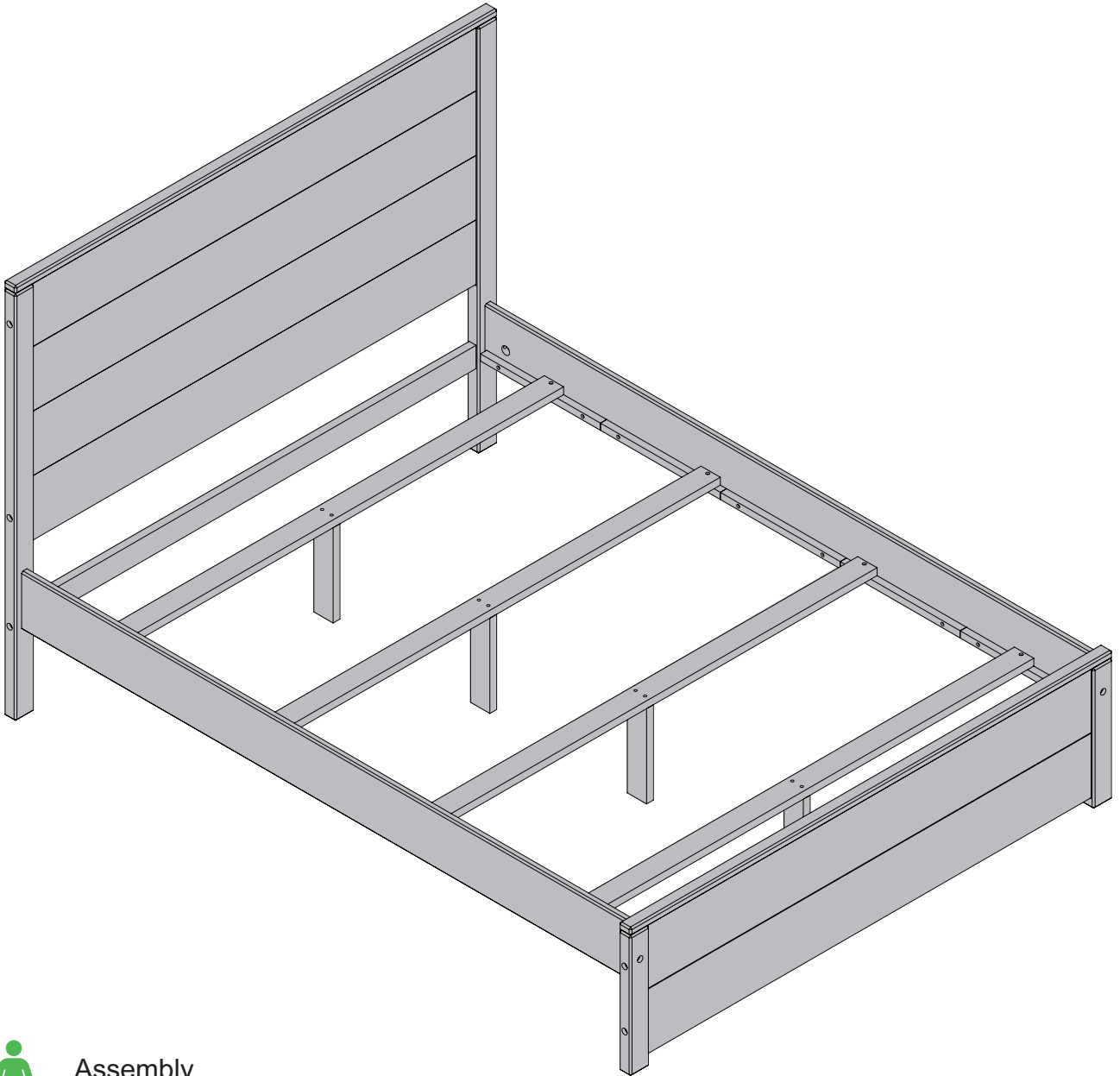


# Queen Size



Assembly  
02 people



Time  
1:30 hours approximately

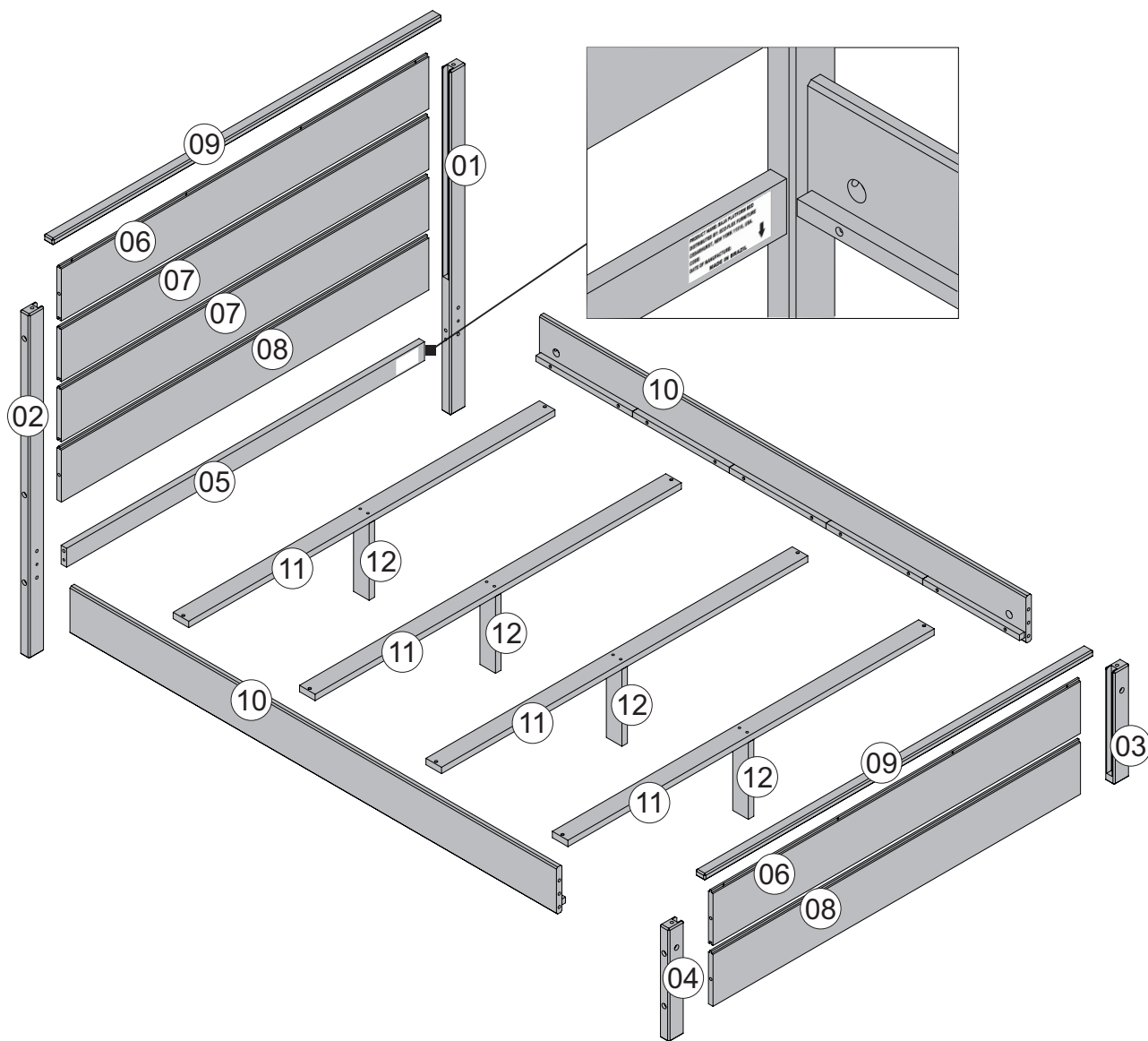


Tools  
philips key, rubber hammer



Volume quantity  
01 box

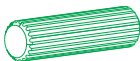
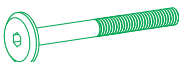




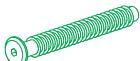

Parts list for assembly. Please confirm all parts available before assembly

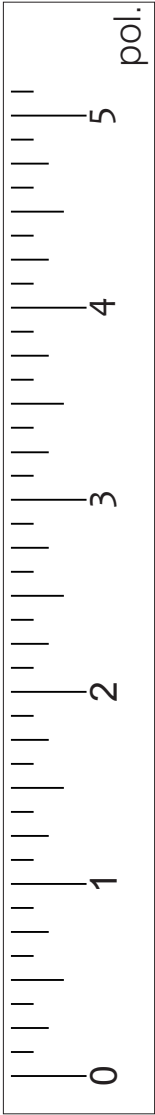


### ATTENTION

- \* Read and observe carefully all the assembly instructions before beginning assembly.
- \* The assembly of the product must be done on a clean and flat surface. We suggest to use the packaging to cover the floor to avoid damages.
- \* The screws must be tightened periodically.
- \* Avoid contact with sharp objects.
- \* Avoid banging pieces together.

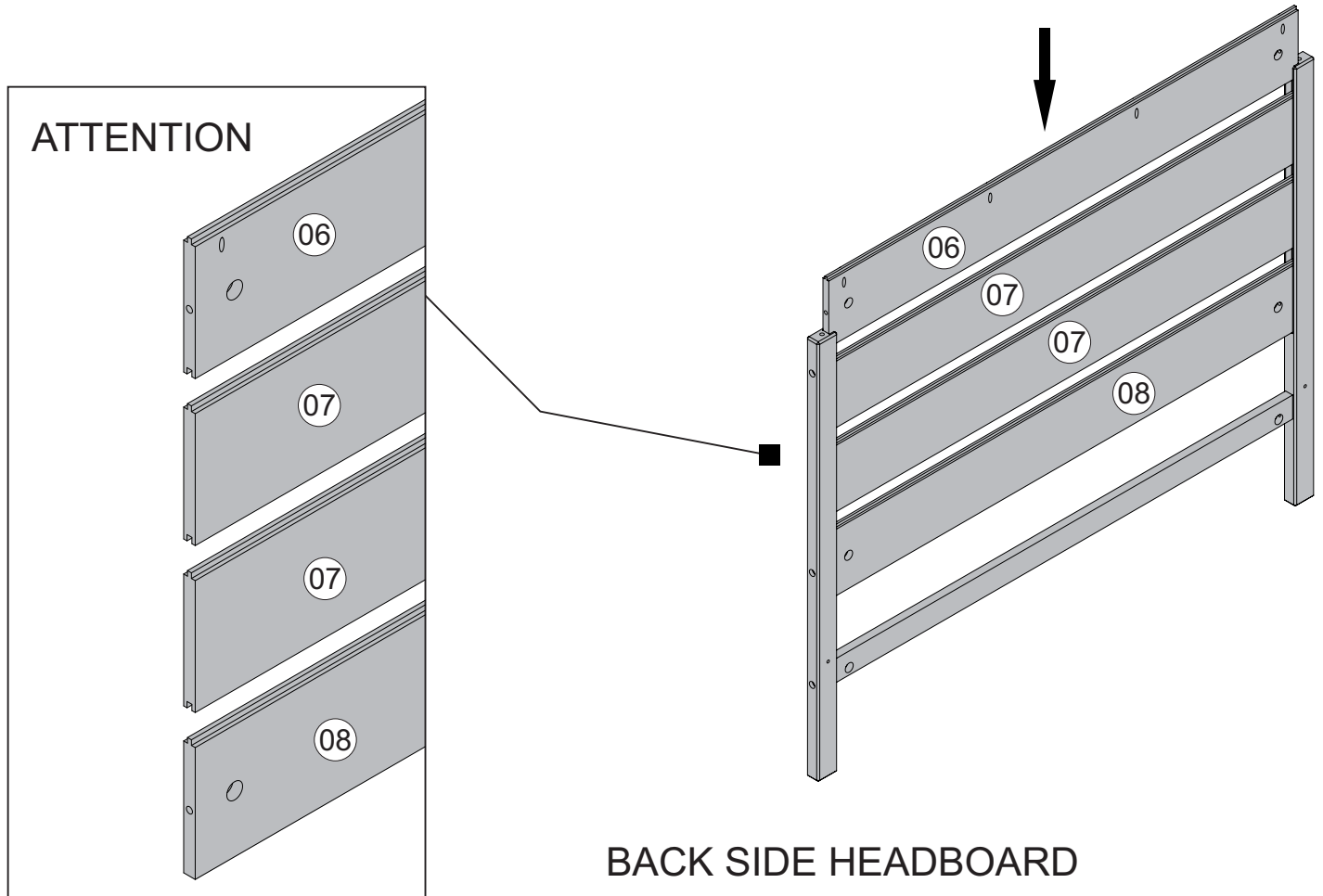
Hardware list for assembly.  
Please confirm all hardware available before assembly

A	 $\emptyset 3/8" \times 1' 9/16"$	14x	+	SPARE	02x
B	 $\emptyset 1/4" \times 4' 1/4"$	14x	+		02x
F		01x	+		01x
AP	 $\emptyset 1/8" \times 1' 3/8"$	16x	+		02x
BC	 $1/4"$	14x	+		02x
BJ	 $\emptyset 3/4"$	12x	+		02x
BL	 $\emptyset 1/4" \times 2"$	08x	+		01x
BV	 $\emptyset 1/4"$	04x			

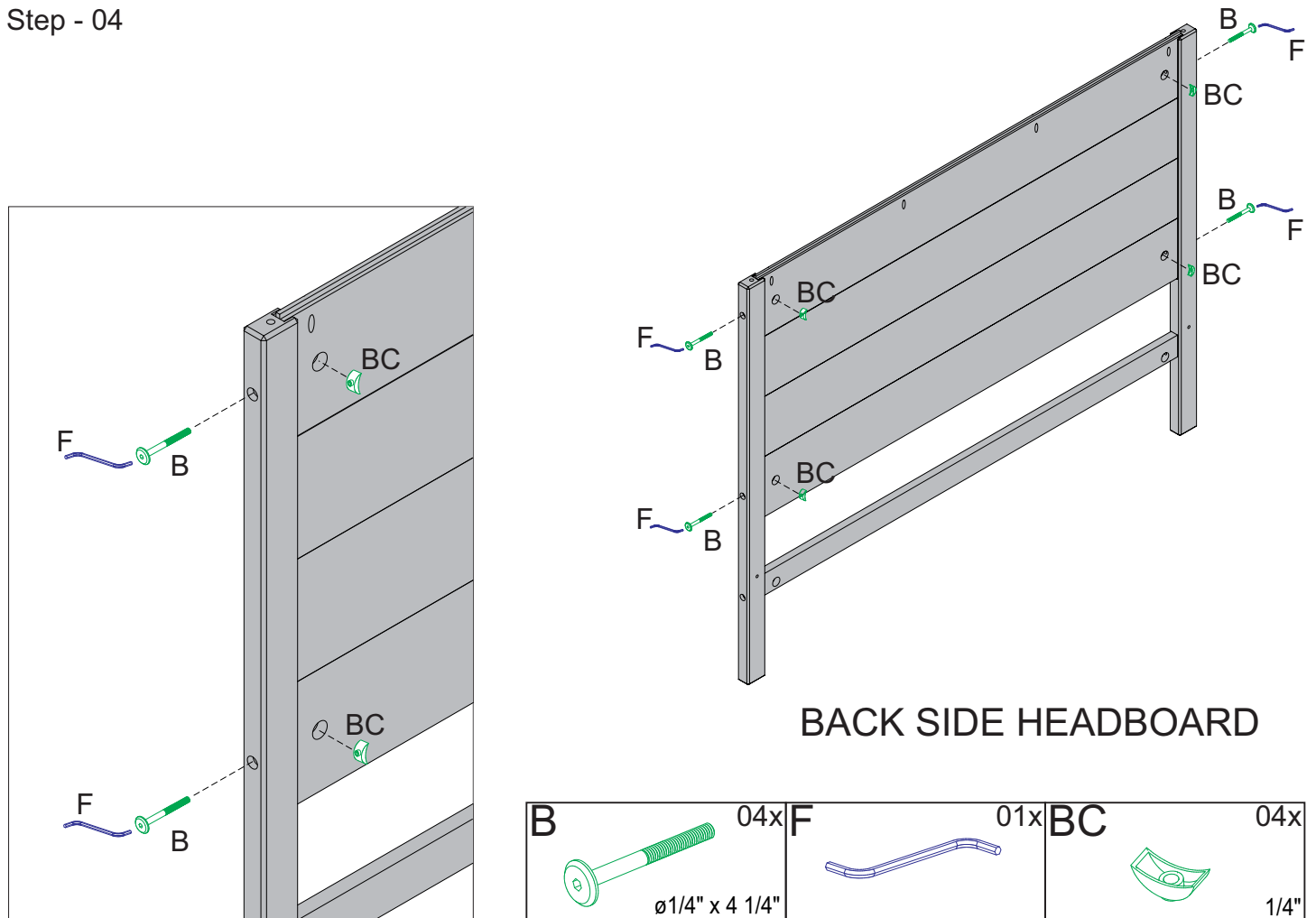




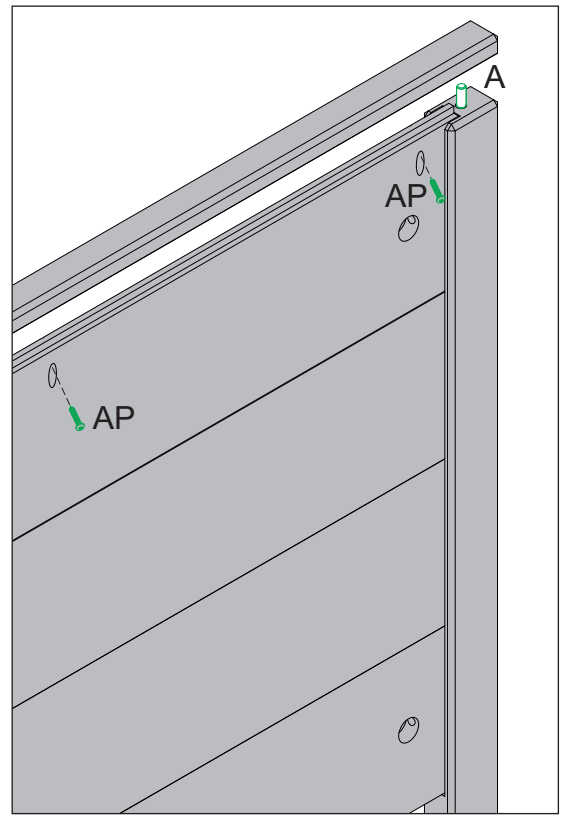
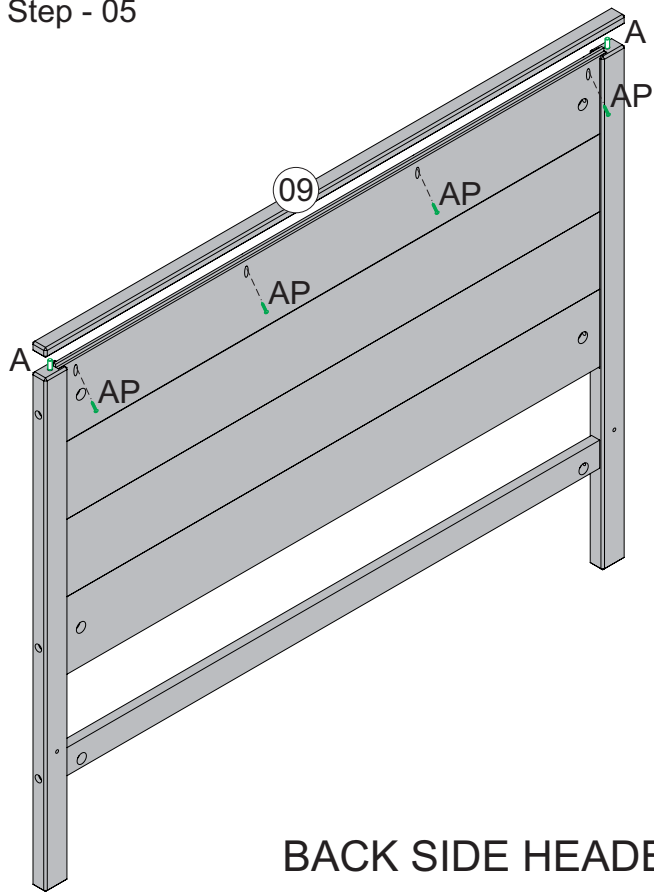
Step - 03



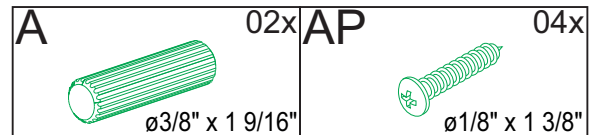
Step - 04



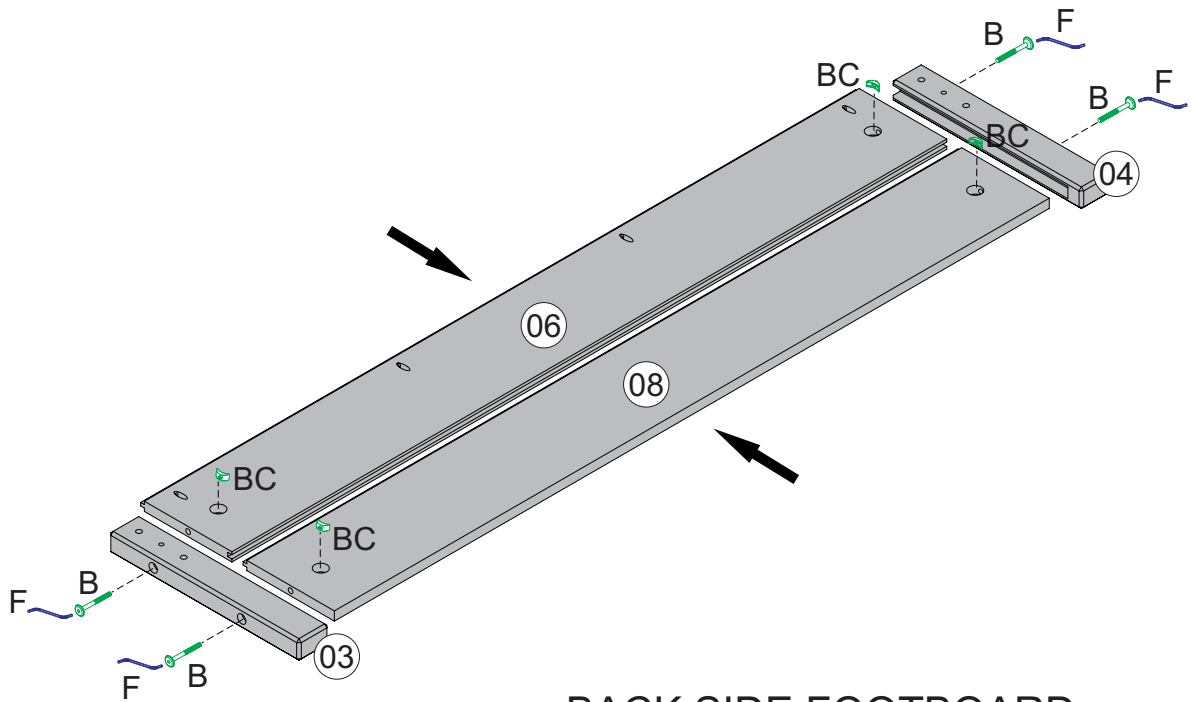
Step - 05



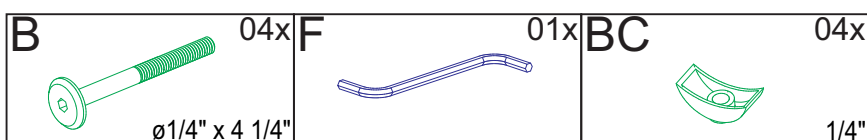
BACK SIDE HEADBOARD

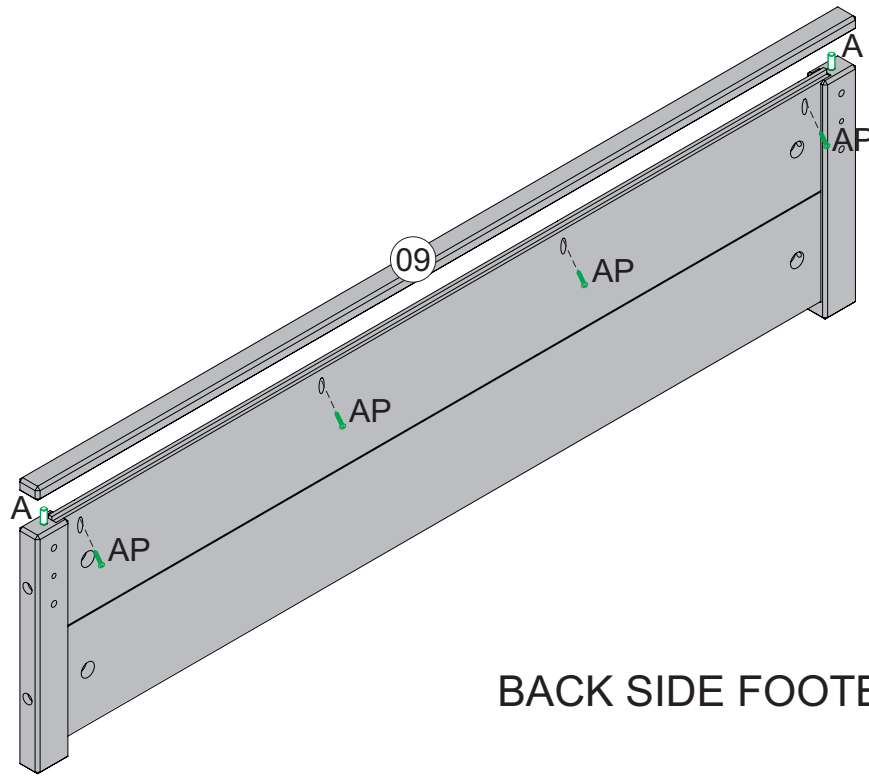


Step - 06

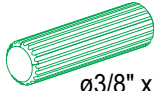



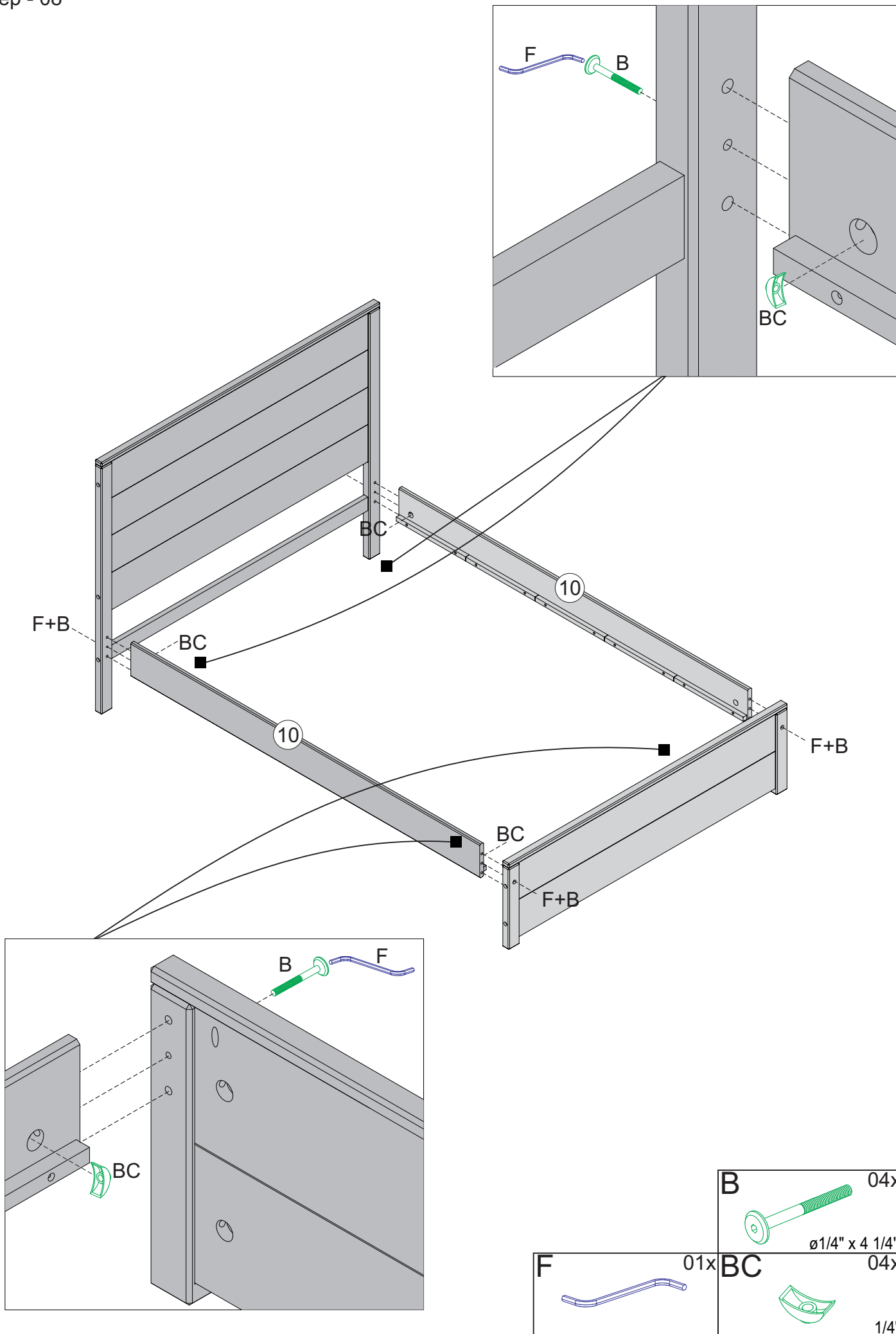
BACK SIDE FOOTBOARD



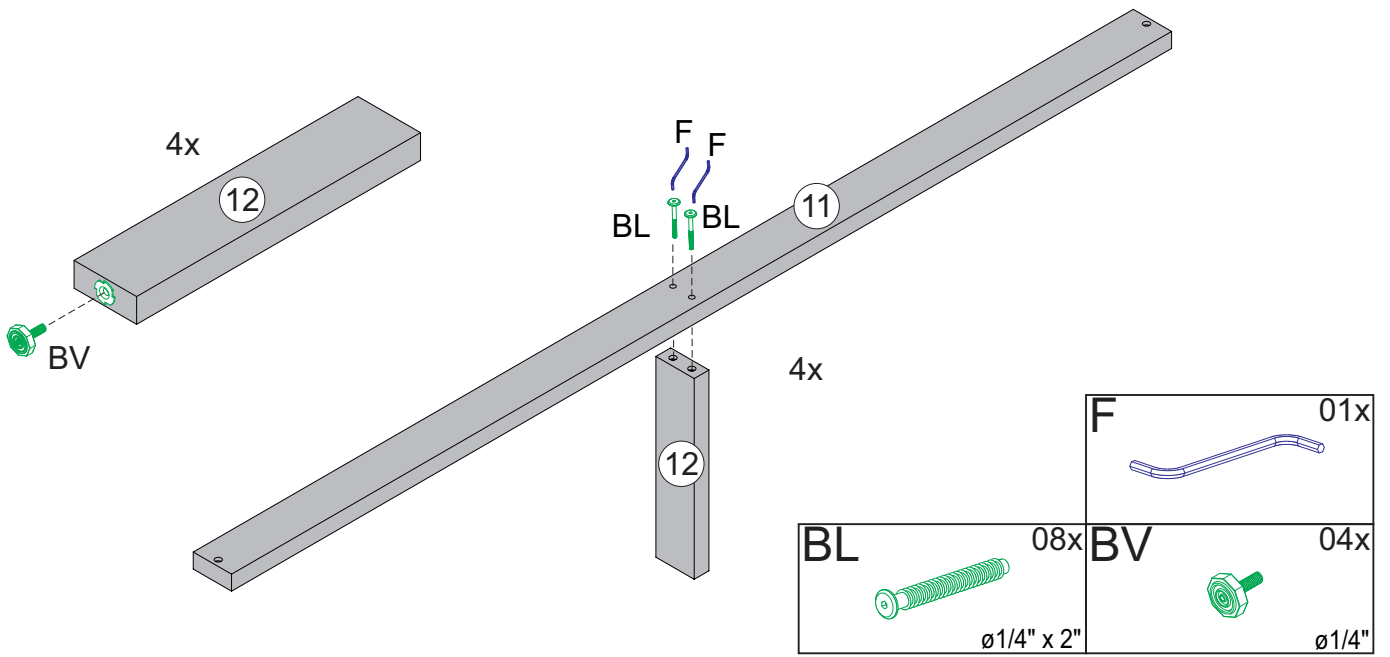


BACK SIDE FOOTBOARD

<b>A</b>  02x ø3/8" x 1 9/16"	<b>AP</b>  04x ø1/8" x 1 3/8"
--	--



Step - 09



Step - 10

