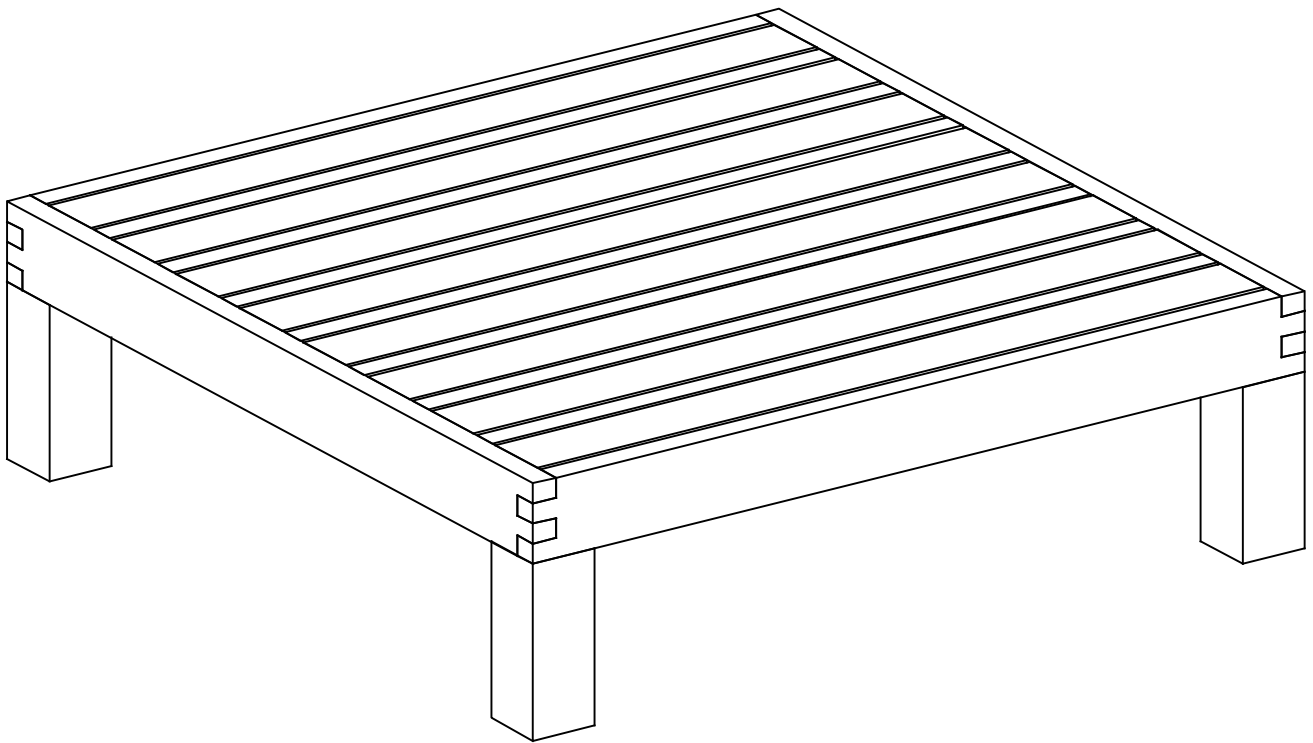


# Assembly Instructions

**CAUTION:** You must read this before you proceed.

## TABLE

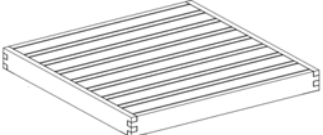


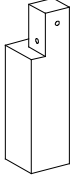
**CAUTION :** This Table is NOT a TOY.

Keep your child / children at bay in the process of assembly.

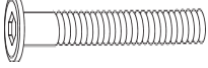


For turning the Table and to prevent damage to the Table, 02 persons may be needed to execute this action.

### Parts List

No.	Picture	Description	Qty
A		Table Top	1

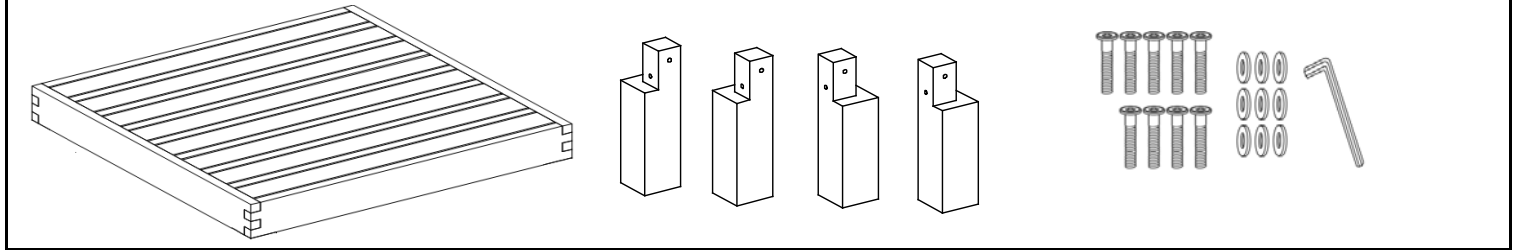
B		Legs	4
---	--	------	---






**Hardware**

No.	Picture	Description	Qty
①		Bolt (M6 x 50mm)	9
②		Flat Washer (M6xD1.5mm)	9
③		Allen Key	1

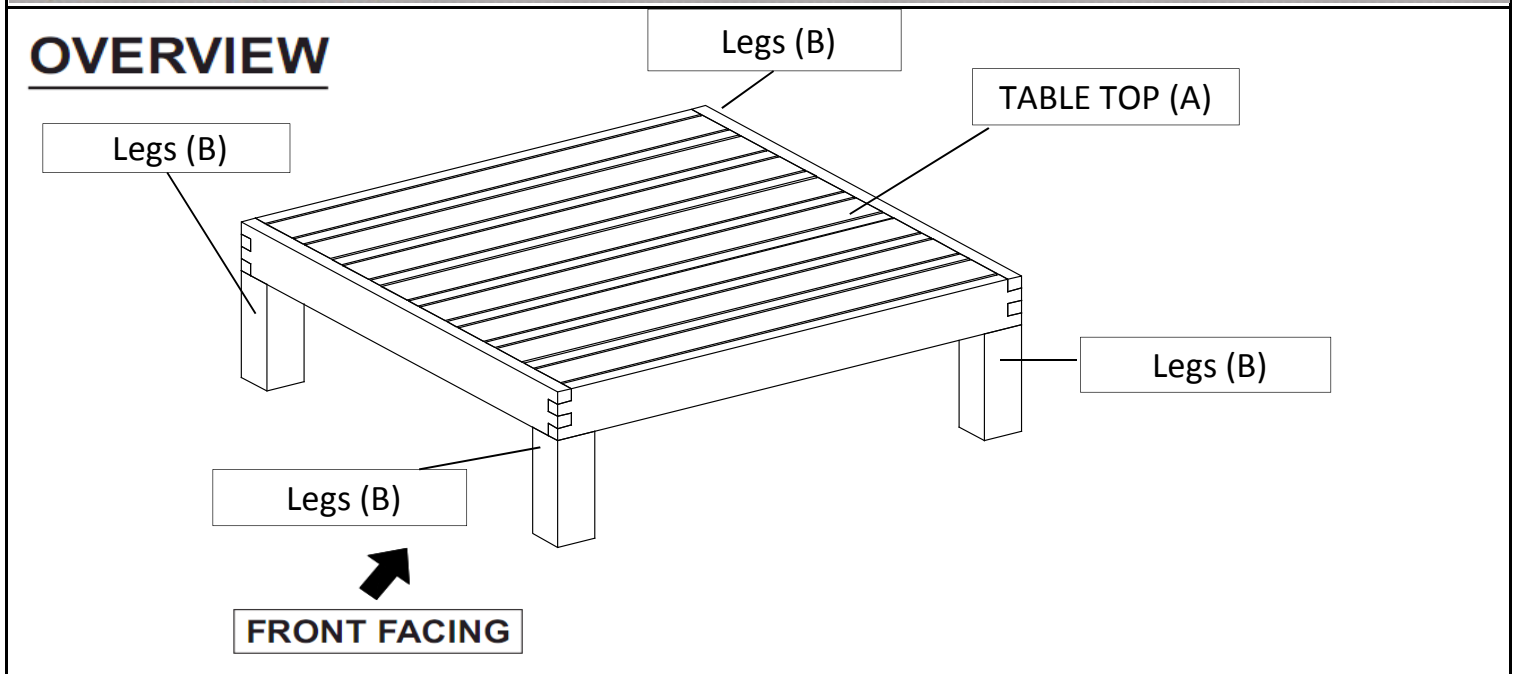
**Assembly Preparation**

Before Beginning Assembly:



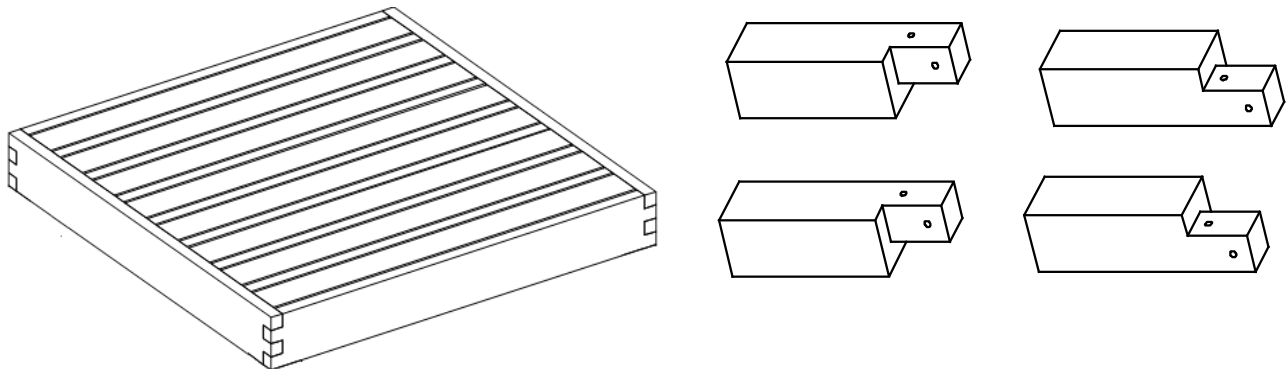
-   Read instructions, cover to cover.
-   Have 2 adults on hand for assembly.
-   Do not assemble on flooring or carpet.
-   Assemble on a clean non-marring surface (packing foam).
-   Save all packaging until finished.

**Assembly Steps**



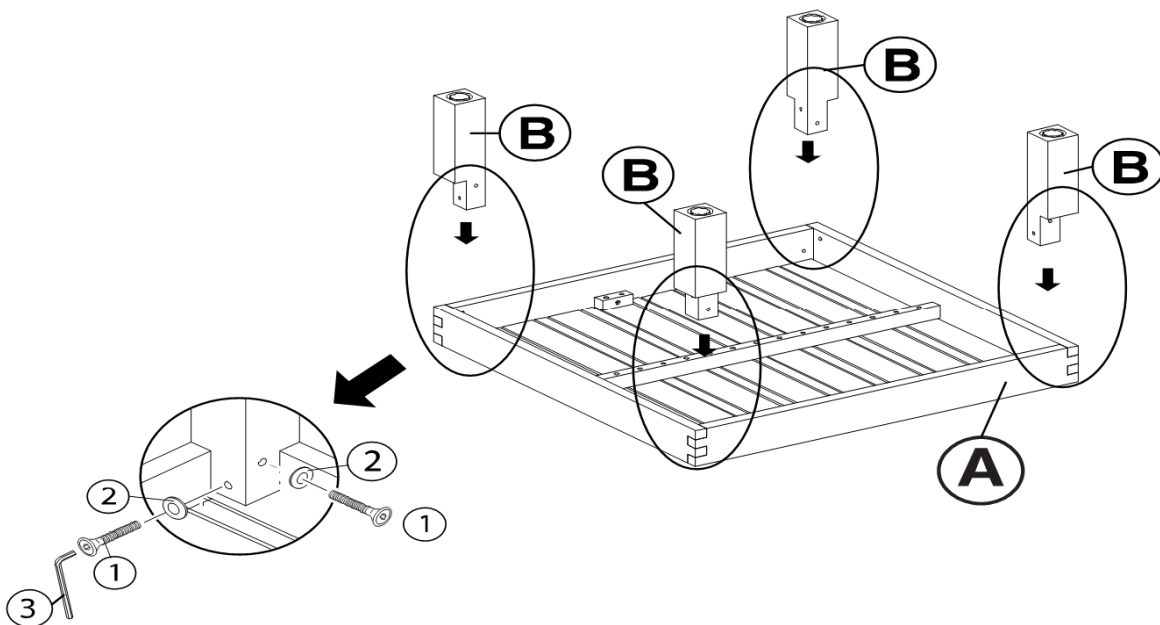
This Table has multiple parts and may require up to 30 minutes to assemble.  
To give you an overview of the Table parts, the above picture is to help you put the various parts into perspective.  
Please read through the instructions herebelow to familiarise the parts and steps before assembly.

### Step 1



Unpack and place all parts on a clean, non-marring surface.

### Step 2



Place the Table Top (A) with its underside skywards onto a clean, soft surface to avoid any scratch or damage to the product.

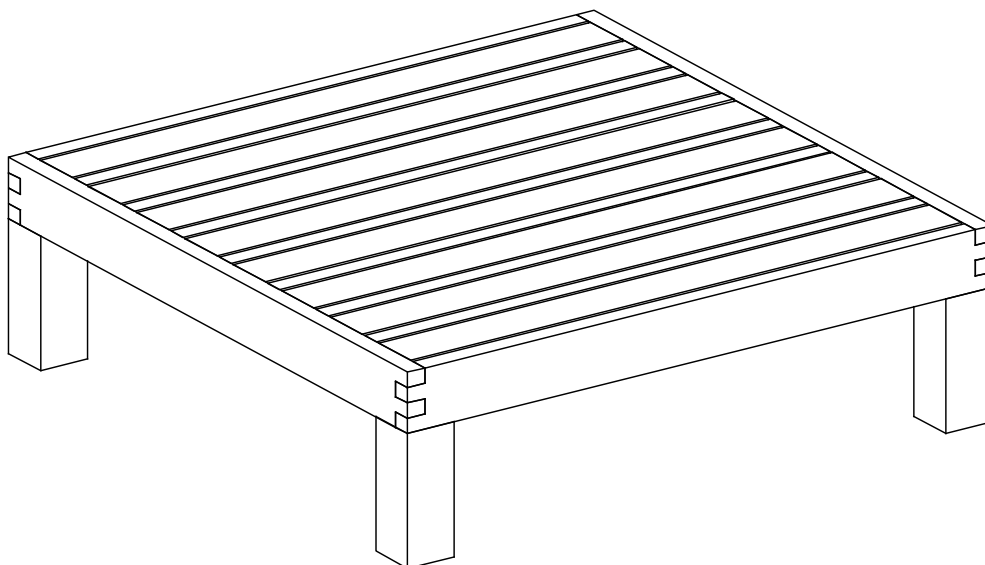
Affix loosely the Legs (B), 2nd into the mounting position at the corners of the Table Top (A), using the Bolts (1) with Flat Washers (2), with the Allen Key (3), as shown above. Repeat the same process with the other Leg (B).

**CAUTION: When tightening these screws, tighten sequentially.**

**DO NOT** tighten any screw fully and then towards the next one.

**This would cause the frame to warp.**










**WARNING ! IF END TABLE IS NOT STABLE , IT COULD LEAD TO DAMAGING THE PRODUCT.**

**Step 3**

Turn the Table right side up  
 Ensure all bolts are fully locked into position.  
 The Table is ready to be used.

**Caution: This Table can only be used on a flat, level surface.**

## Care & Maintenance

- 
 Do not put hot items directly on furniture surface
  - 
 Do not clean furniture with harsh cleansers or polish.
  - 
 To obtain the longest lifespan of your outdoor products, minimizing exposure to direct sunlight is recommended.
  - 
 Children should not climb or jump on the furniture.
  - 
 Do not write on furniture without a padded barrier to protect the surface.
  - 
 To obtain the longest lifespan of your outdoor products, avoid extended and lengthy exposure to rain, snow, and direct sunshine. Whenever possible cover the product and /or place under patio or awnings.
  - 
 Not for commercial use. For residential use only .
  - 
 Stains may be removed with mild soap solution and damp cloth.
- 
- 
 Dust and pick-up spills using a clean, non-colored, lint-free cloth .

## Questions & Answers about Proposition 65

- What is Proposition 65?

Proposition 65 requires businesses to provide warnings to Californians about significant exposures to chemicals that cause cancer, birth defects or other reproductive harm. These chemicals can be in the products that Californians purchase, in their homes or workplaces, or that are released into the environment. By requiring that this information be provided, Proposition 65 enables Californians to make informed decisions about their exposures to these chemicals.

Proposition 65 also prohibits California businesses from knowingly discharging significant amounts of listed chemicals into sources of drinking water.

Proposition 65 requires California to publish a list of chemicals known to cause cancer, birth defects or other reproductive harm. This list, which must be updated at least once a year, has grown to include approximately 900 chemicals since it was first published in 1987.

- What types of chemicals are on the Proposition 65 list?

The list contains a wide range of naturally occurring and synthetic chemicals that include additives or ingredients in pesticides, common household products, food, drugs, dyes, or solvents. Listed chemicals may also be used in manufacturing and construction, or they may be byproducts of chemical processes, such as motor vehicle exhaust.

- What does a warning mean?

If a warning is placed on a product label or posted or distributed at a workplace, a business, or in rental housing, the business issuing the warning is aware or believes that it is exposing individuals to one or more listed chemicals.

By law, a warning must be given for listed chemicals unless the exposure is low enough to pose no significant risk of cancer or is significantly below levels observed to cause birth defects or other reproductive harm.

- Where can I get more information on Proposition 65?

If you have specific questions on the administration or implementation of Proposition 65, you can contact OEHHA's Proposition 65 program at [P65.Questions@oehha.ca.gov](mailto:P65.Questions@oehha.ca.gov), or by phone at (916) 445-6900.]