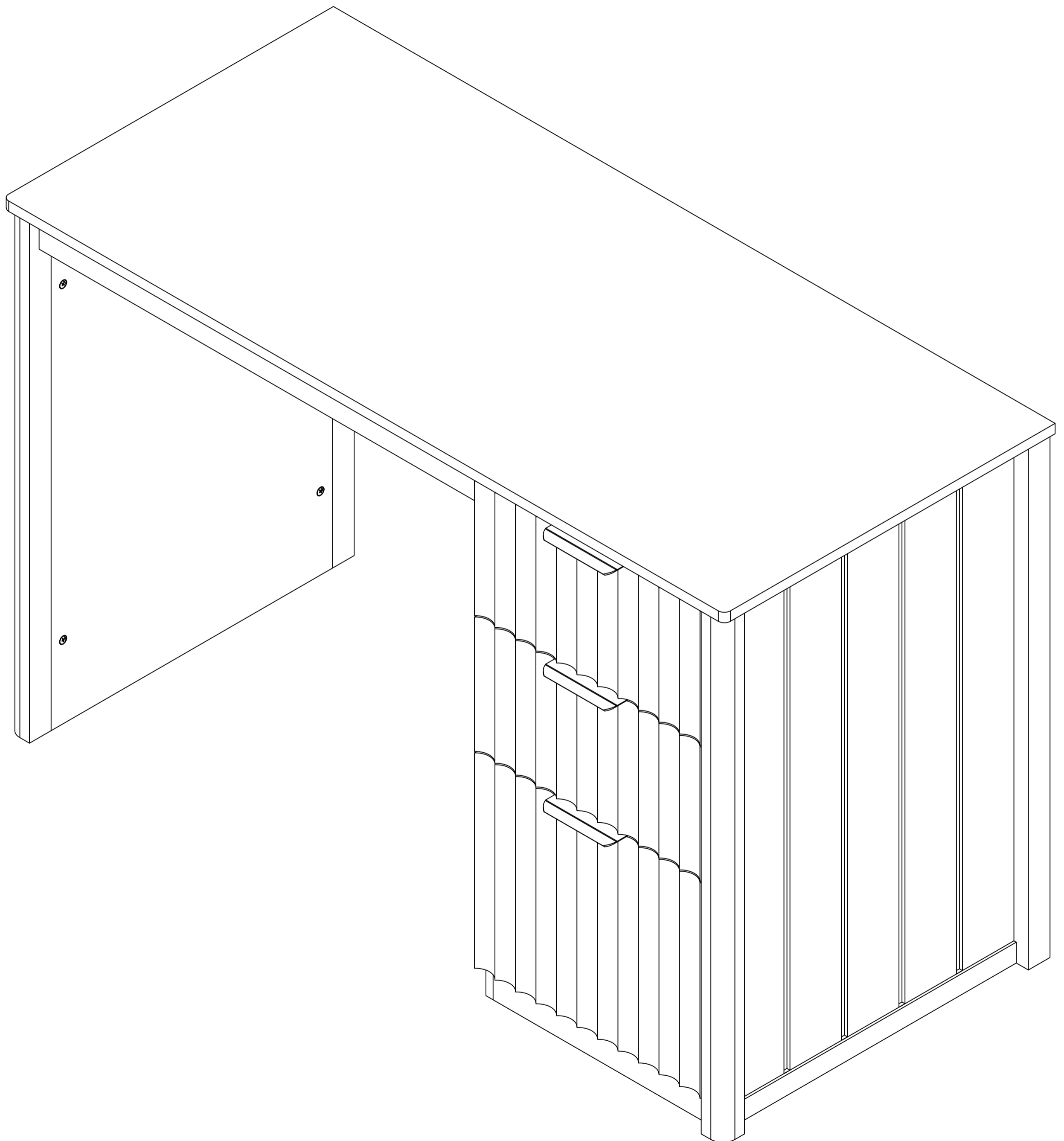
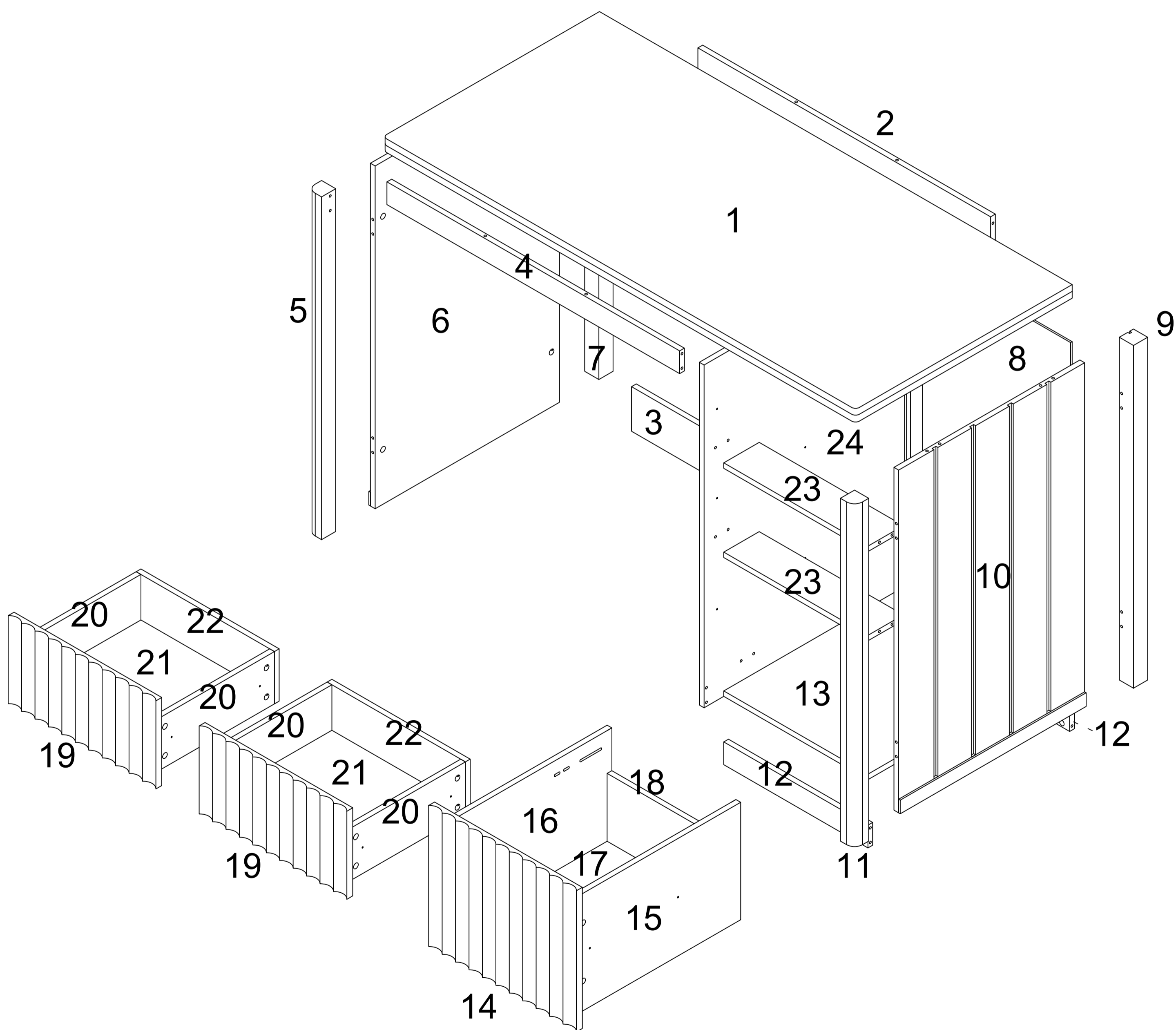
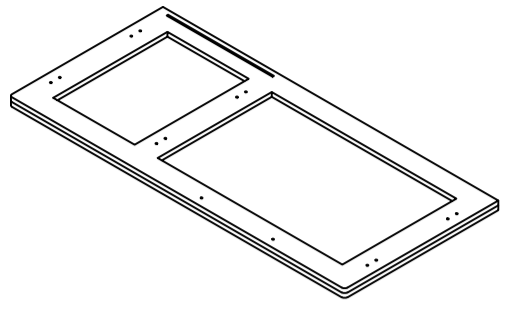


Product Installation Instructions

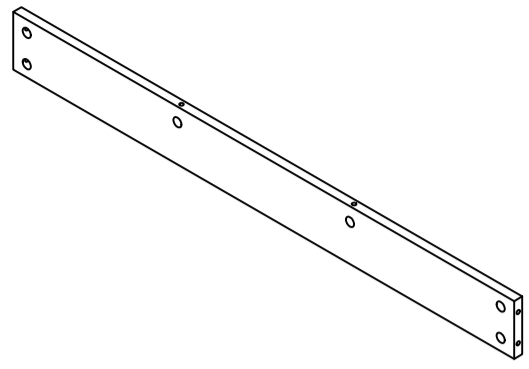


Product Explosion diagram

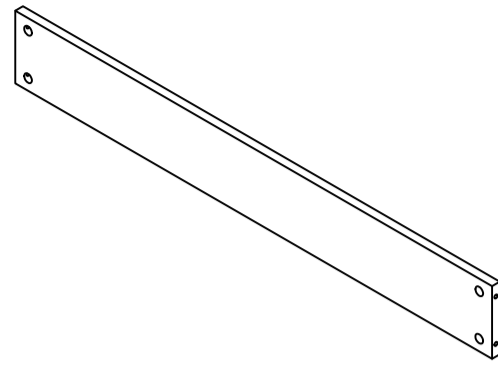




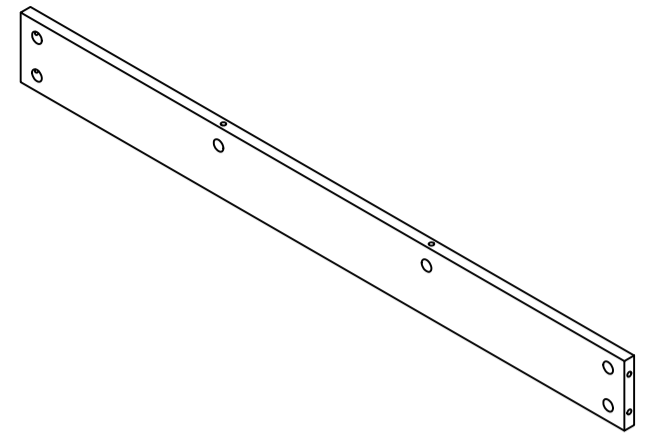
1x1



2x1



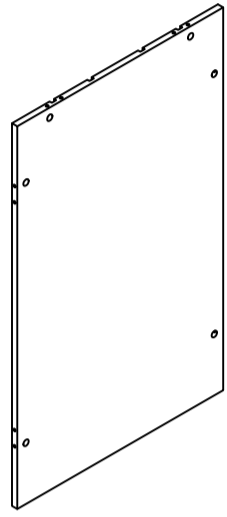
3x1



4x1



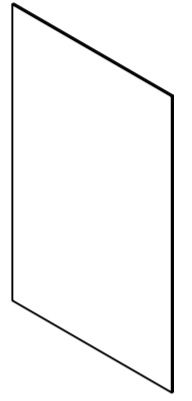
5x1



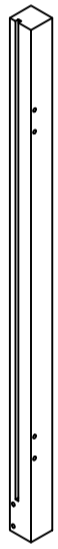
6x1



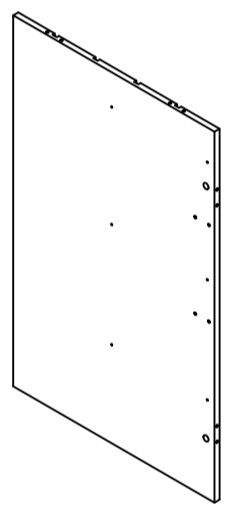
7x1



8x1



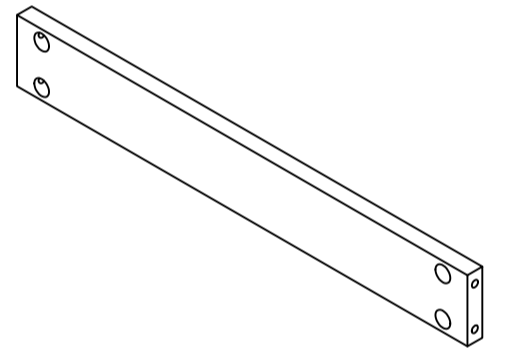
9x1



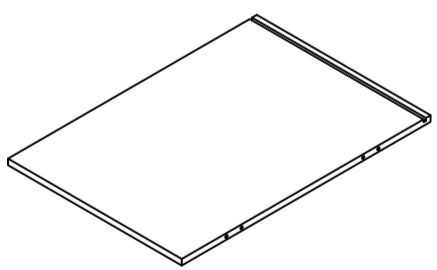
10x1



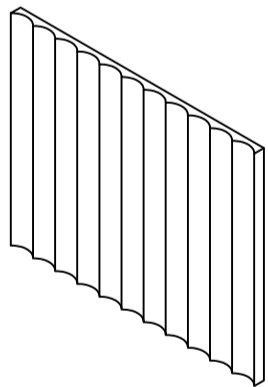
11x1



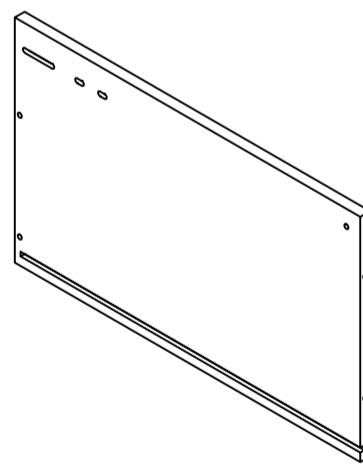
12x2



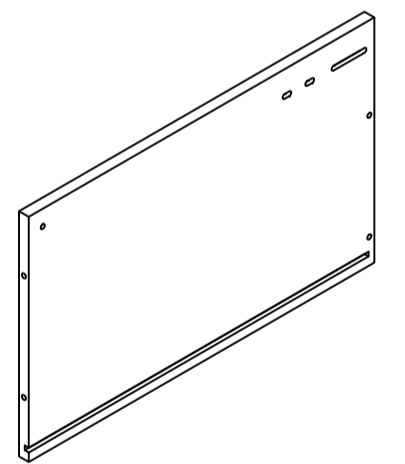
13x1



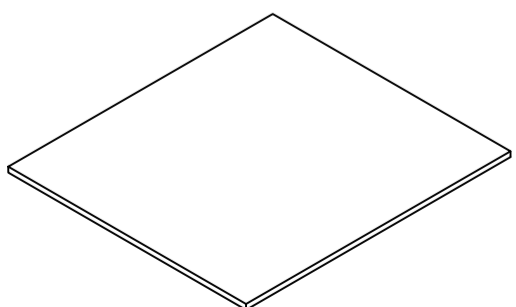
14x1



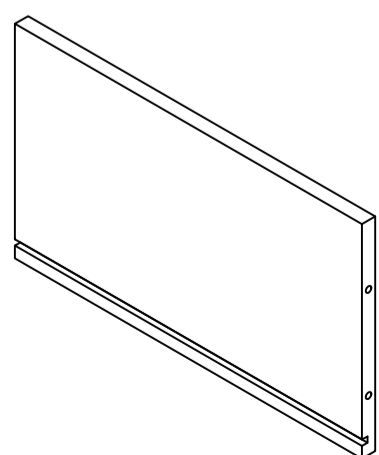
15x1



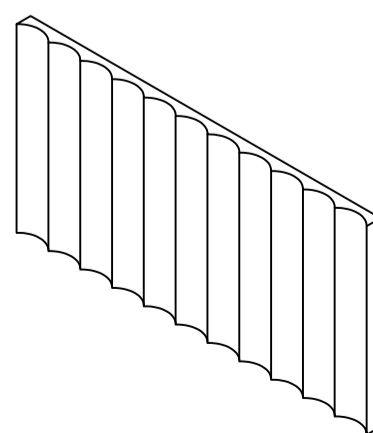
16x1



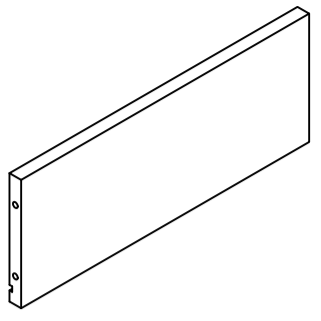
17x1



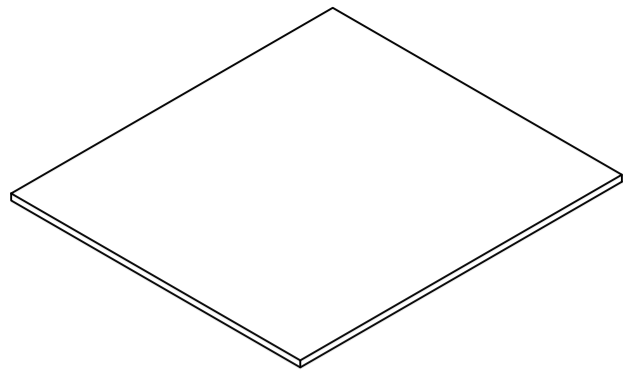
18x1



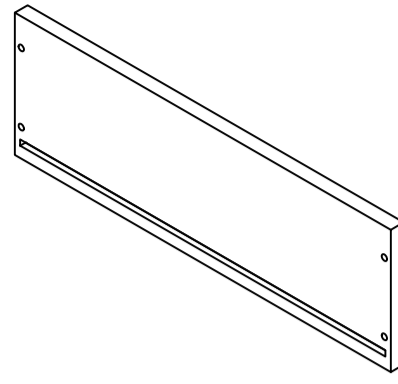
19x2



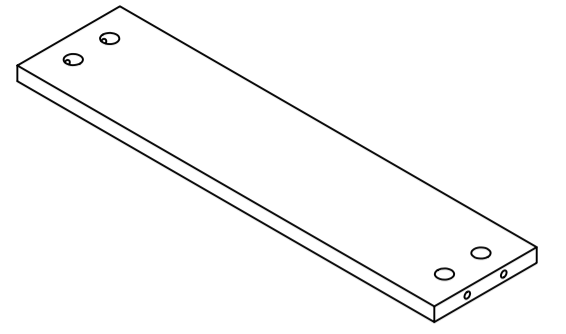
20x4



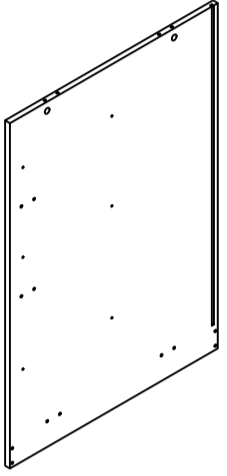
21x2



22x2

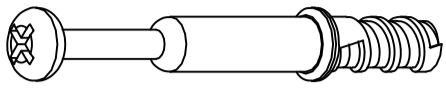

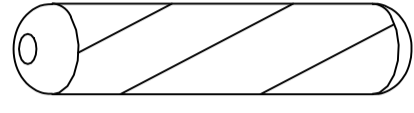
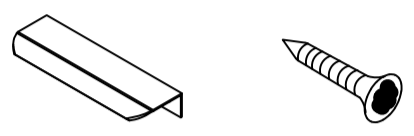
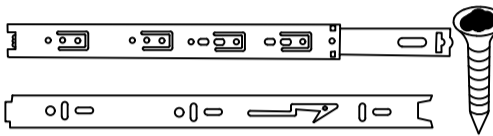
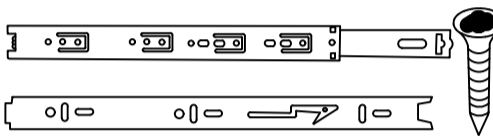
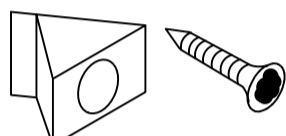
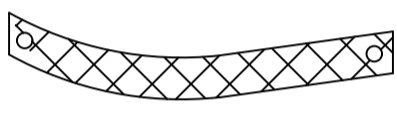

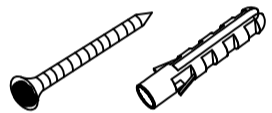
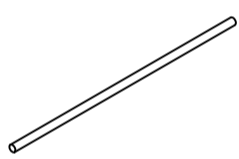

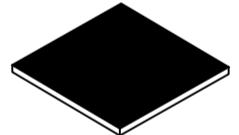
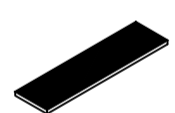


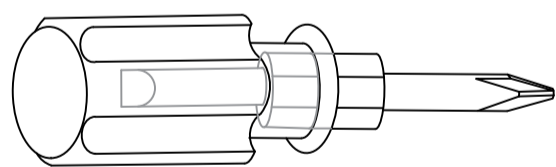
23x2



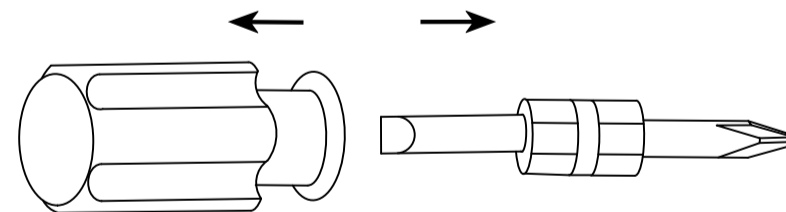
24x1

Accessories list

A		Two In One Screw (6x28mm)	74pcs +3pcs
B		Two In One Nut (10x12mm)	74pcs +3pcs
C		Wood Chipping (6x30mm)	18pcs +1pcs
D		Handle & Screw (3.5x12mm)	3pcs / 6pcs +1pcs
E		Screw & Guide 12 inches (3x12mm)	4pcs / 20pcs +2pcs
F		Screw & Guide 14 inches (3x12mm)	2pcs / 10pcs +1pcs
G		Fixing clip & screw (3x16mm)	6pcs +1pcs
		Anti-tipping tape	1pcs
H		Screw (3.5x12mm) Gasket	1pcs
		Countersunk head tapping Screw (4x45mm)	1pcs
I		Iron wire	2pcs
J		Foot pads 36*36x2mm-R20	2pcs
K		Foot pads 36*36x2mm	2pcs
L		Foot pads	2pcs

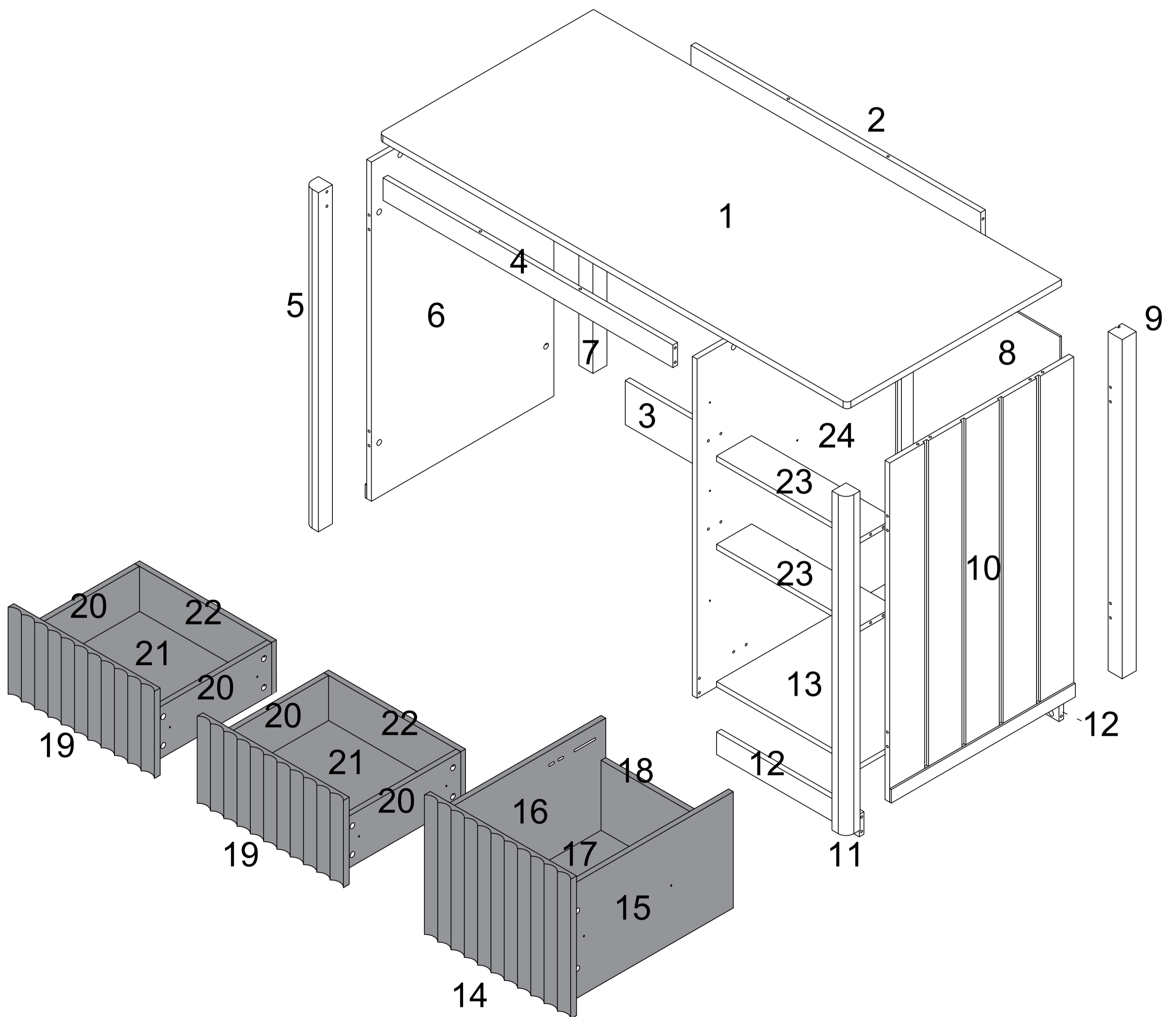


1pcs



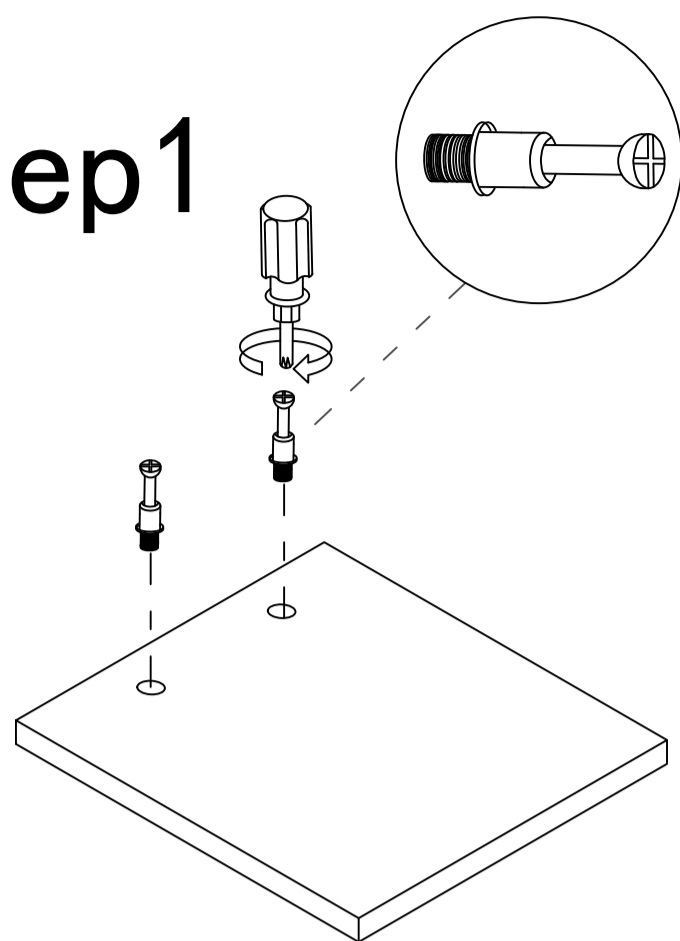
Double-head screwdriver, use as required

Product Explosion diagram

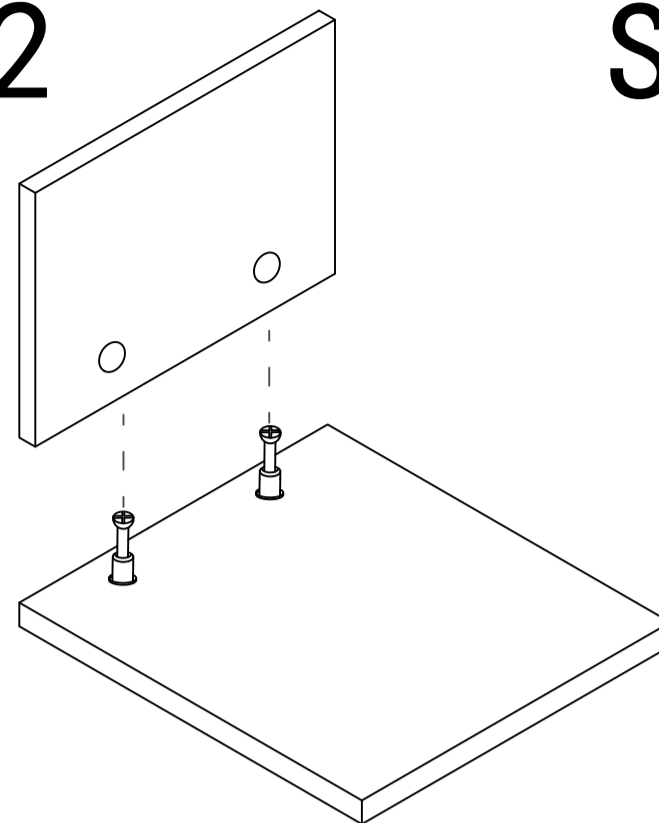


Use parts A and B

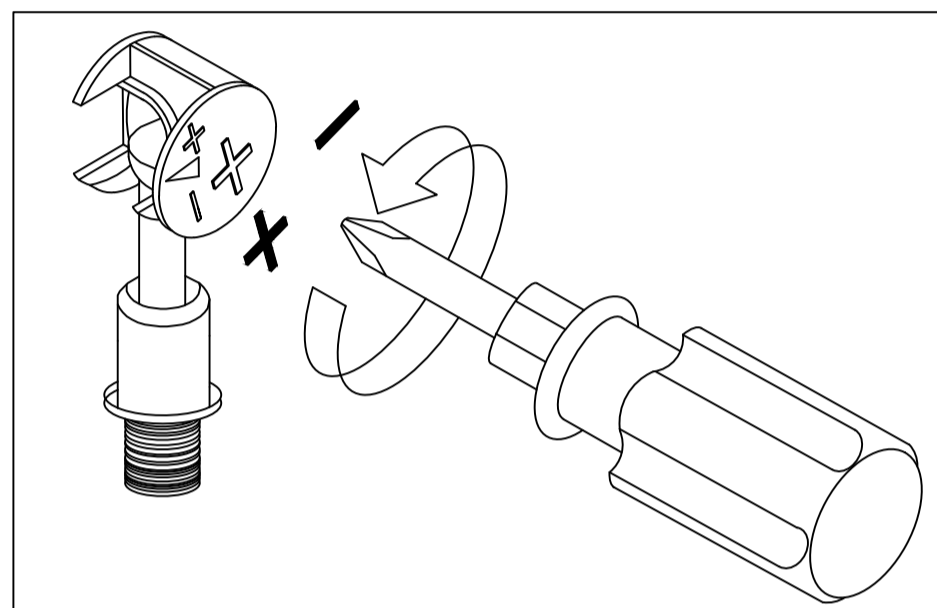
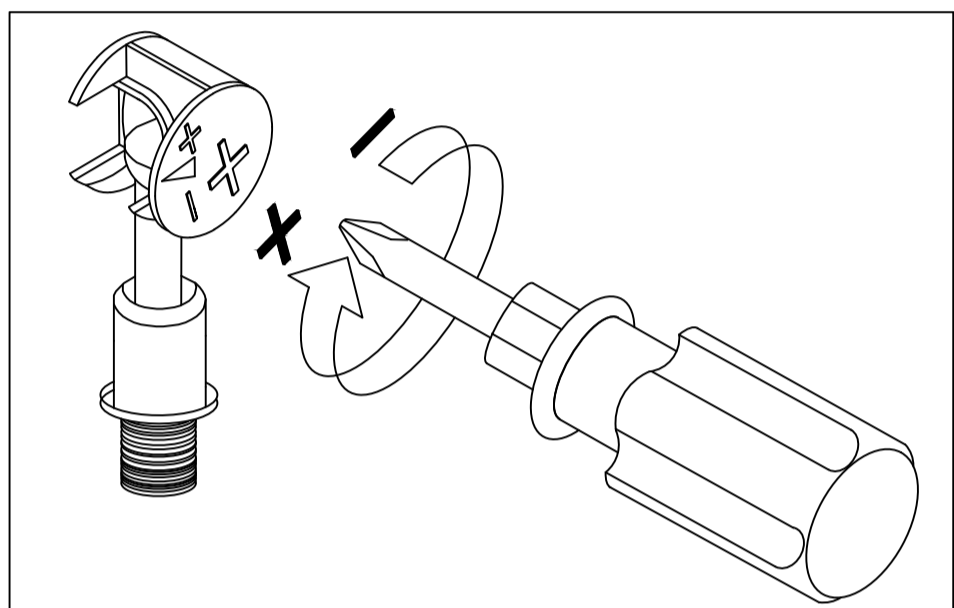
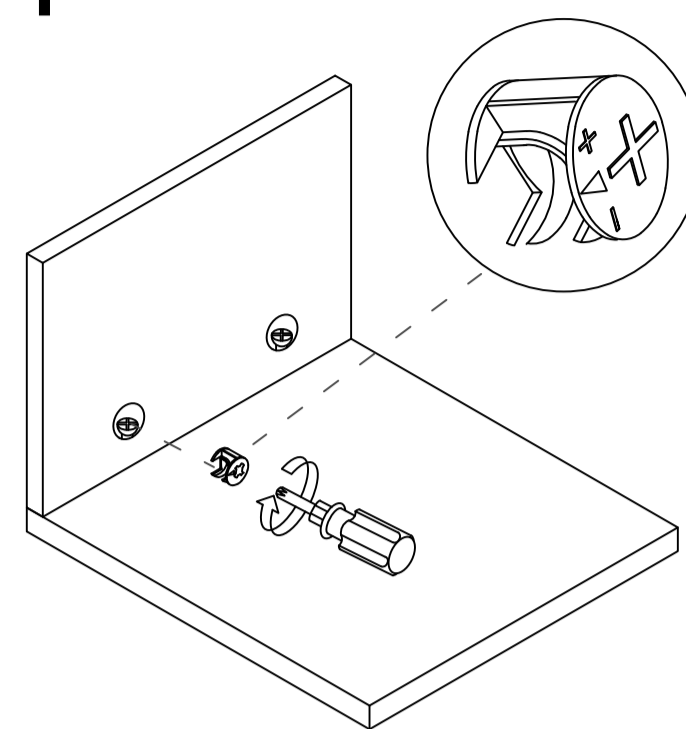
Step 1



Step 2



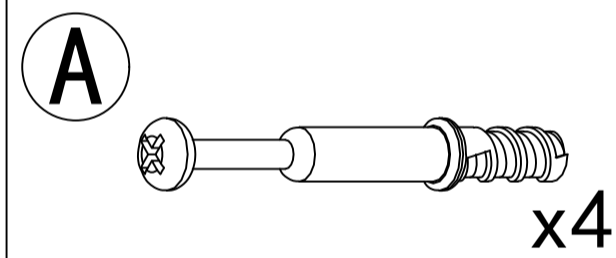
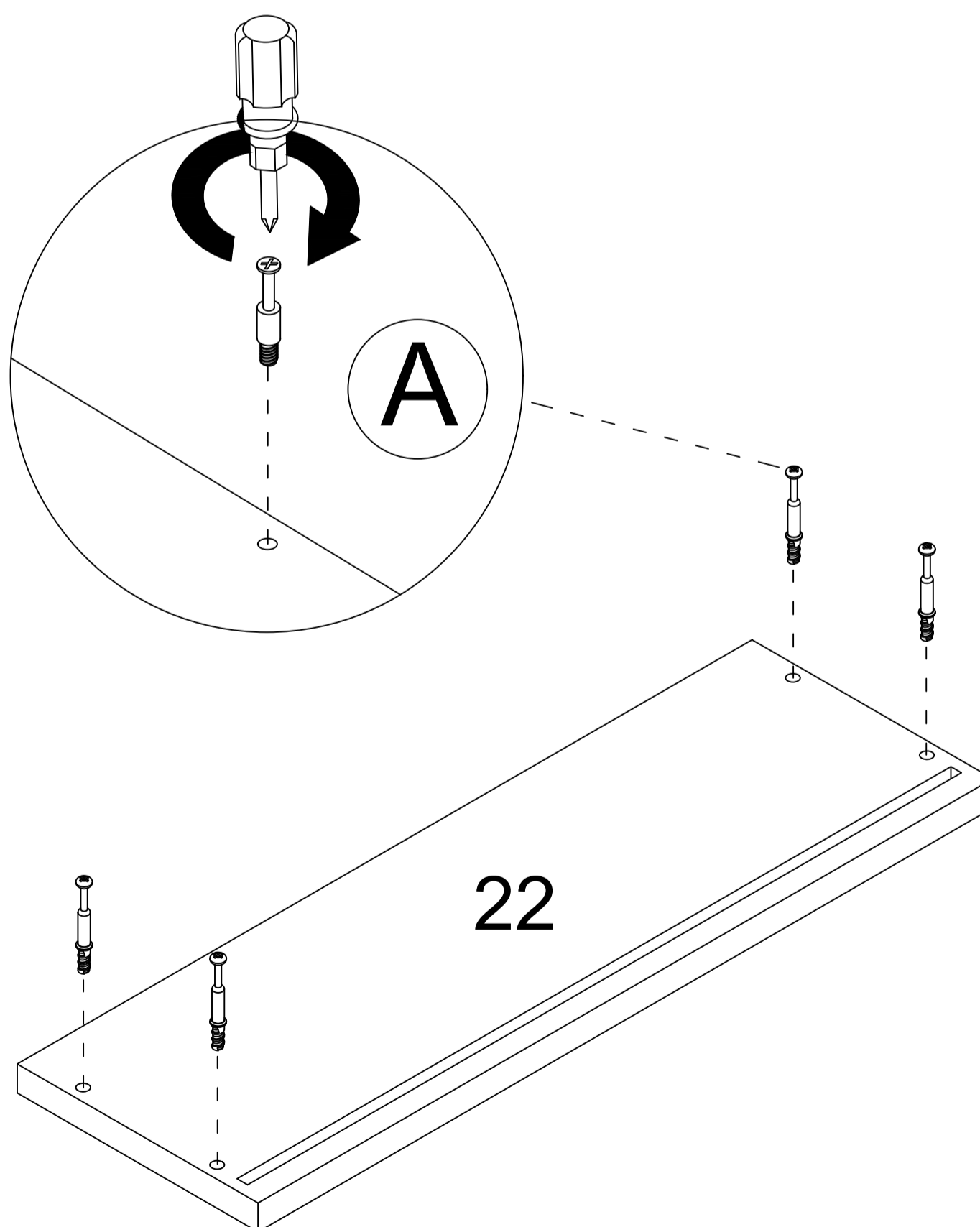
Step 3



Use a screwdriver to lock in the direction of the "+" sign

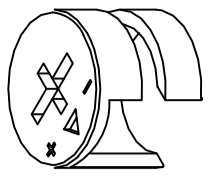
Disassemble along the direction of "-" sign

Step 1

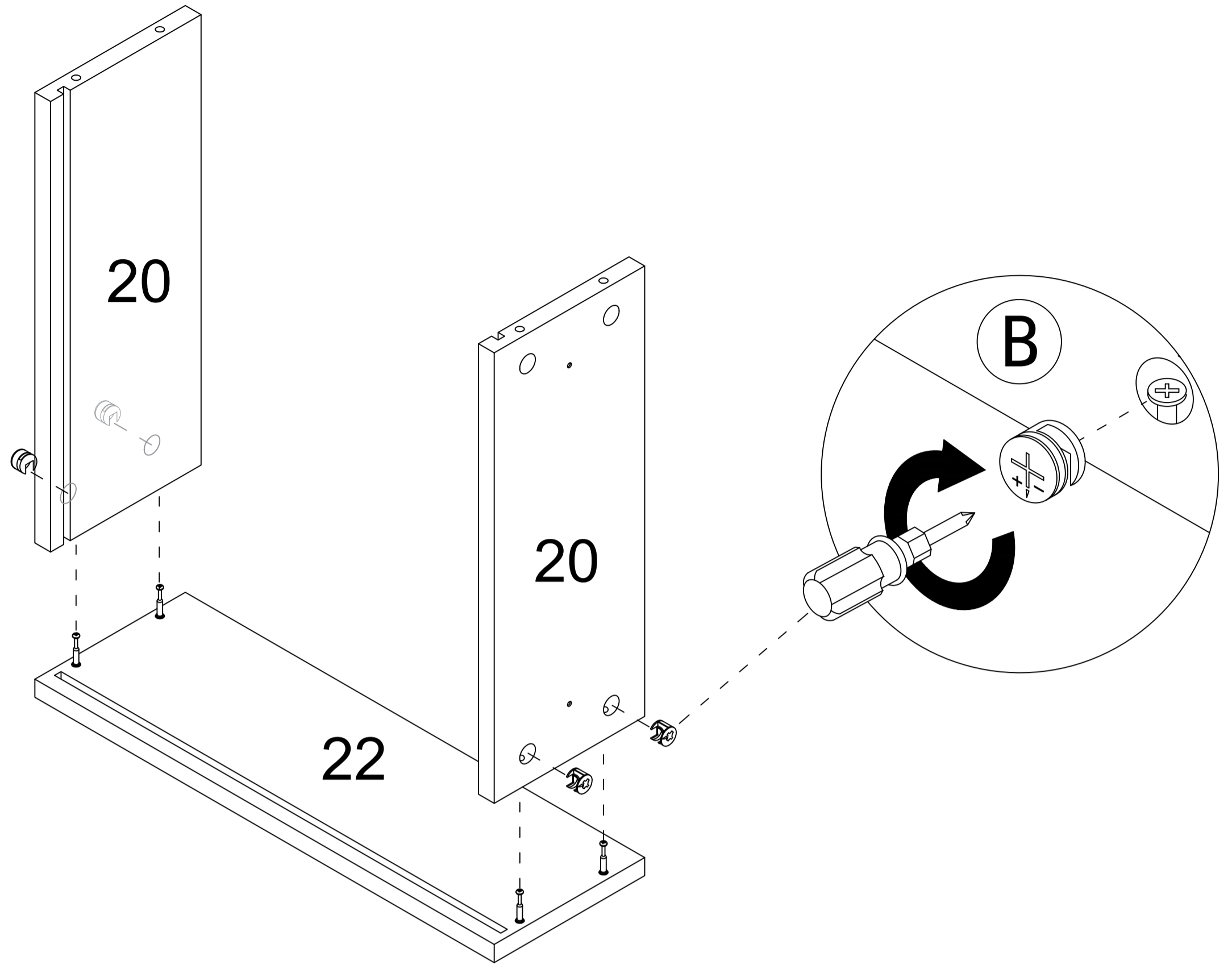


Step 2

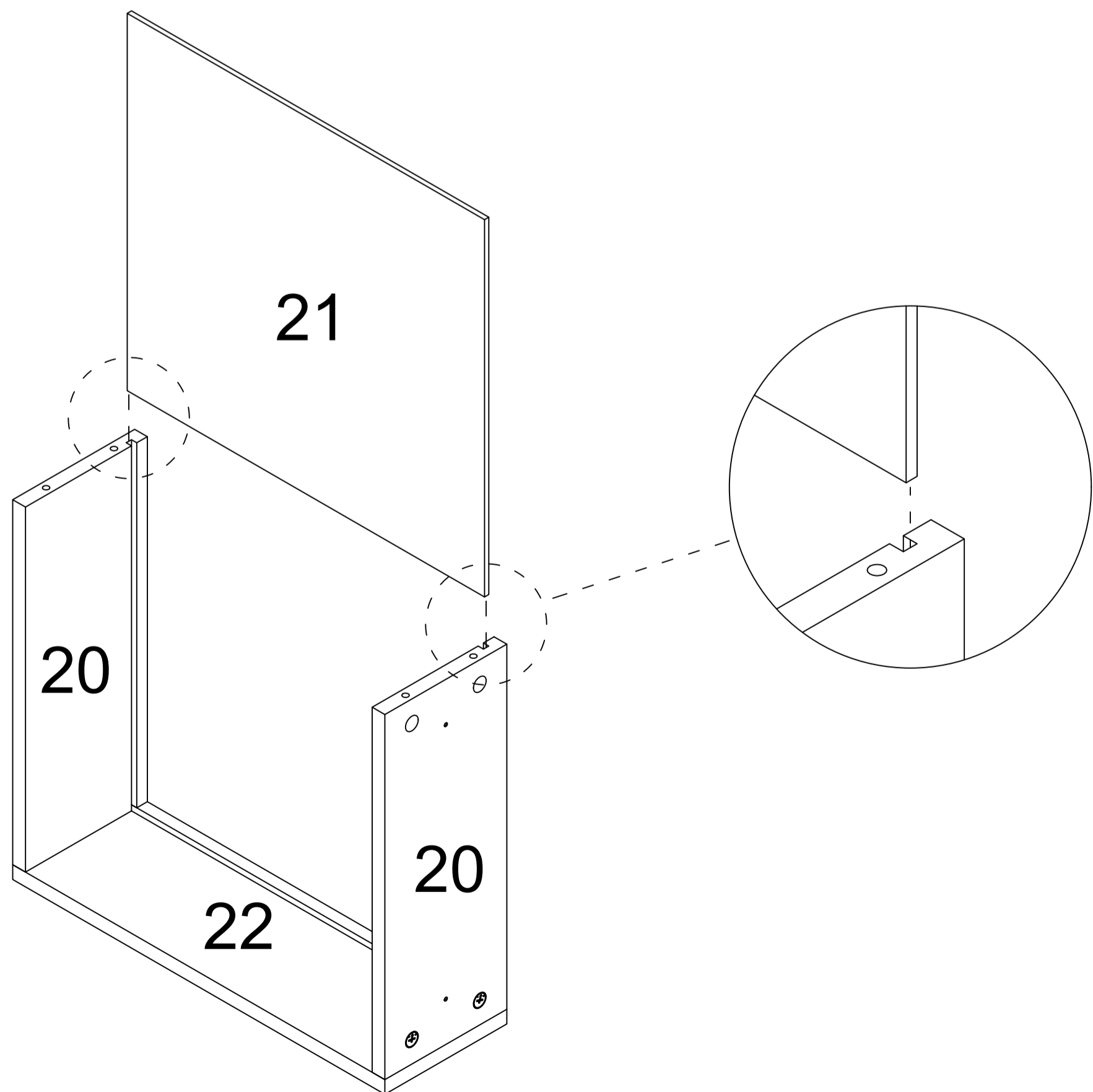
B



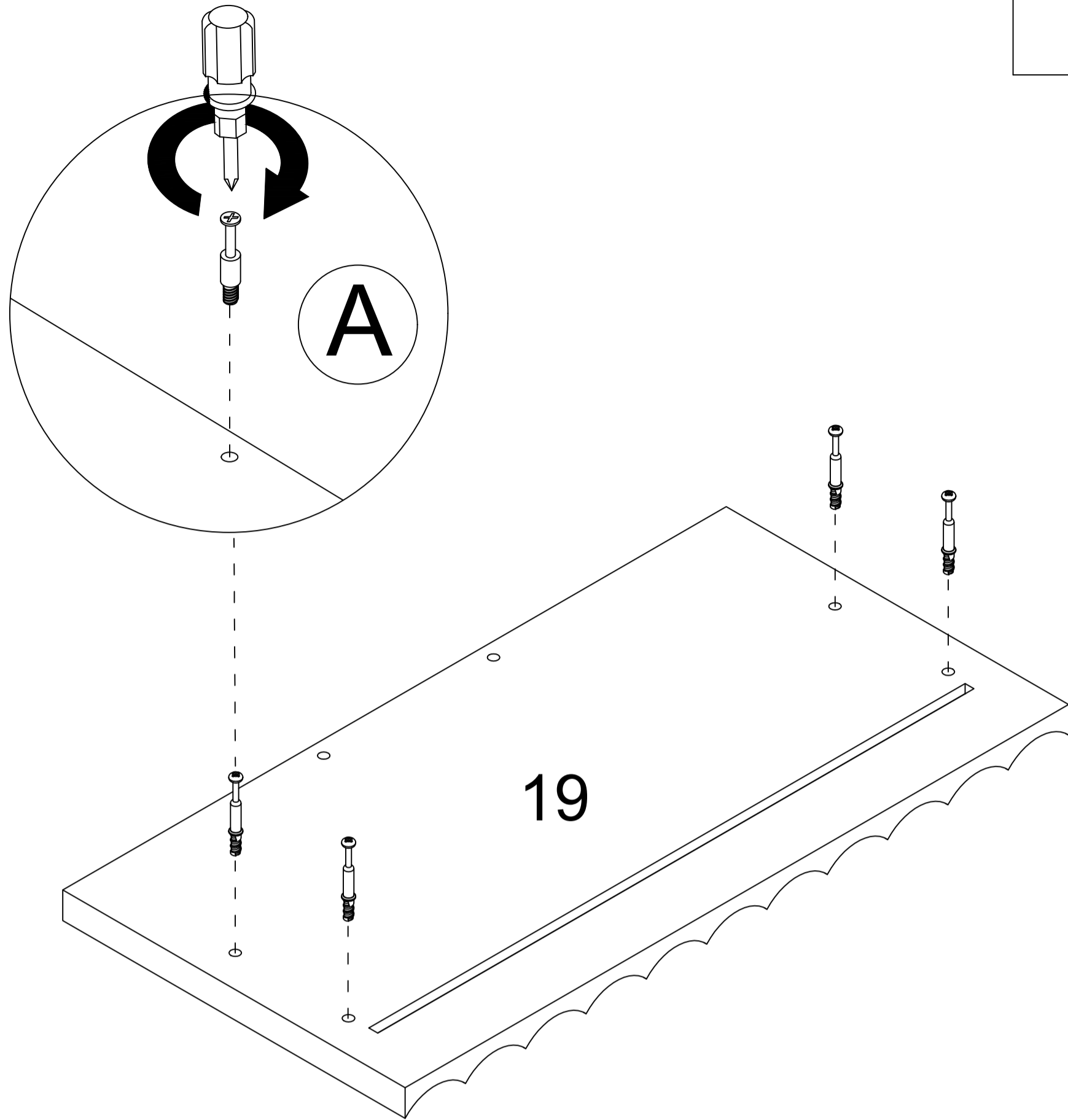
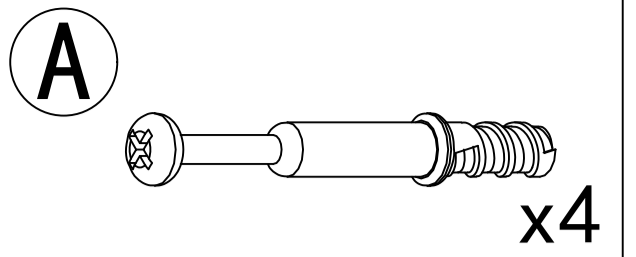
x4



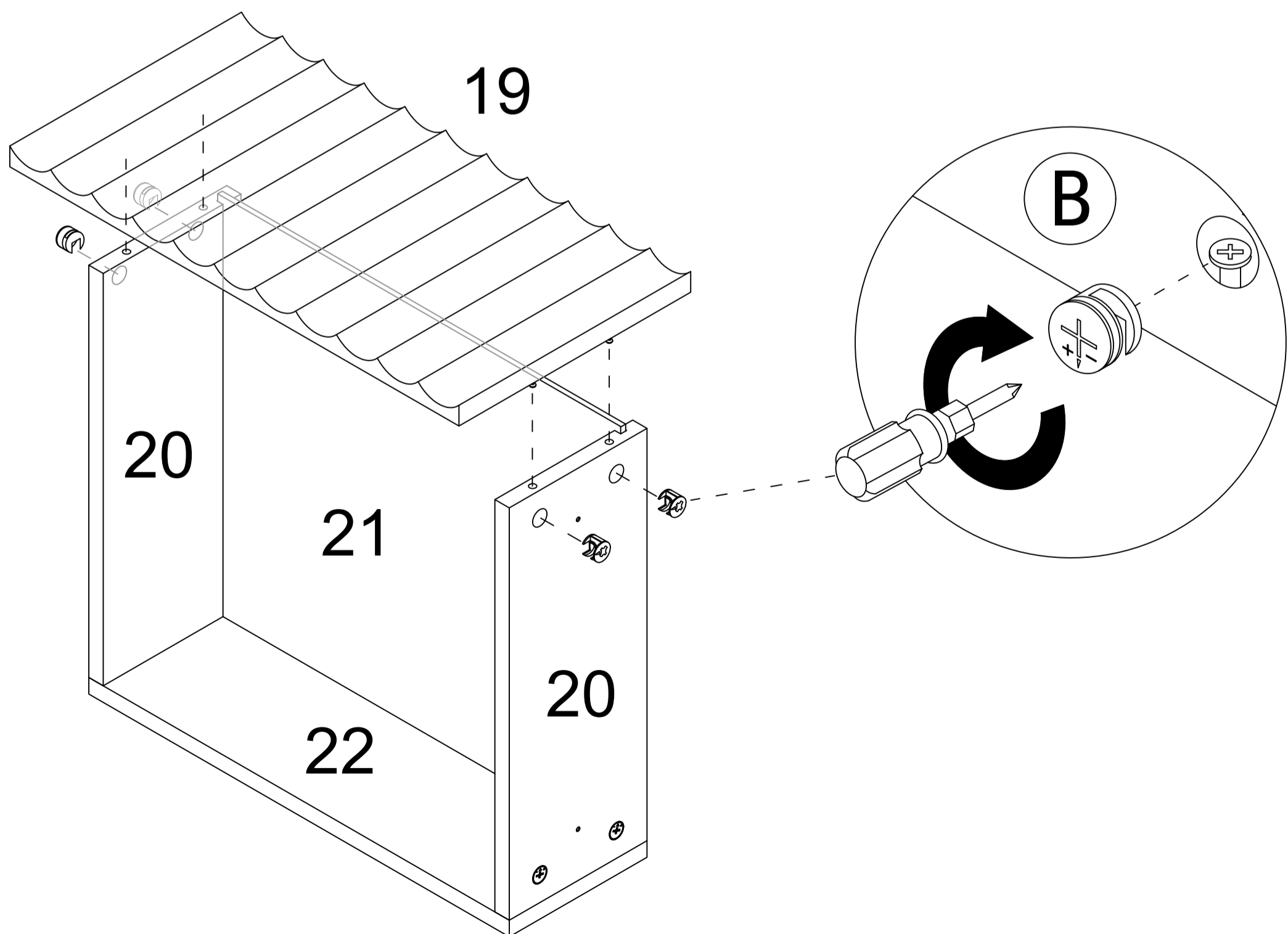
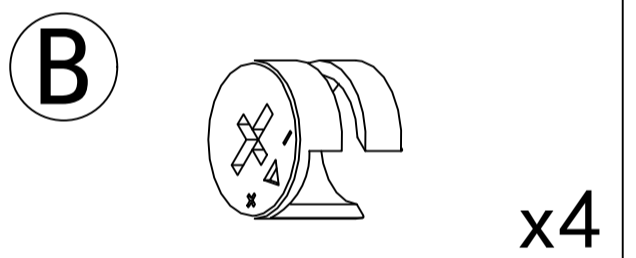
Step 3



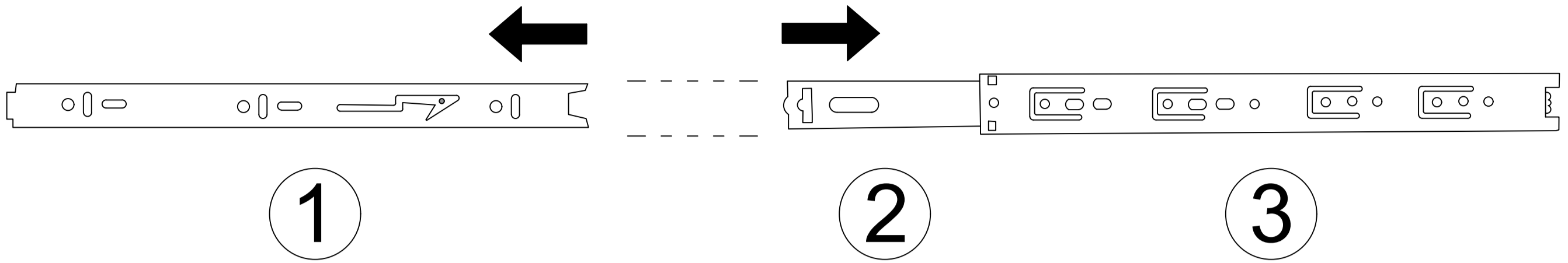
Step 4



Step 5

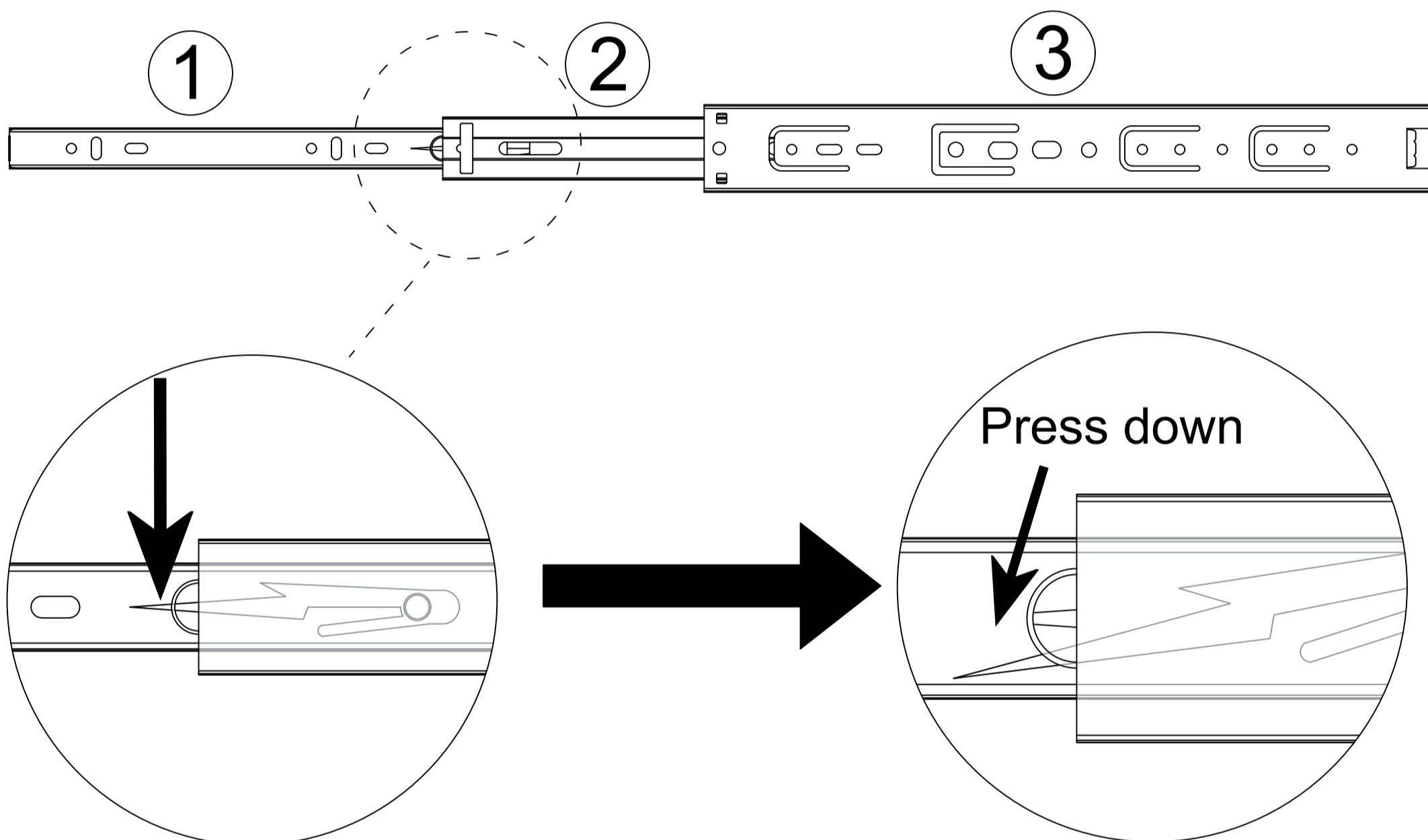


Drawer rail breakdown diagram



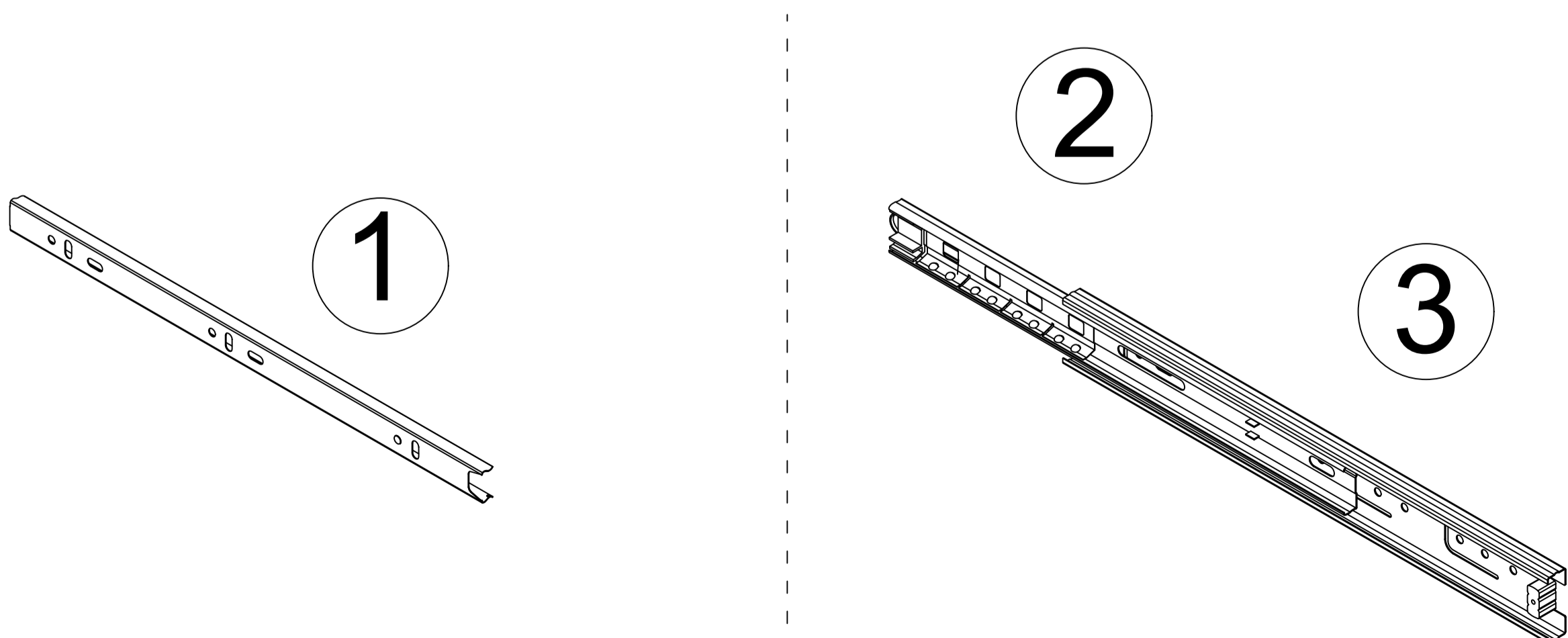
① Dismantle the schematic diagram

Step 1 : Pull the rails apart

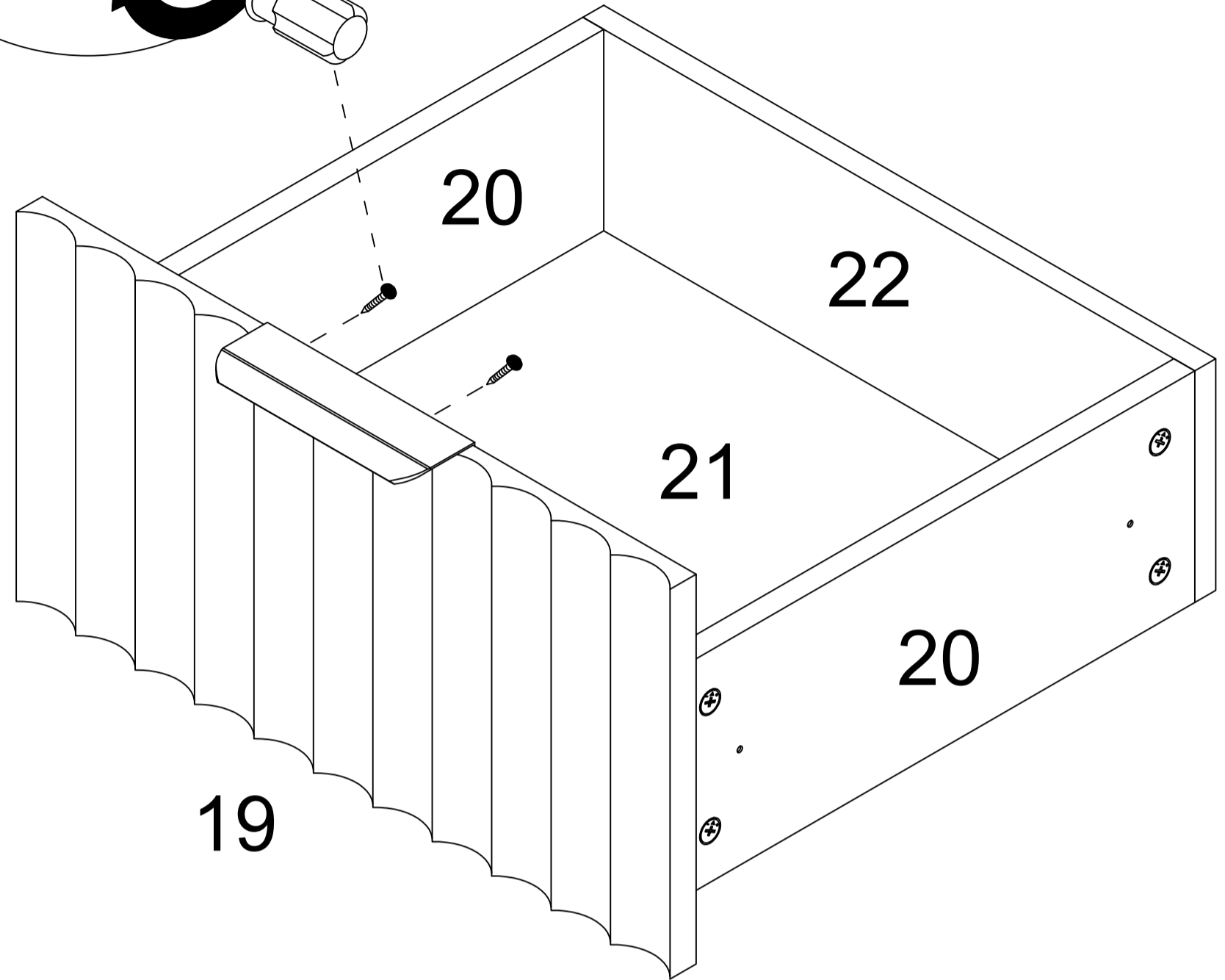
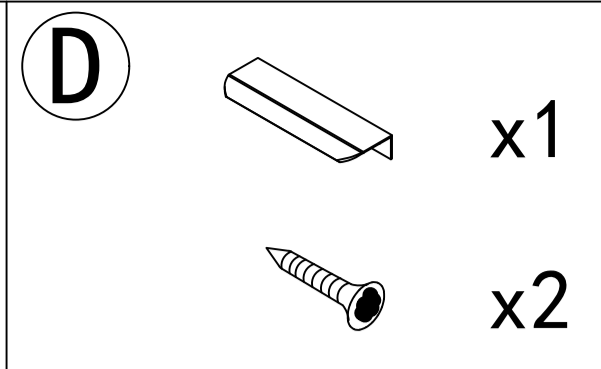
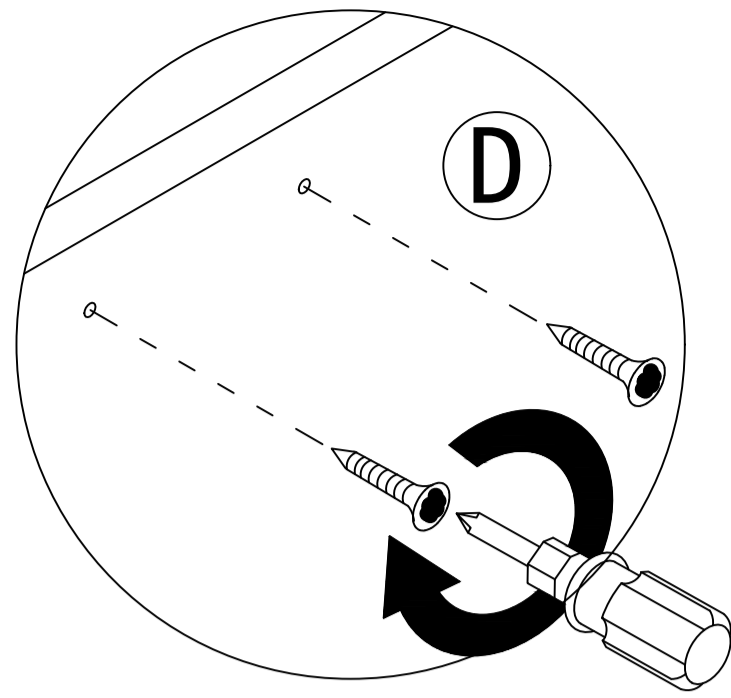


Step 2 : Press the nylon button and pull out ①.

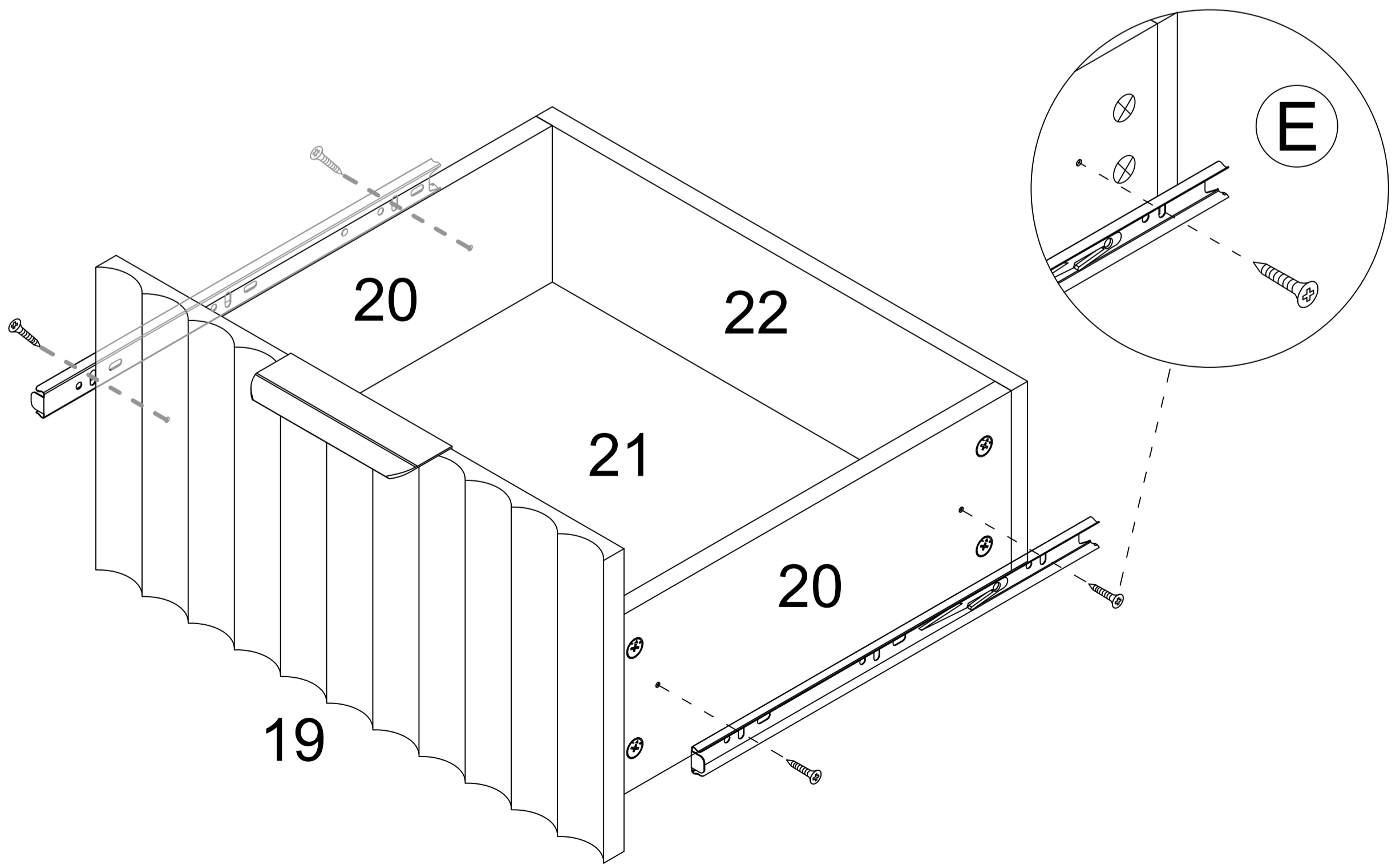
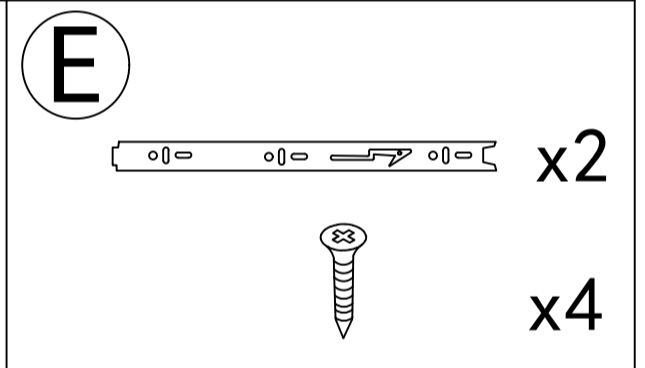
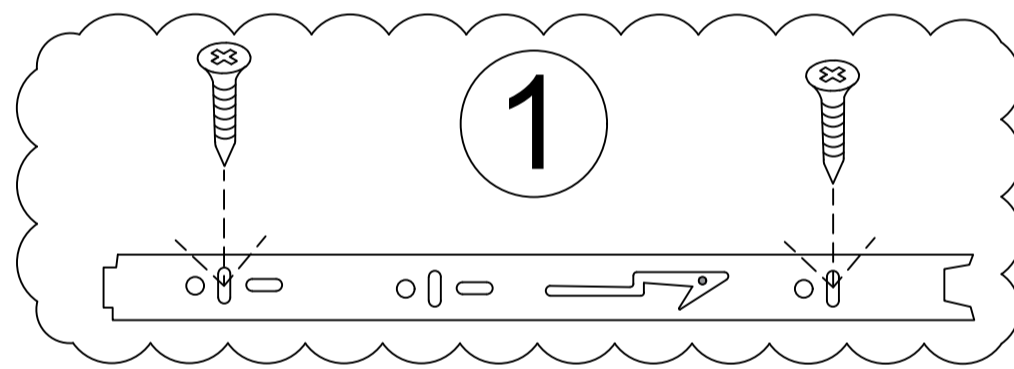
Drawer rail decomposition completed schematic diagram



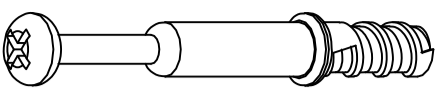

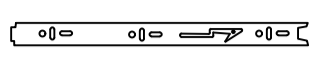

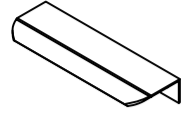

Step 6

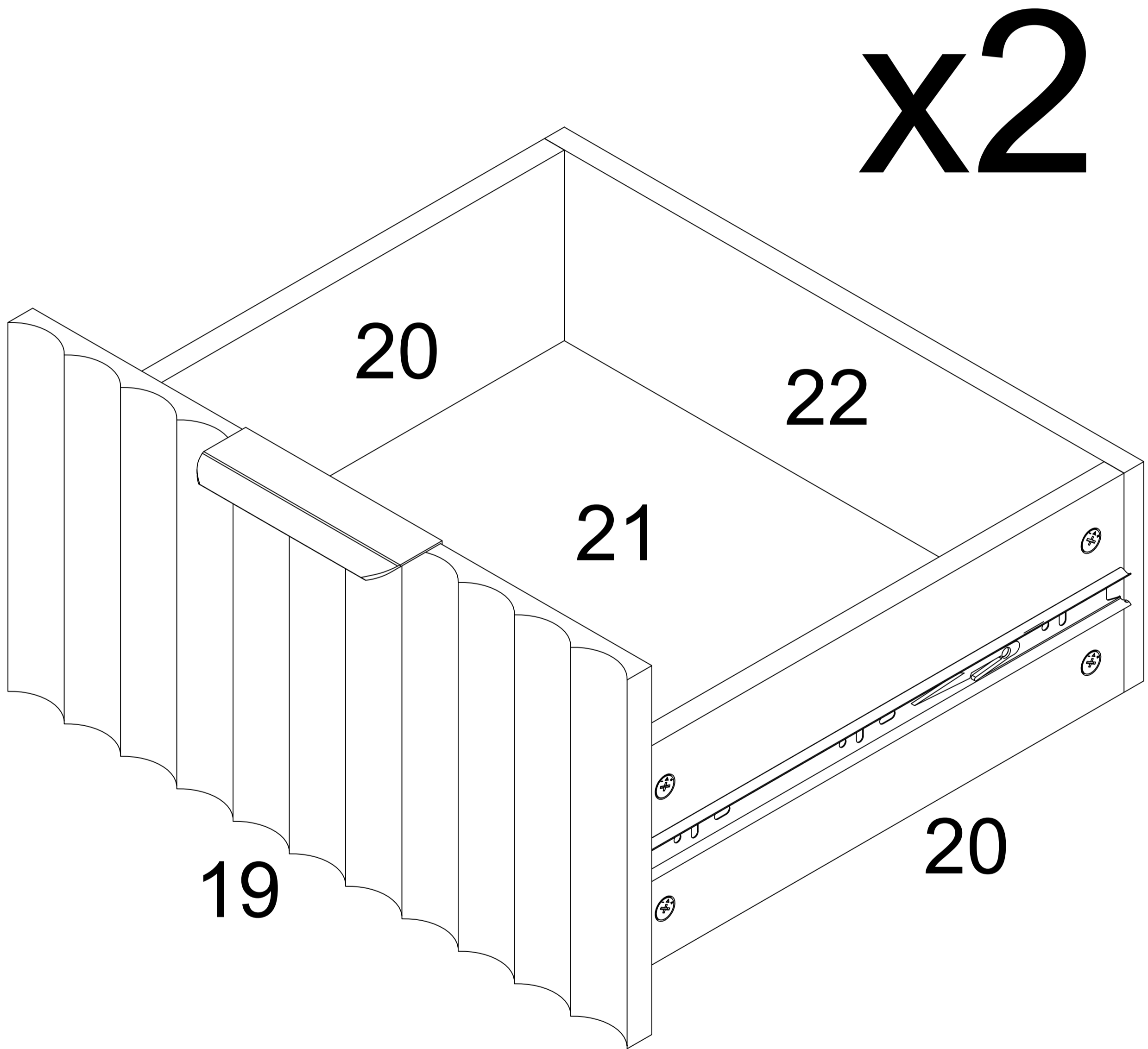


Step 7



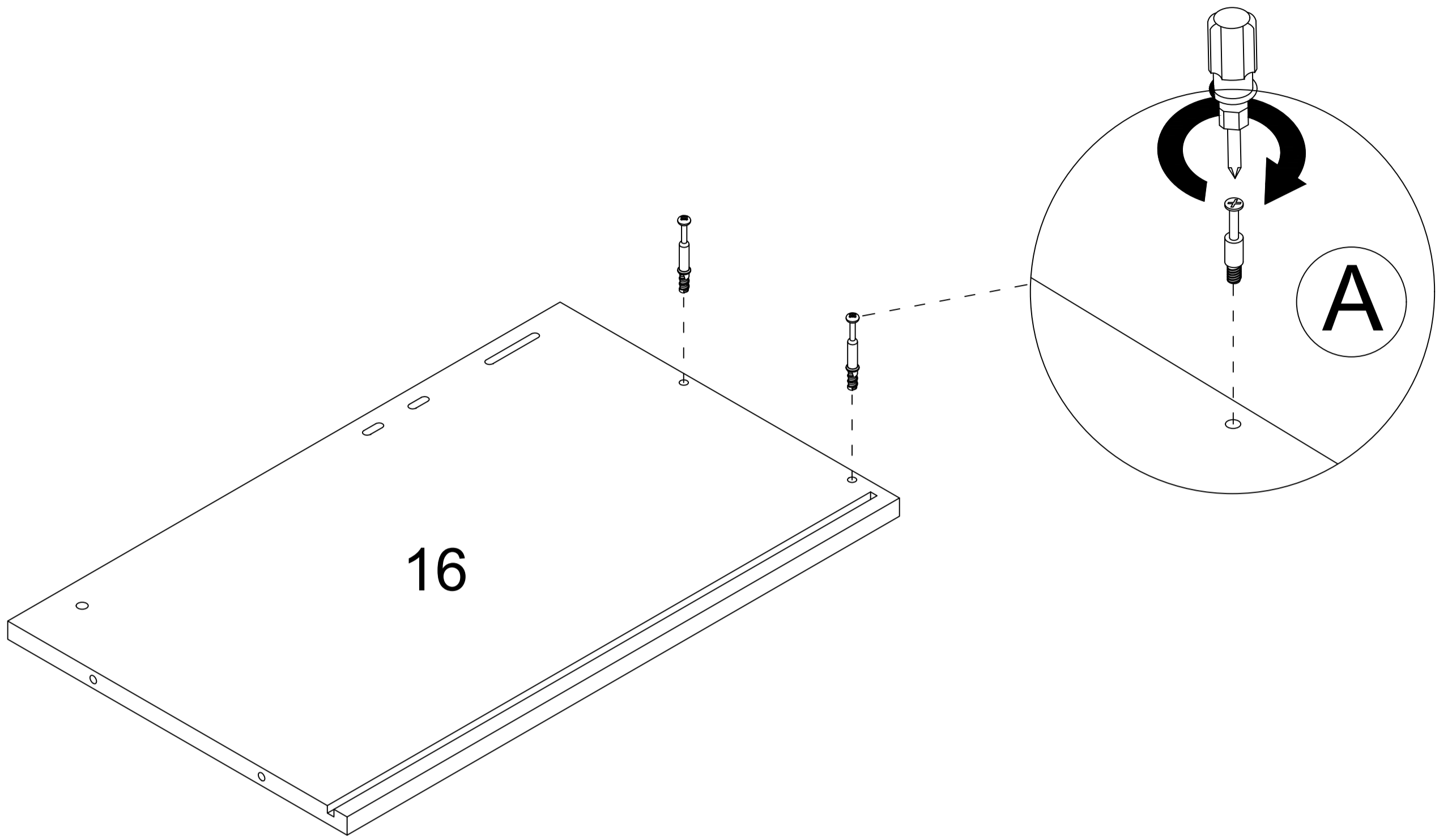
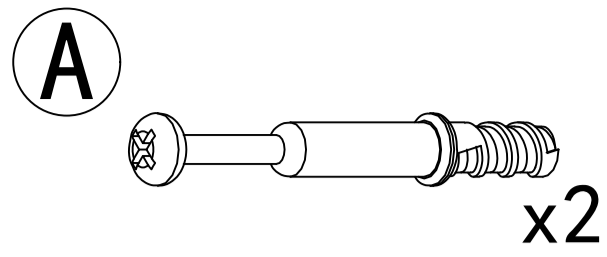
Step 8

A  x4	B  x4
E  x4  x8	D  x2  x4

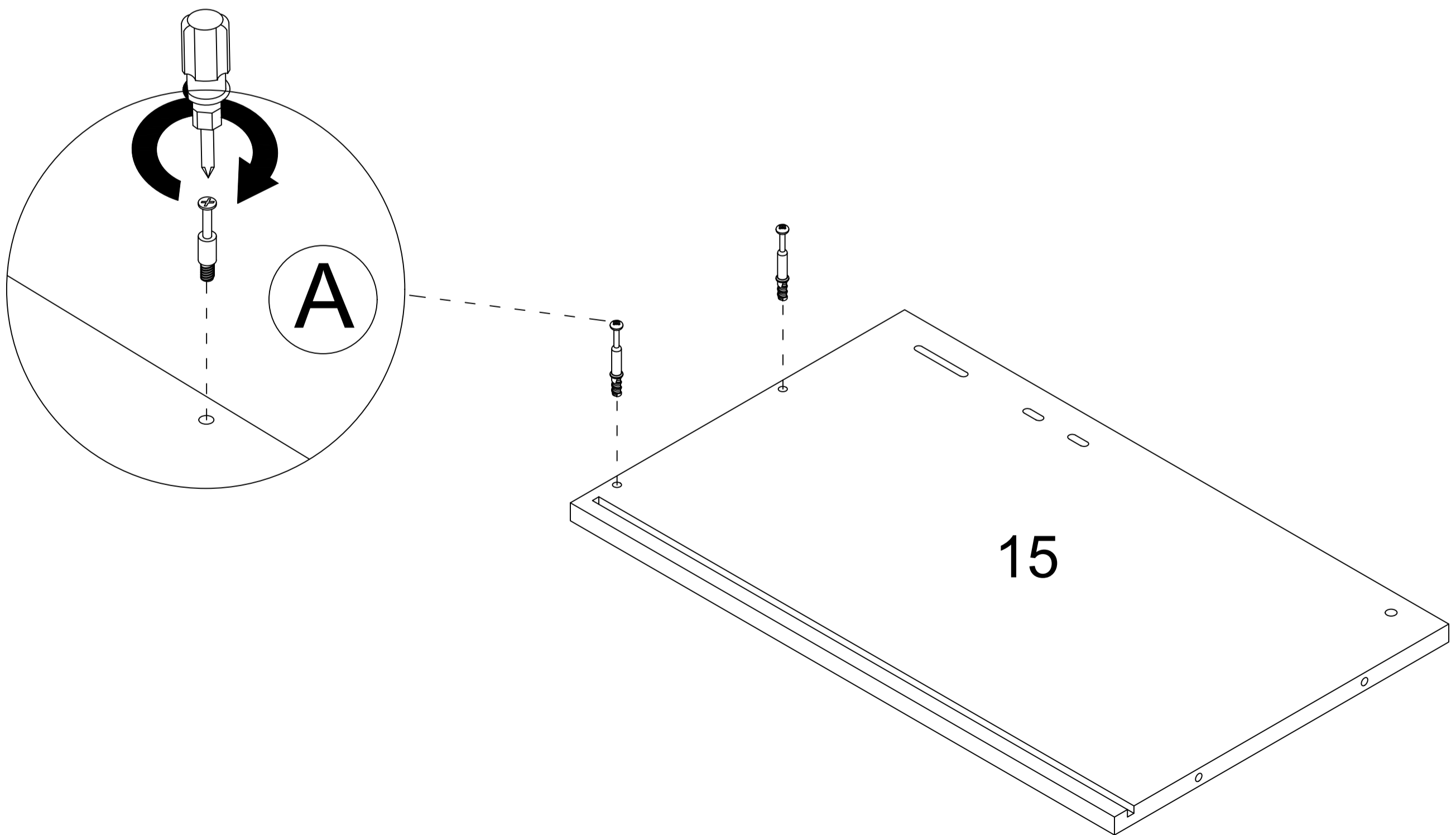
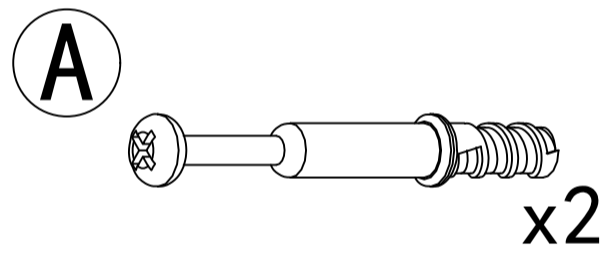


Repeat the drawer installation steps

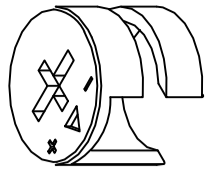
Step 9

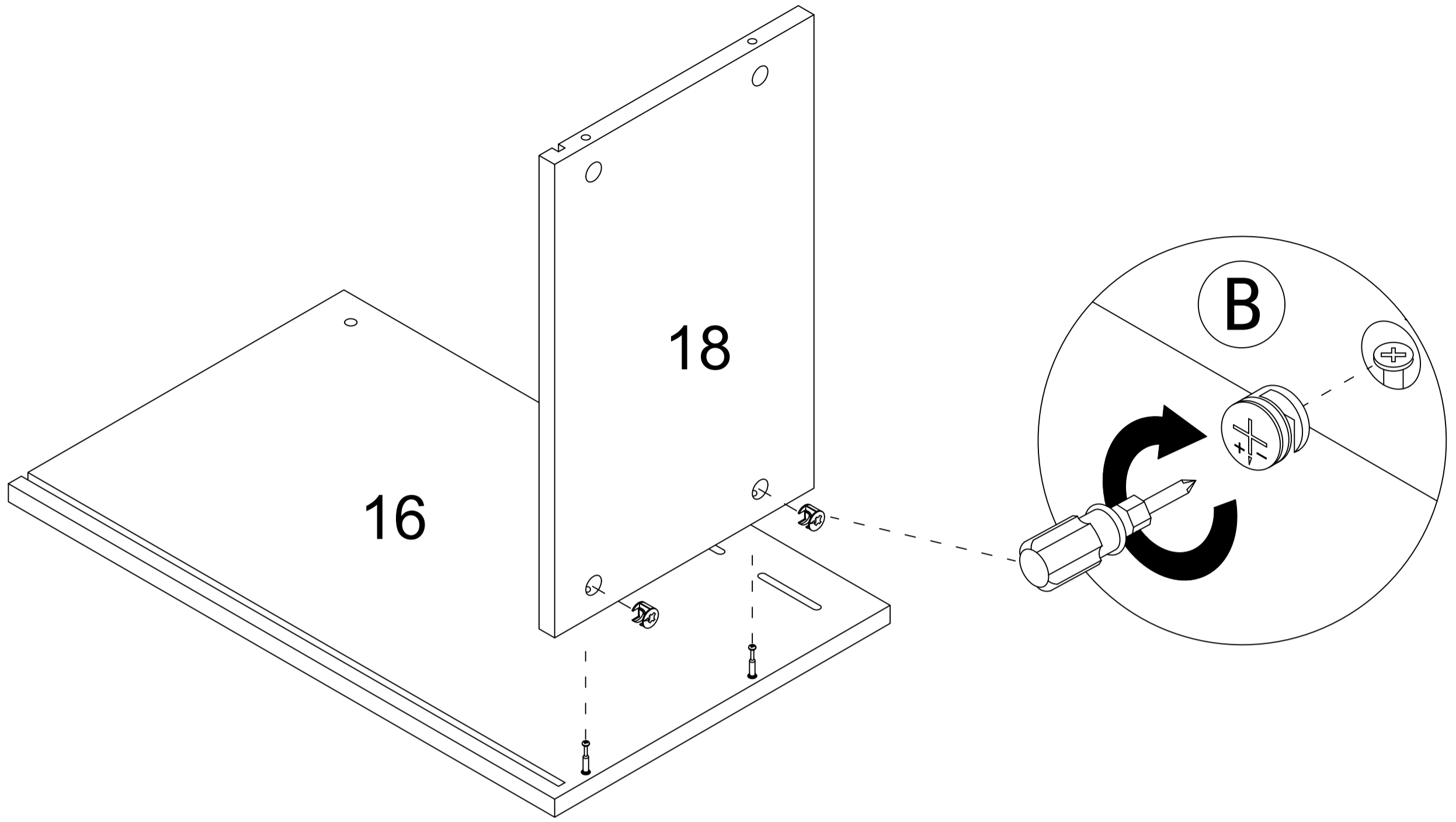


Step 10



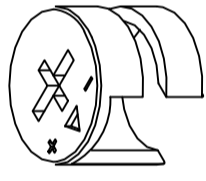
Step 11

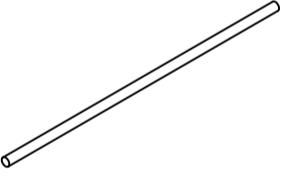
B  x2

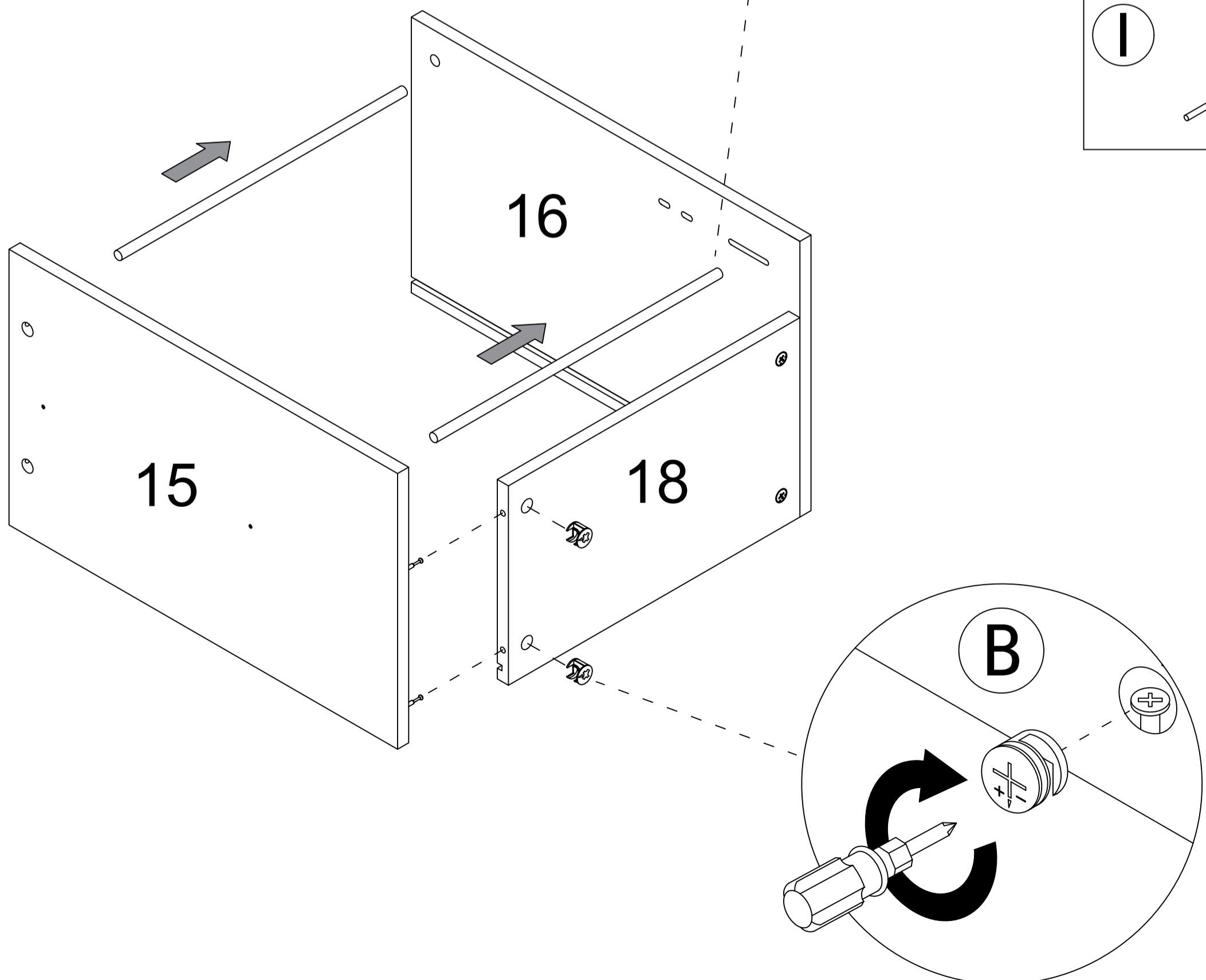


Step 12

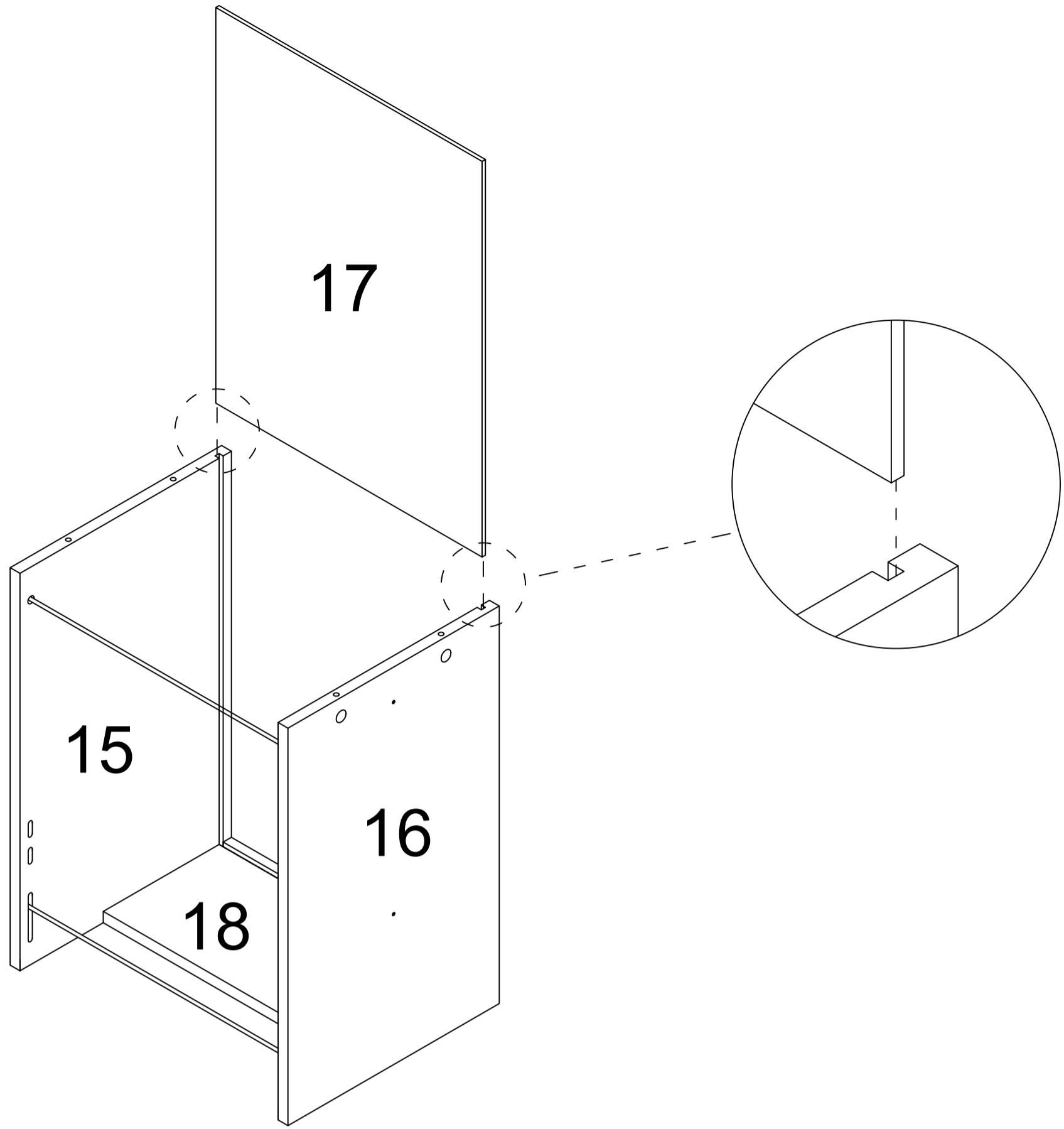
Select the hole position to install the I accessories according to your needs

B  x2

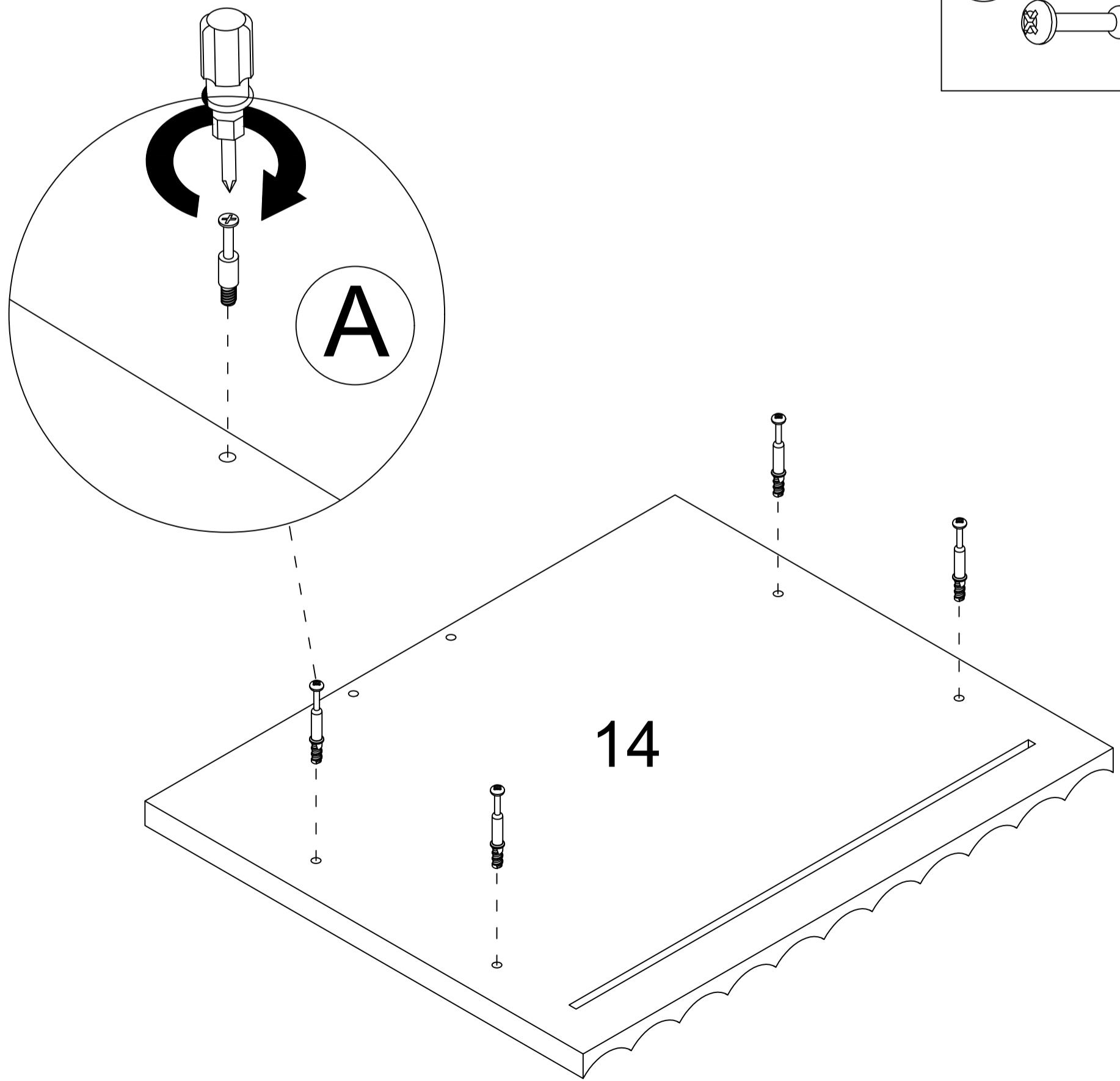
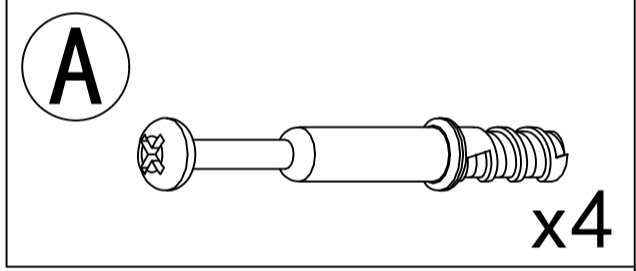
I  x2



Step 13

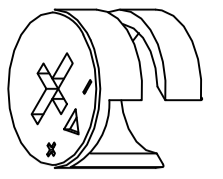


Step 14

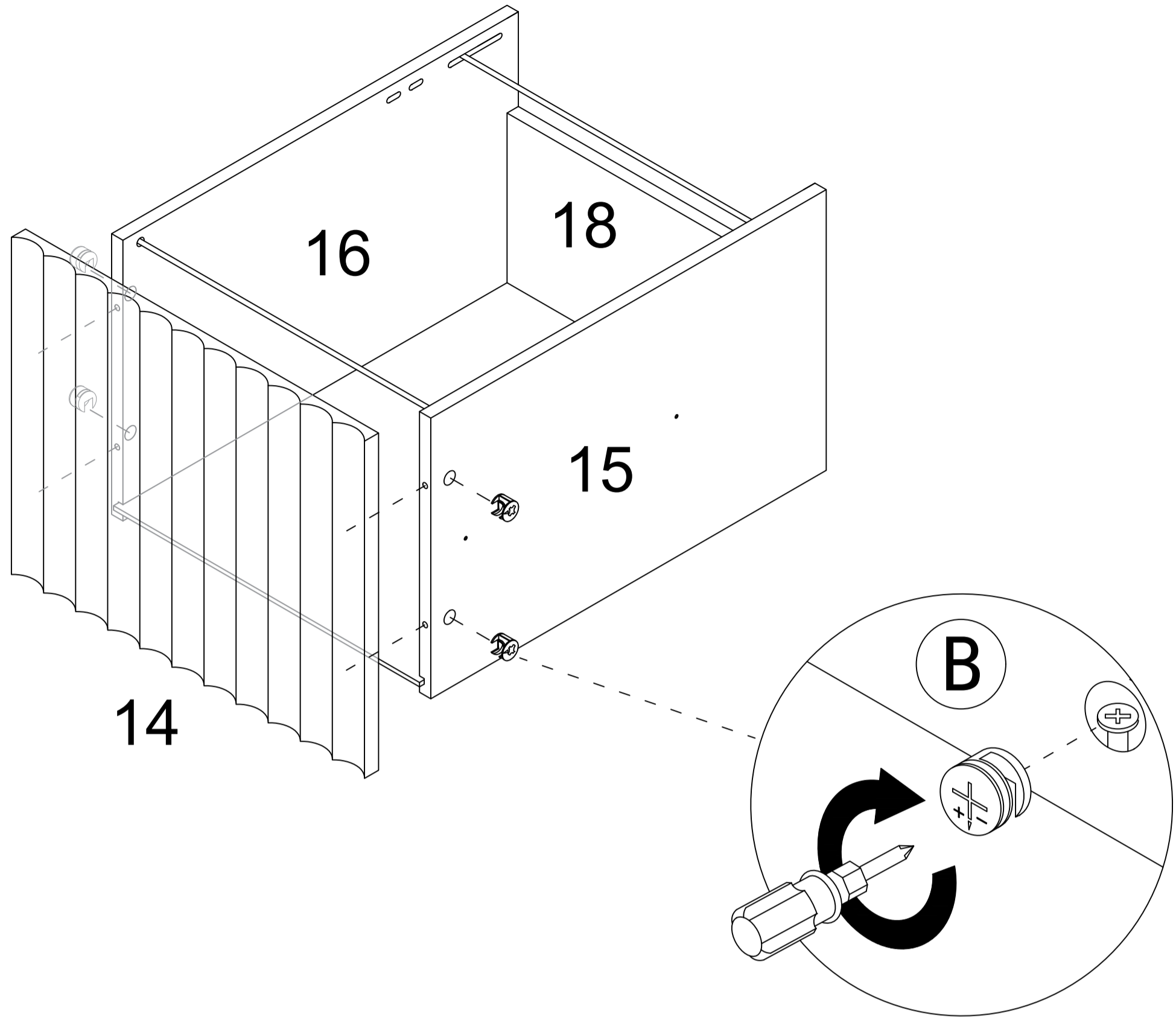


Step 15

B

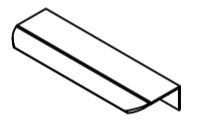


x4



Step 16

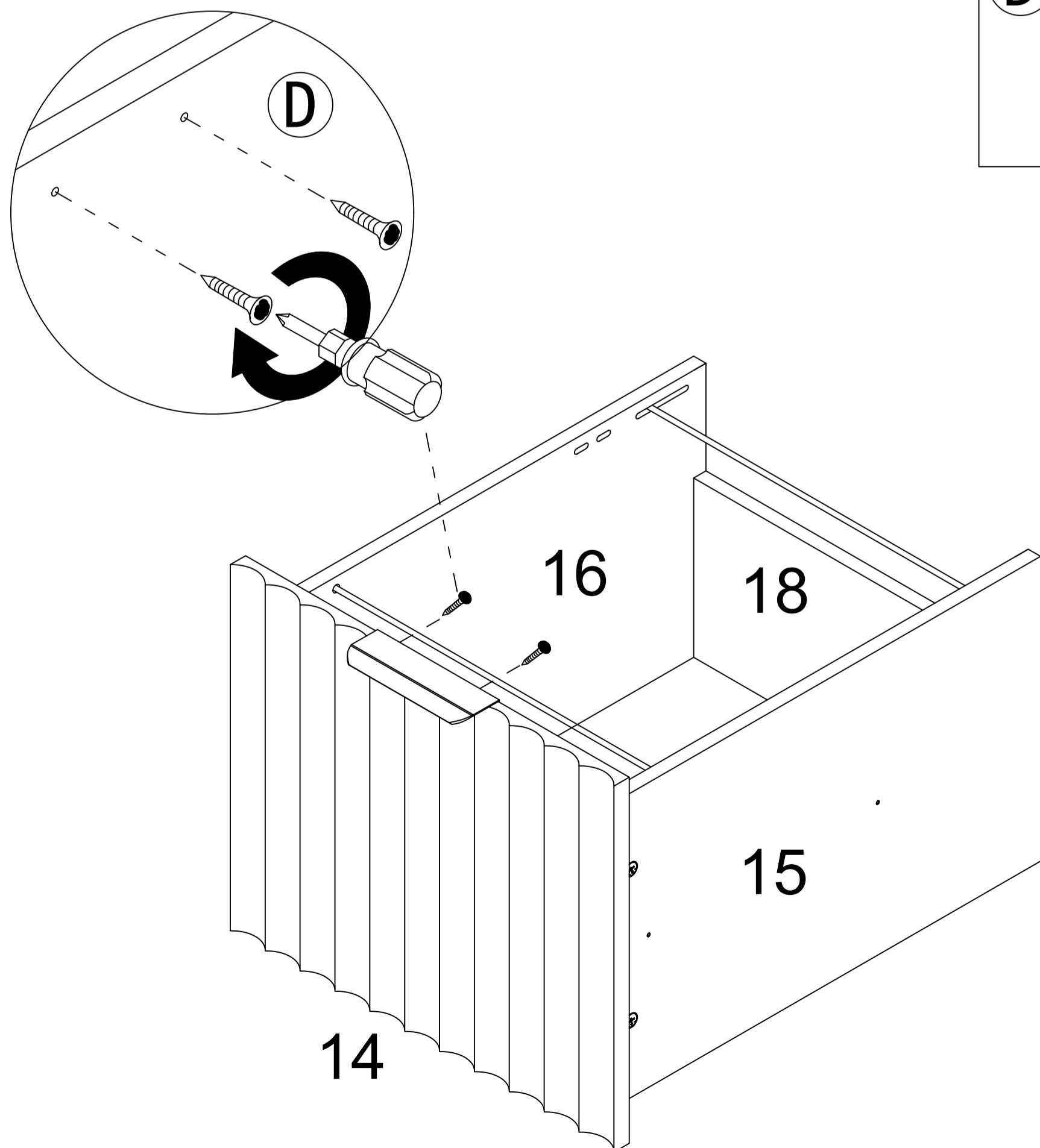
D



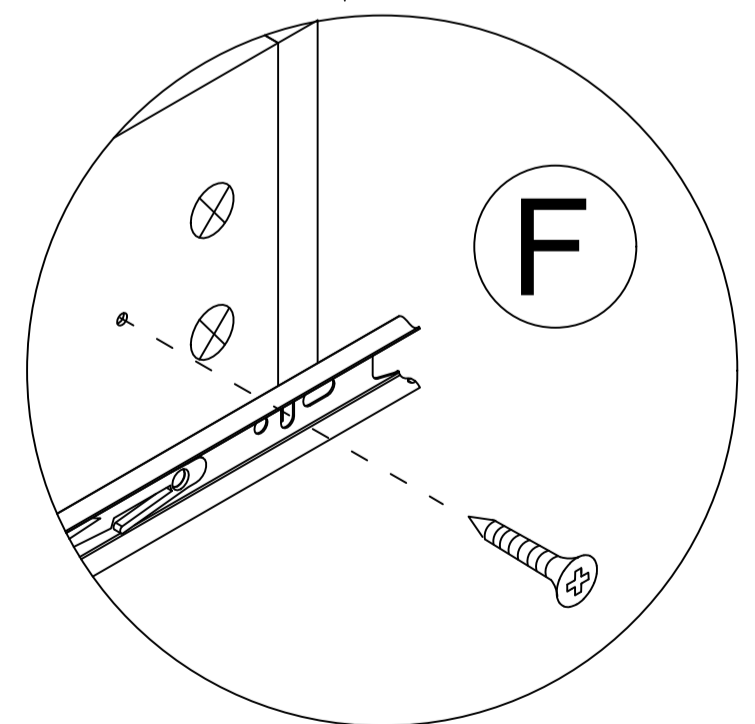
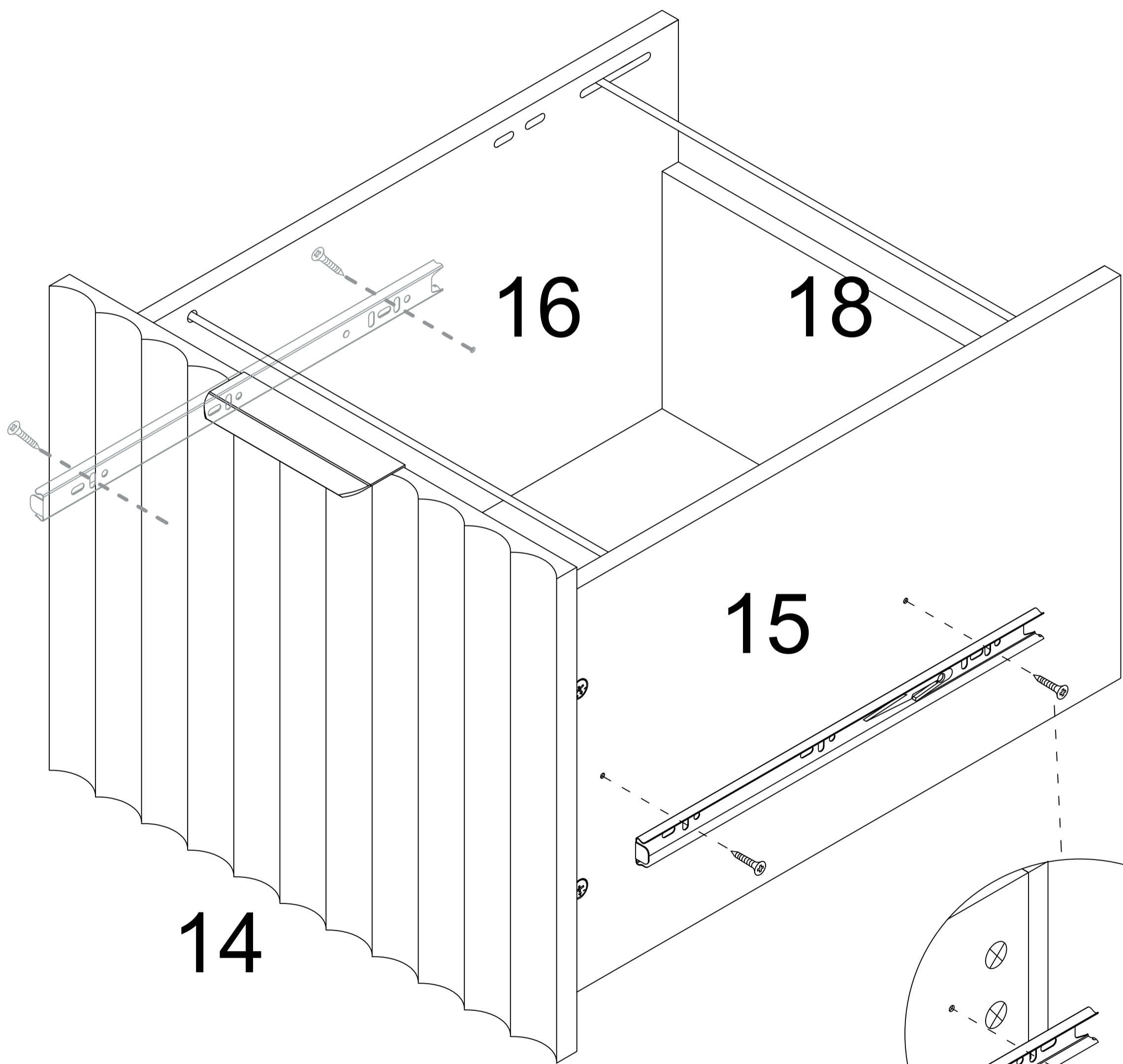
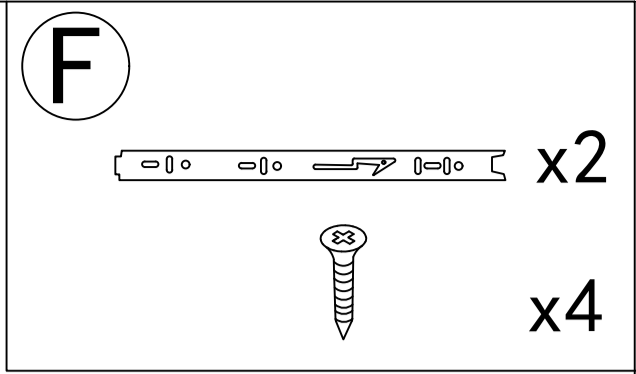
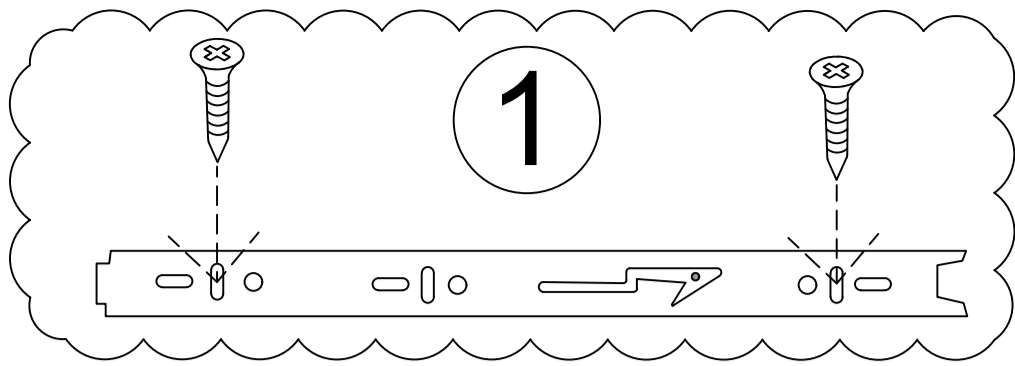
x1



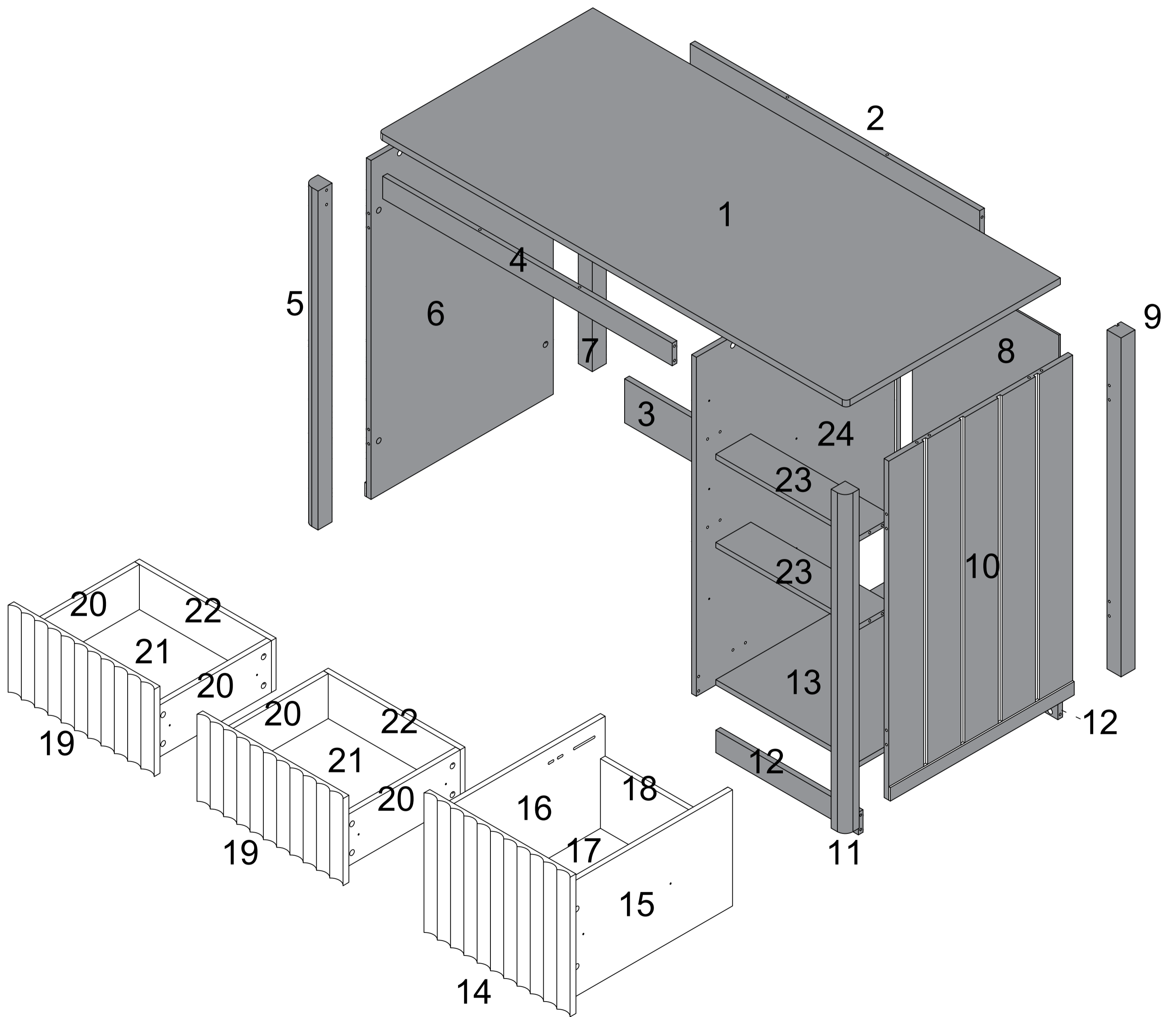
x2



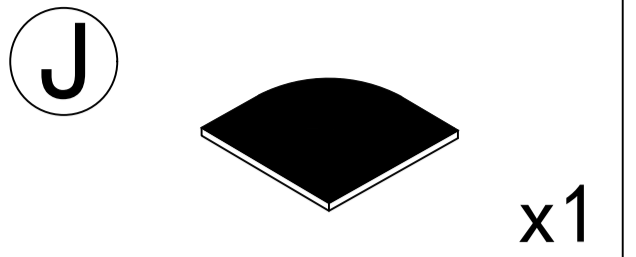
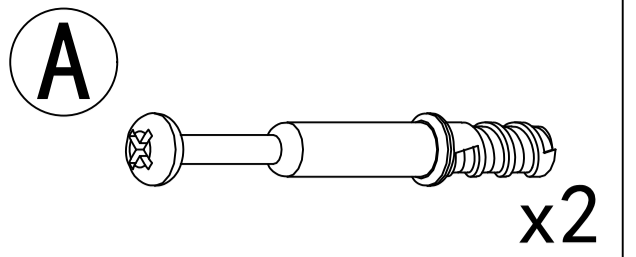
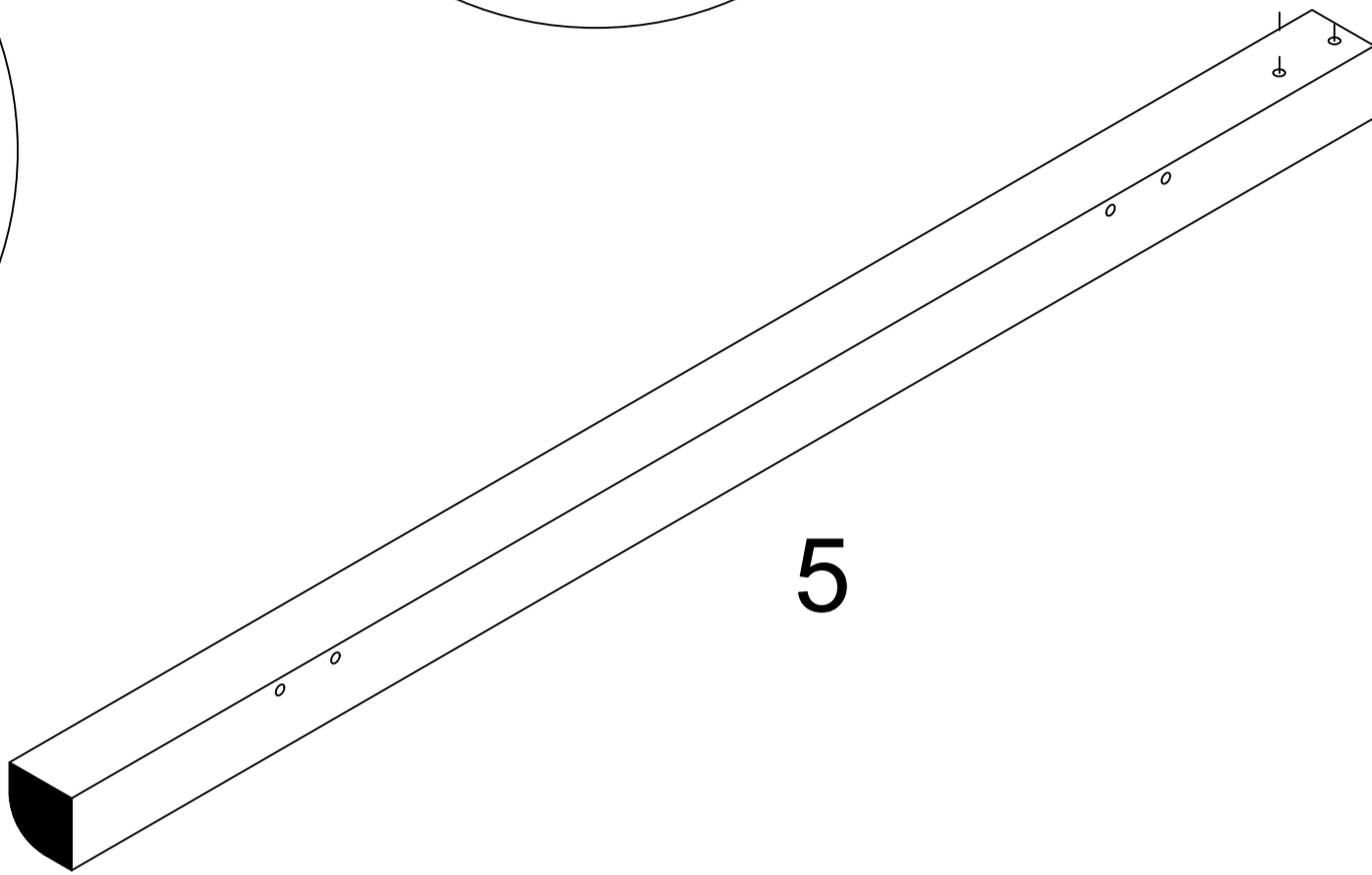
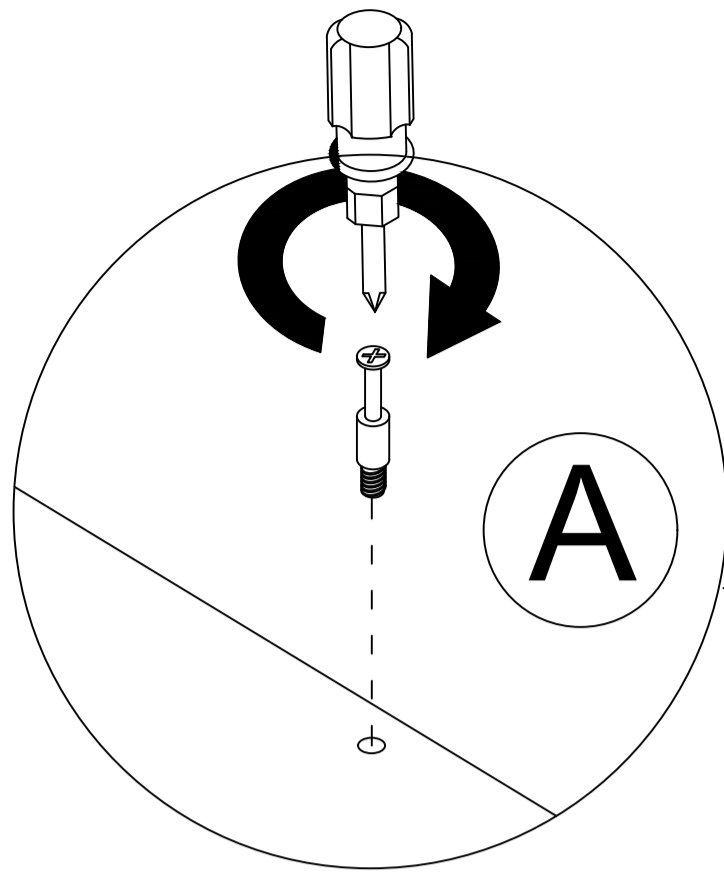
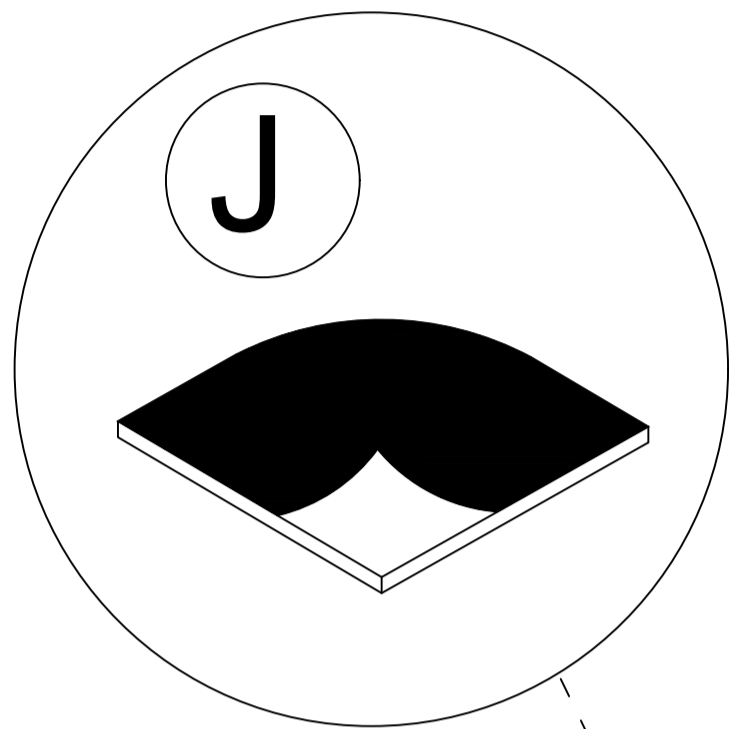
Step 17



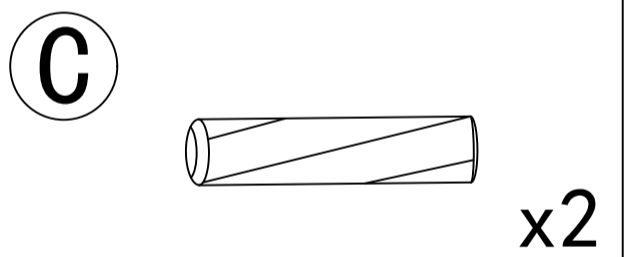
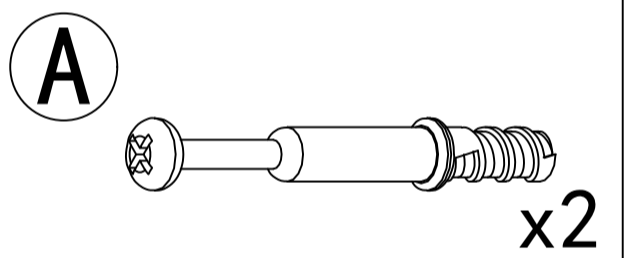
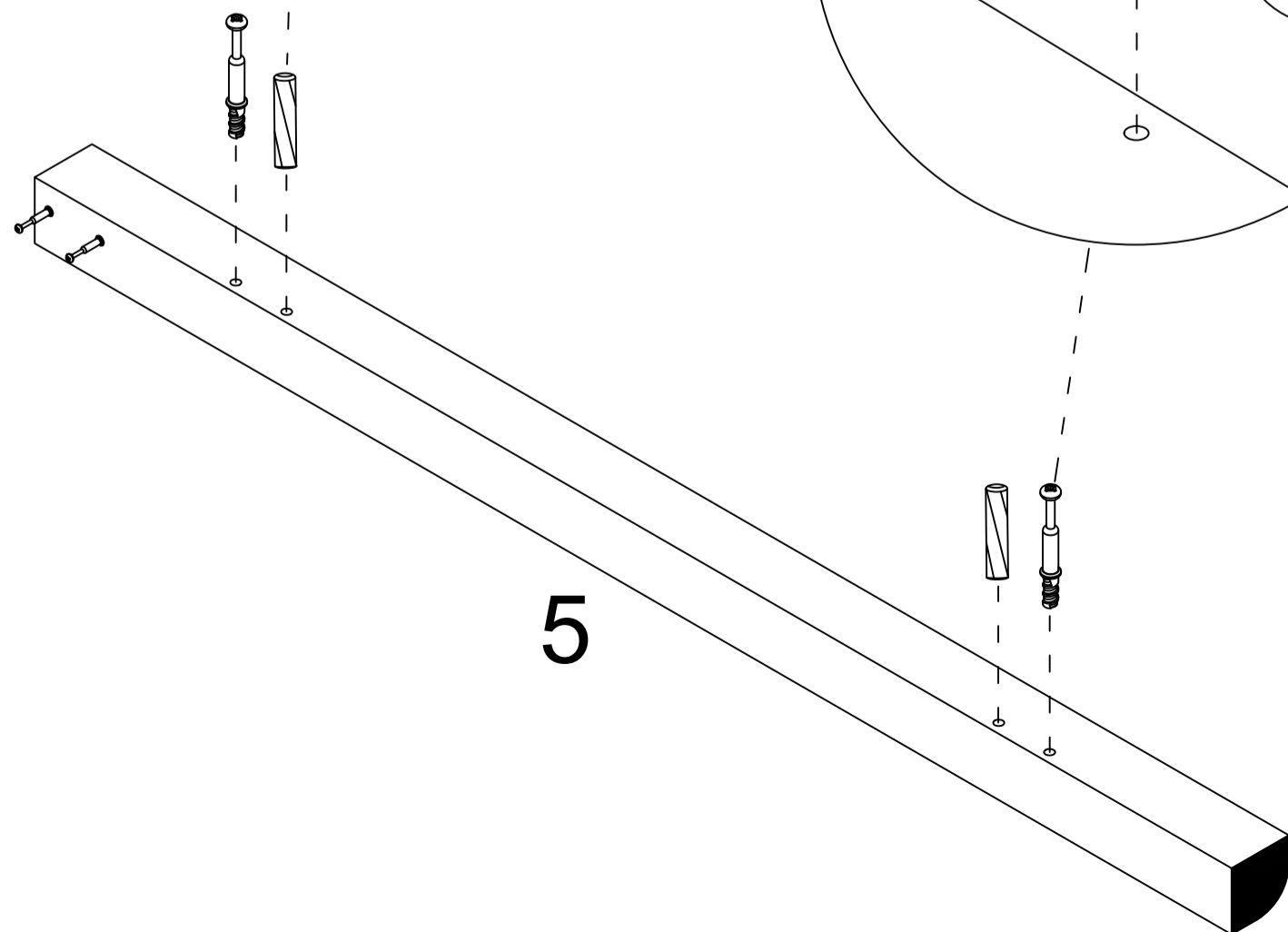
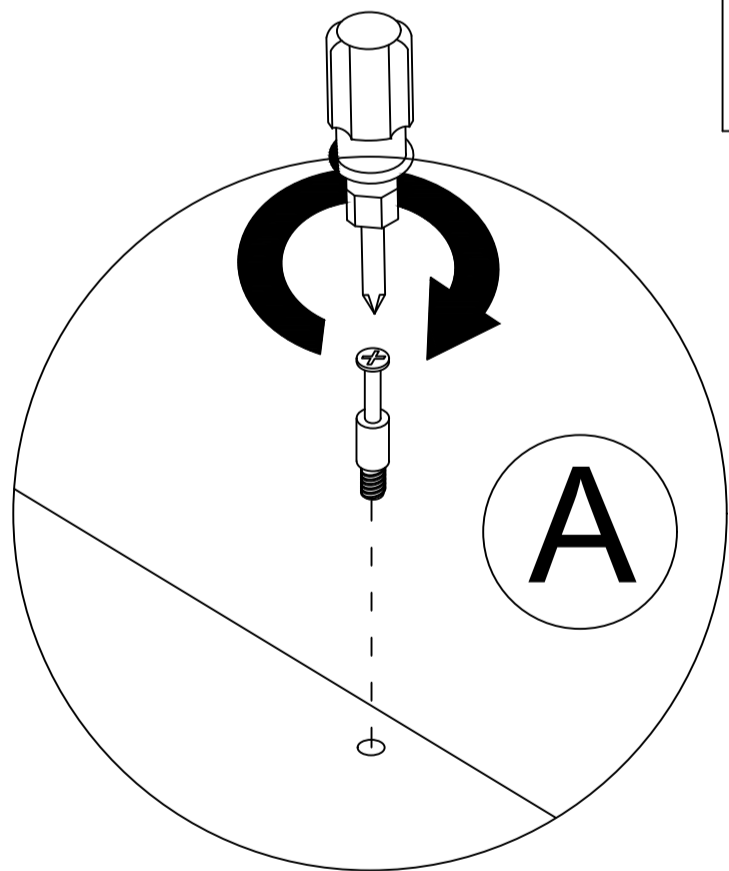
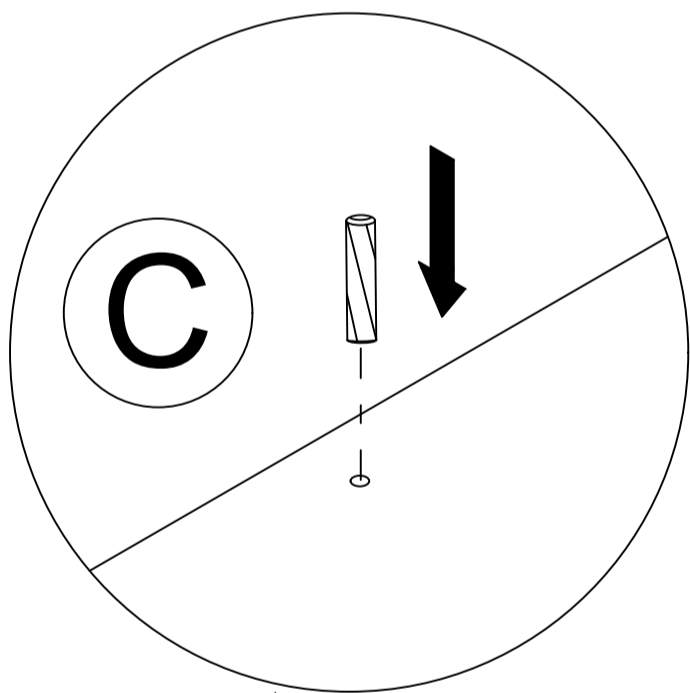
Product Explosion diagram



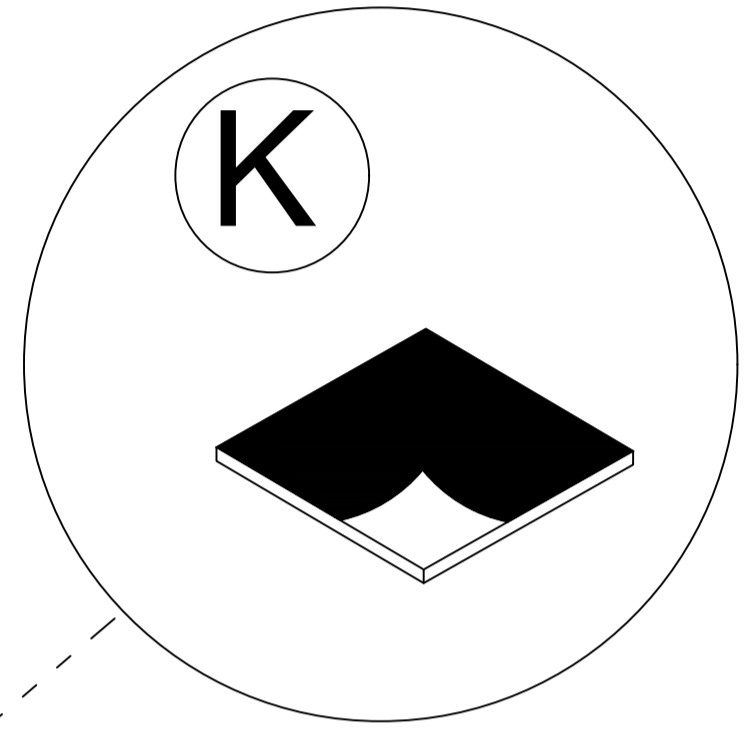
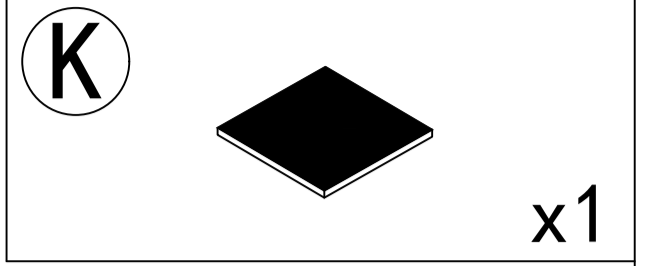
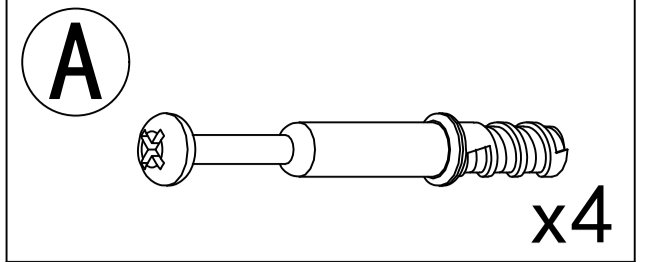
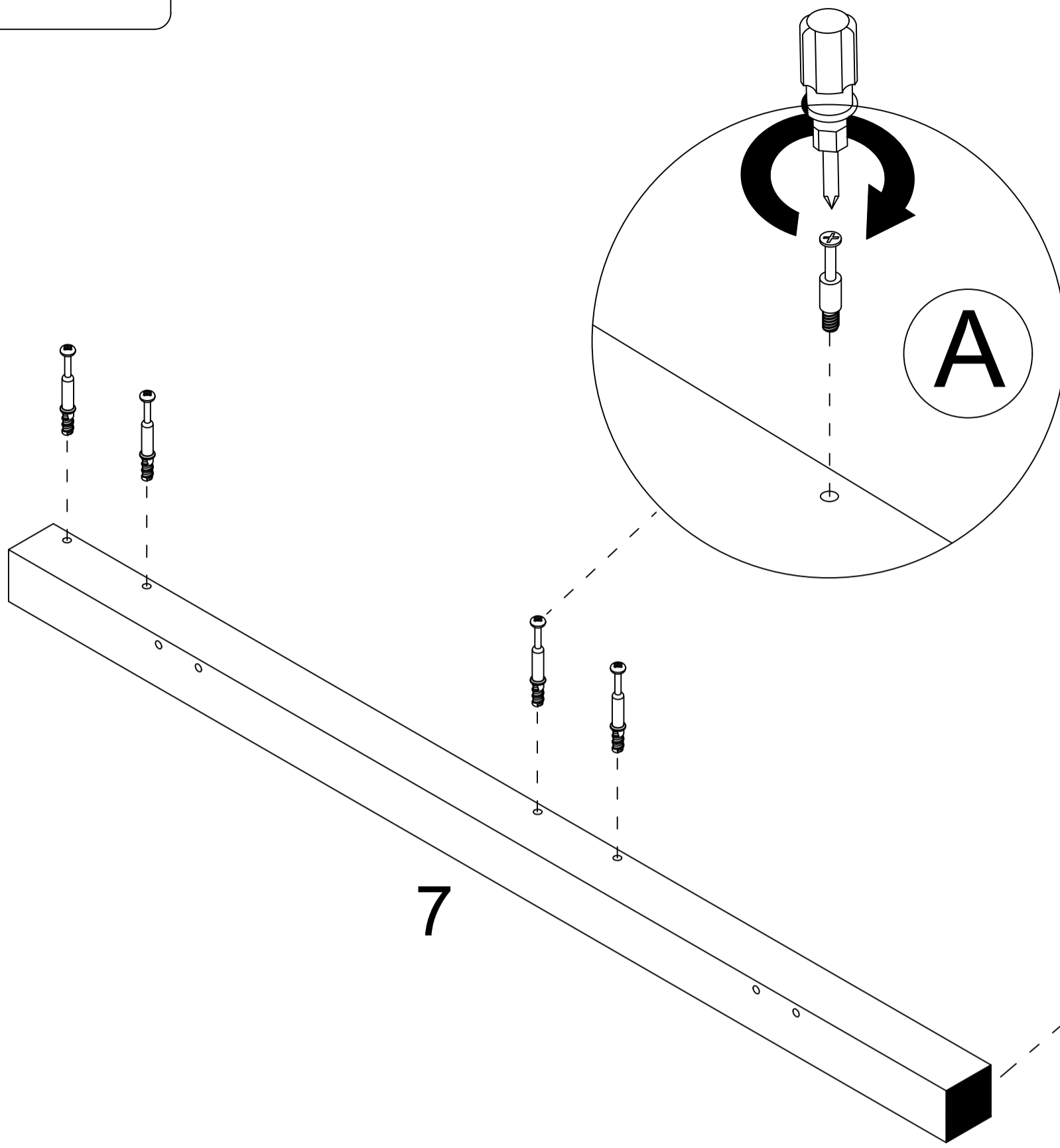
Step 18



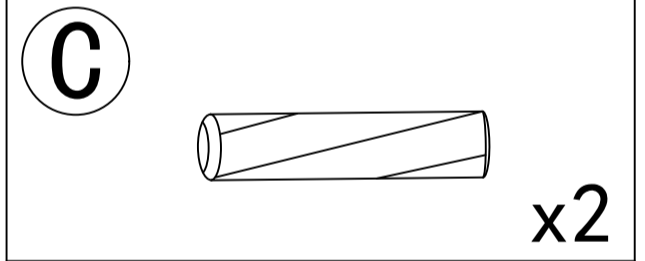
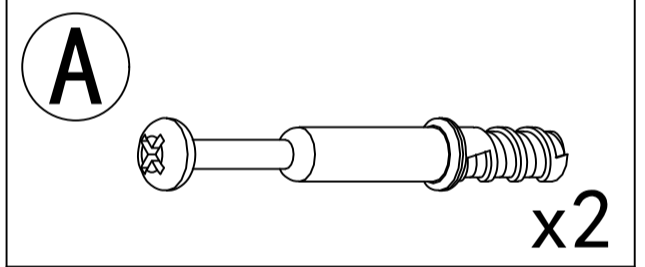
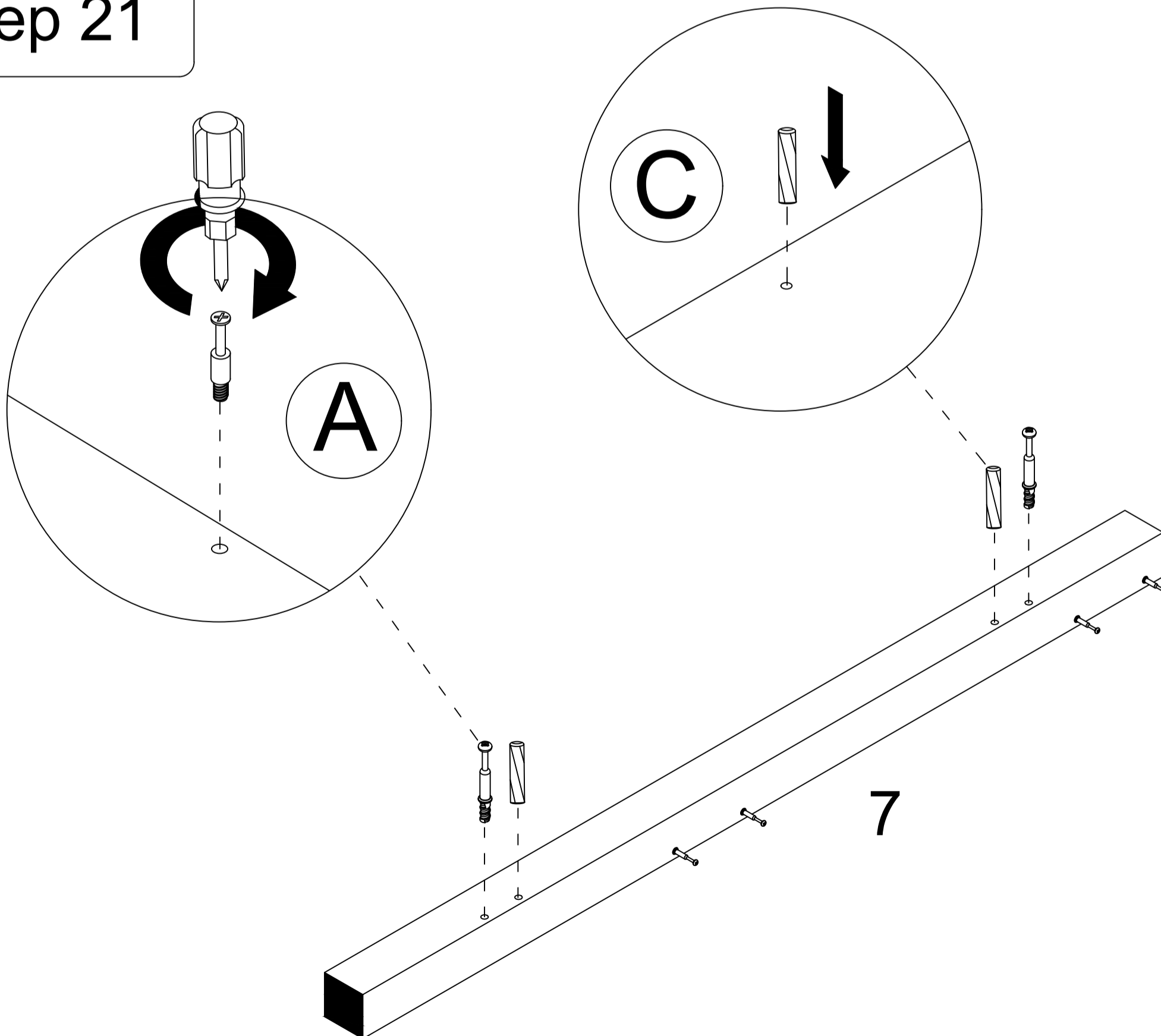
Step 19



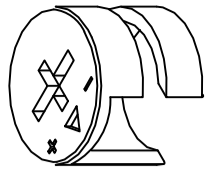
Step 20

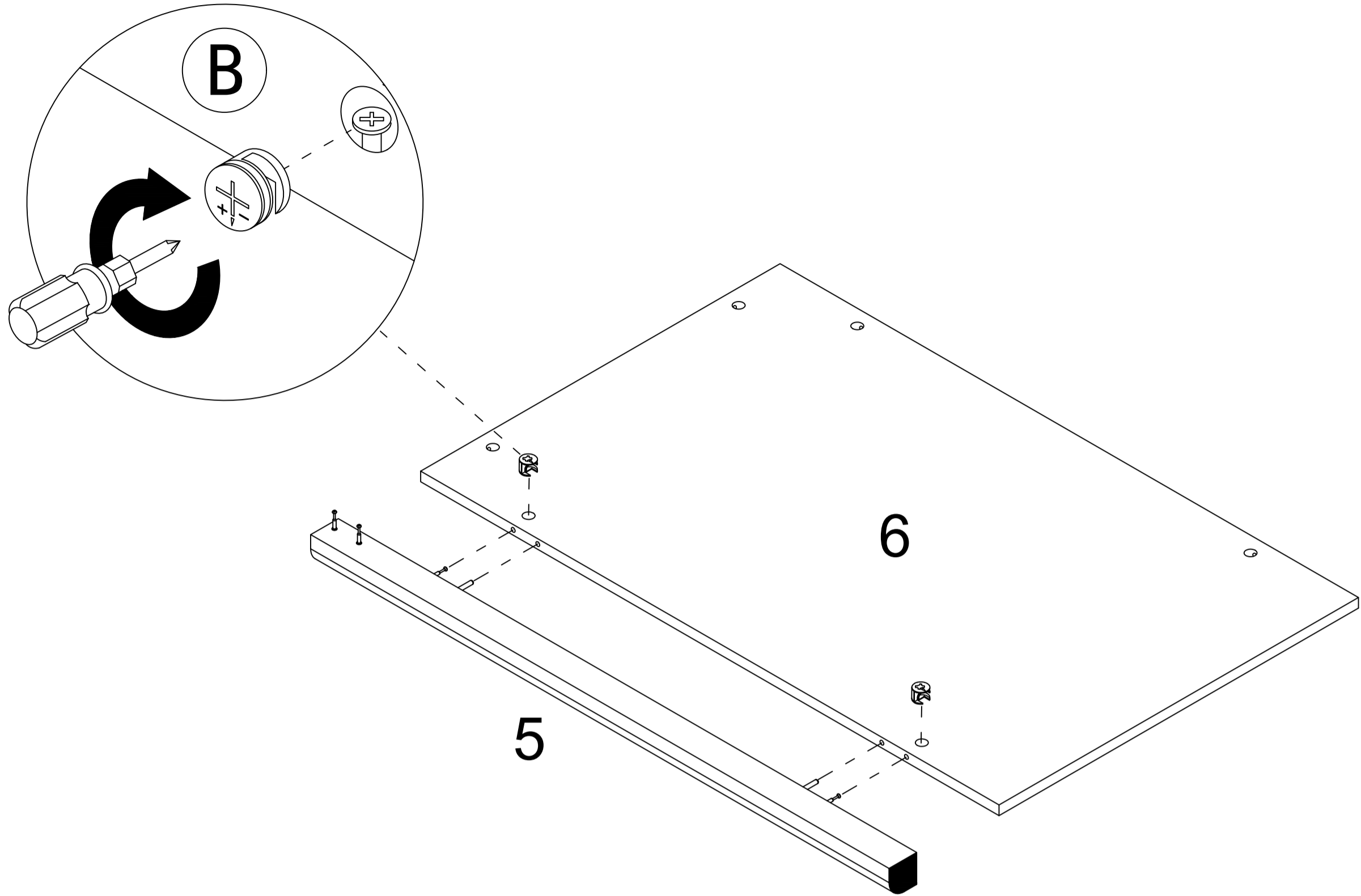


Step 21

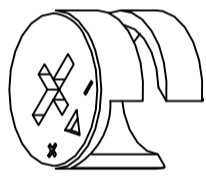


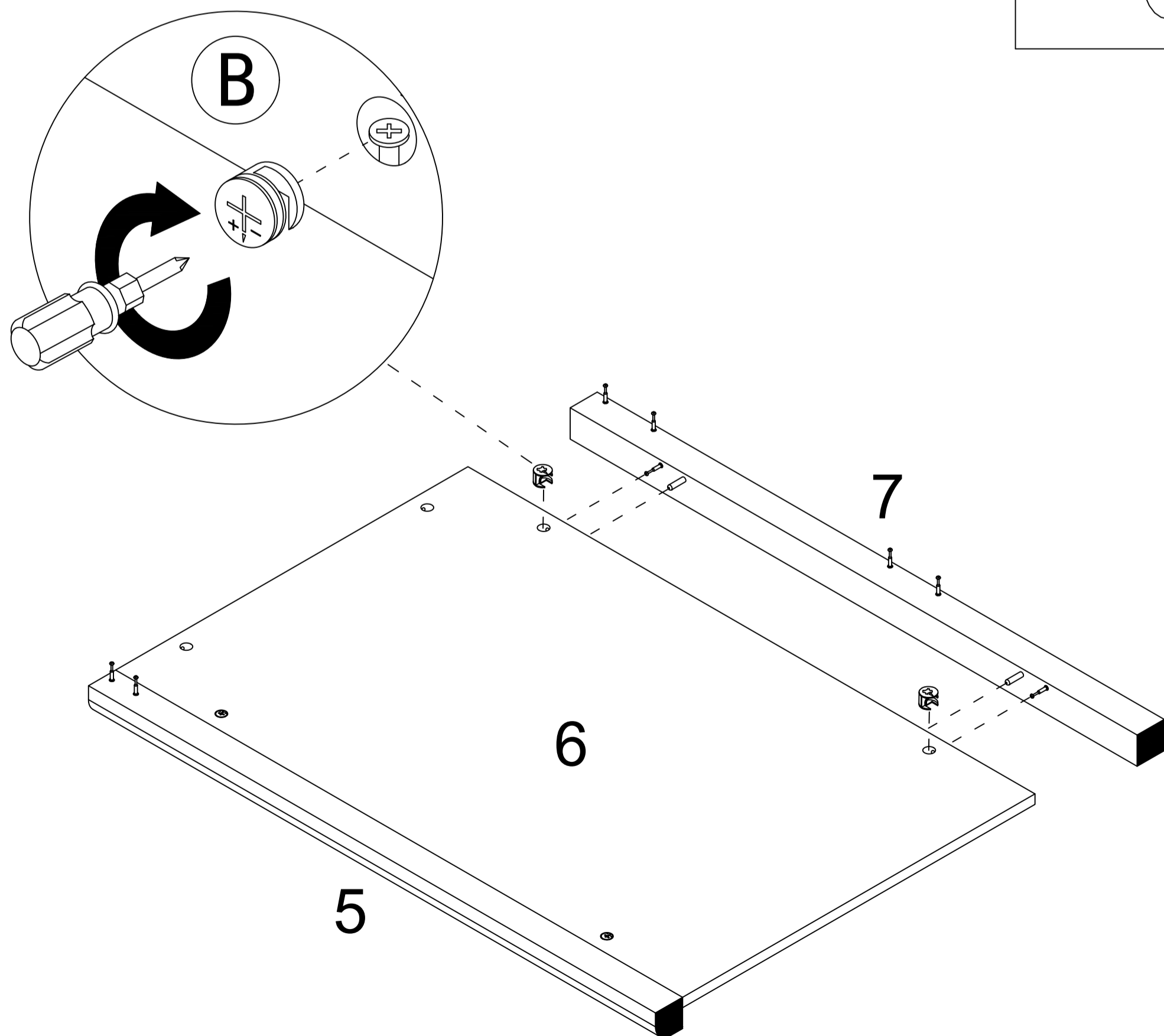
Step 22

B  x2

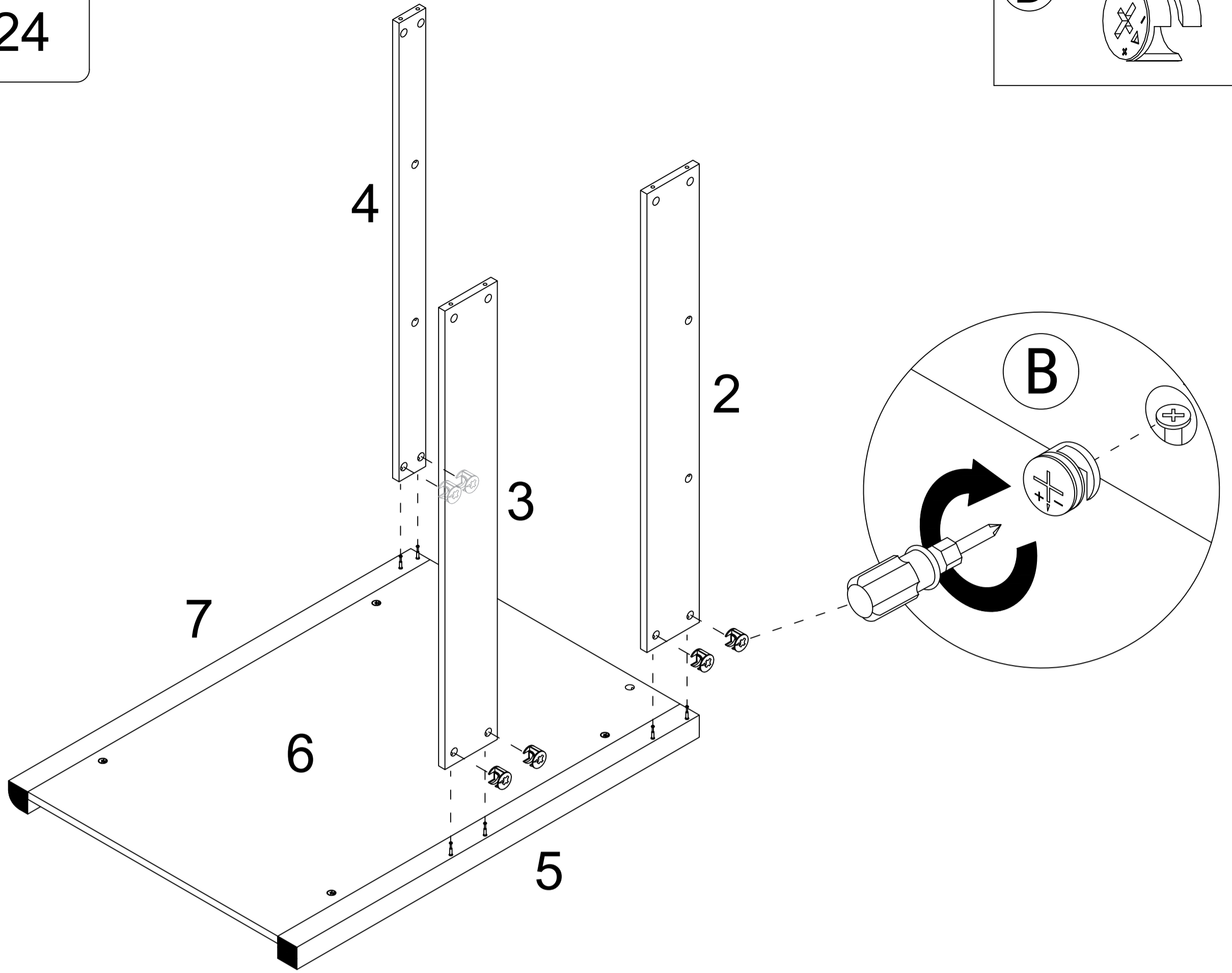
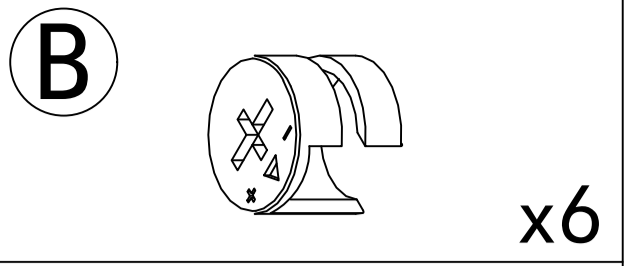


Step 23

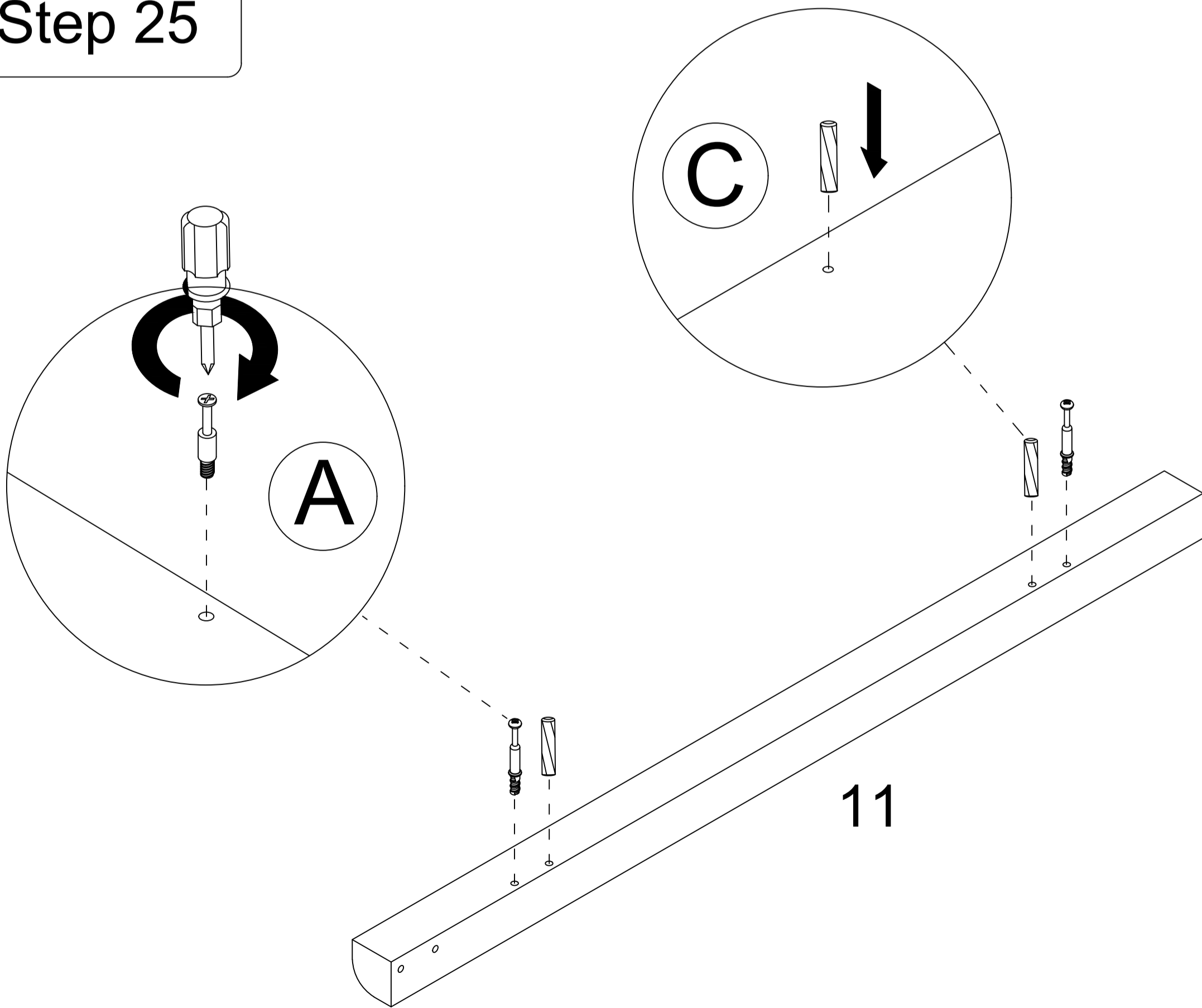
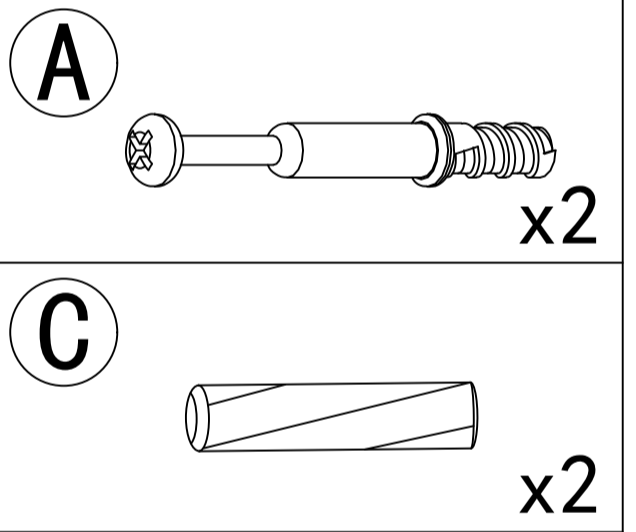
B  x2



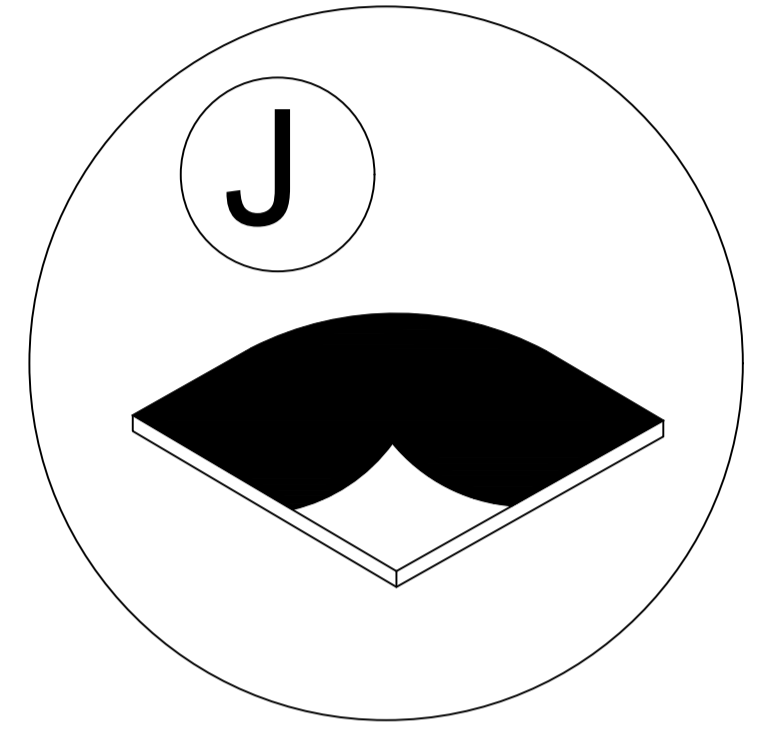
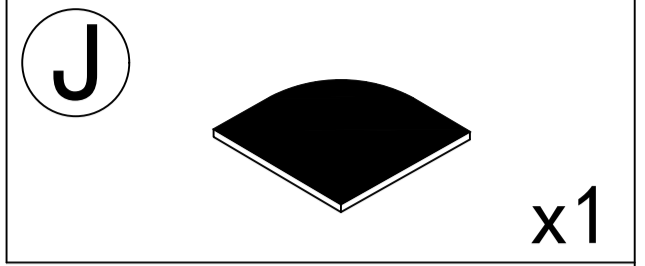
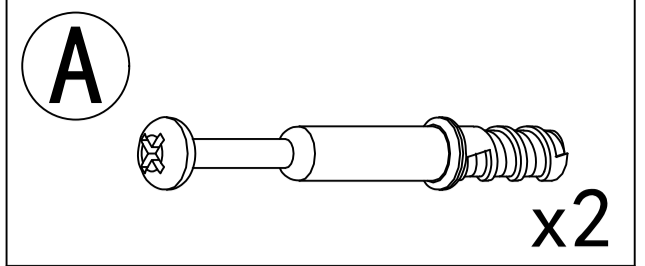
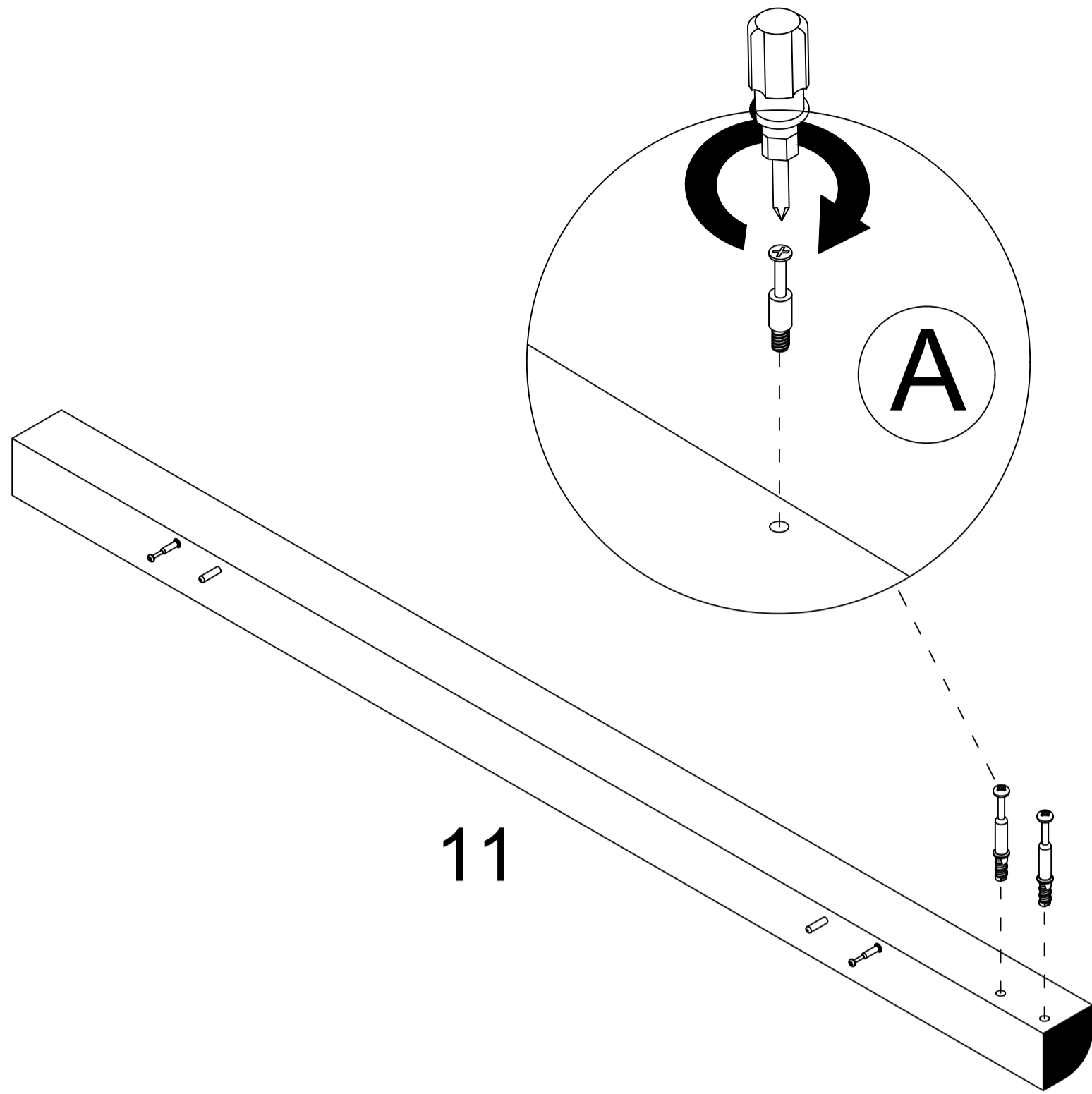
Step 24



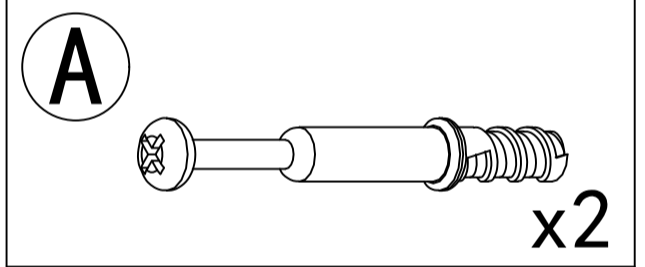
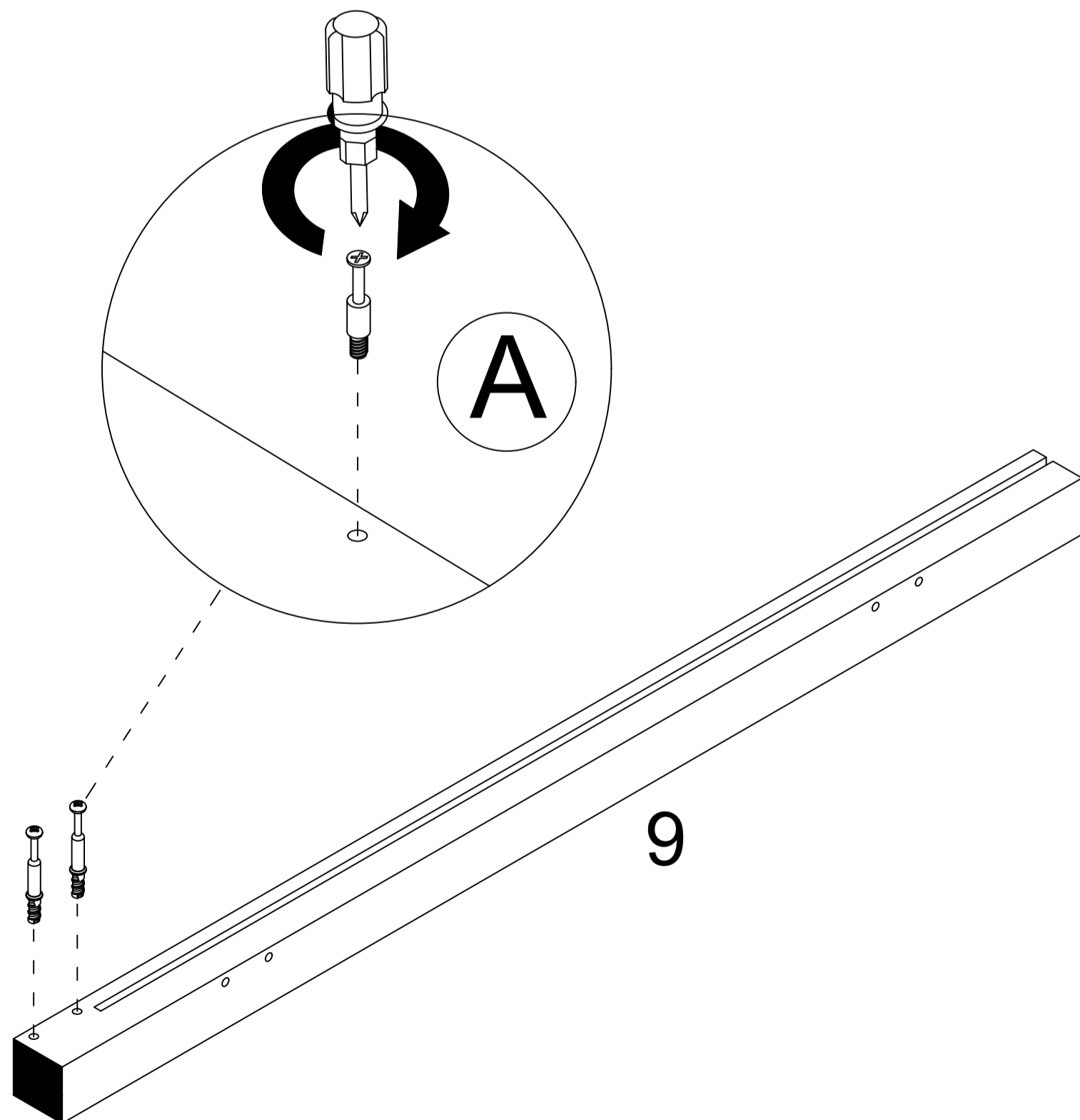
Step 25



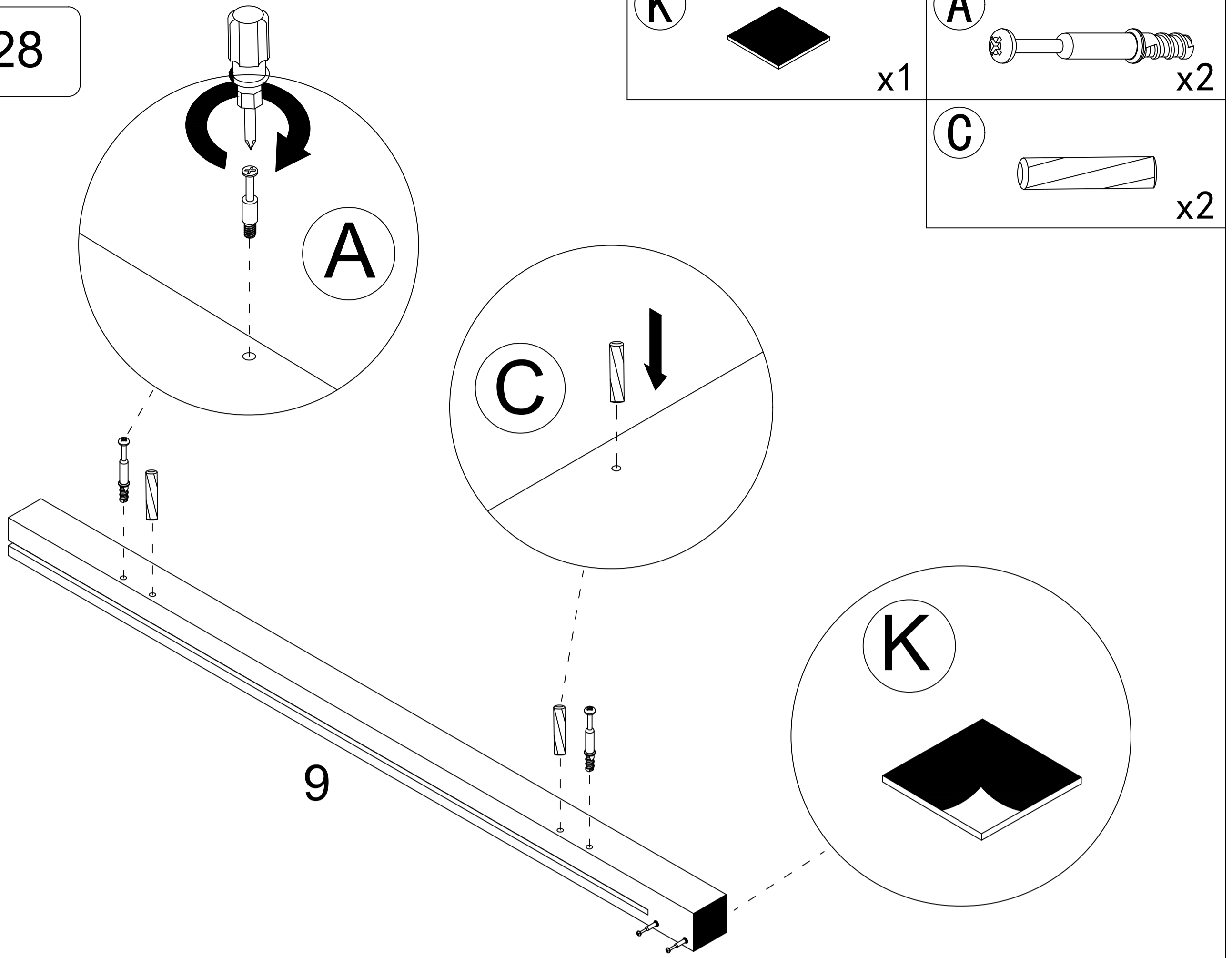
Step 26



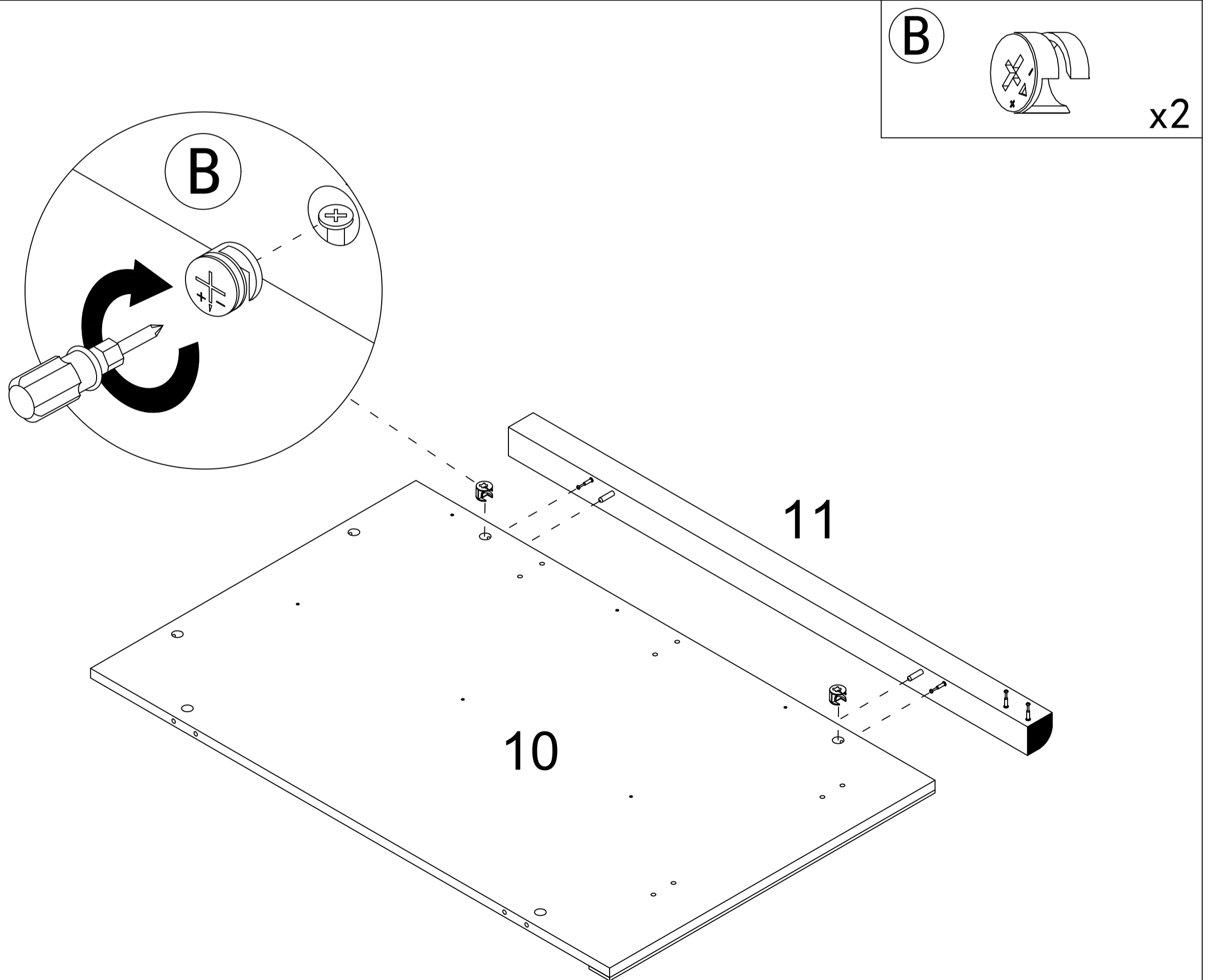
Step 27



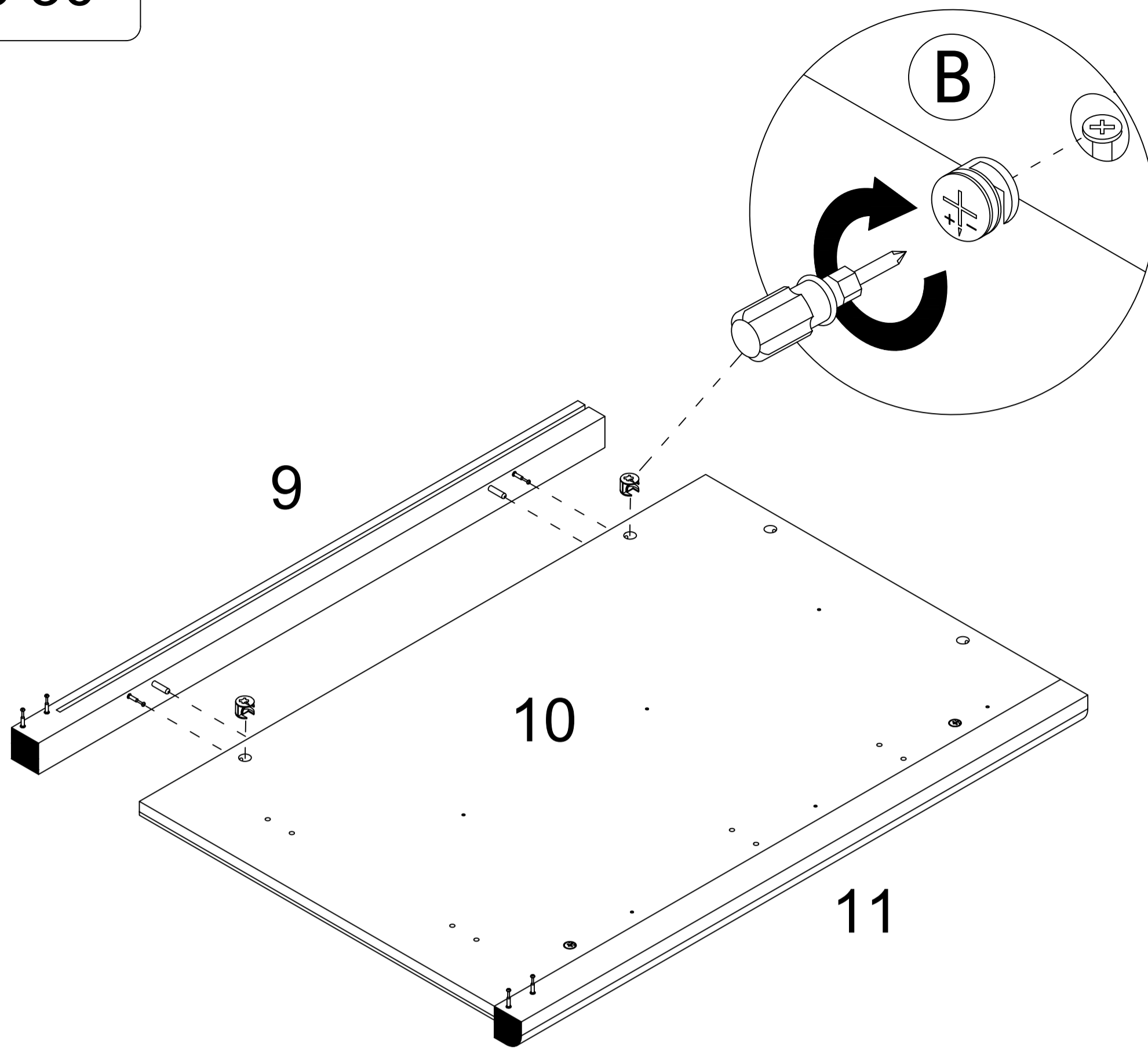
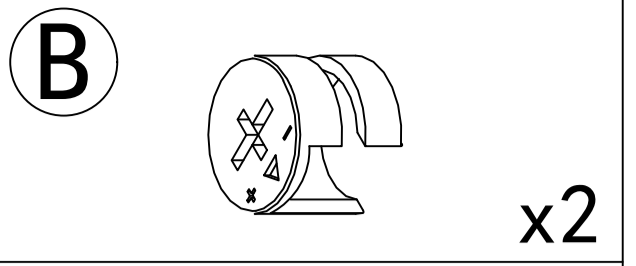
Step 28



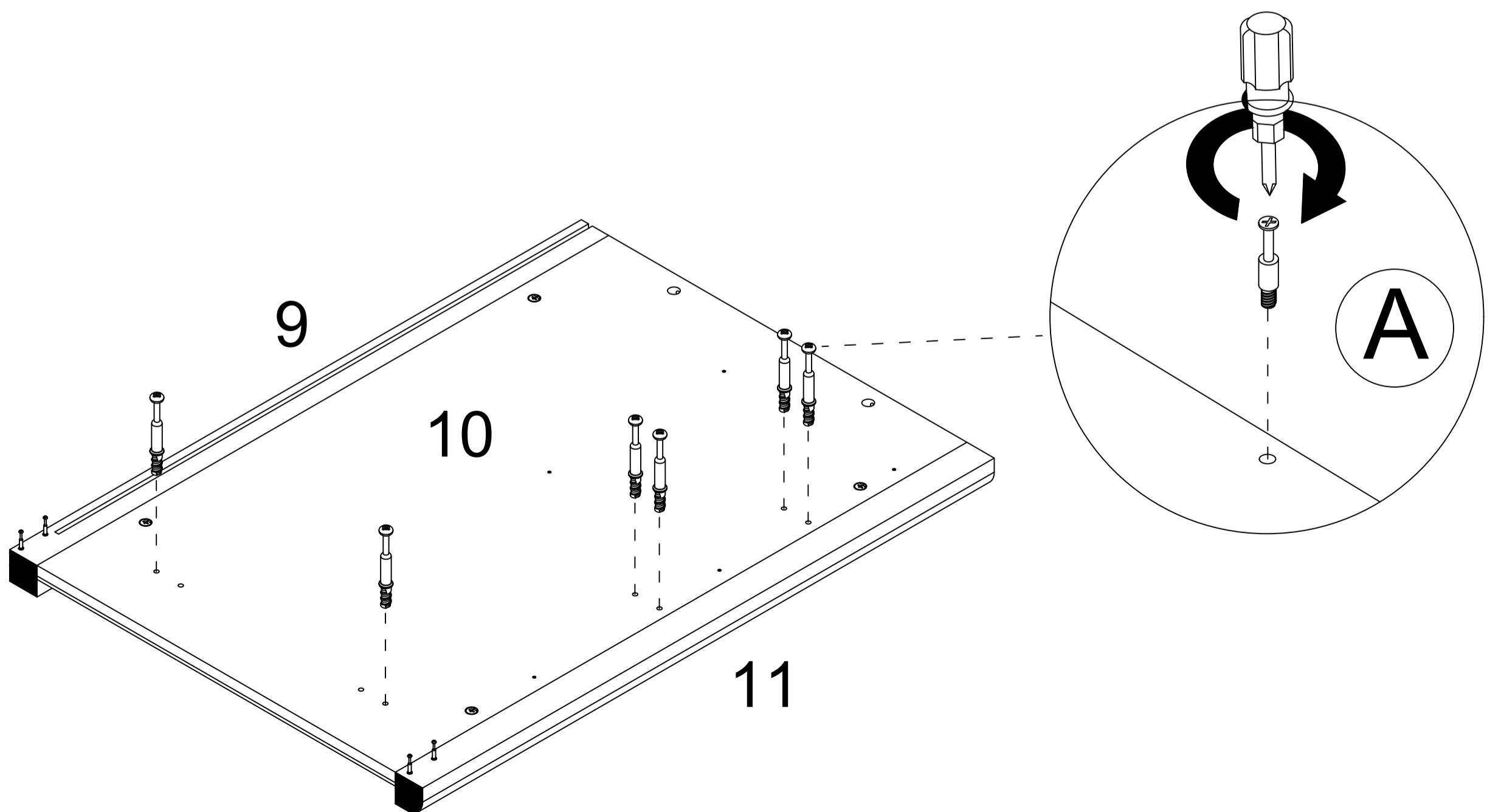
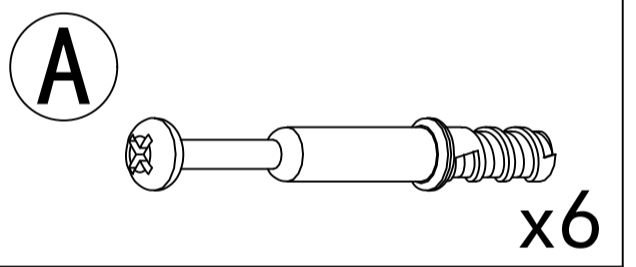
Step 29



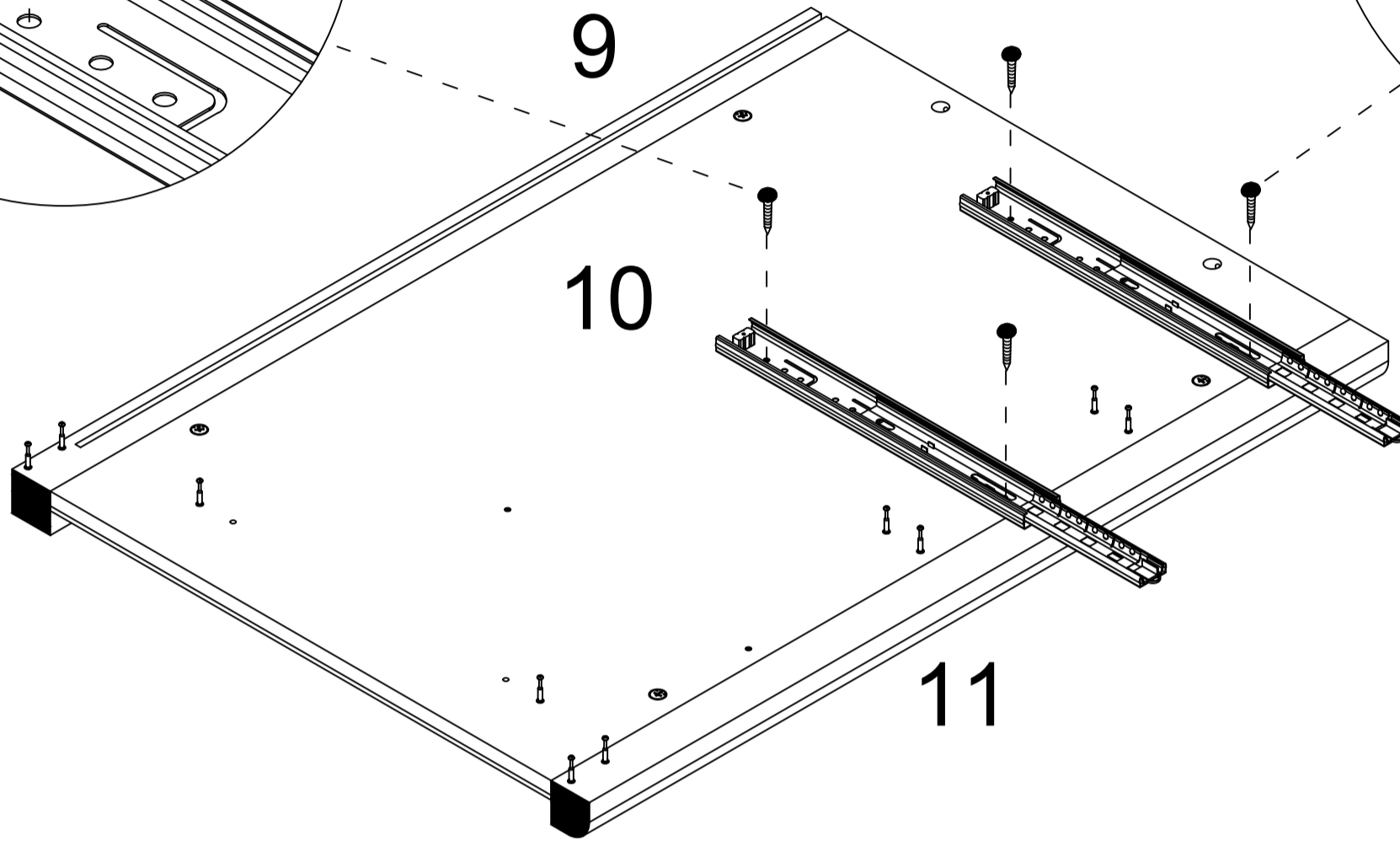
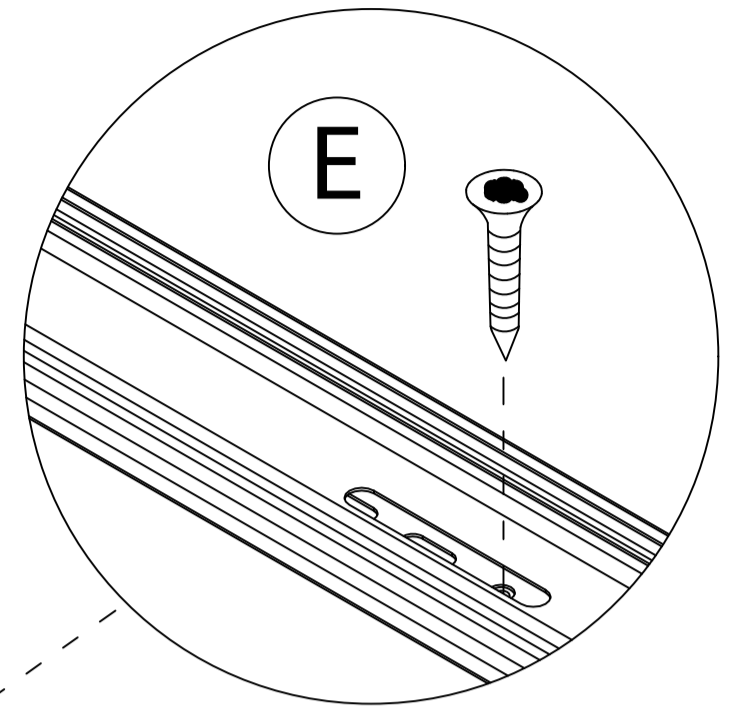
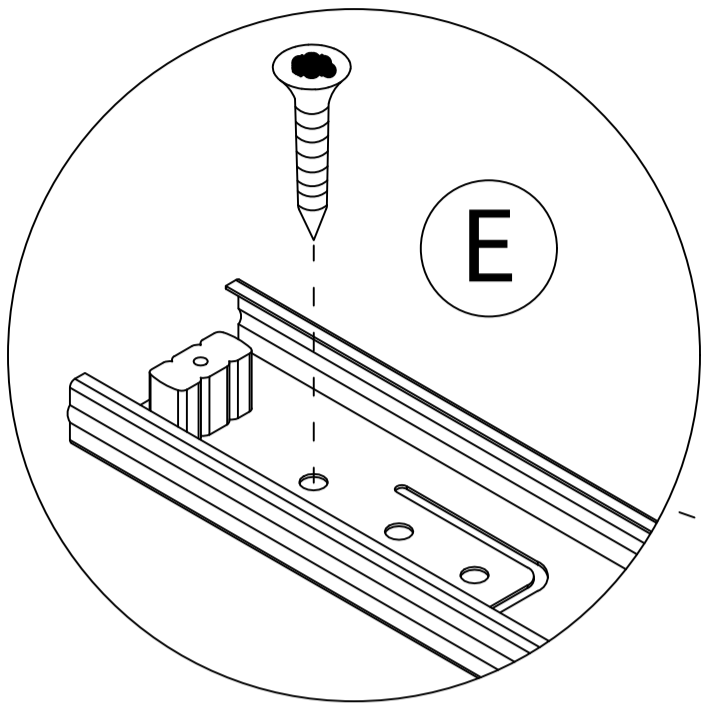
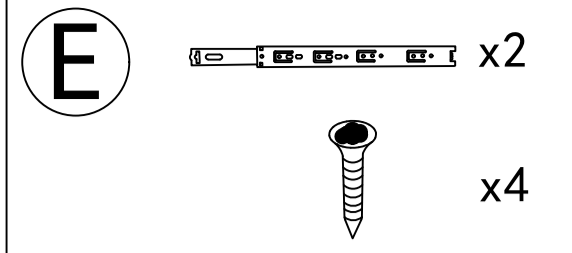
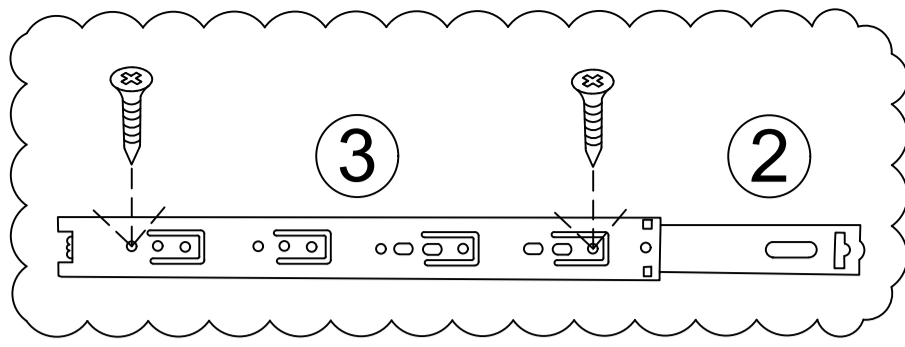
Step 30



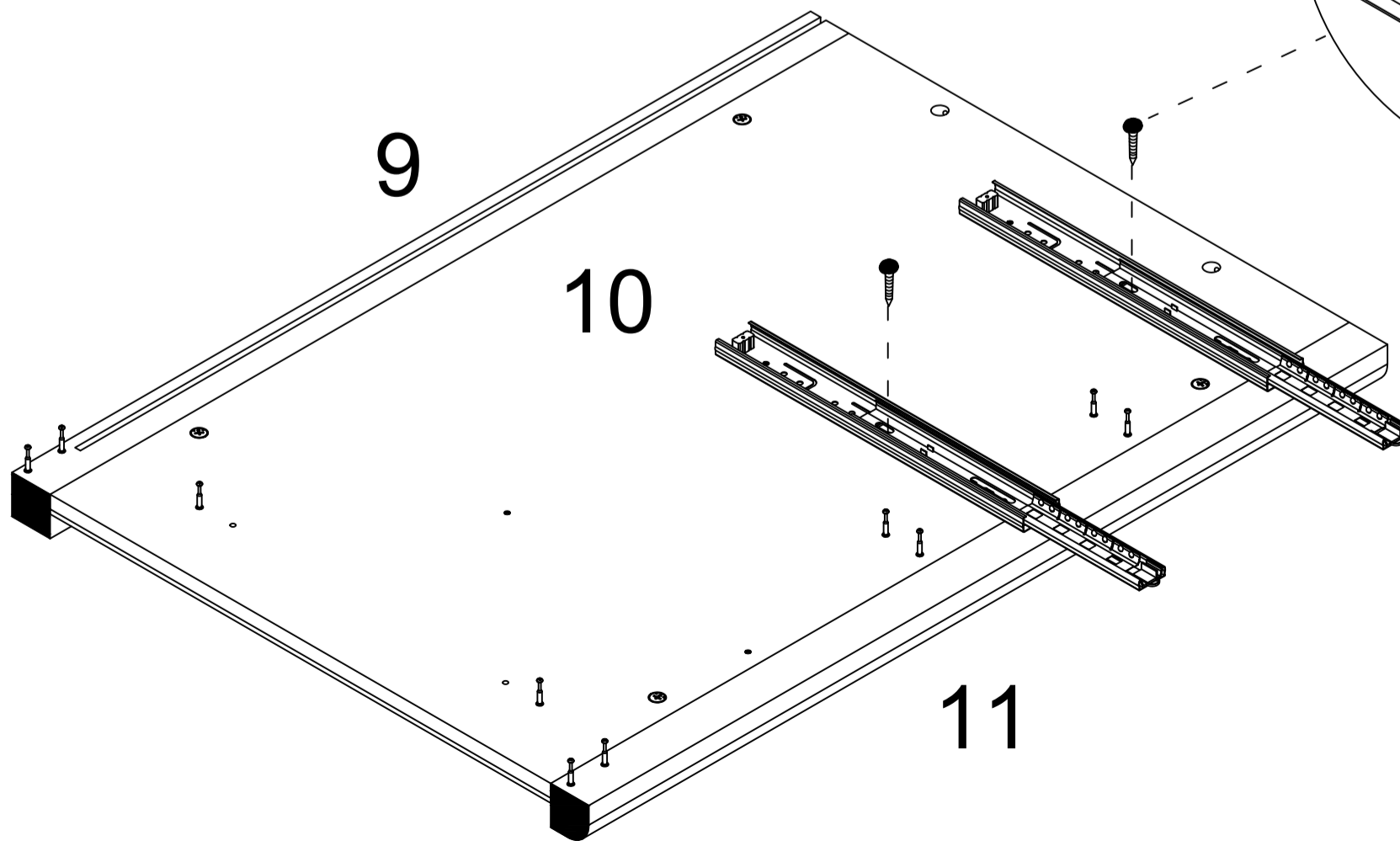
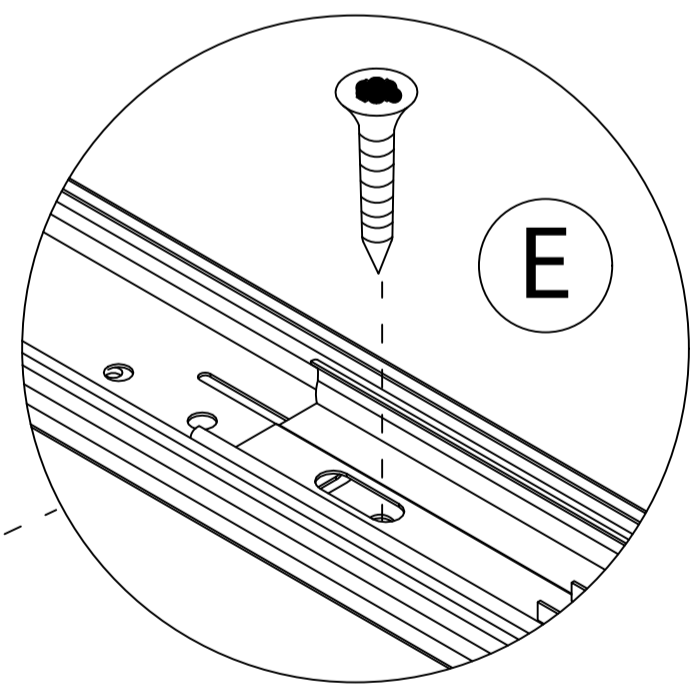
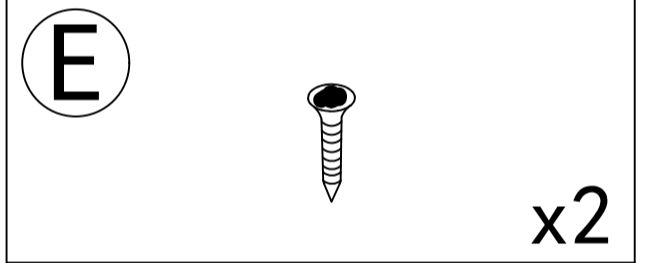
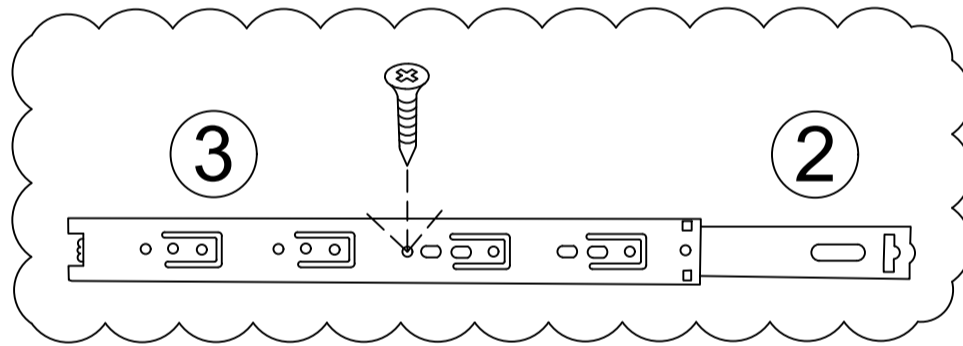
Step 31



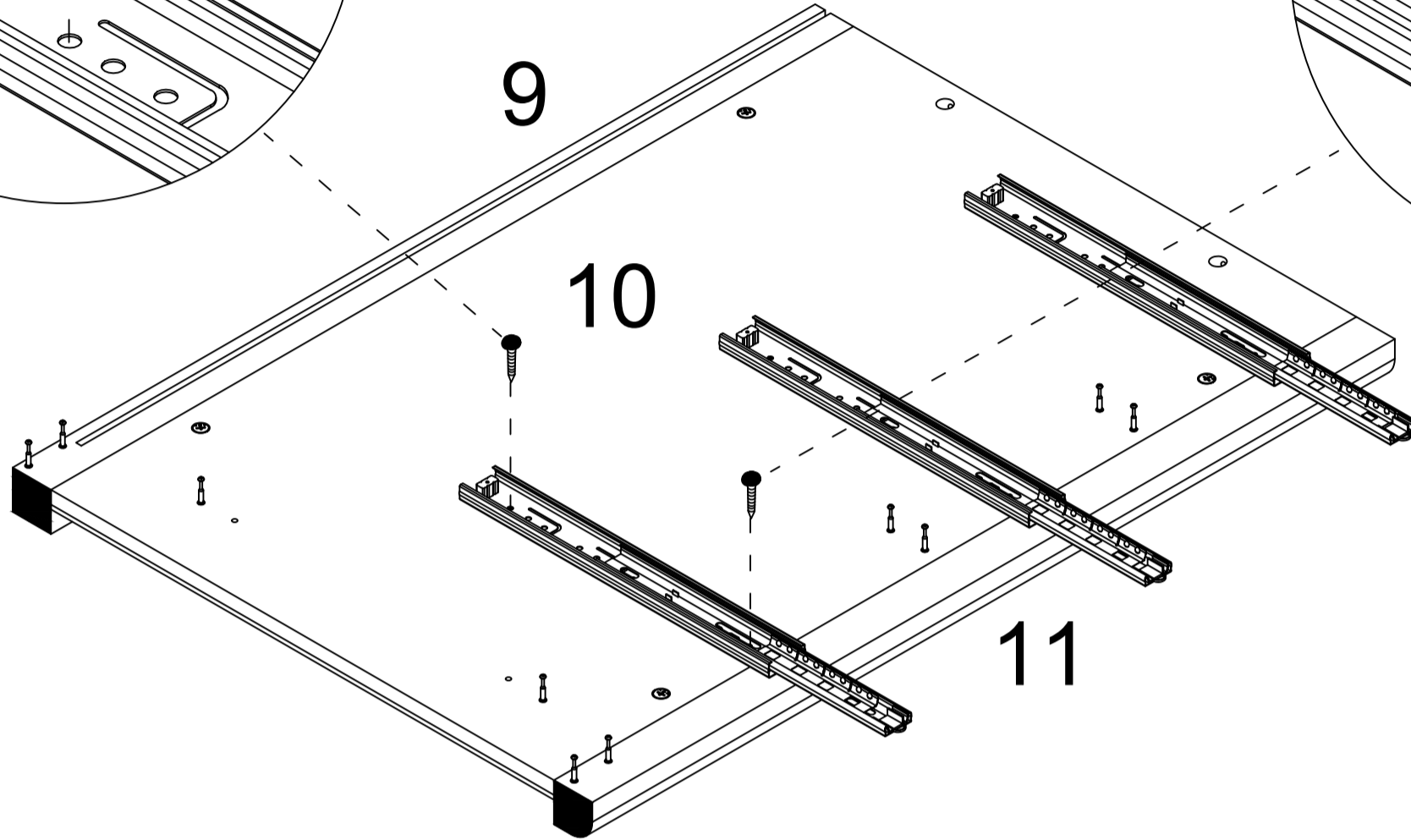
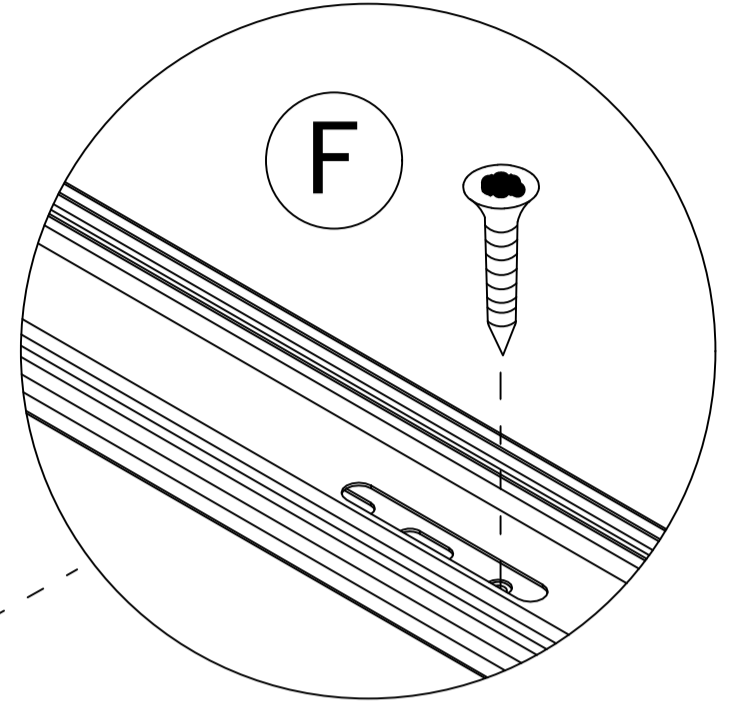
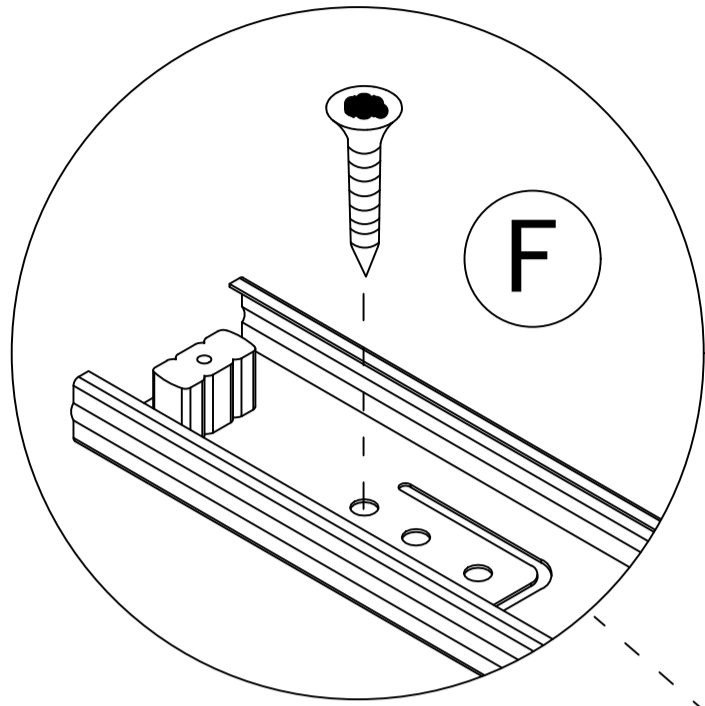
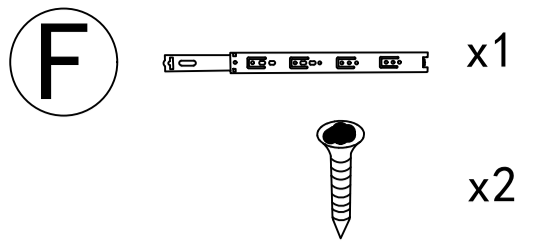
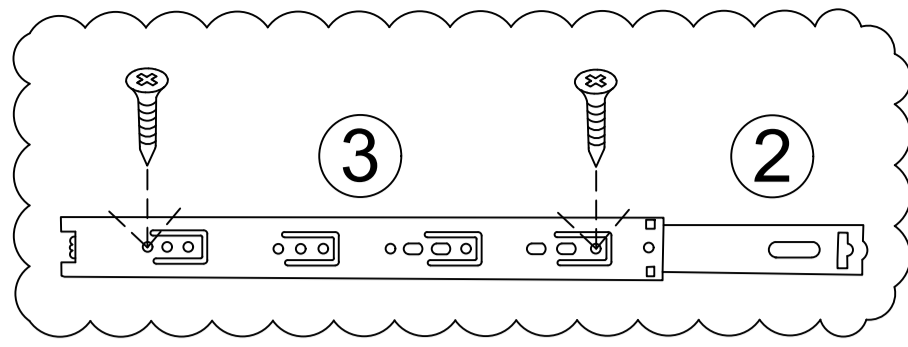
Step 32



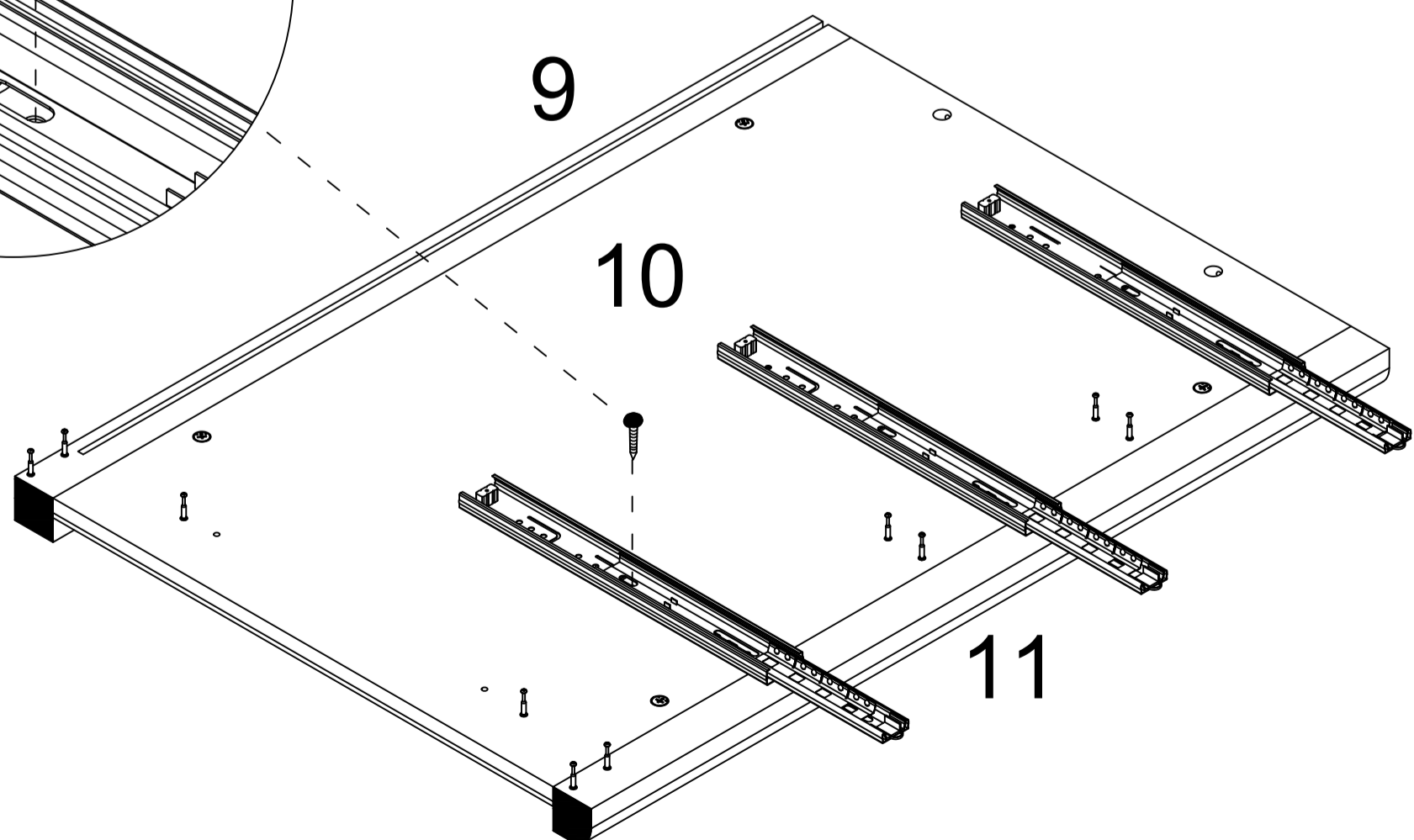
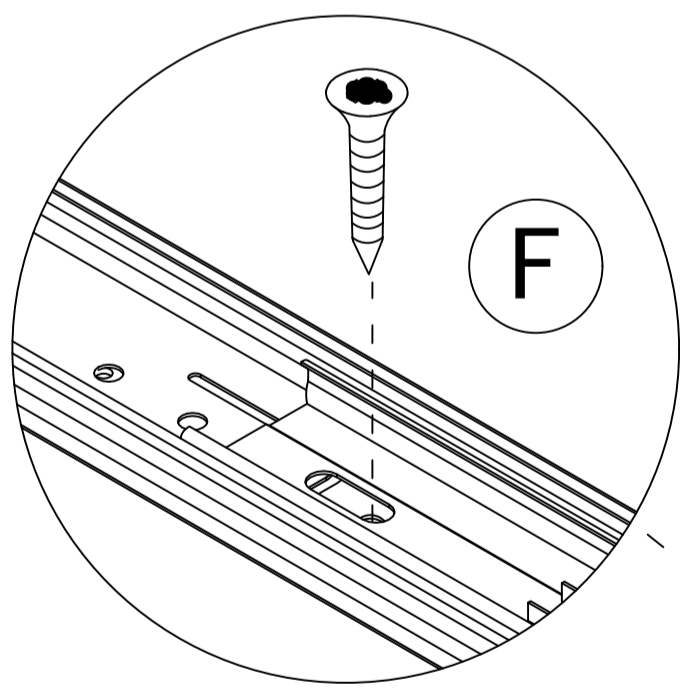
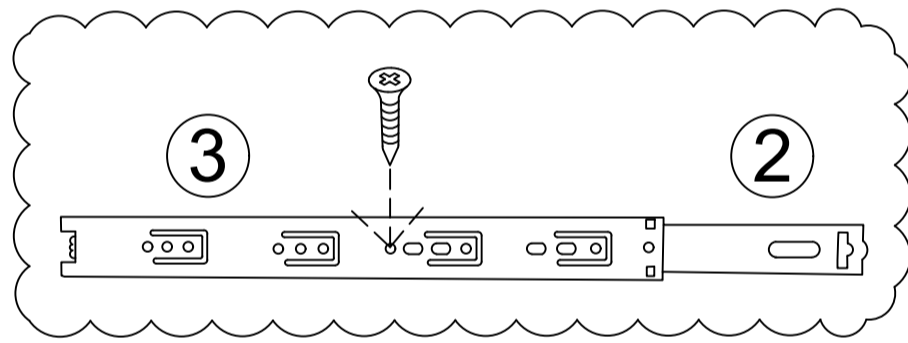
Step 33



Step 34

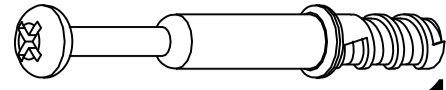
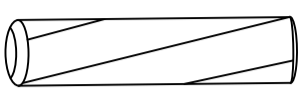


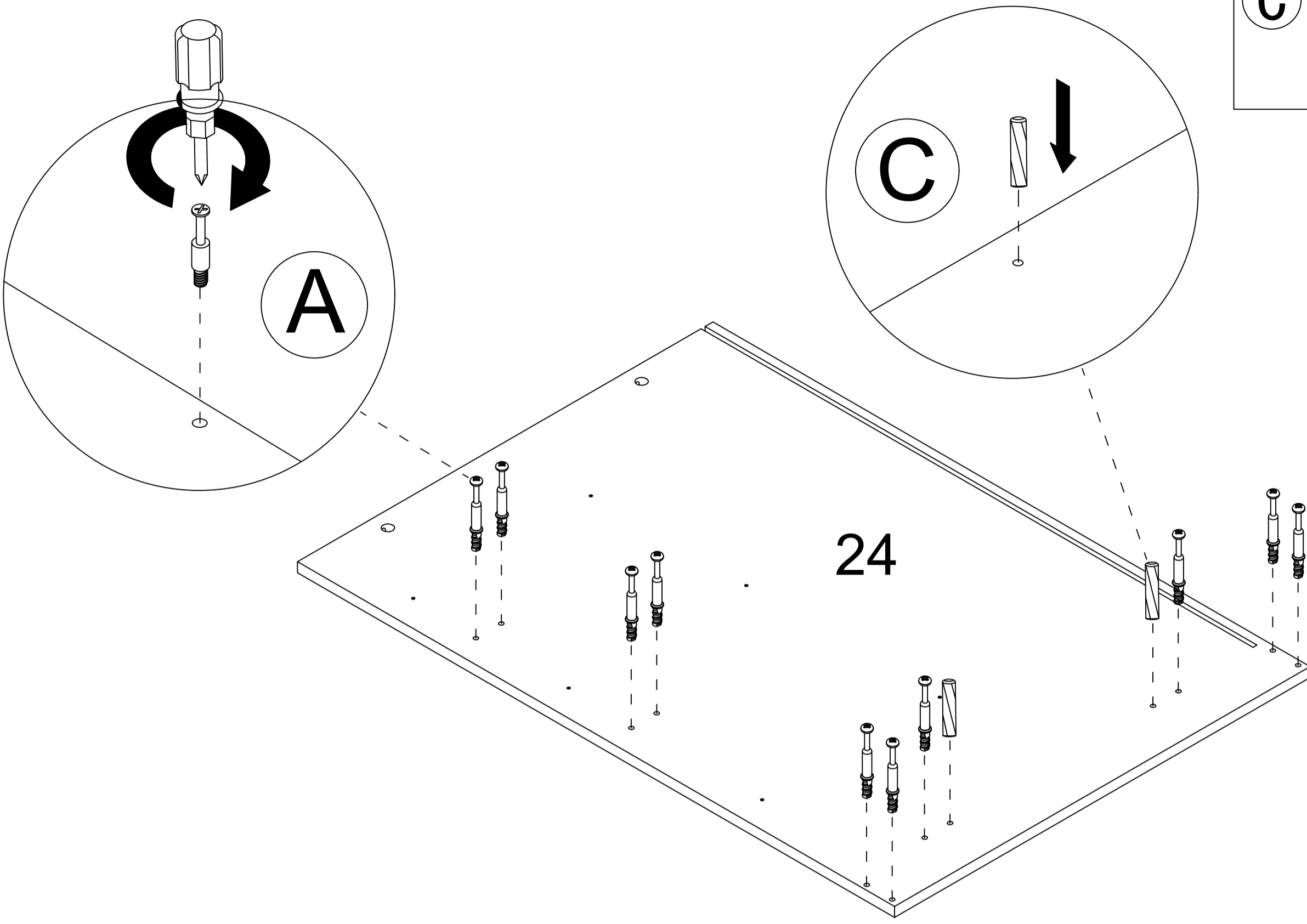
Step 35




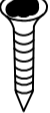
This hole is for strengthening fixed hole customers can choose to install according to their needs.

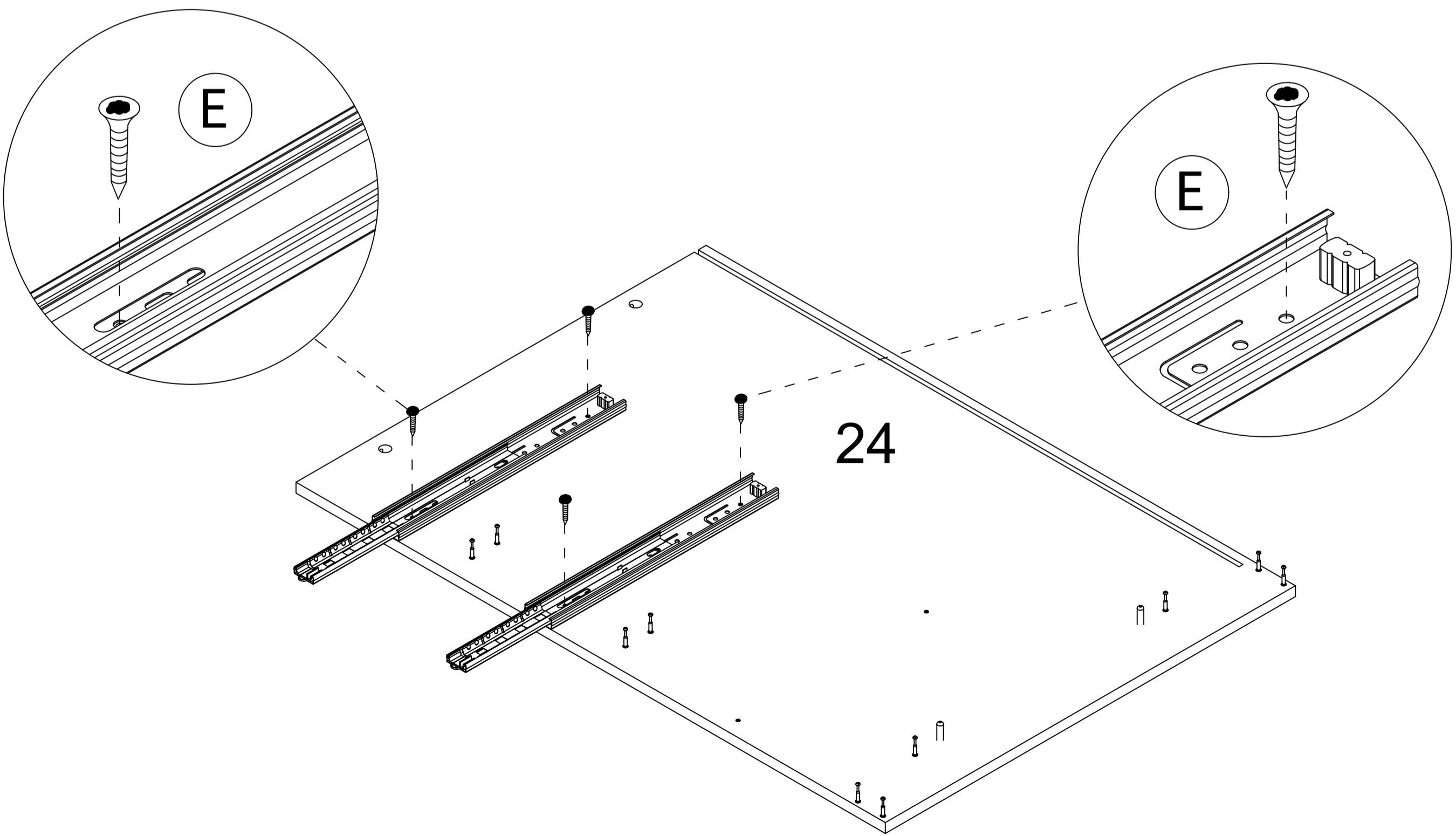
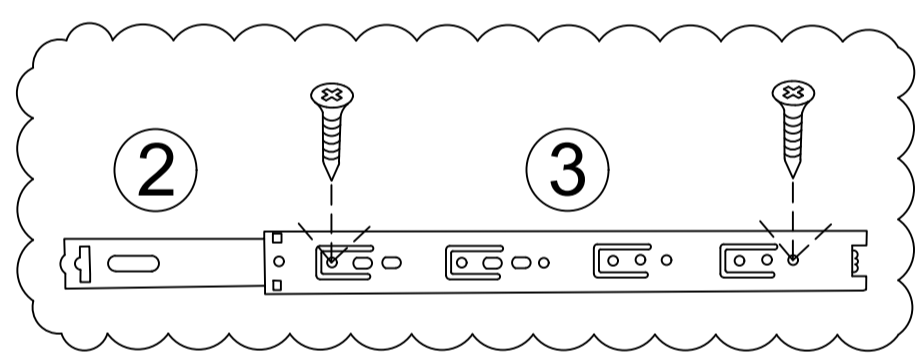
Step 36

- A**  x10
- C**  x2



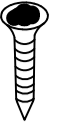
Step 37

- E**  x2
-  x4

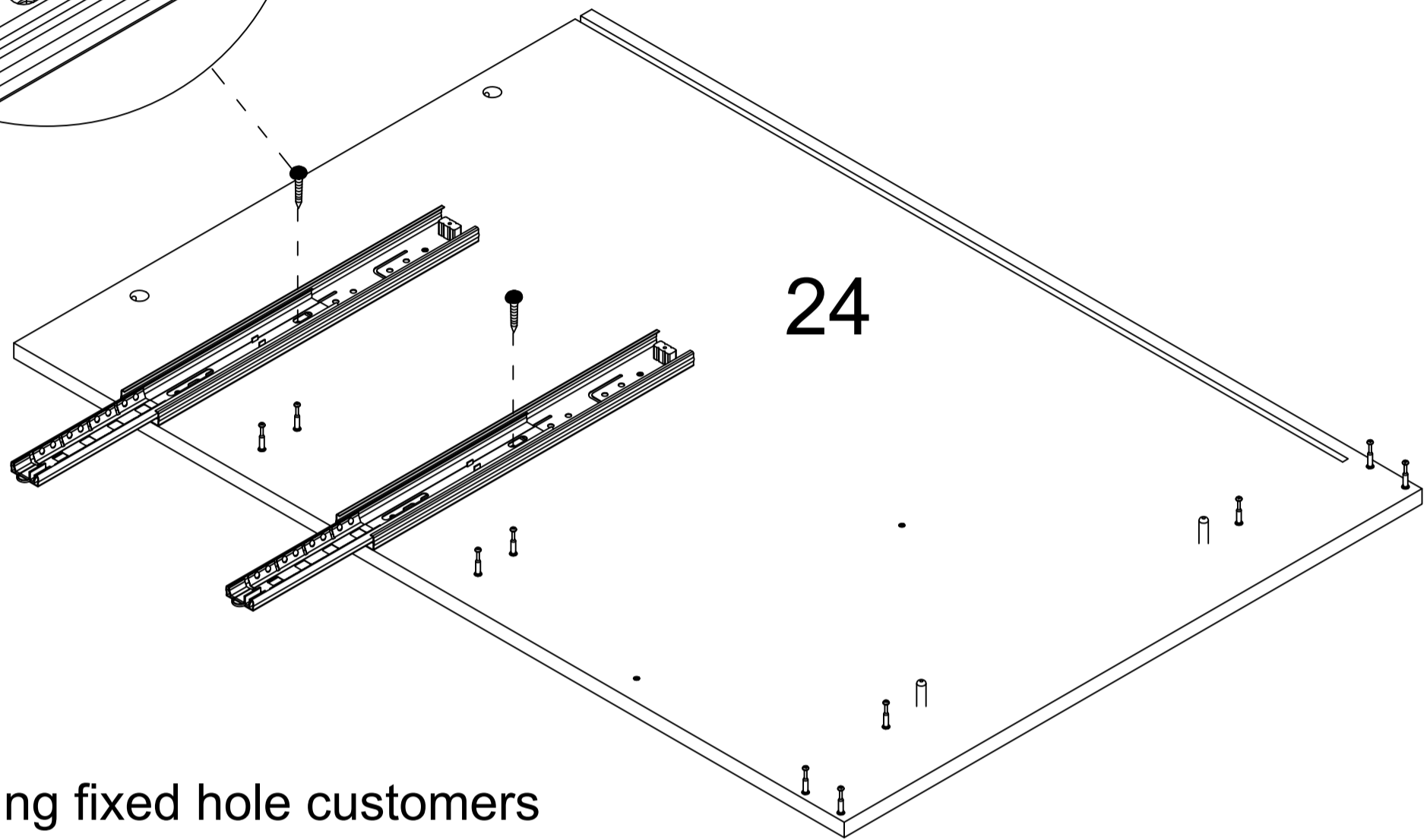
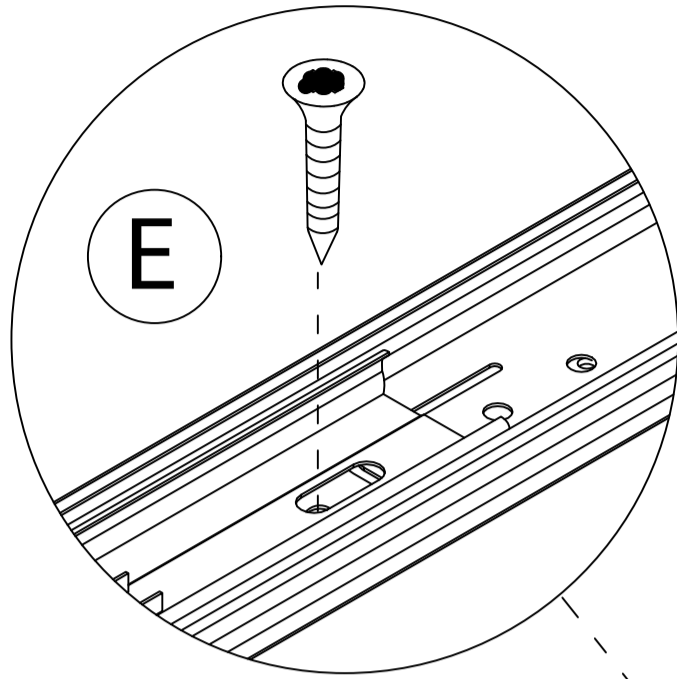
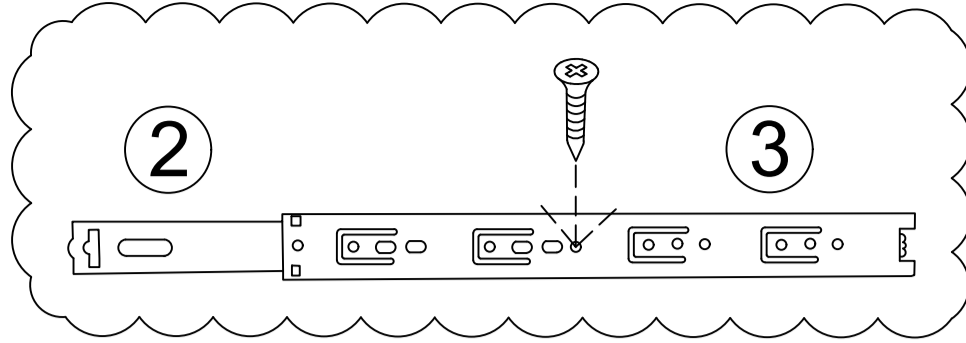


Step 38

E



x2



This hole is for strengthening fixed hole customers can choose to install according to their needs.

Step 39

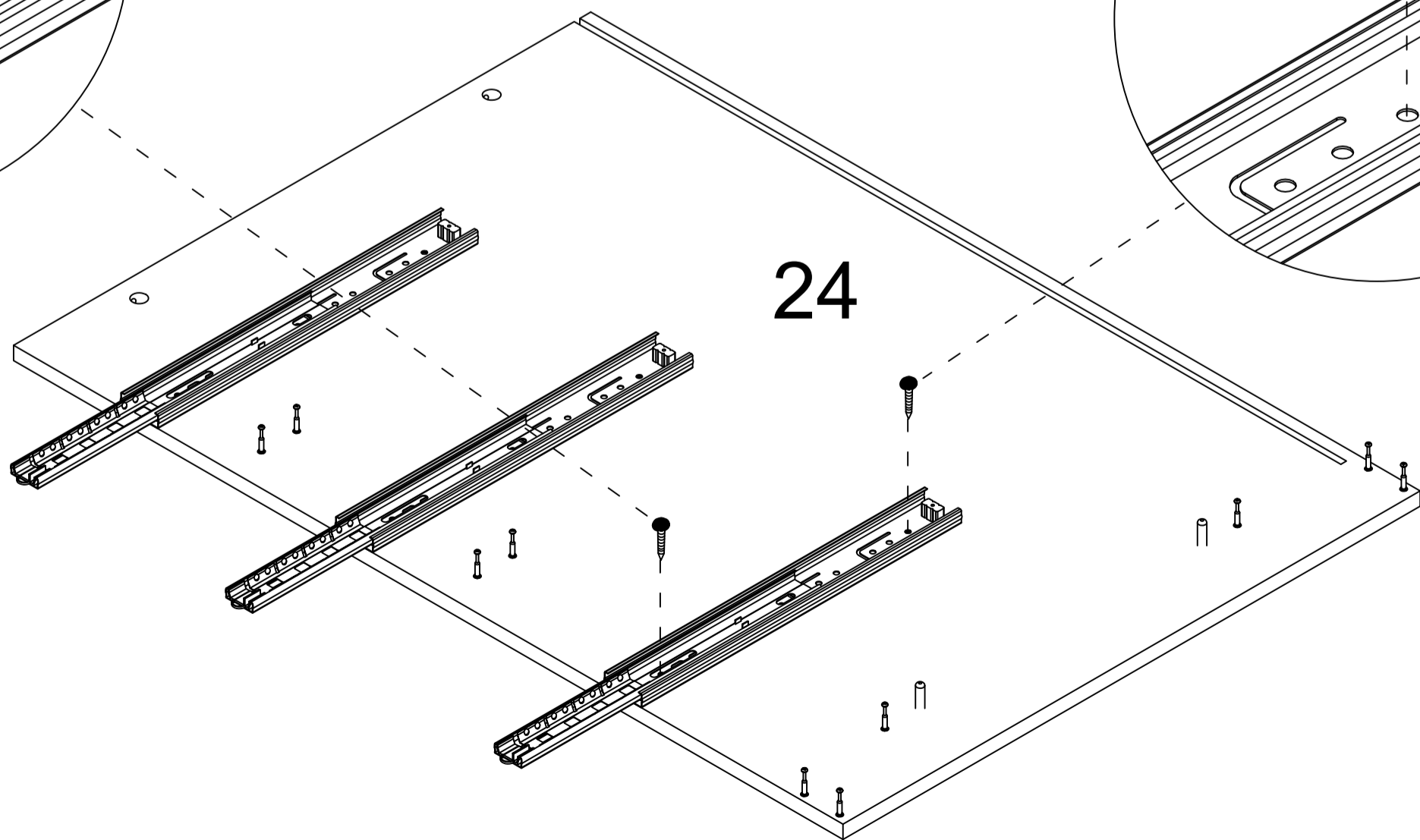
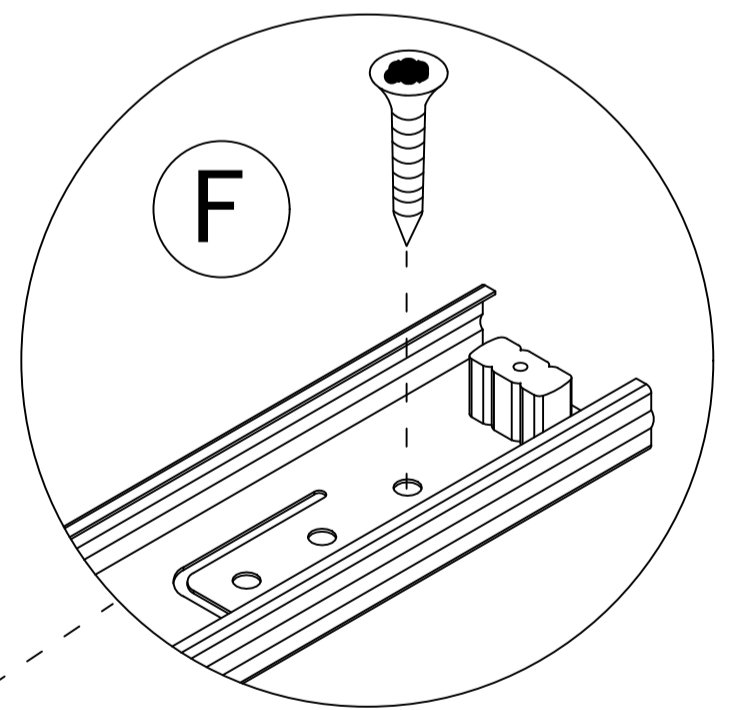
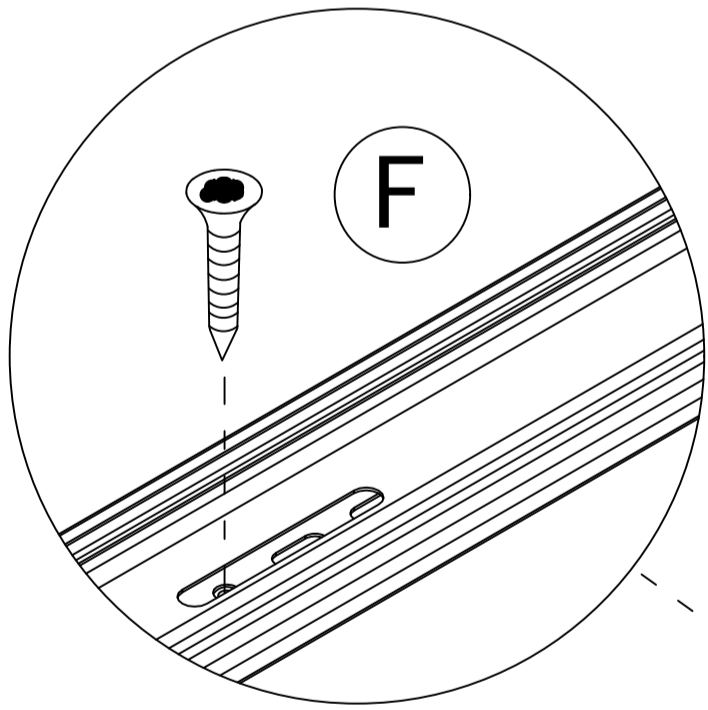
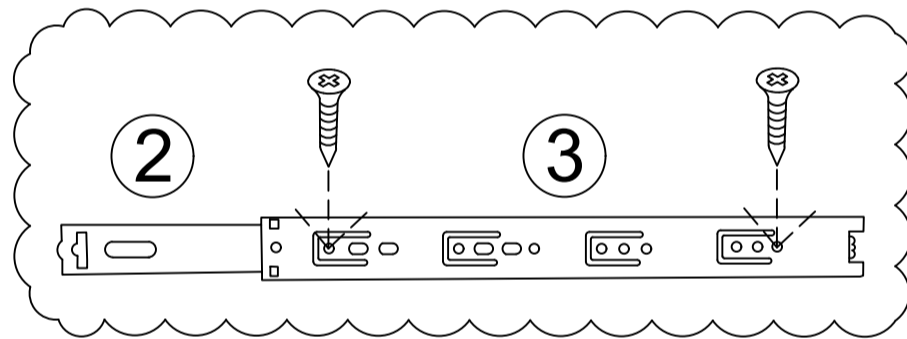
F



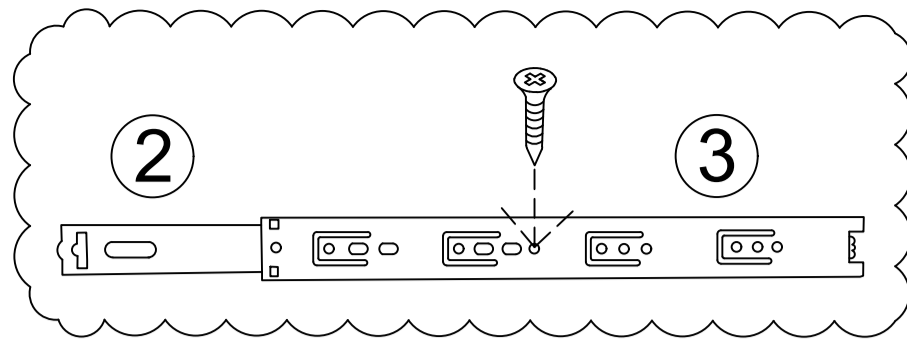
x1



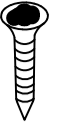
x2



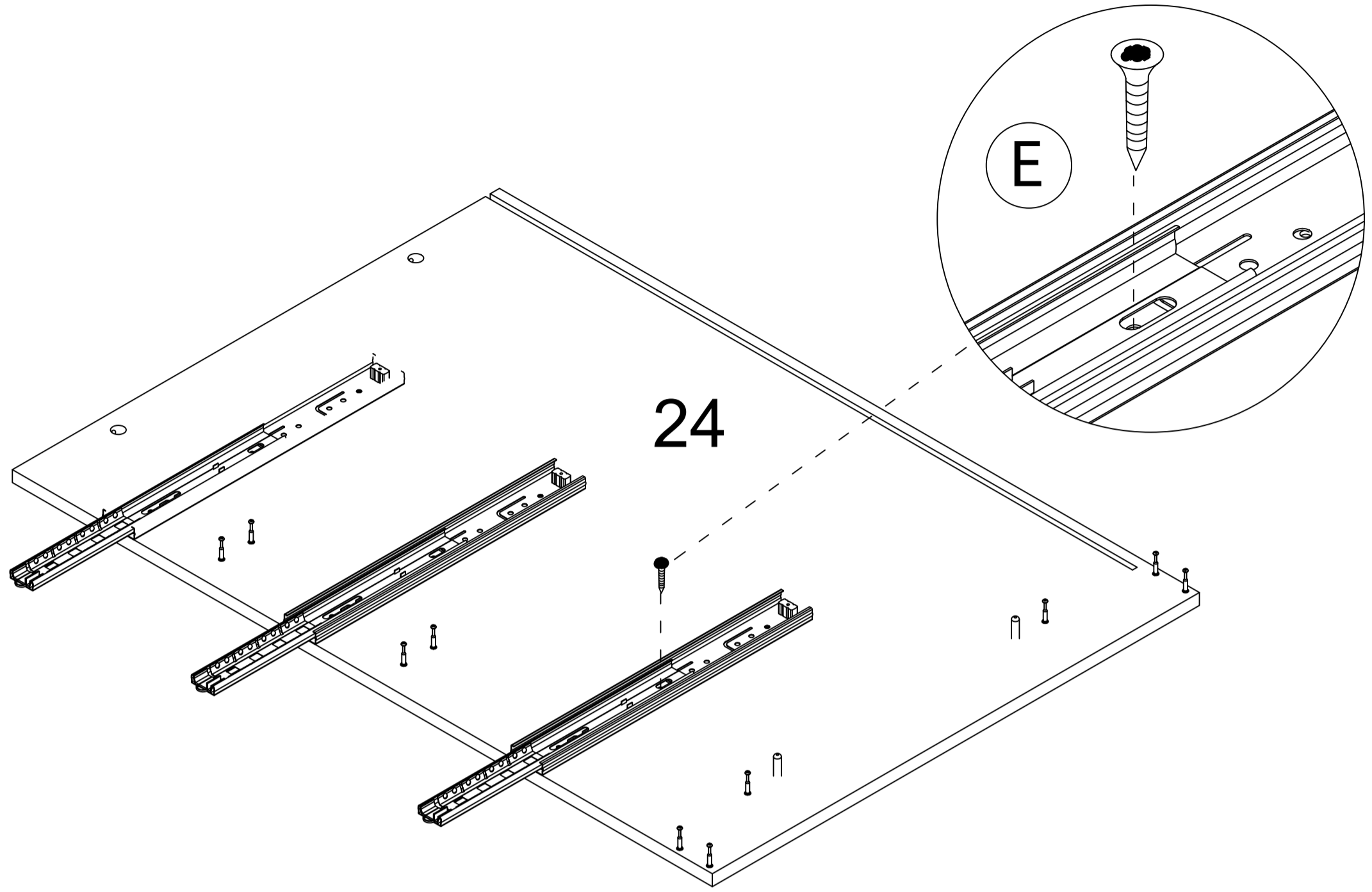
Step 40



F

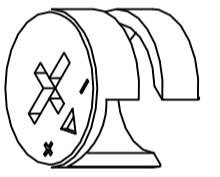


x2



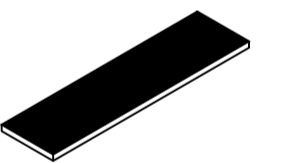
Step 41

B

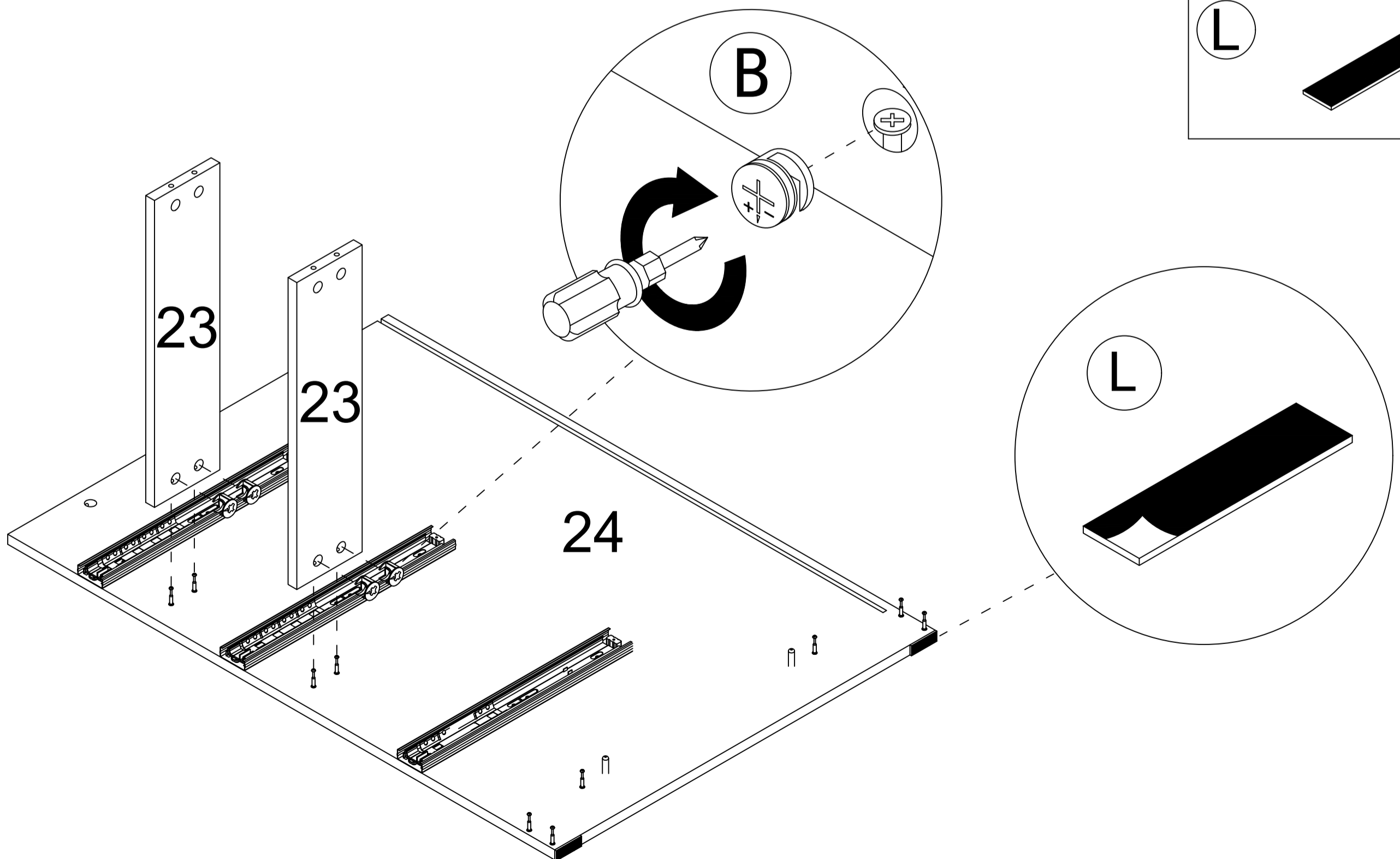


x4

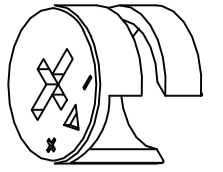
L

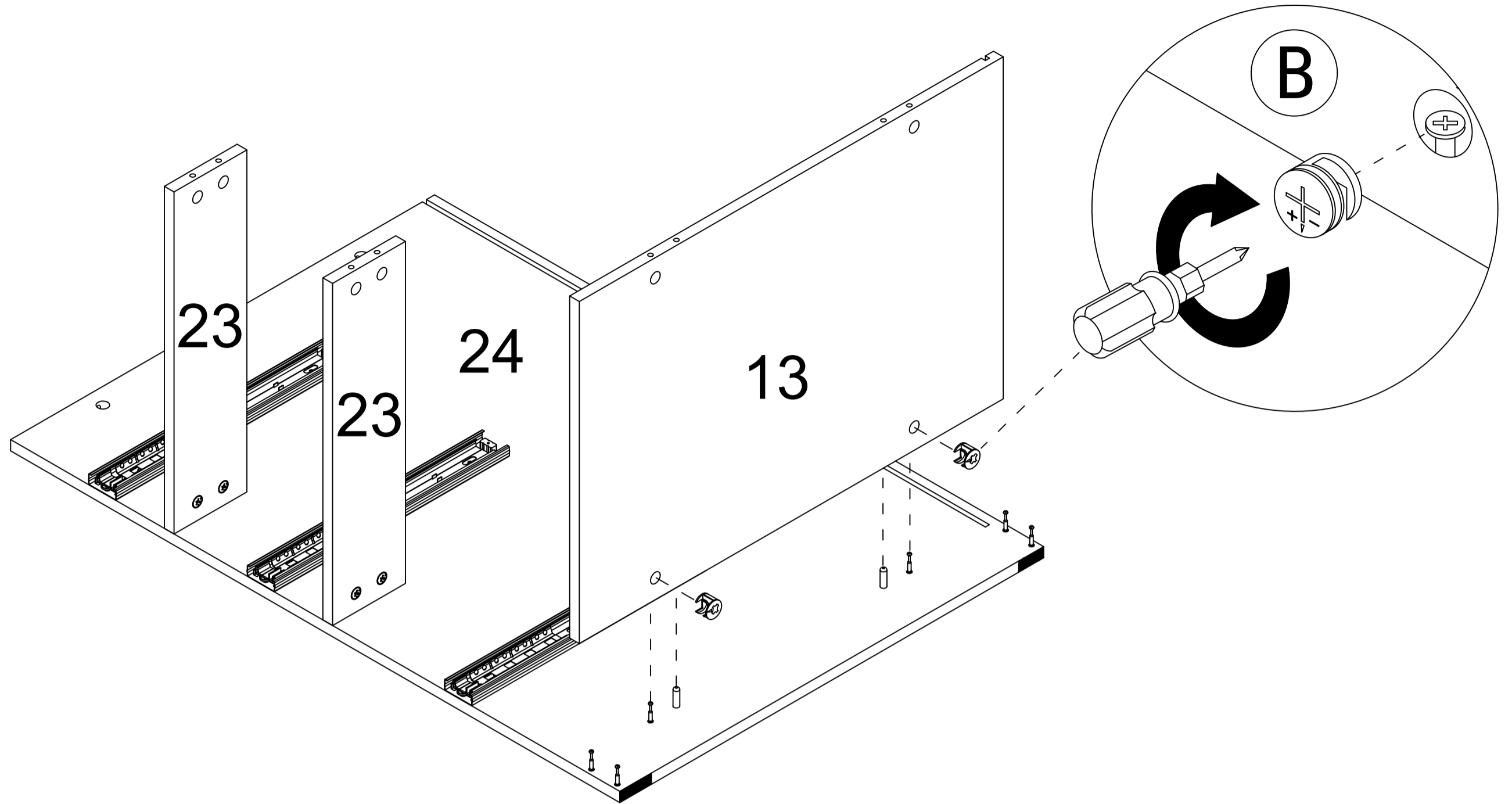


x2

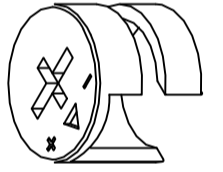


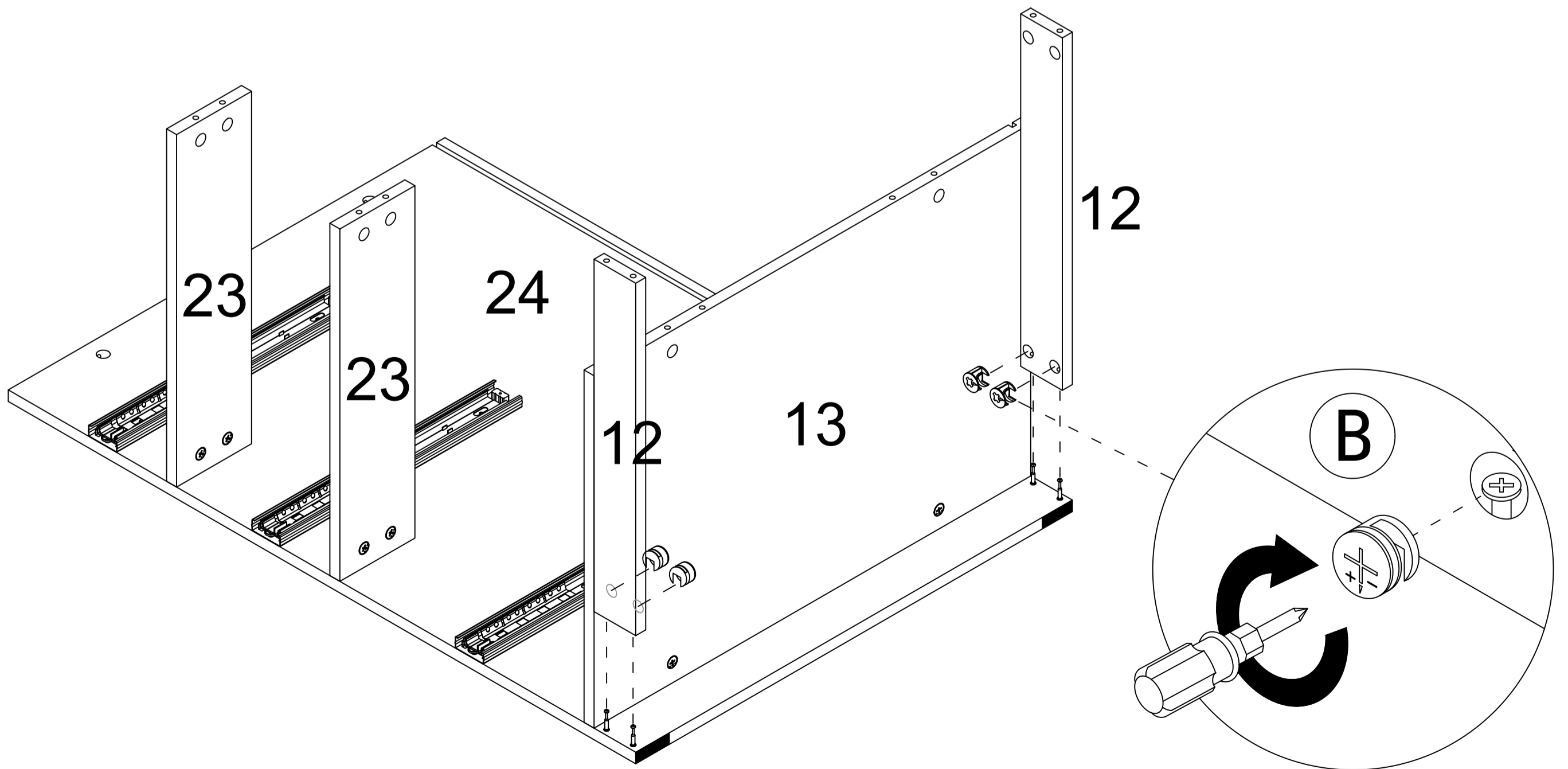
Step 42

B  x2



Step 43

B  x4

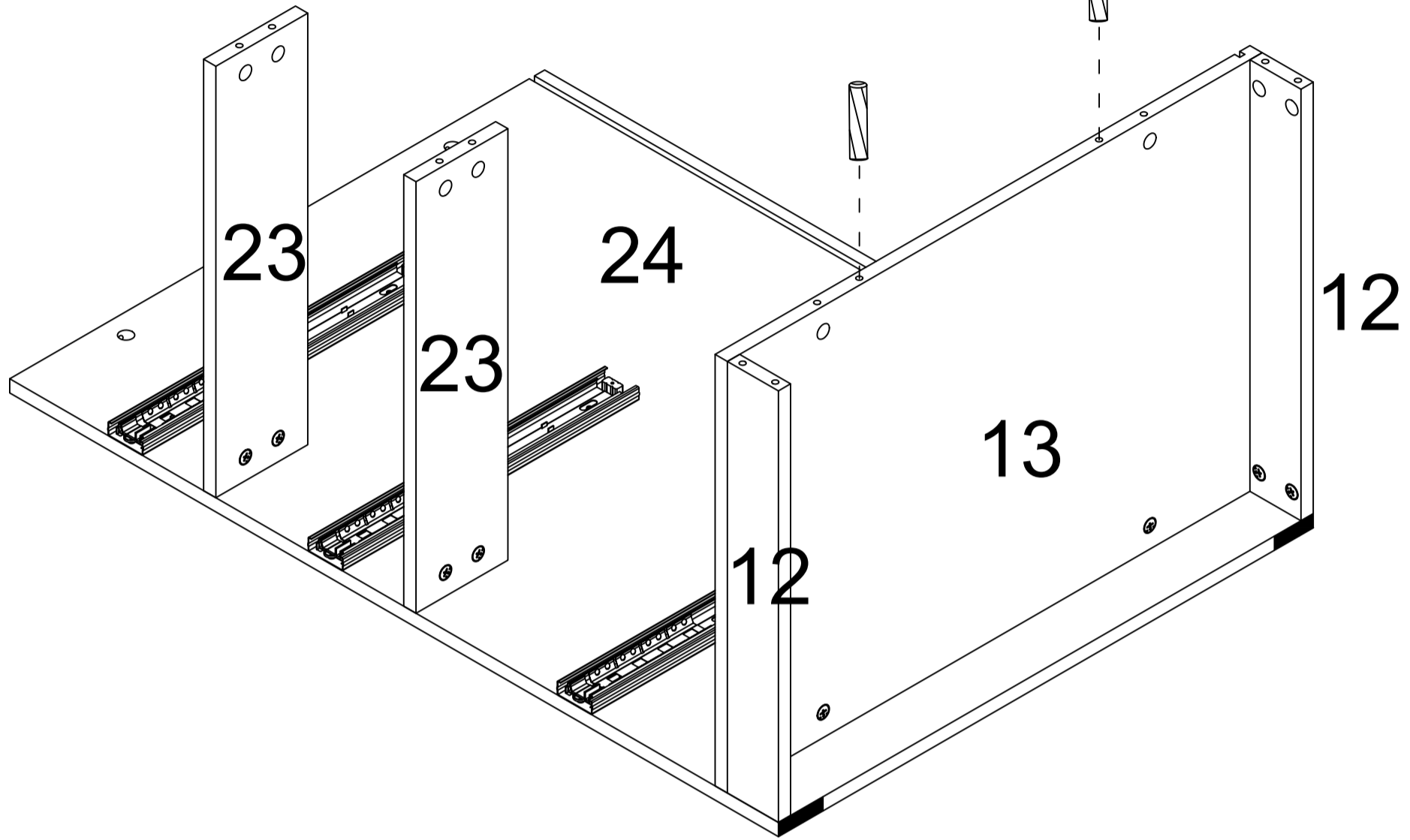
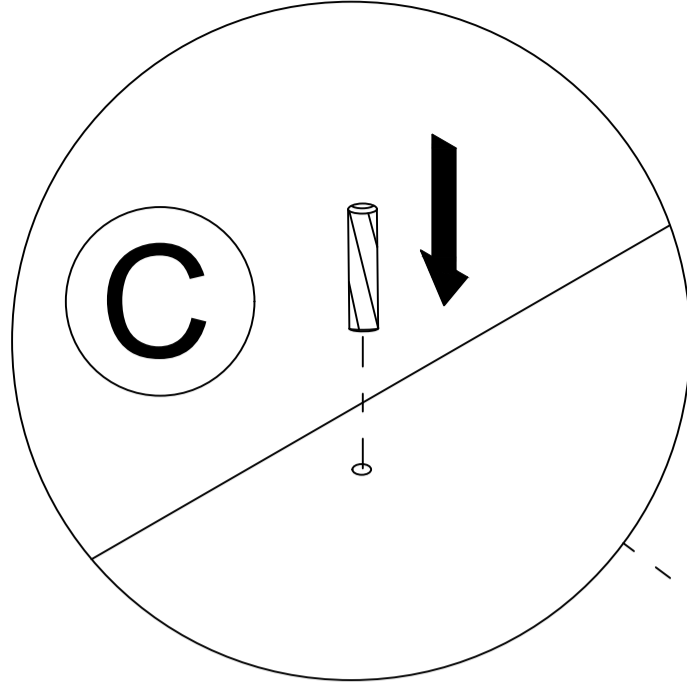


Step 44

C

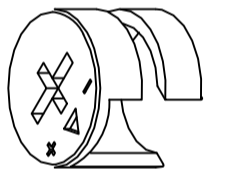


x2

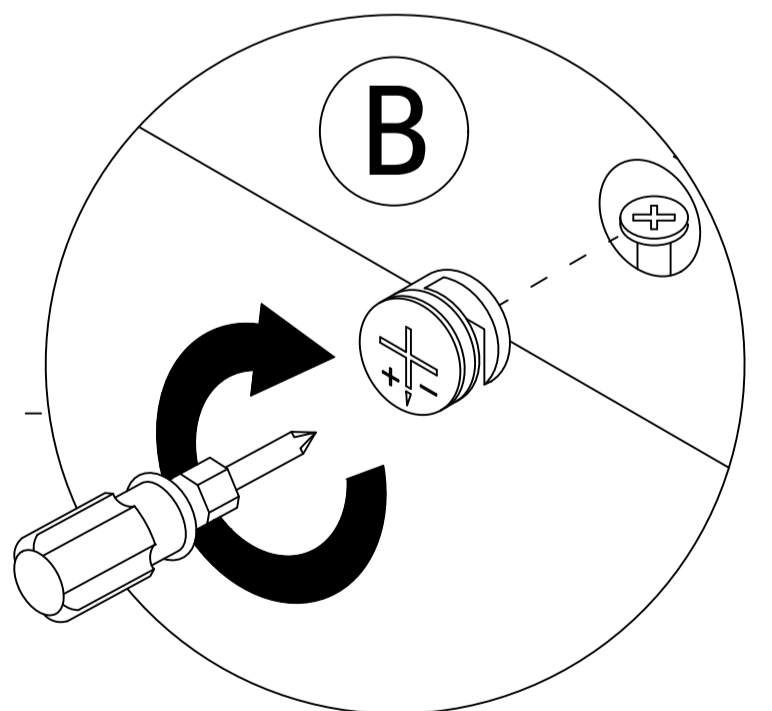
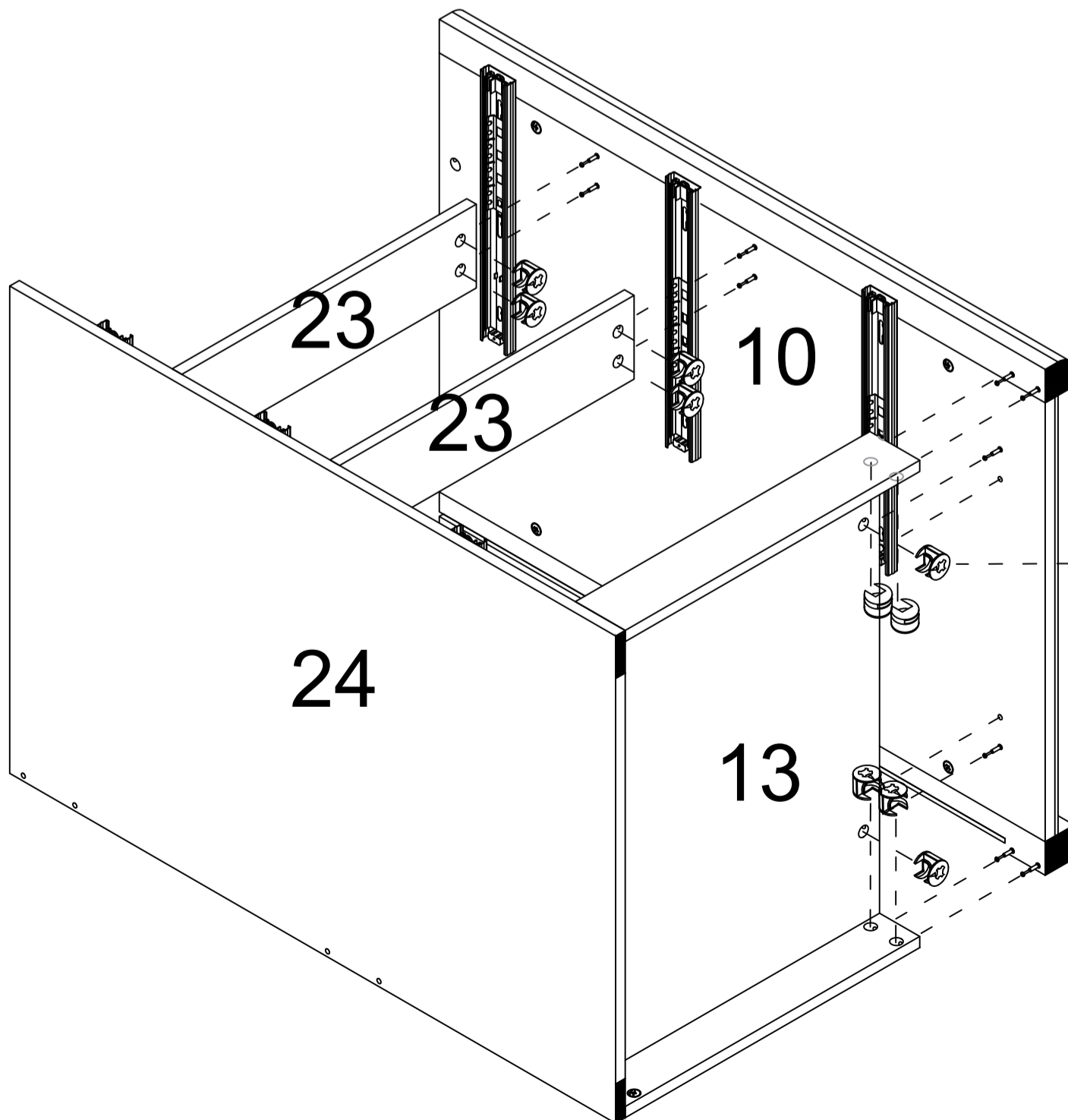


Step 45

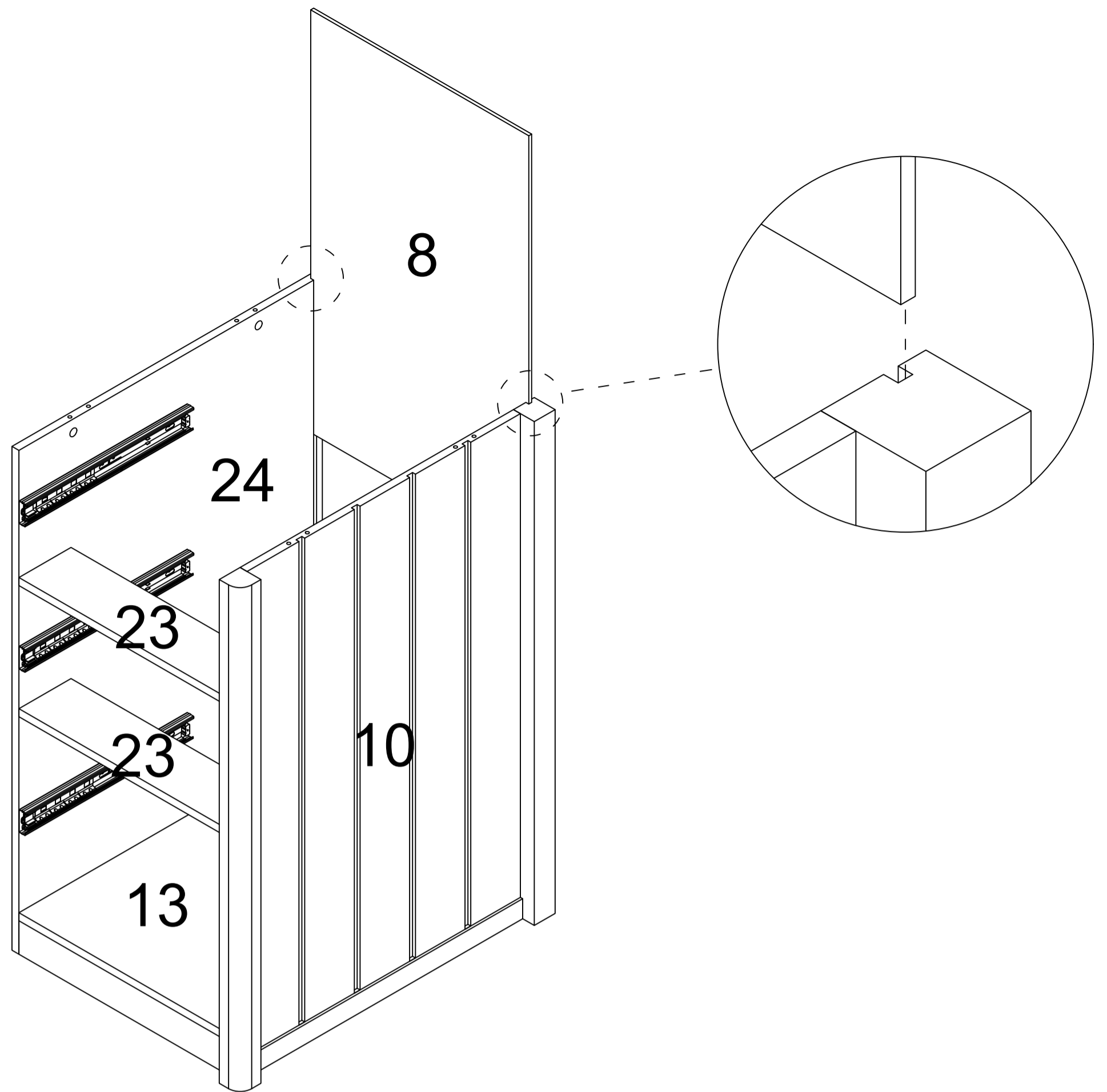
B



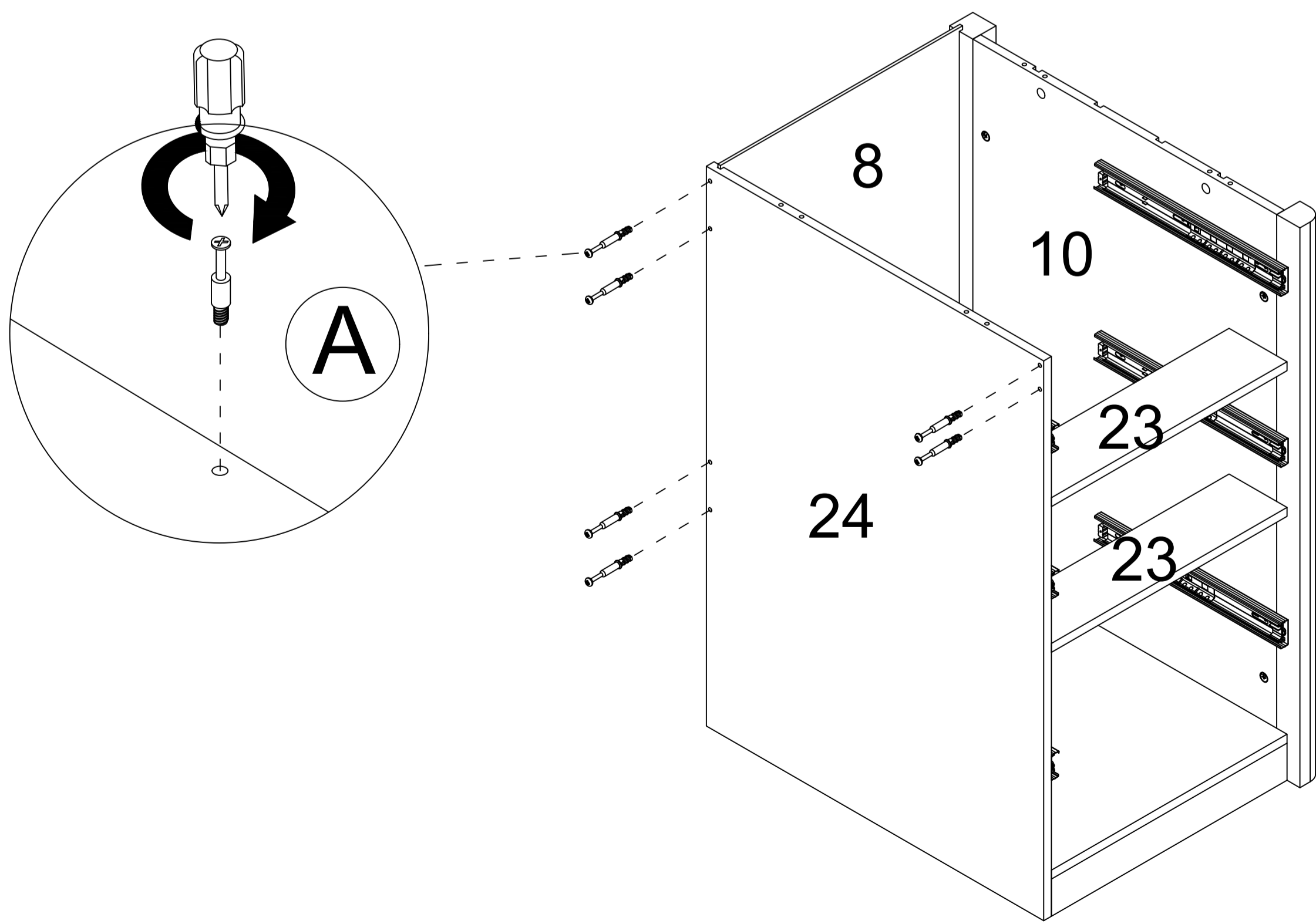
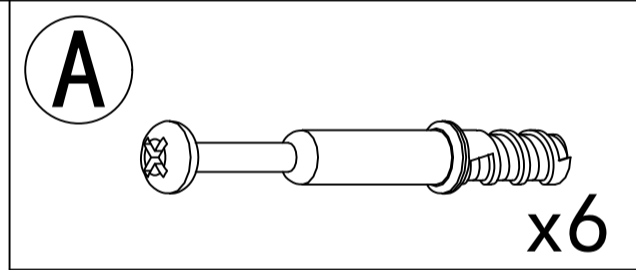
x10



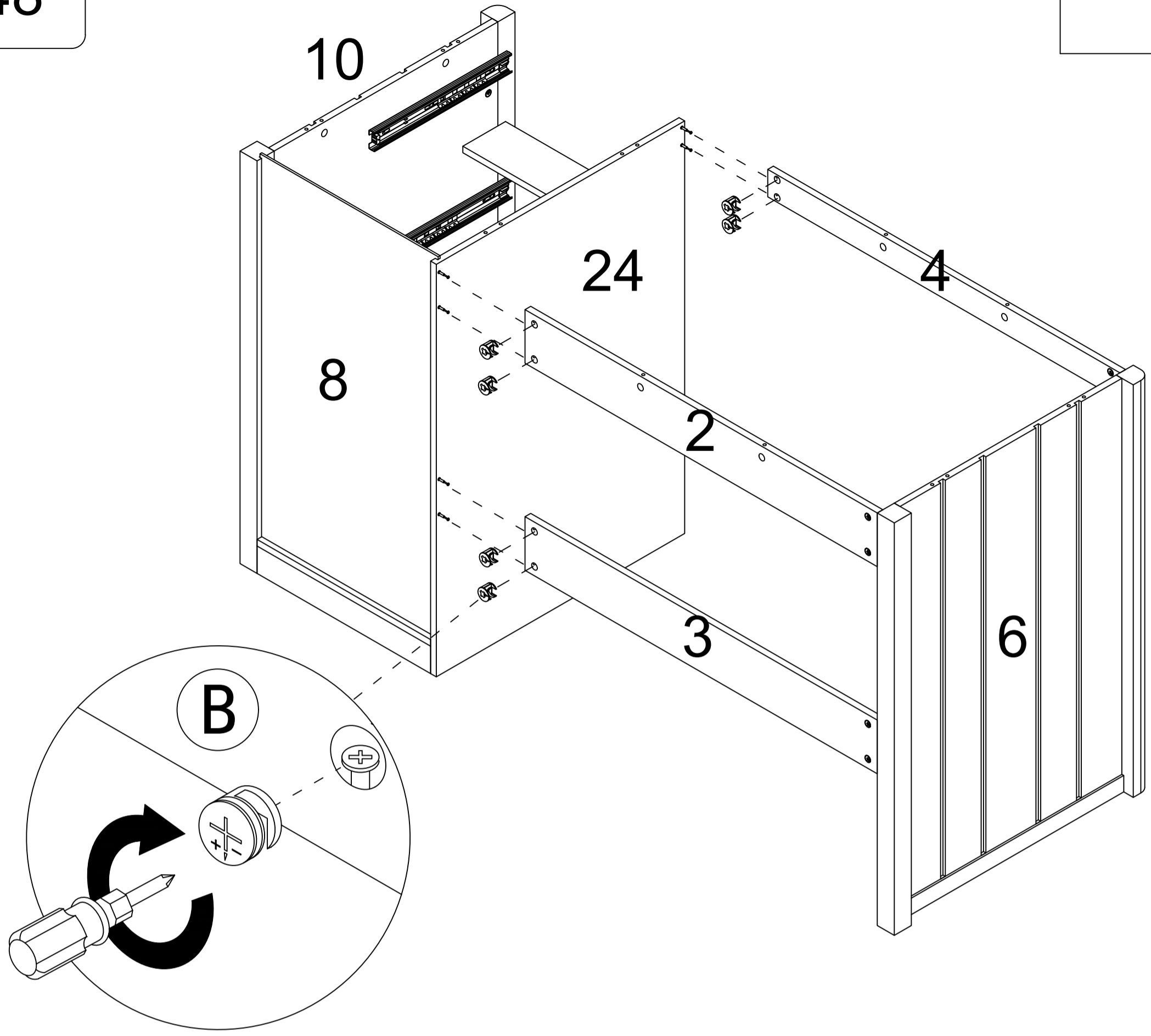
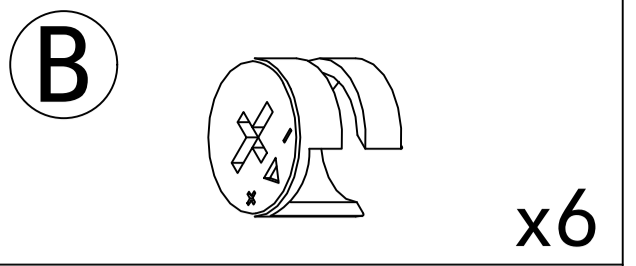
Step 46



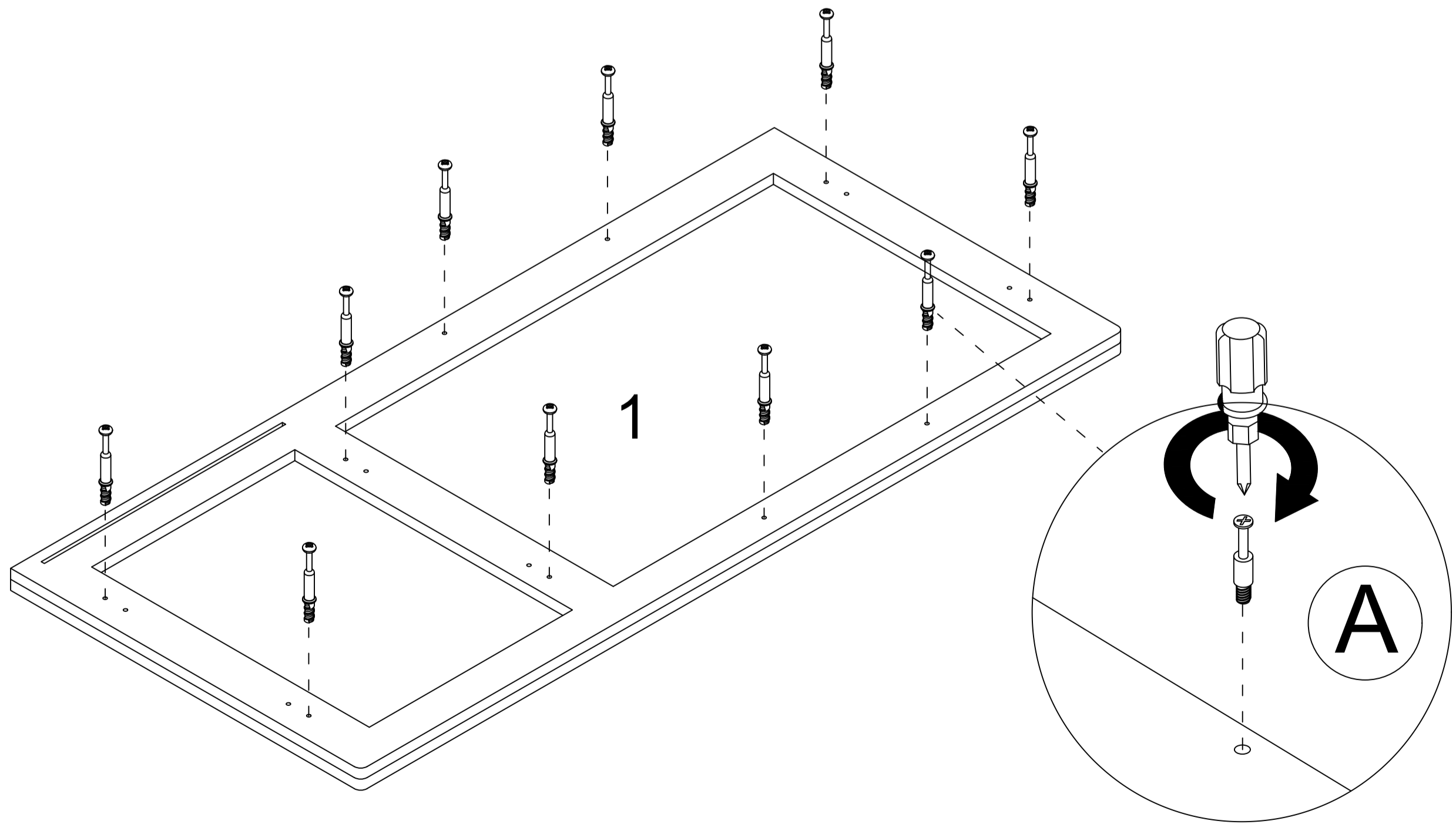
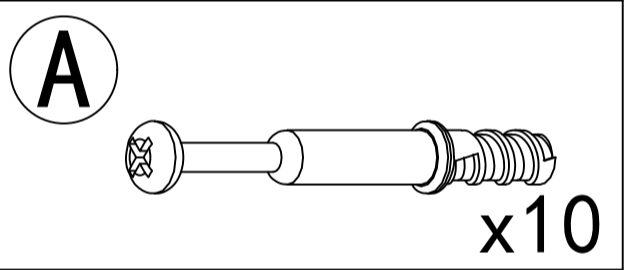
Step 47



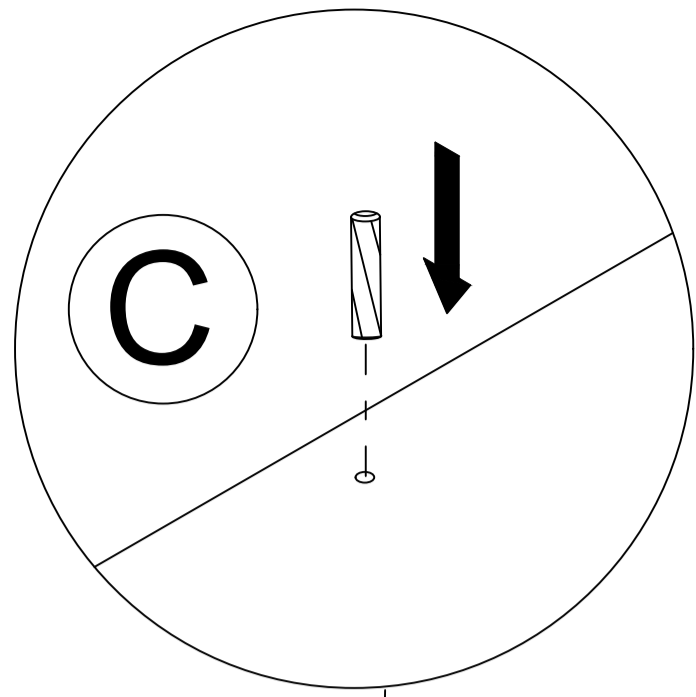
Step 48



Step 49



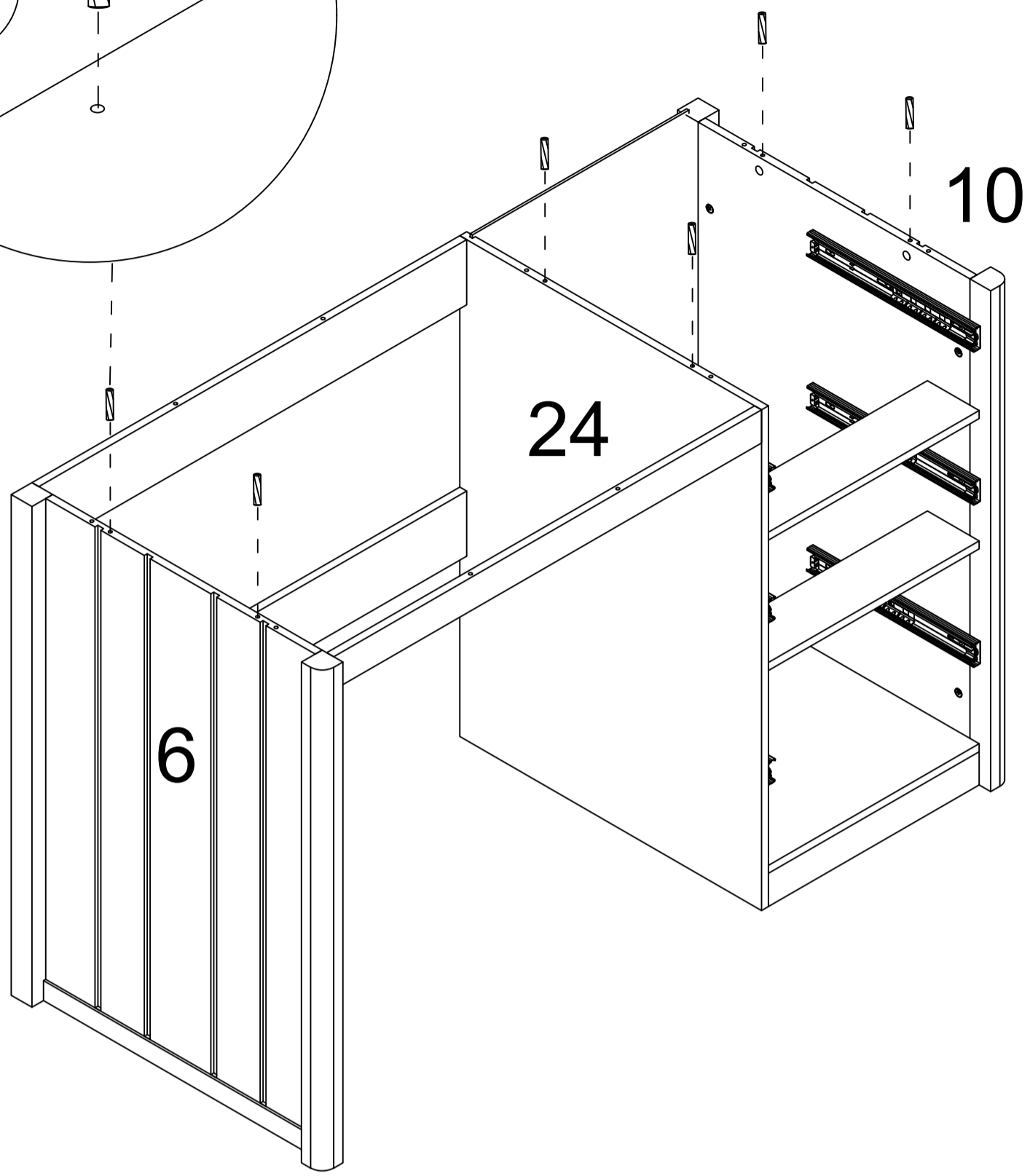
Step 50



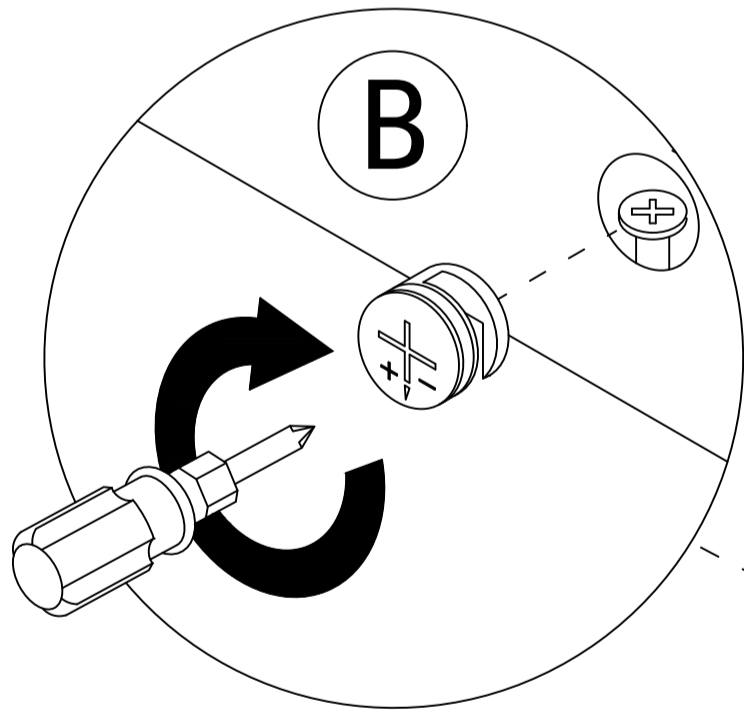
C



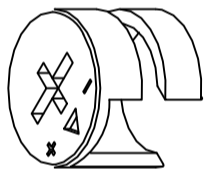
x6



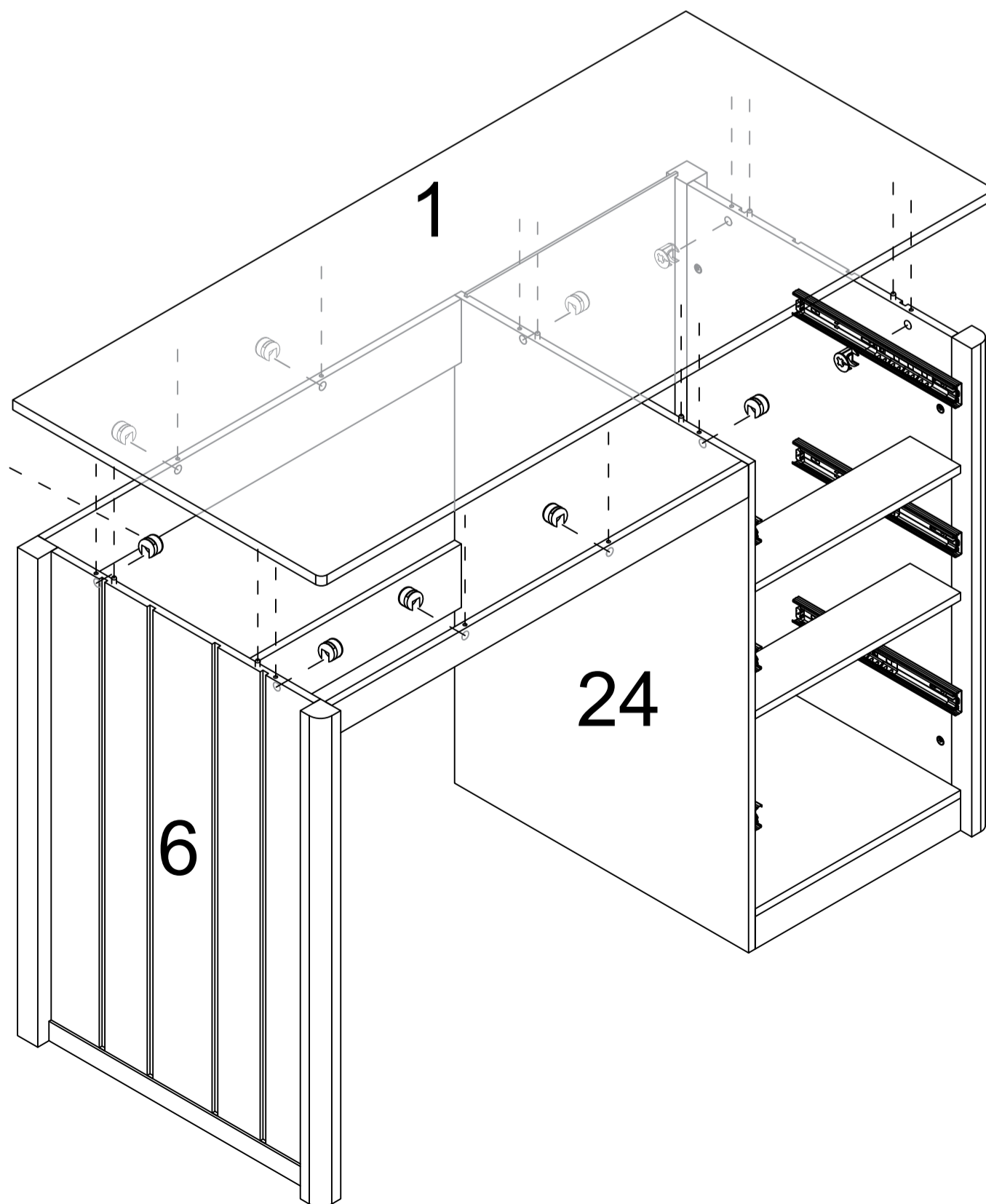
Step 51



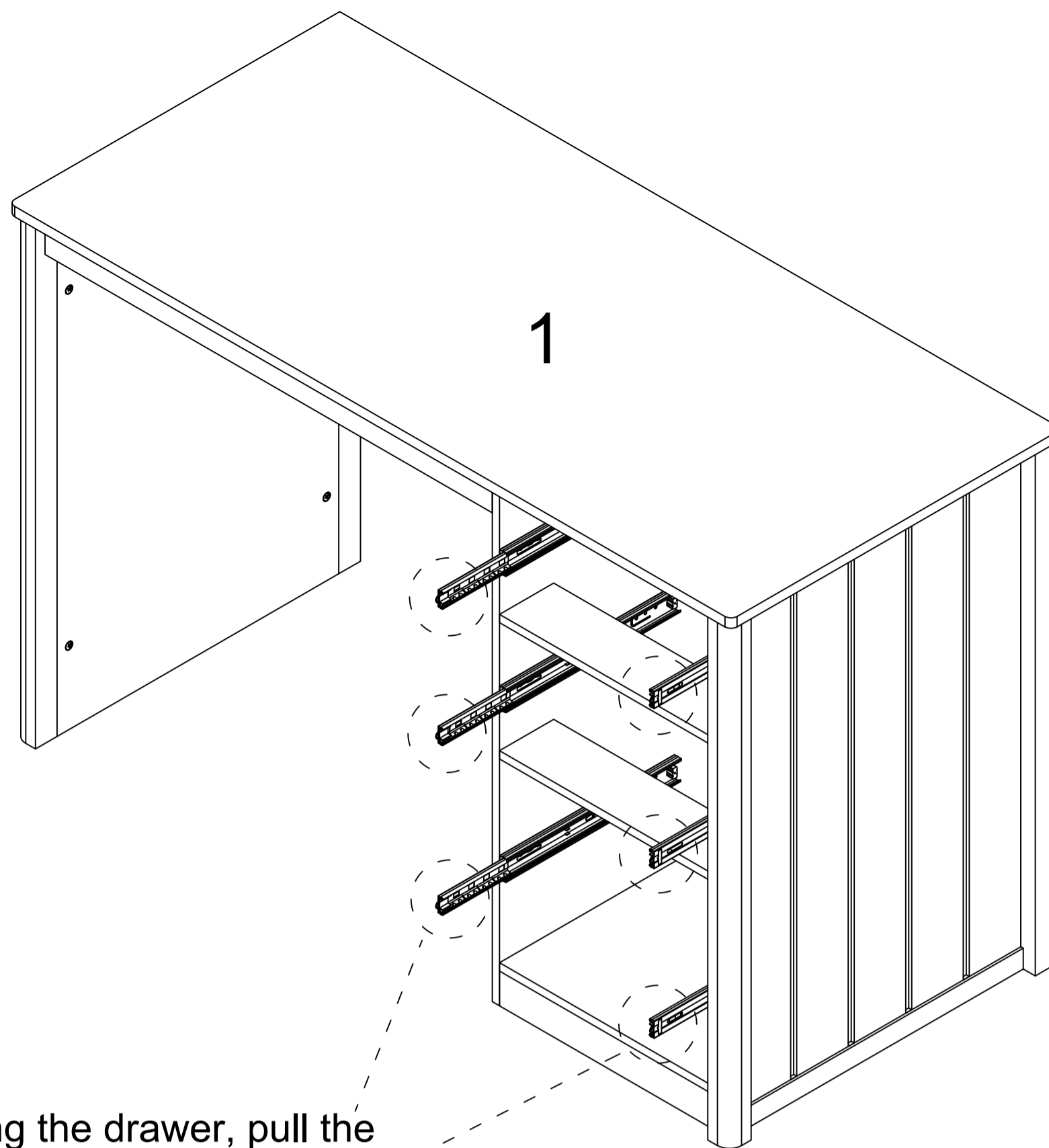
B



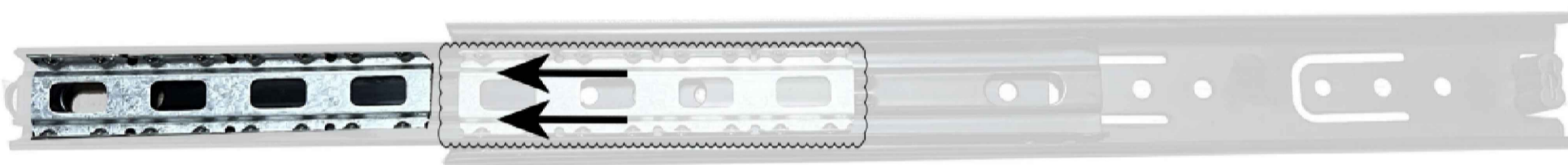
x10



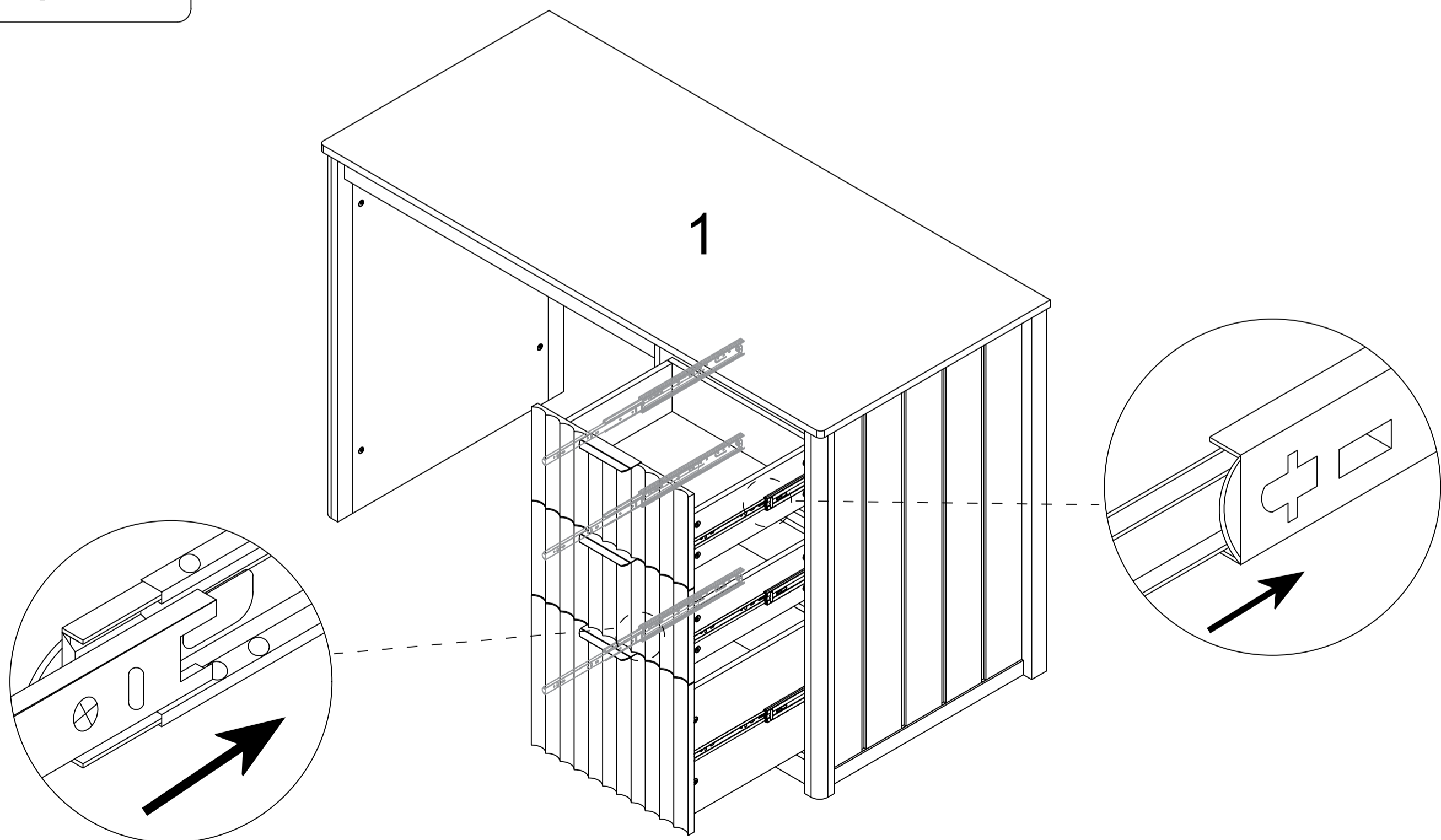
Step 52



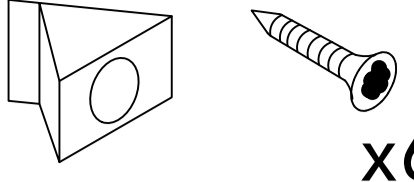
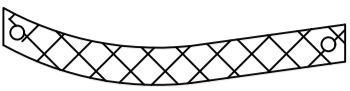
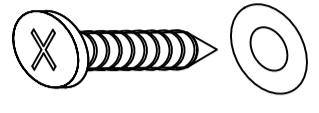
As shown, When installing the drawer, pull the guide rail out first, Slide beads are also pulled out.

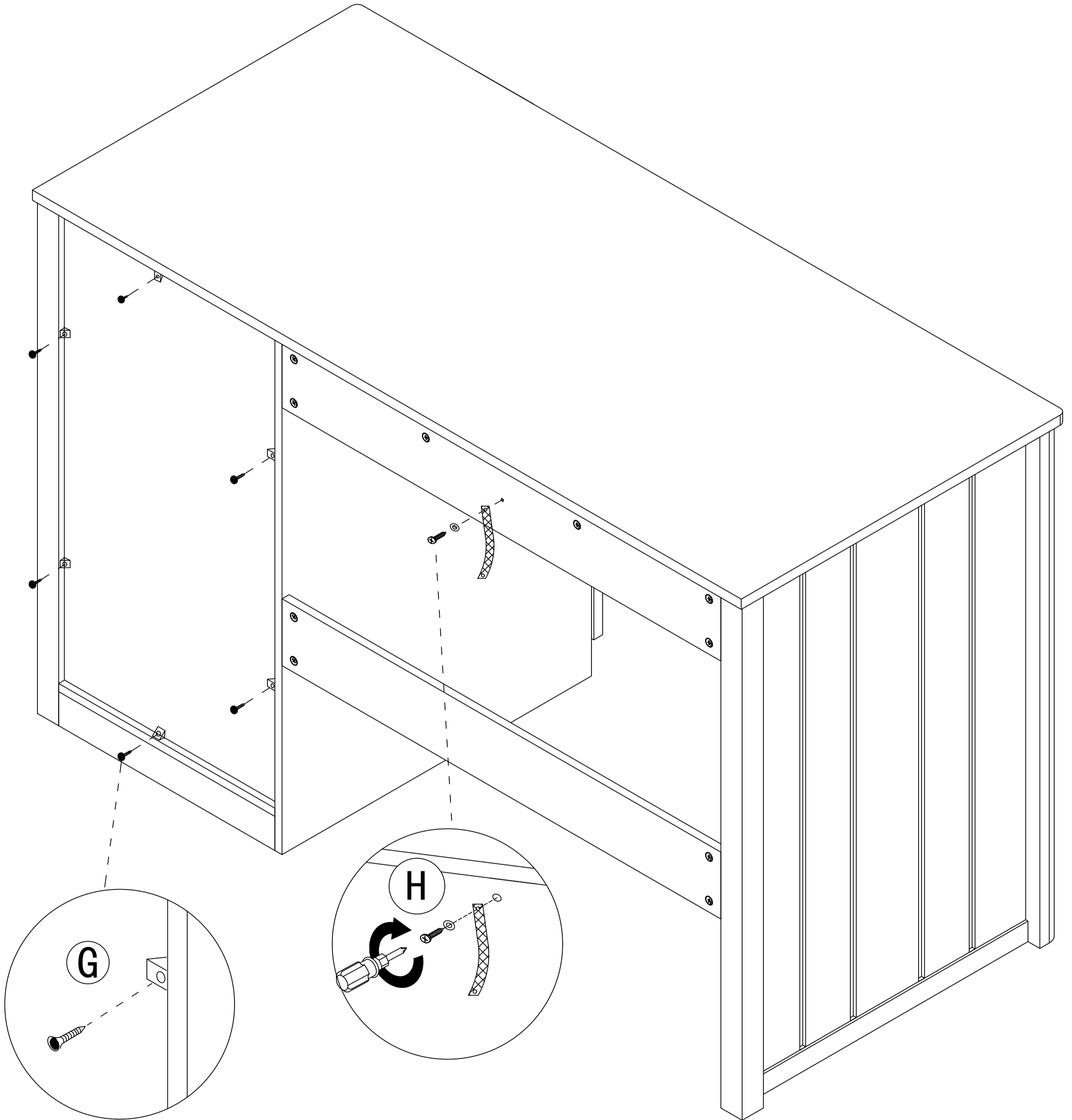


Step 53



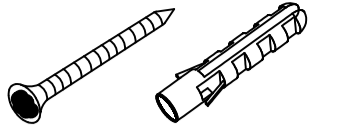
Step 54

- G**  x6
- H**  x1
-  x1



Step 55

H



x1

