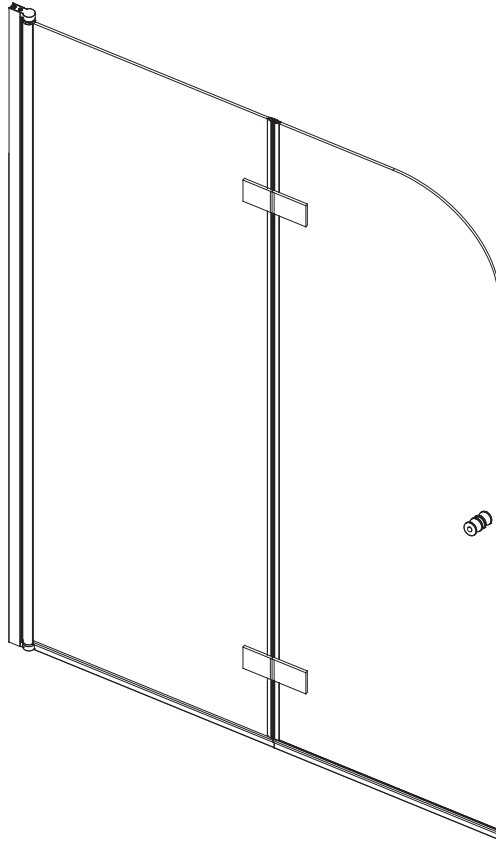


INSTALLATION INSTRUCTIONS

FOR SHOWER DOOR AND BATHTUB DOOR



CF3555-CH/BN/MB

CH -chrome

BN -Brushed Nickel

MB -Matte Black

SG -Satin Gold

**THANK YOU FOR PURCHASING OUR PRODUCTS.
FOR IMMEDIATE HELP WITH ASSEMBLY OR
PRODUCT INFORMATION EMAIL US:**



ServiceSoutien@outlook.com

Please offer your order ID and the product model number

Our staff is ready to provide assistance M-F 8:00 AM to 5:00 PM PST

SCAN HERE

TO VIEW OUR
INSTALLATION VIDEO



◆ General Information

Inspect the product immediately upon receipt for transit damage, missing packs/parts or manufacturing fault. Damage reported later will not be accepted. Handle the product with care avoiding knocks and shock loading to all sides and edges of the glass.

◆ Notes: Safety glass can not be re-worked

Read these instructions carefully before start of installation.

Special care should be taken when drilling walls to avoid hidden pipes or electrical cables.

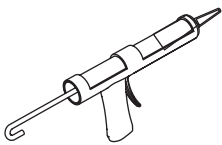
Note: This product is heavy and may require two people to install.

◆ Aftercare instructions

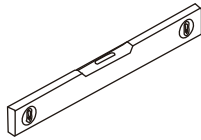
After use, your shower should be cleaned with soap and water. This is particularly important in hard water districts where insoluble lime salts maybe deposited and allowed to build up. Cleaners of a gritty or abrasive nature should not be used. Care should be taken to avoid contact with strong chemicals, they can be used but with caution, if in doubt contact the manufacturer of the cleaner in question.

Keep these instructions for aftercare and customer service details.

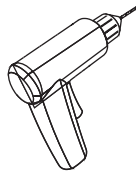
Tools Required



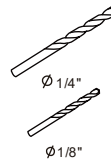
Silicone



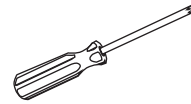
Level



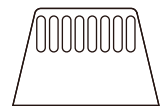
Drill



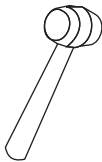
Drill Bit



Screwdriver
(Phillips)



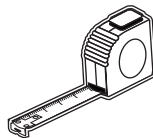
Sealant
Finishing Tool



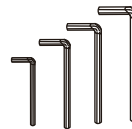
Mallet



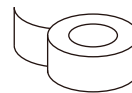
Pencil



Tape Measurer



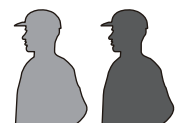
Allen Wrenches



Painters
Tape

Tips: Measure the finished opening before proceeding with the installation to be sure that the correct model size has been ordered.

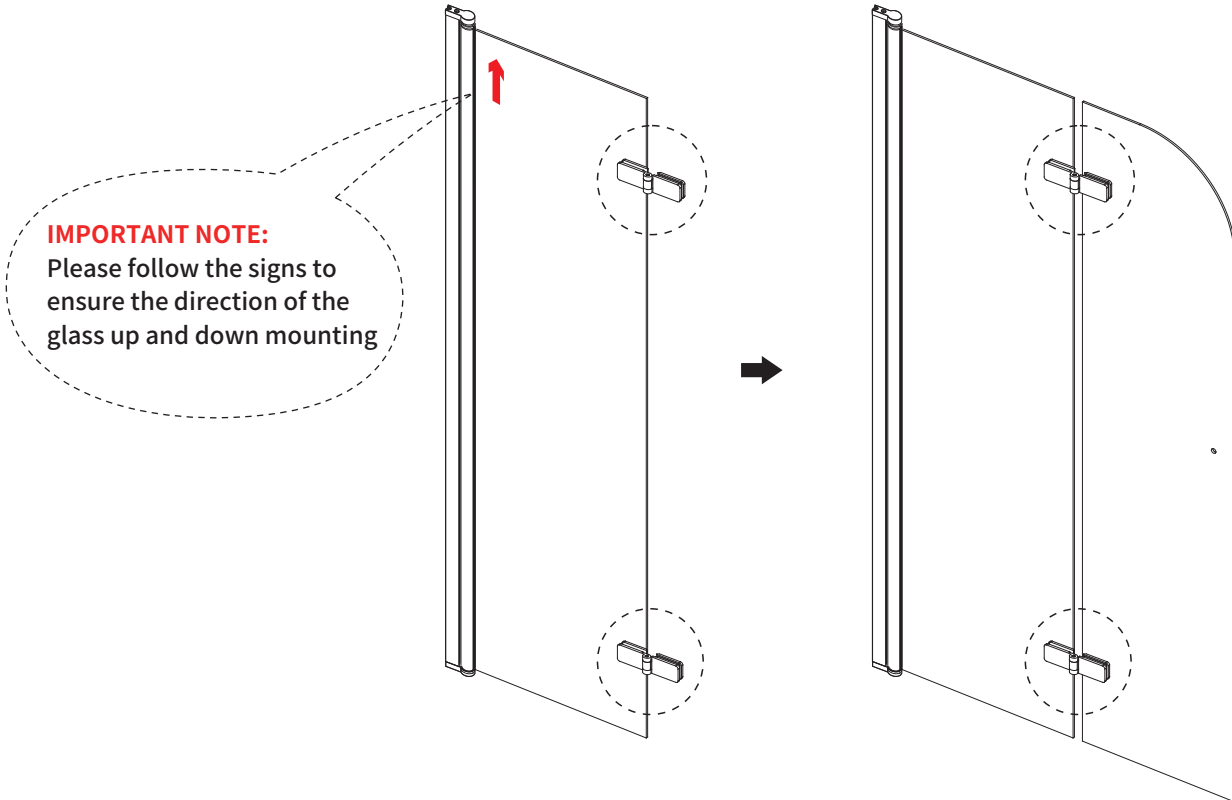
Note: These instructions will show the installation of the shower door. Please follow the same steps for the installation of the tub door.



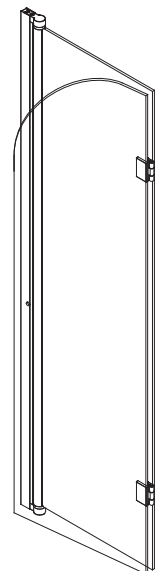
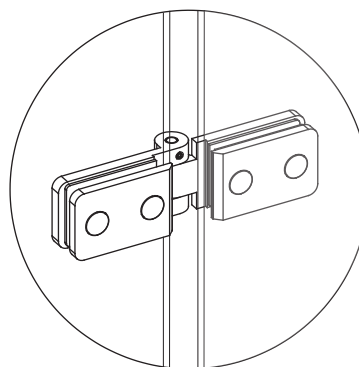
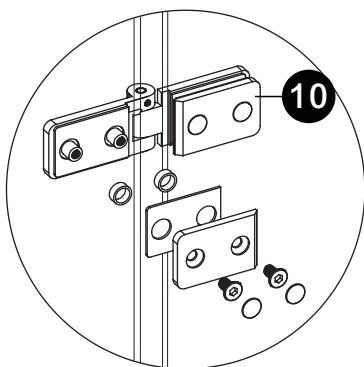
INSTALLATION STEPS

STEP 1-Glass 1(#6)-to-Glass 2 (#7) Hinge Assembly(#10) Installation

Secure the Door Glass (Pivot Profile) (#6) and Round-corner Folding Panel (#7) with the Hinge Assembly (#10) before install it into the Wall Jamb (#2).



View from inside. **NOTE:** Ensure the hinges are installed in the correct direction before proceeding to the next step.



1. Make sure the **Hinge Assemblies (#10)** are square and flatly installed on the glass.

2. Repeat 1-2 steps on the other side. Ensure the orientation of both **Hinge Assemblies (#10)** are the same.

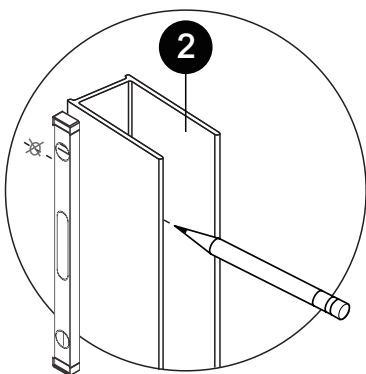
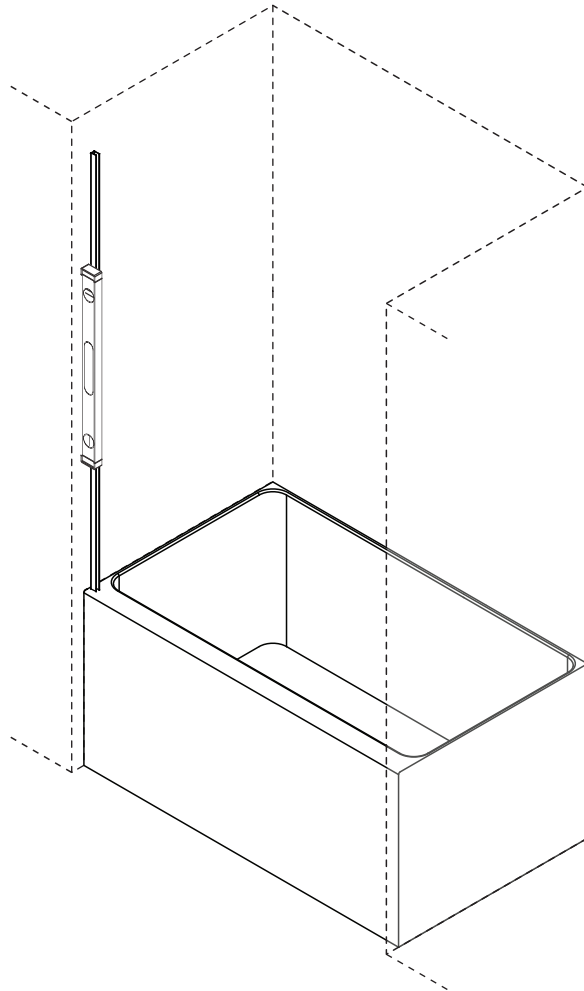
NOTE: To prevent glass-to-metal contact, confirm the vinyl gaskets are present between the Hinge Assemblies and the Door Glass.

2. Fold the three panes of glass to make sure the hinges are mounted in the correct direction before proceeding to the next step.

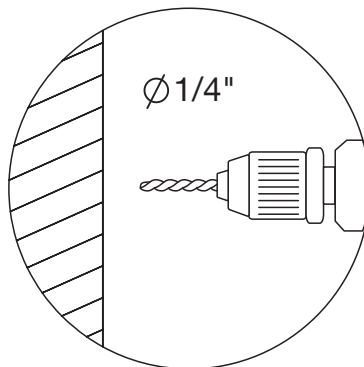
INSTALLATION STEPS

STEP 2-Install Wall Jamb(#2)

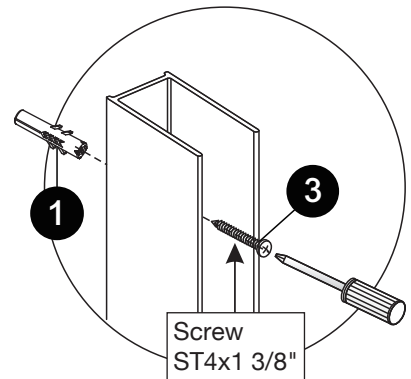
NOTE: Check the walls and threshold for plumb and level. This model allows for up to 1/2" of out-of-plumb adjustment per wall. The threshold must be level for correct installation.



1. Confirm the **Wall Jamb (#2)** is plumb with a level before marking the location of the holes for drilling.



2. Use Ø1/4" drill bit for drilling needed holes.

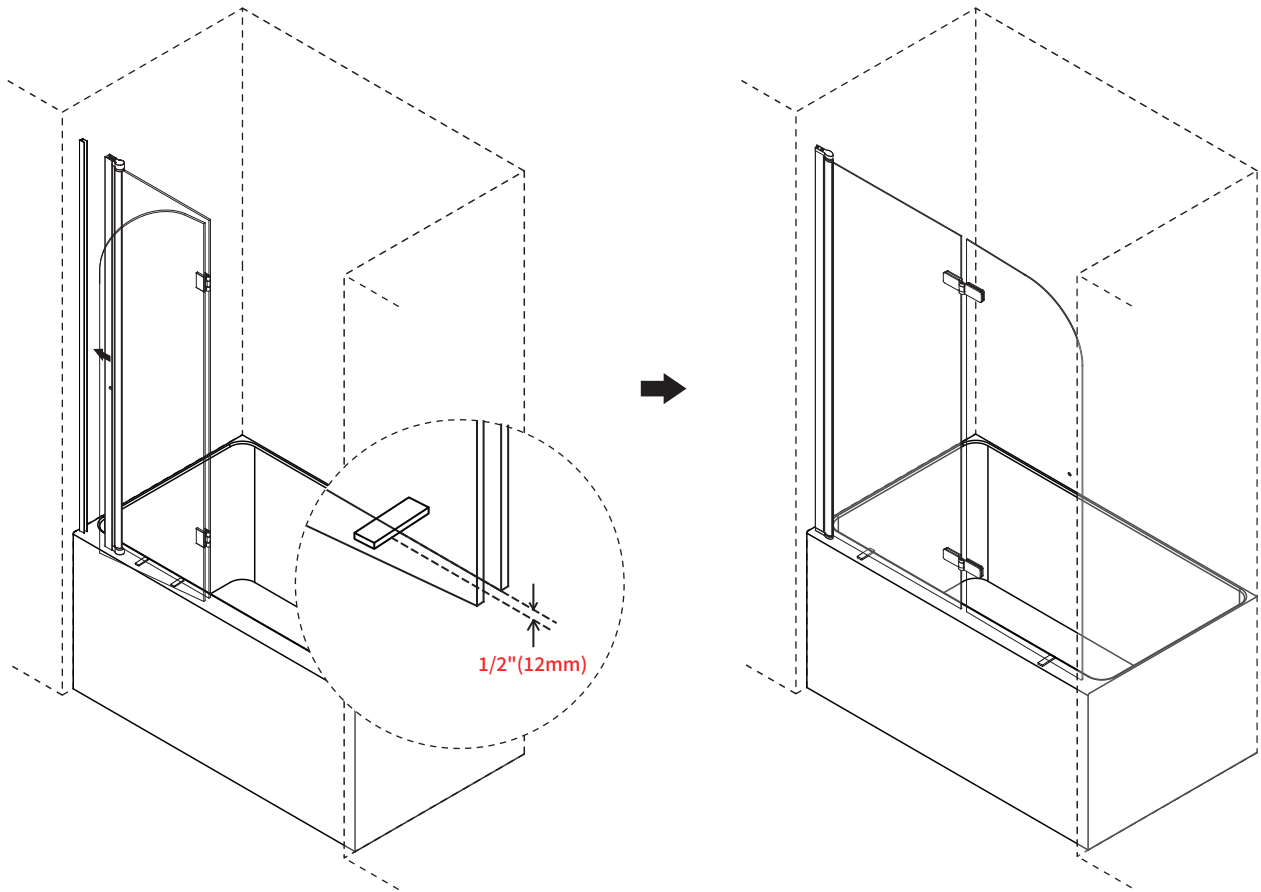


3. Mounting the wall jamb with the **wall plug (#1)** and **screw ST4x1 3/8" (#3)**.

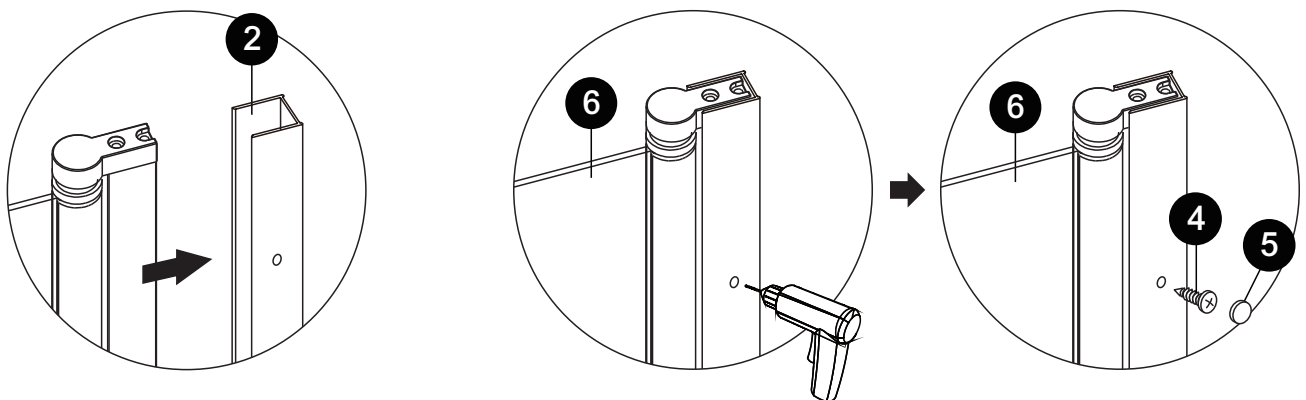
INSTALLATION STEPS

STEP 3-Install Door Part to the Wall Jamb

NOTE: The weight of the glass is up to 45kg, two installers are recommended for this step.



1. **IMPORTANT NOTE:** Place 1/2" (12mm) thick wood or plastic shims onto the threshold to provide proper spacing beneath the door glass.



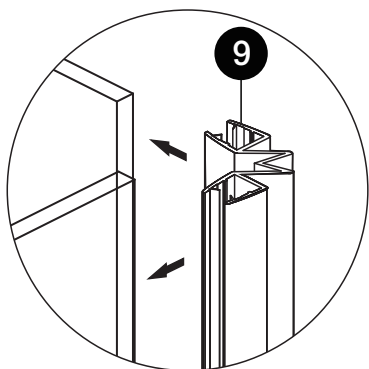
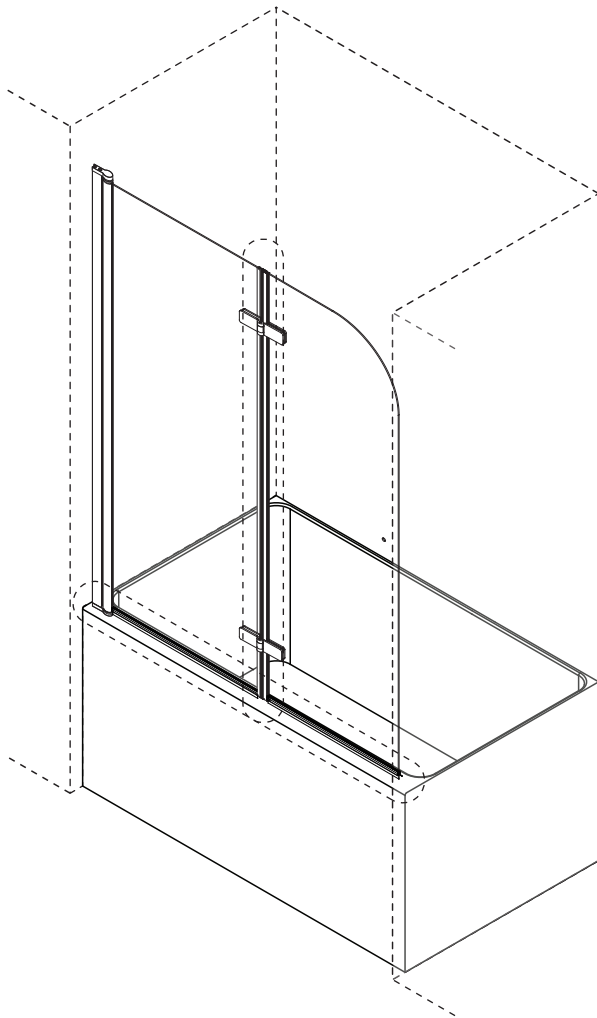
2. **IMPORTANT NOTE:** Make any final adjustments to the door to make sure that it is level and plumb in the opening before secure the door part.

3. After final adjustments, drill $\text{Ø}1/8''$ holes through the pre-drilled holes located in the **Wall Jamb (#2)**. Secure that with **Screw ST4x5/16'' (#4)** and cover the **Caps(#5)**.

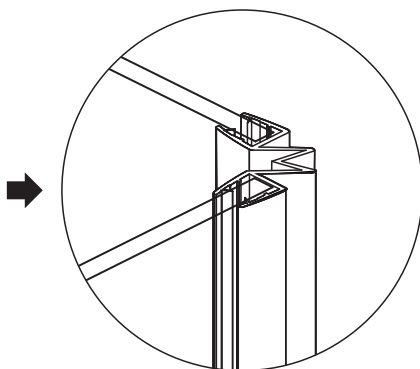
INSTALLATION STEPS

STEP 4-Vinyl Seals Installation

NOTE: The Vinyl Seals needs to be cut to fit your door.



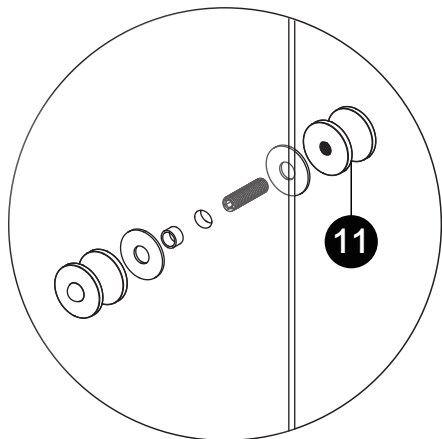
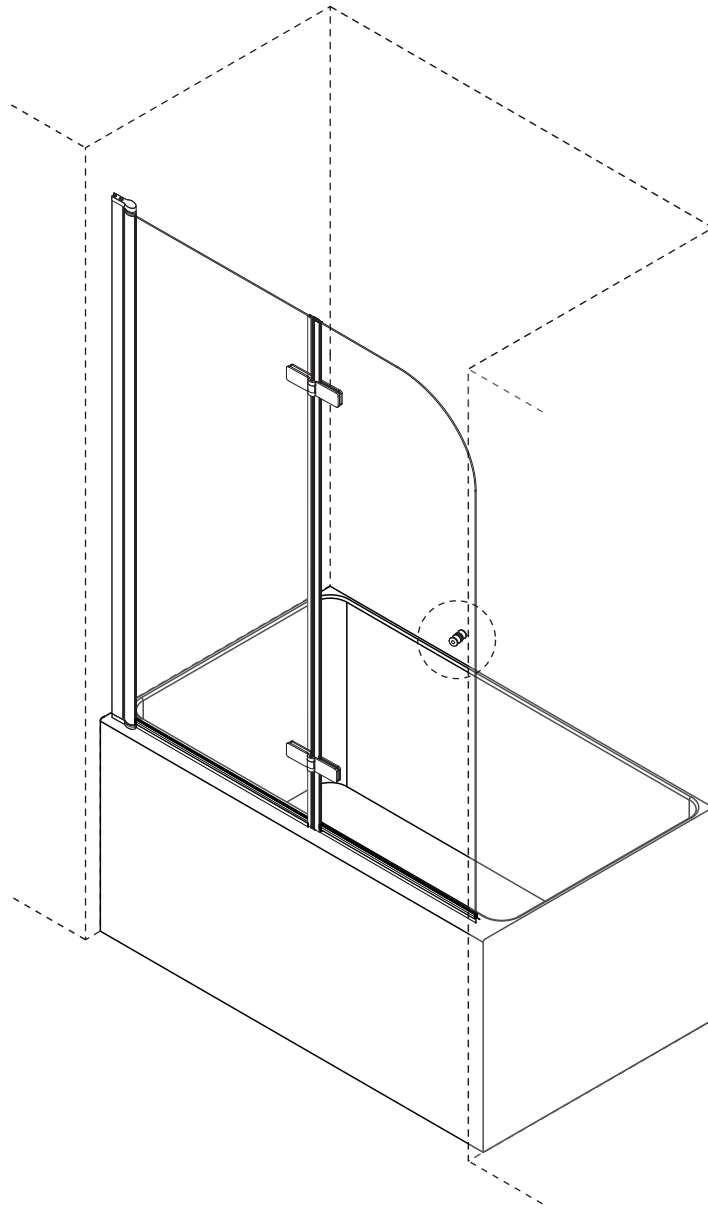
1. Attach the **Vertical Vinyl Seal (#9)** to the inside edge of the 2 Door Glass Panes.



2. Attach the **Bottom Vinyl Seal (#8)** onto the bottom edge of the 3 Door Glass Panes.

INSTALLATION STEPS

STEP 5-Knob Handle Installation



1. Install the **Knob Handle (#11)** through the pre-drilled holes on the **Door Glass (#7)**. Be sure to use all of the included gaskets and sleeves to prevent glass-to-metal contact.

INSTALLATION STEPS

Allow 24 hours for the silicone to cure, before using the shower.

Apply clear silicone caulking along the wall and threshold of the shower door inside and outside.

(make sure you) wait 24hours before using the shower. Do not allow water to directly hit door.



24 HOURS

