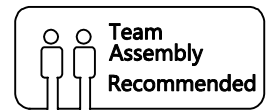
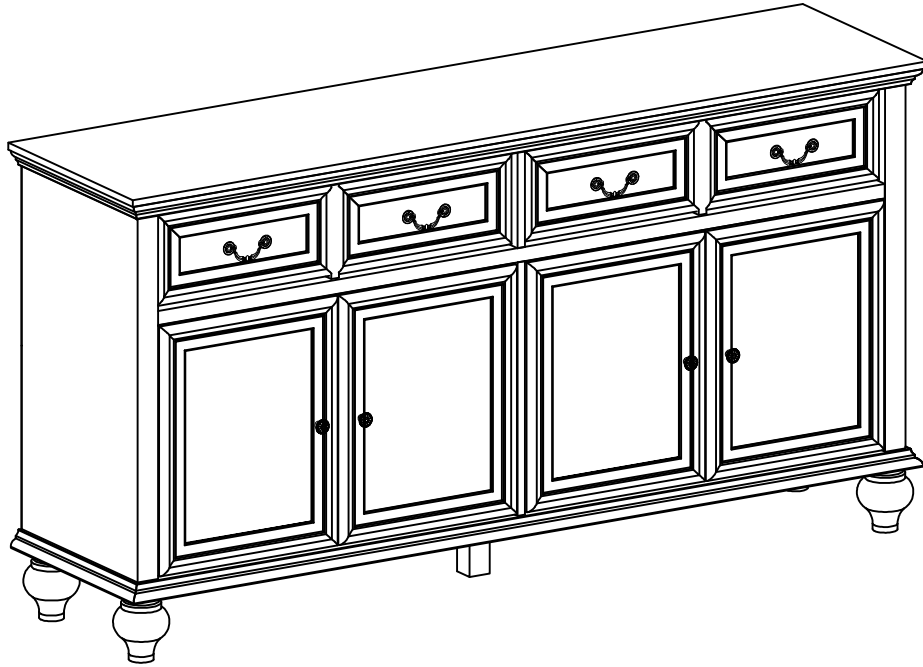


# 4door, 4drawer cabinet Installation Manual



## Trouble shooting:

Missing / Wrong / Broken parts and installation issues



Respond within 24 hours



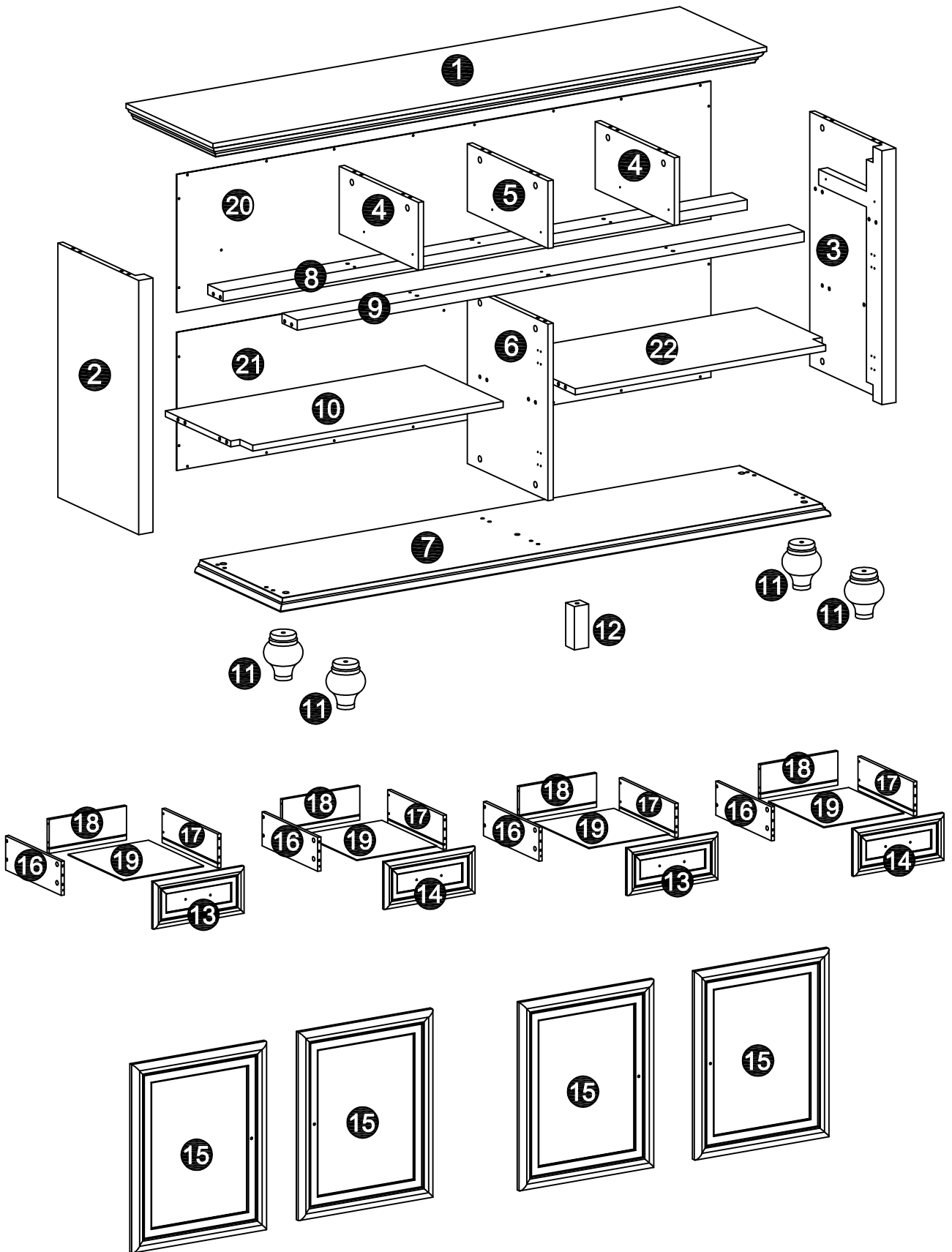
Issue resolved

## WARRANTY INFORMATION

- Do not expose the surfaces to direct sunlight or to extreme environmental conditions.
- Clean the surfaces preferable with a clean damp cloth, then dry with a clean towel.
- Do not use solvents or abrasive materials to clean the unit. If you decide to use a cleaning agent, test first on an area hidden from view.
- Replacement parts might be available to you at no charge, with an original proof of purchase and where a defect has arisen, wholly or substantially, as a result of faulty manufacturing, parts or workmanship during the Warranty Period.
- The warranty does not extend to regular wear and tear, nor the manufacturer assumes liability for damages or consequences due to accidents, incorrect assembly, negligence, improper use, modifications, or not heeding the above warnings.

Thank you so much for your support! We hope you enjoy your purchase. If there is any damage or missing accessories, please feel free to contact us for free replacement or refund.

Thank you !



Note: Don't tighten all screws during installation.

Components (A) ▲



1 x1



2 x1



3 x1



4 x2



5 x1



6 x1



7 x1



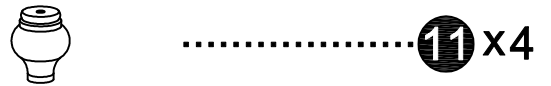
8 x1



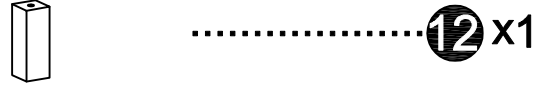
9 x1



10 x1



11 x4



12 x1



13 x2



14 x2



15 x4



16 x4



17 x4



18 x4



19 x4




20 x1

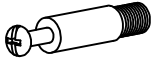






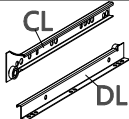
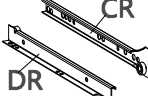



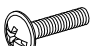
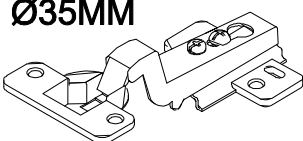





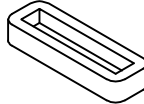

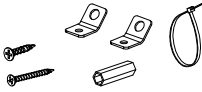
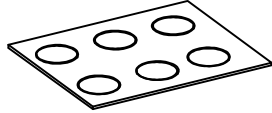
21 x1



22 x1

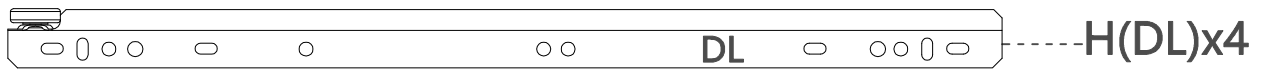
**Screws & Tools** 

<b>A</b>			x50+2
<b>B</b>		Ø15 x 9mm	x50+2
<b>C</b>		Ø8 x 30mm	x32+1
<b>D</b>		Ø6 x 30mm	x8+1
<b>E</b>		Ø3.5 x 35mm	x16+1
<b>F</b>		Ø3 x 12mm	x48+2
<b>G</b>		Ø3 x 14mm	x30+2
<b>H</b>		14"	x4
		14"	x4
<b>I</b>			x4
<b>J</b>		96mm	x4
<b>K</b>		M4 x 8mm	x8+1
<b>L</b>		M4 x 16mm	x4
<b>M</b>		Ø35MM	x8
<b>N</b>		Ø3.5 x 14mm	x52+2

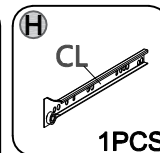
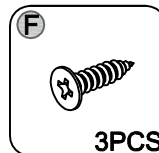
<b>O</b>		M6 x 40mm	x1
<b>P</b>		M8 x 45mm	x4
<b>Q</b>			x2
<b>R</b>		Ø4 x 60mm	x6+1
<b>S</b>			x2
<b>T</b>			x16+2

Check all the components & screws before assembly.  
Do not install in case part is missing, contact us to get.

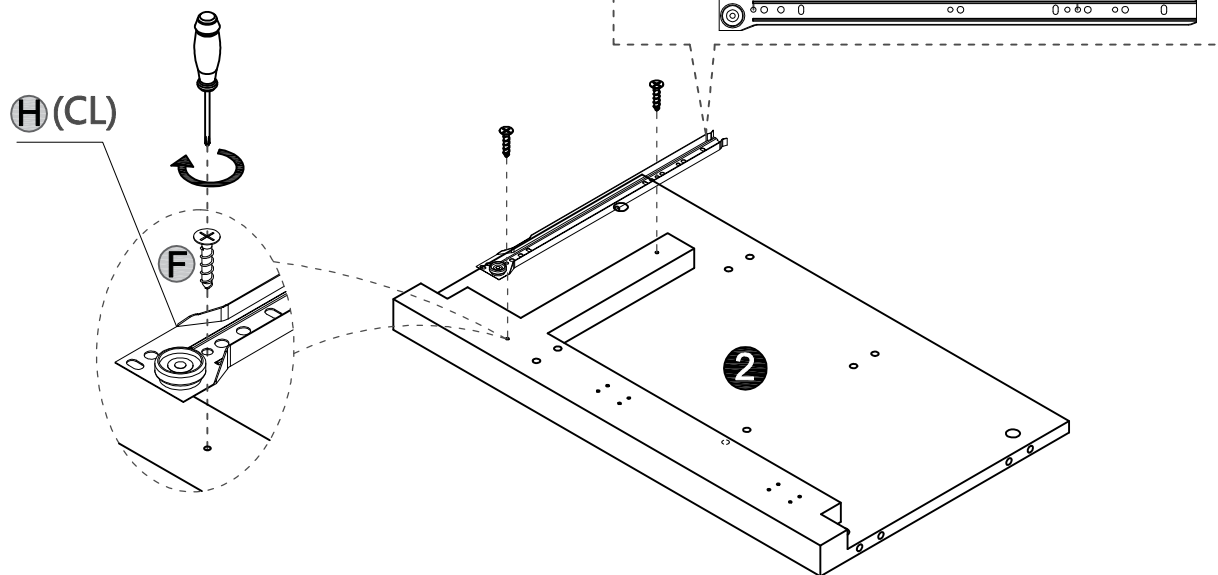
# HARDWARE LIST



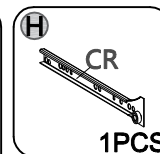
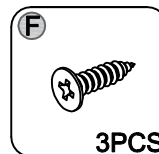
# Step 1



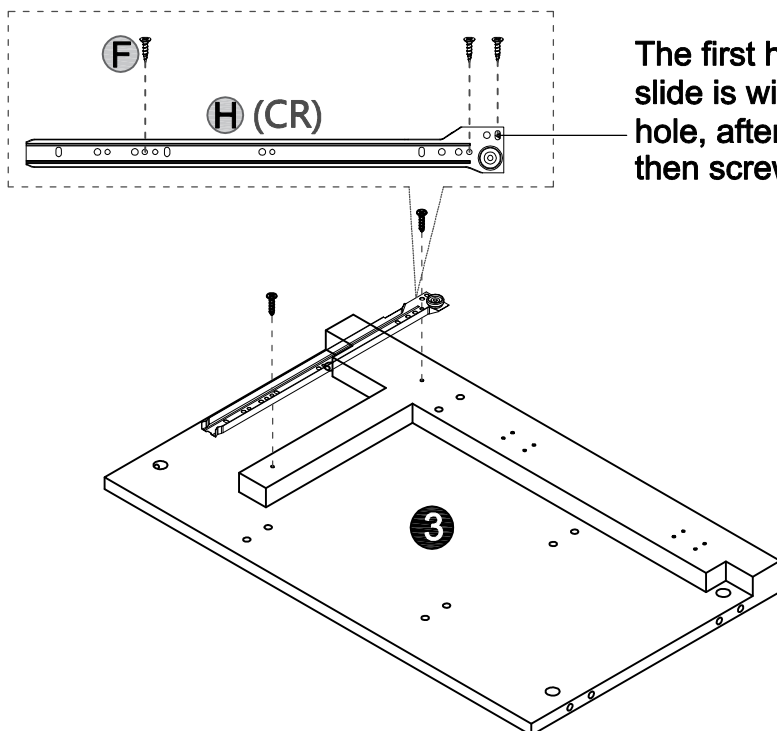
The first hole in the UPPER row holes of the slide is without the corresponding pre-drilled hole, after fix the position of the slide and then screw on.



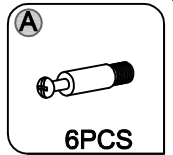
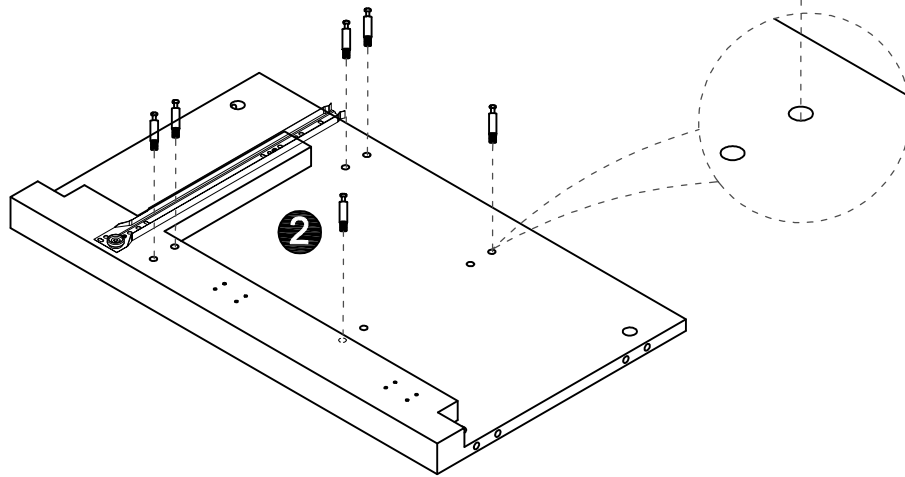
# Step 2



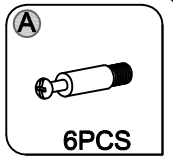
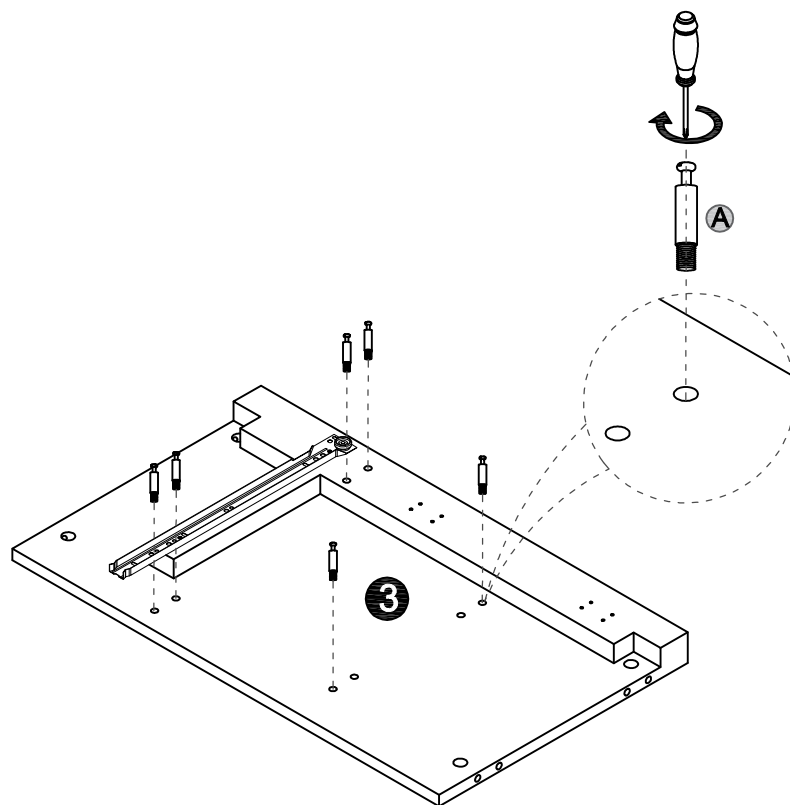
The first hole in the UPPER row holes of the slide is without the corresponding pre-drilled hole, after fix the position of the slide and then screw on.



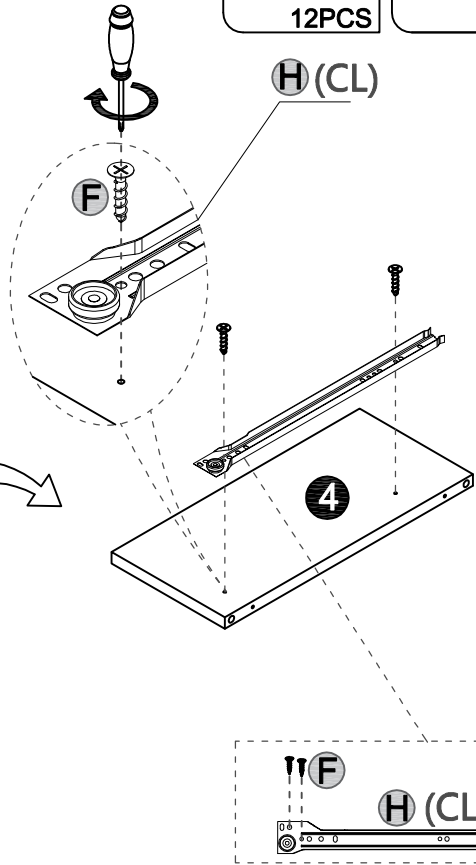
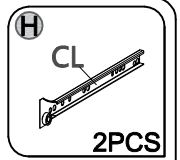
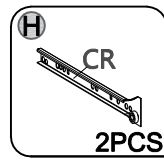
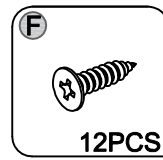
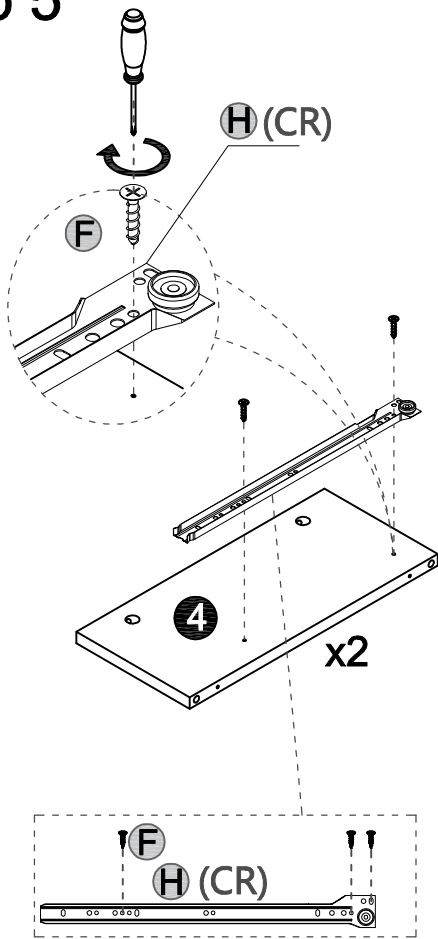
# Step 3



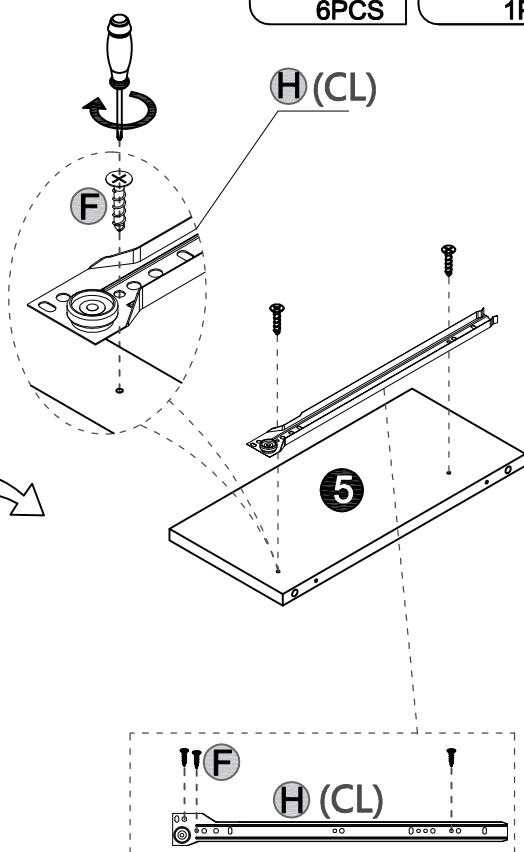
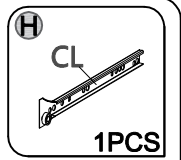
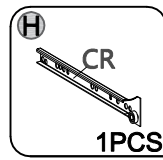
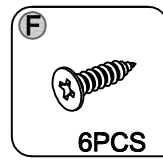
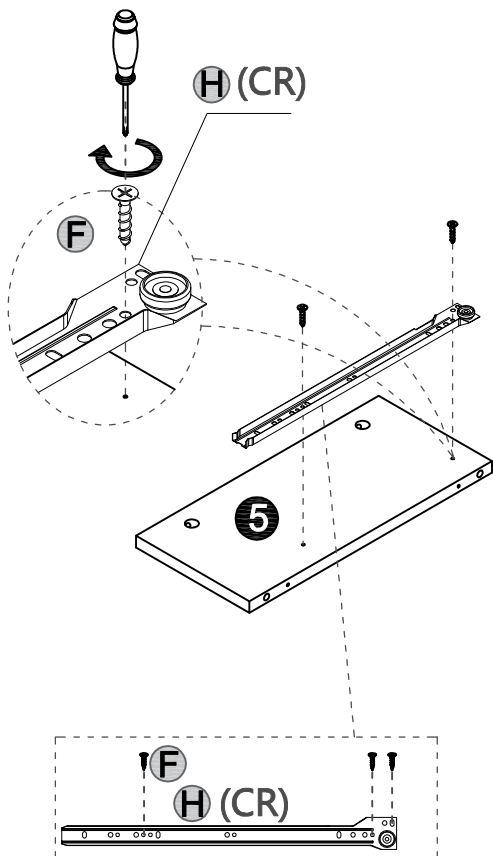
# Step 4



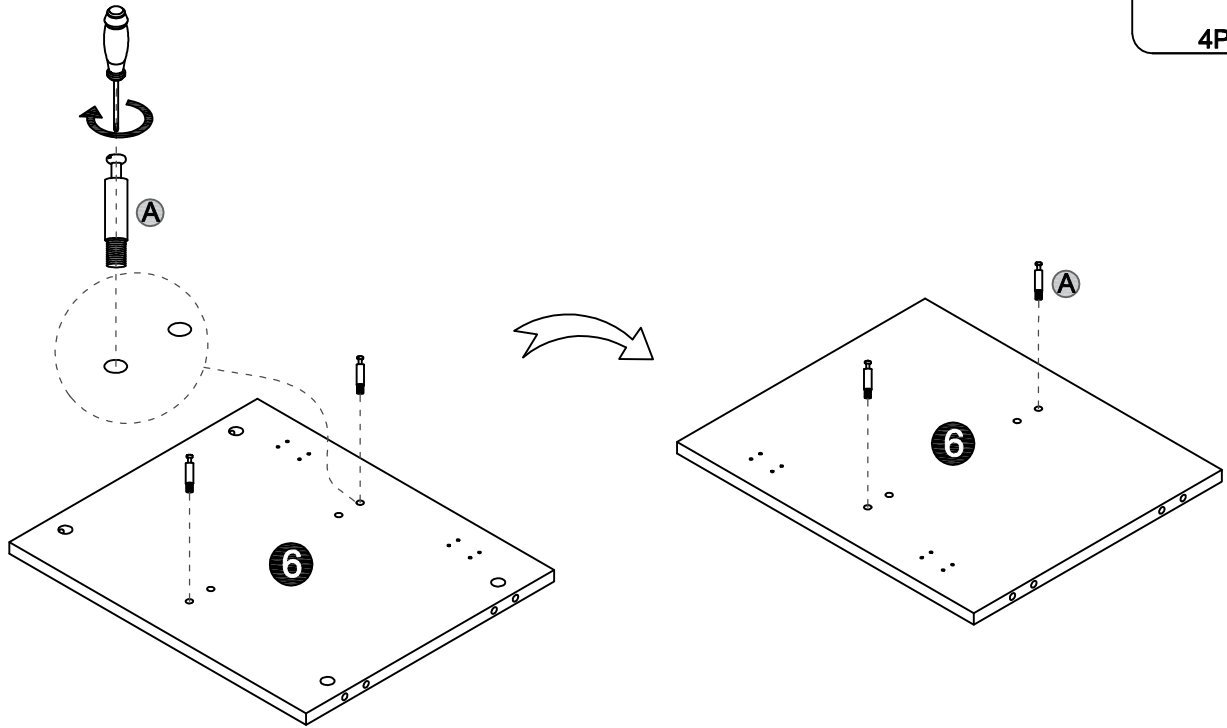
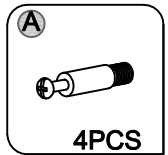
# Step 5



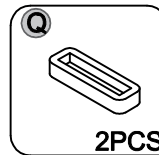
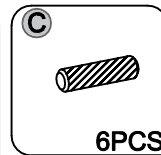
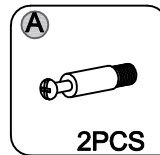
# Step 6



# Step 7

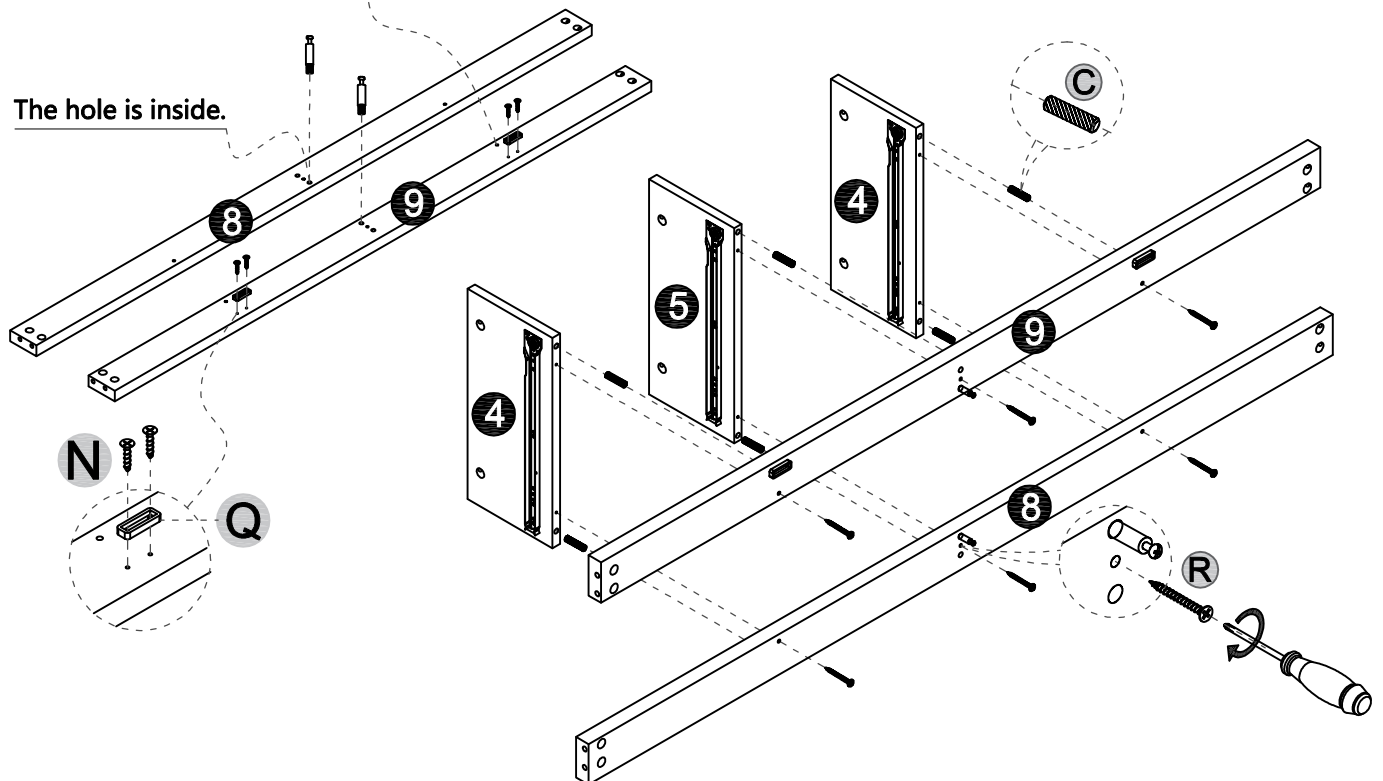


# Step 8

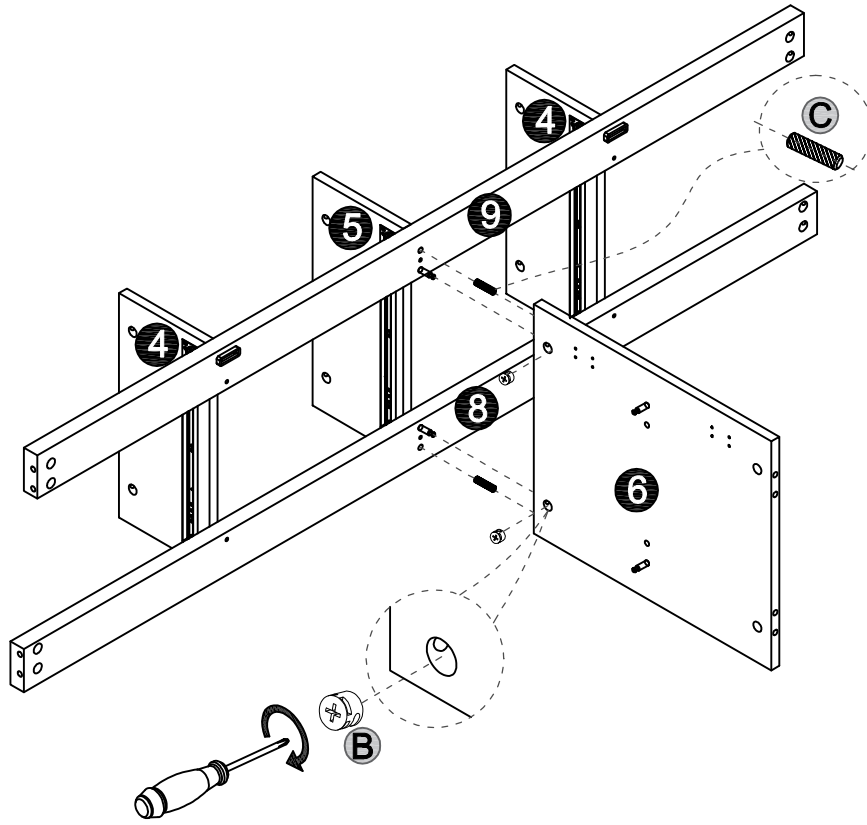
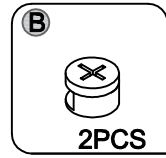


The hole is inside.

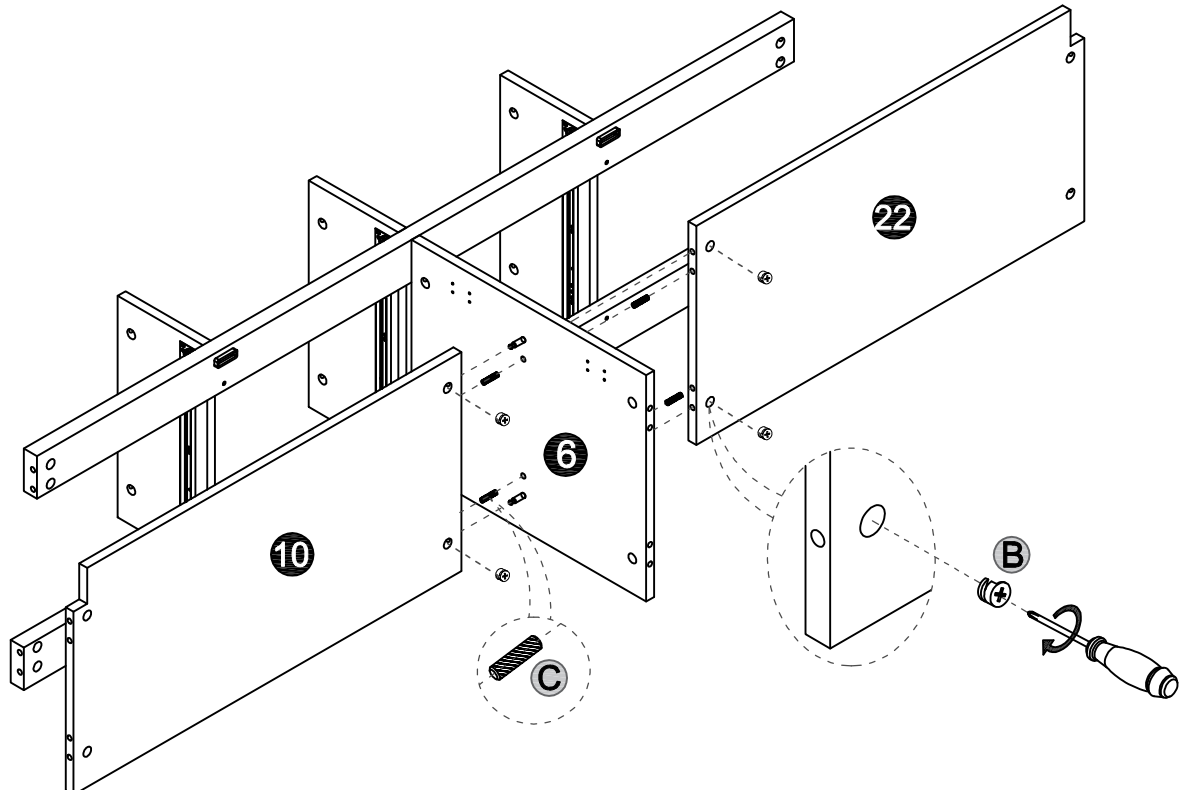
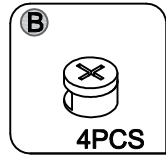
The hole is inside.



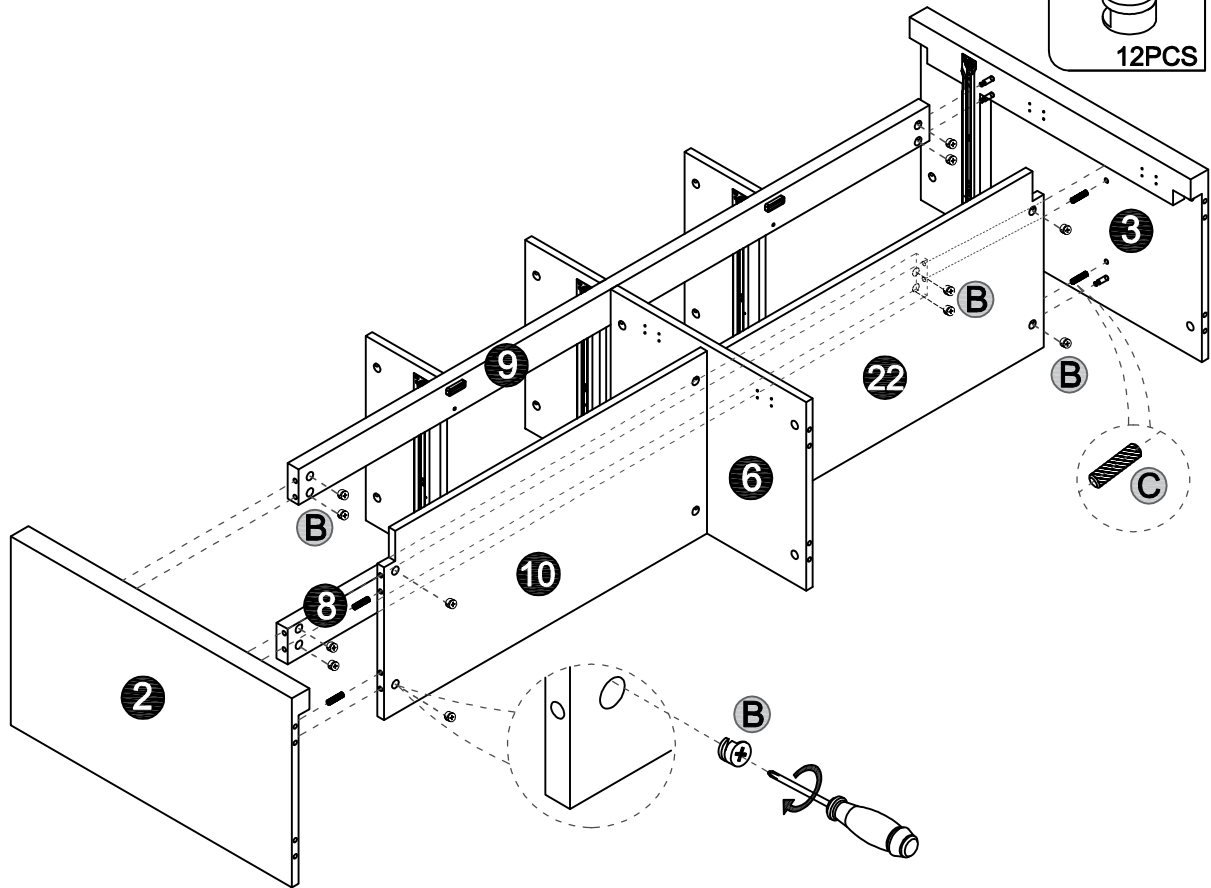
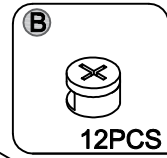
# Step 9



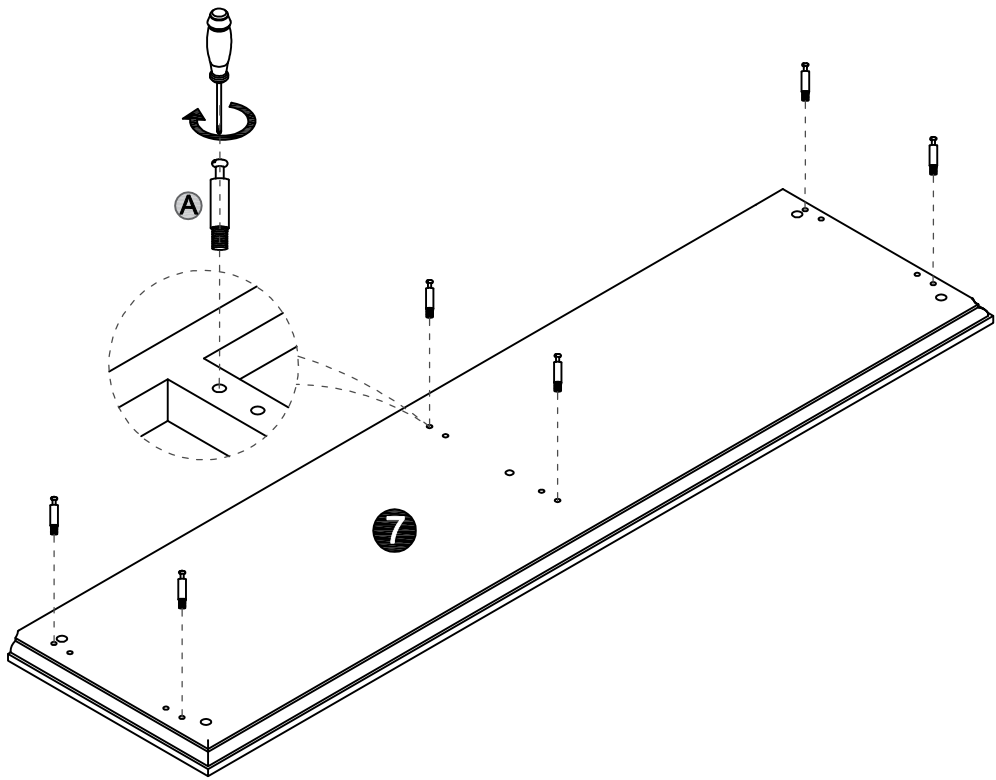
# Step 10



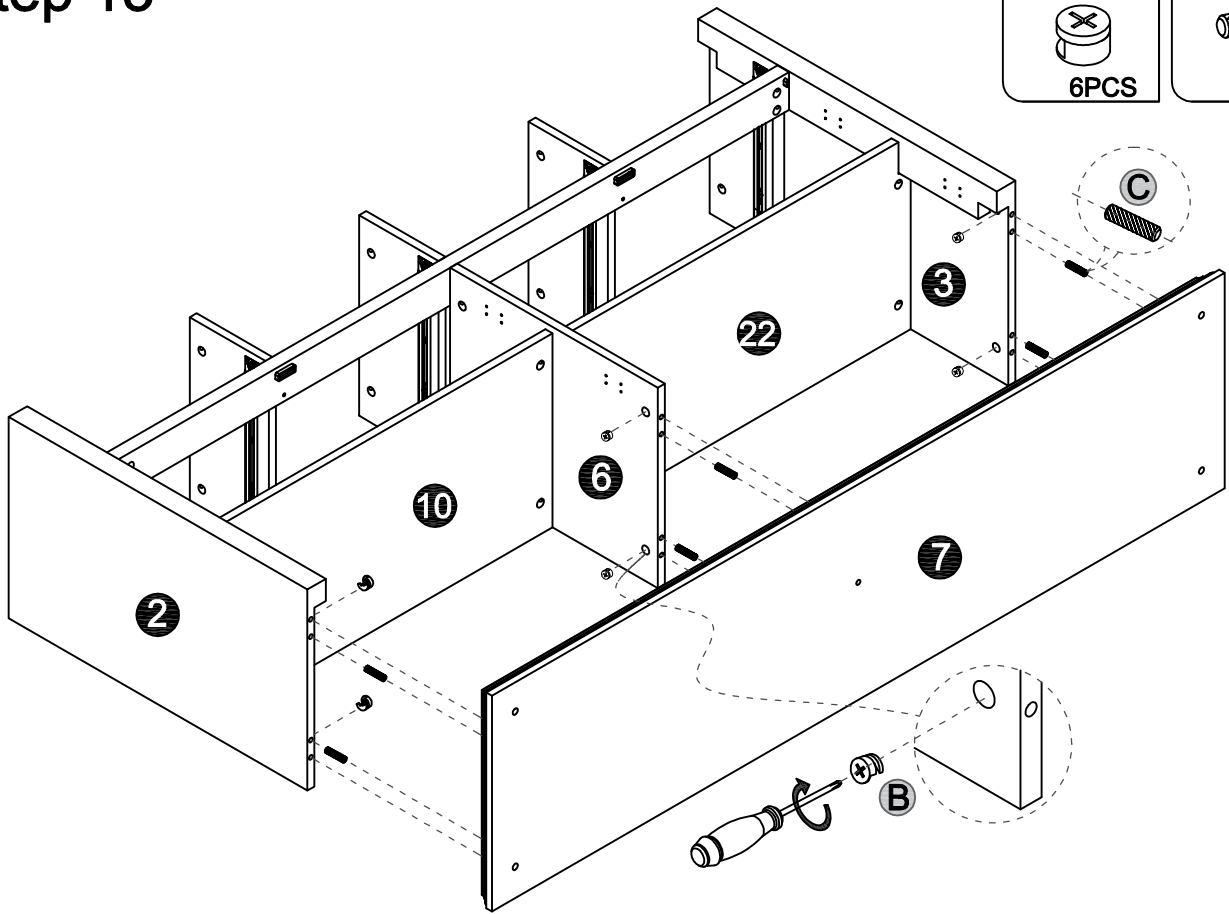
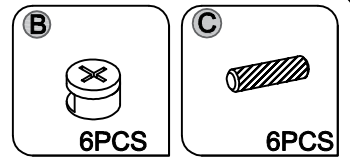
# Step 11



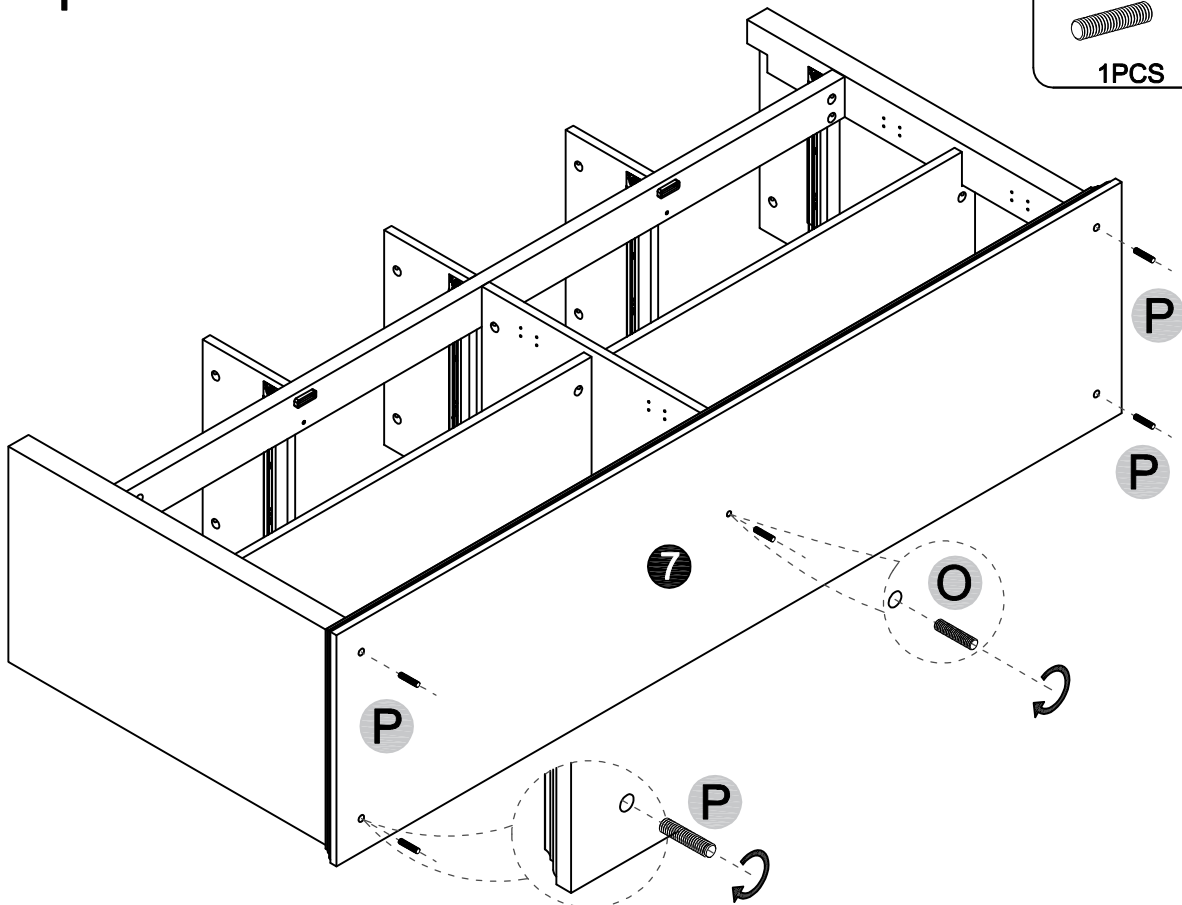
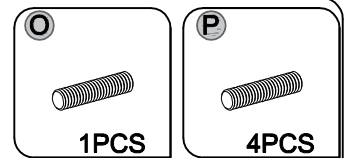
# Step 12



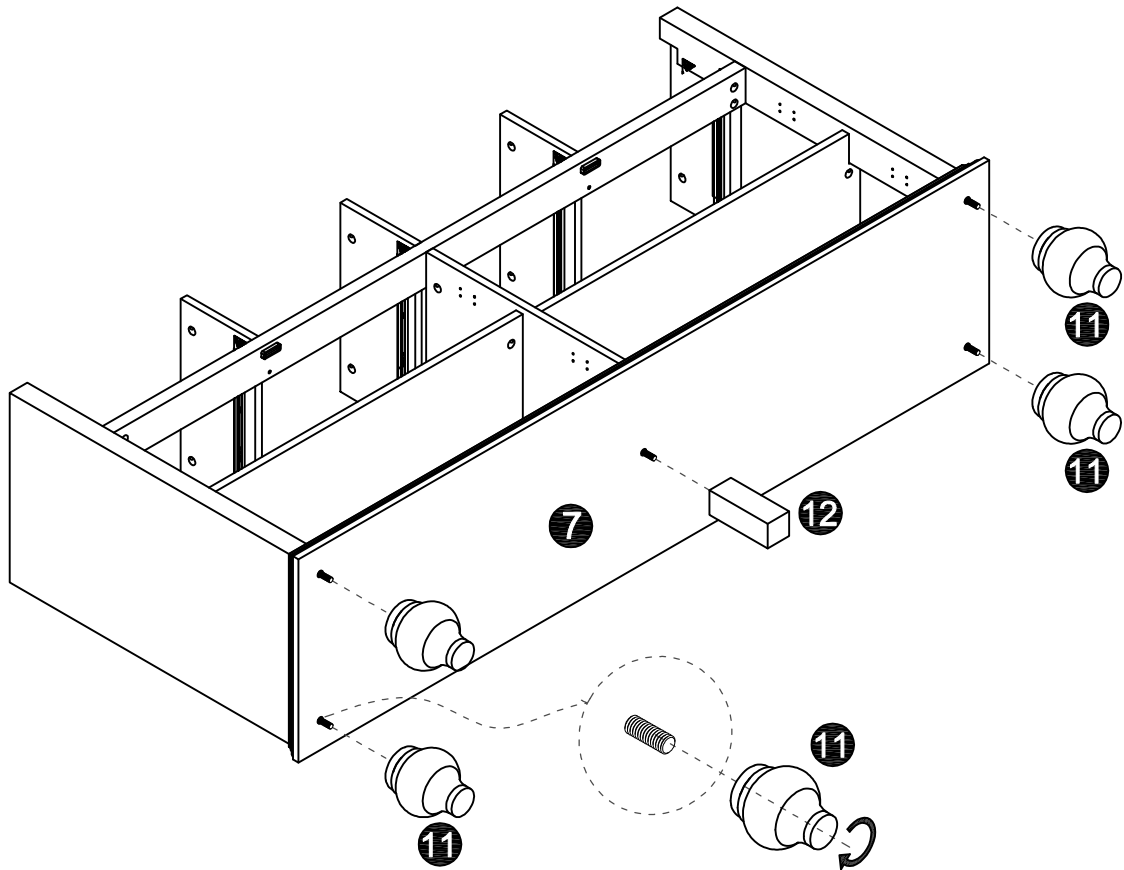
# Step 13



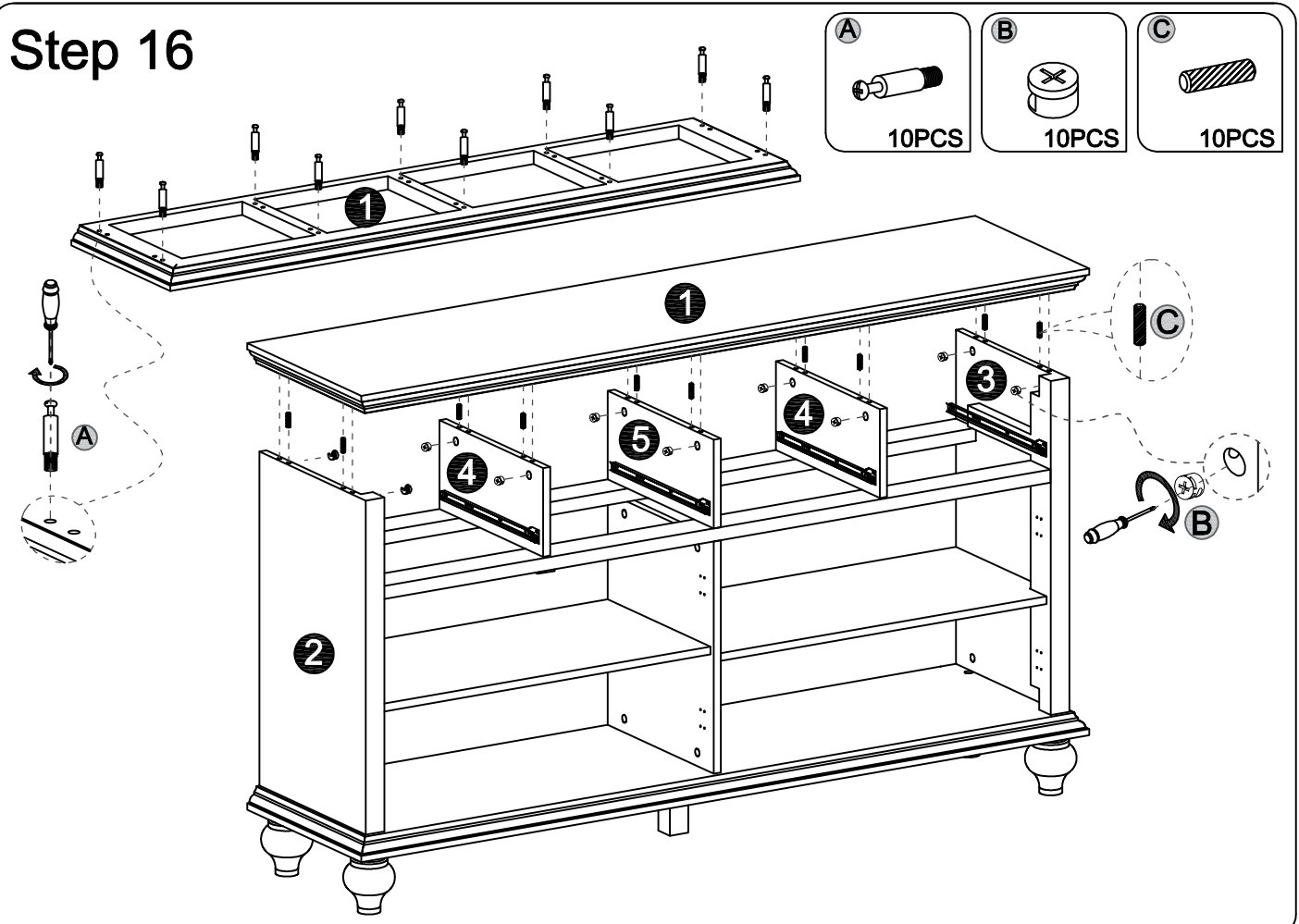
# Step 14



# Step 15

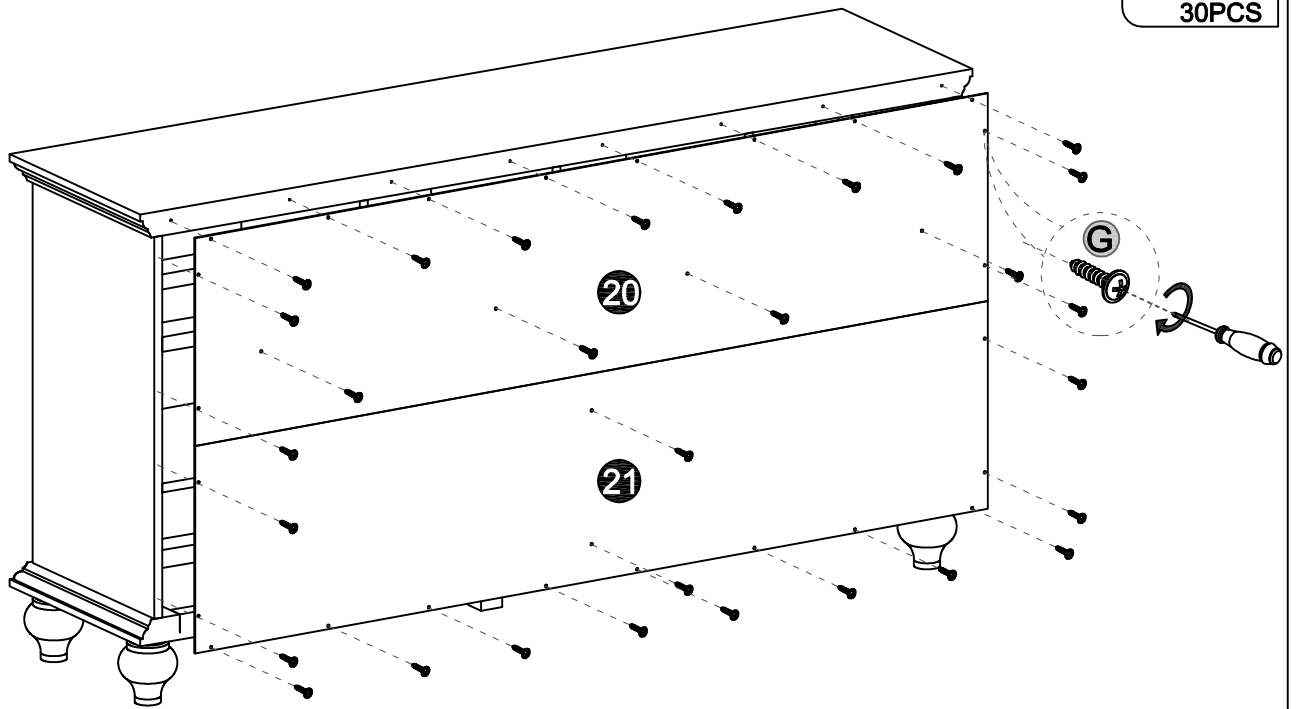


# Step 16



# Step 17

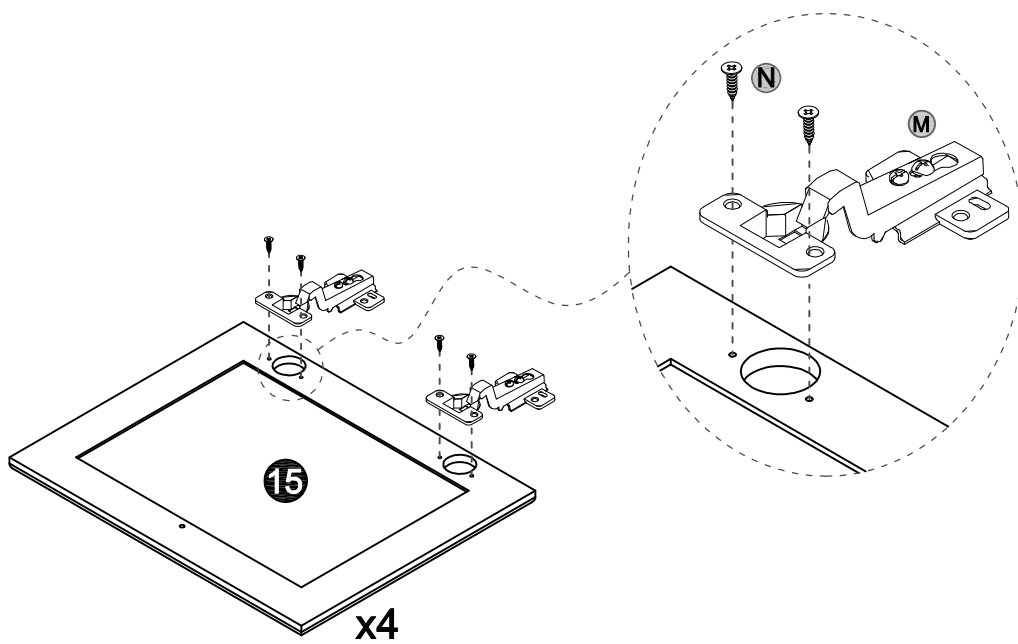
**G**  
30PCS



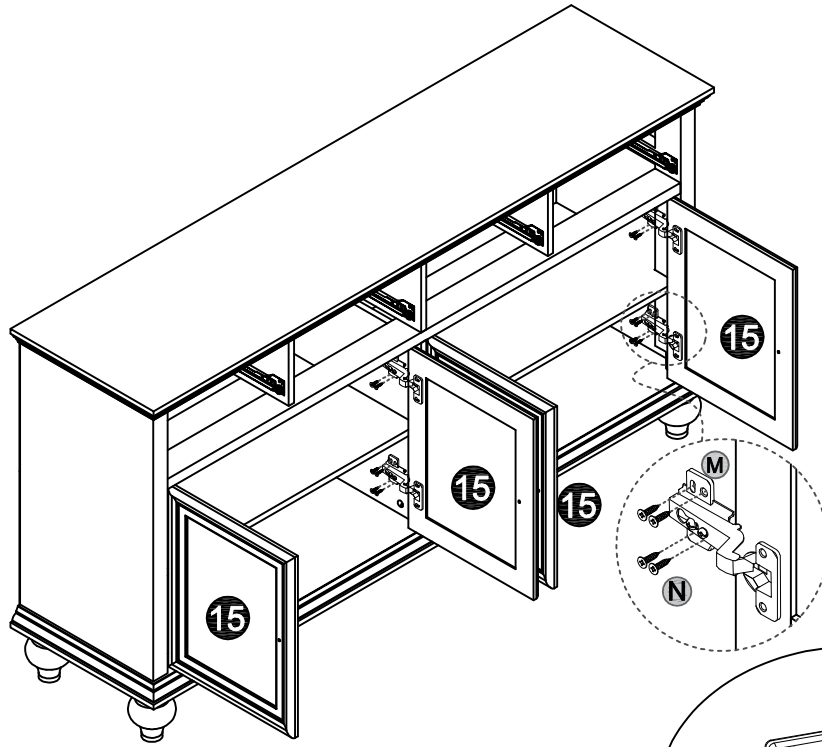
# Step 18

**M**  
8PCS

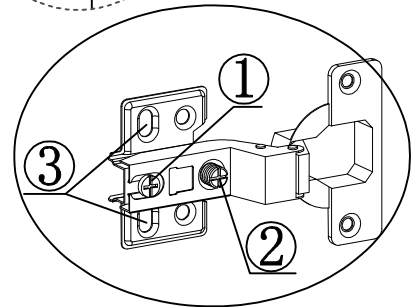
**N**  
16PCS



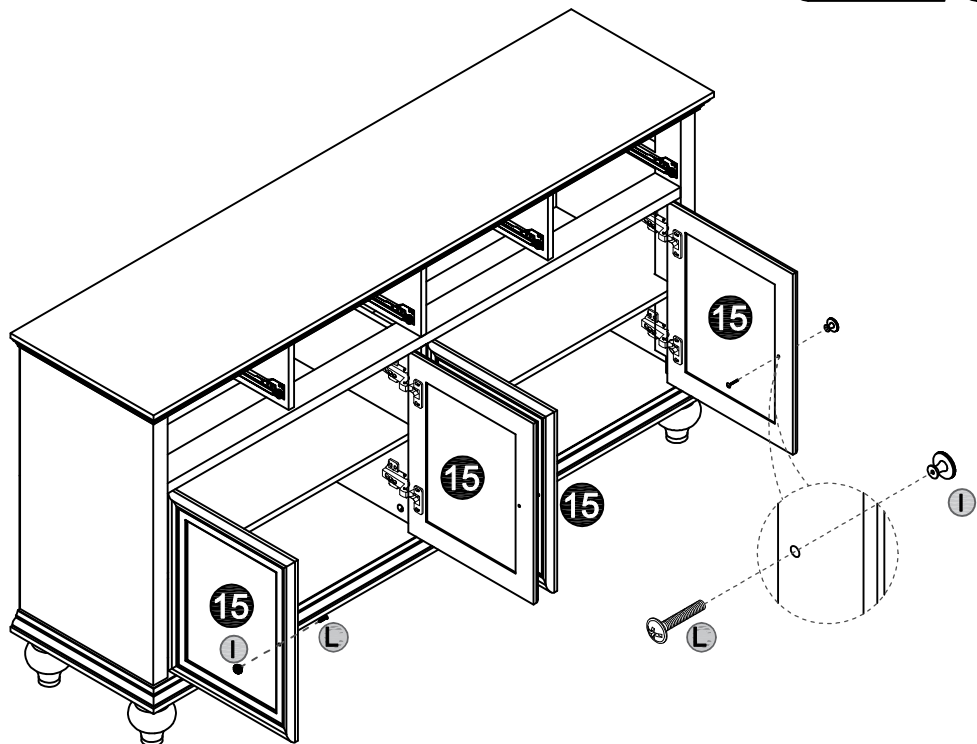
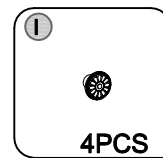
# Step 19



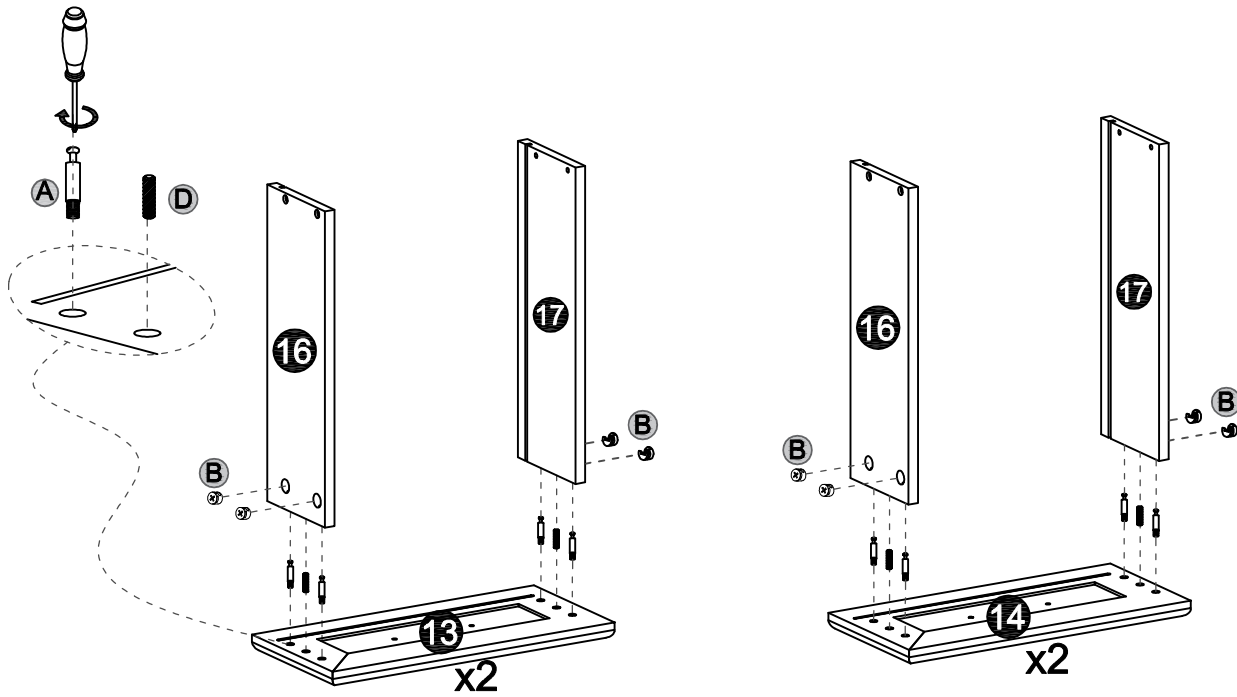
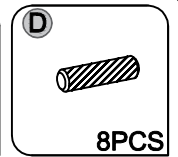
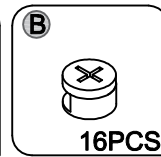
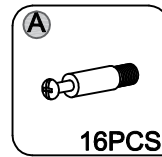
- ①. TO ADJUST THE DOOR FORWARD OR BACKWARD.
- ②. TO ADJUST THE DOOR TO RIGHT OR TO LEFT.
- ③. TO ADJUST THE DOOR UP OR DOWN.



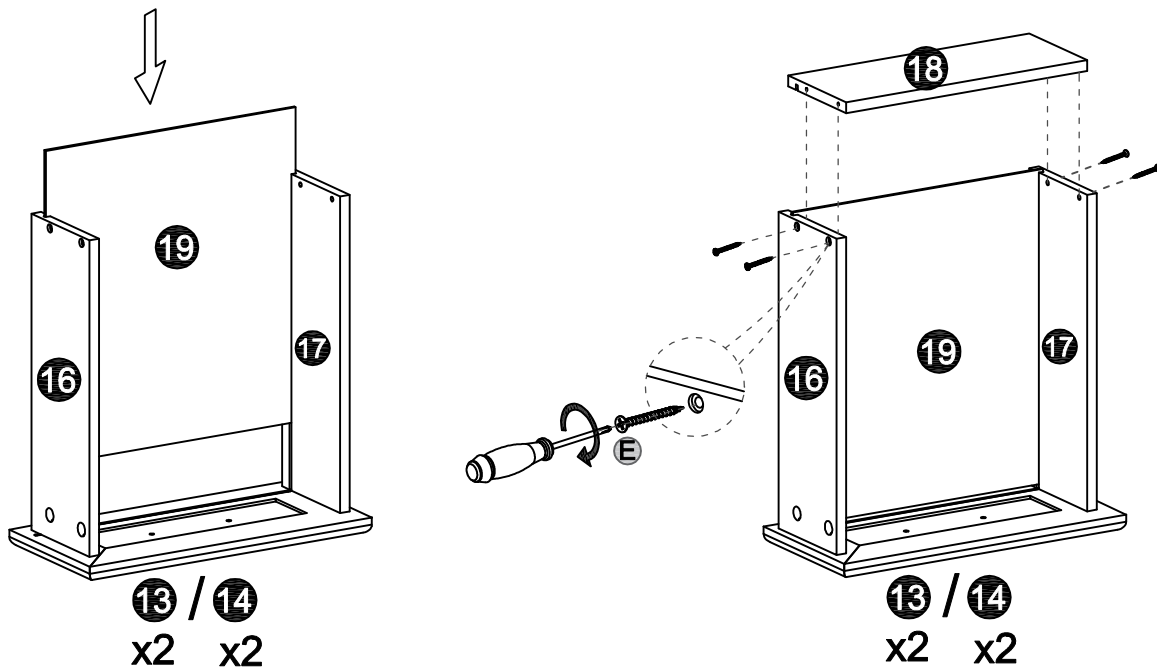
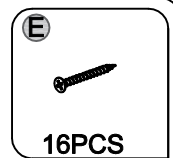
# Step 20



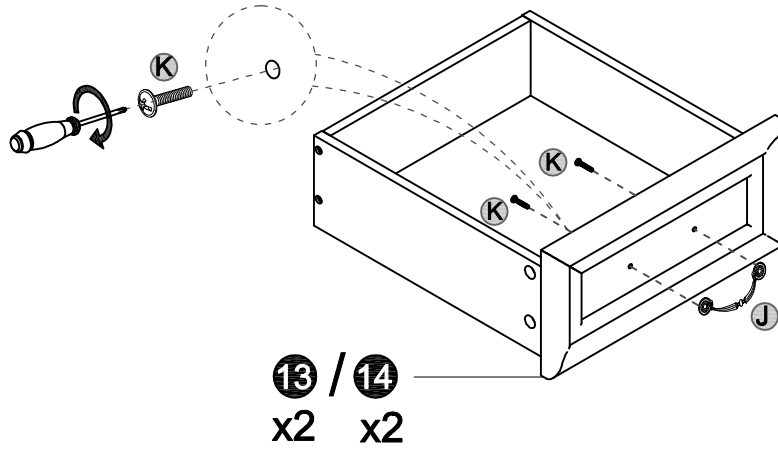
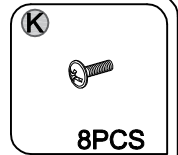
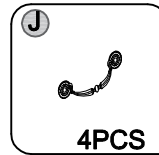
# Step 21



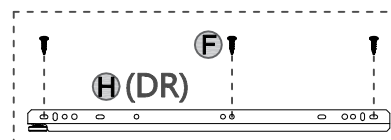
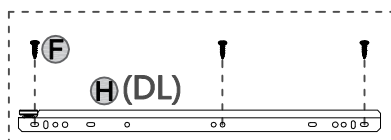
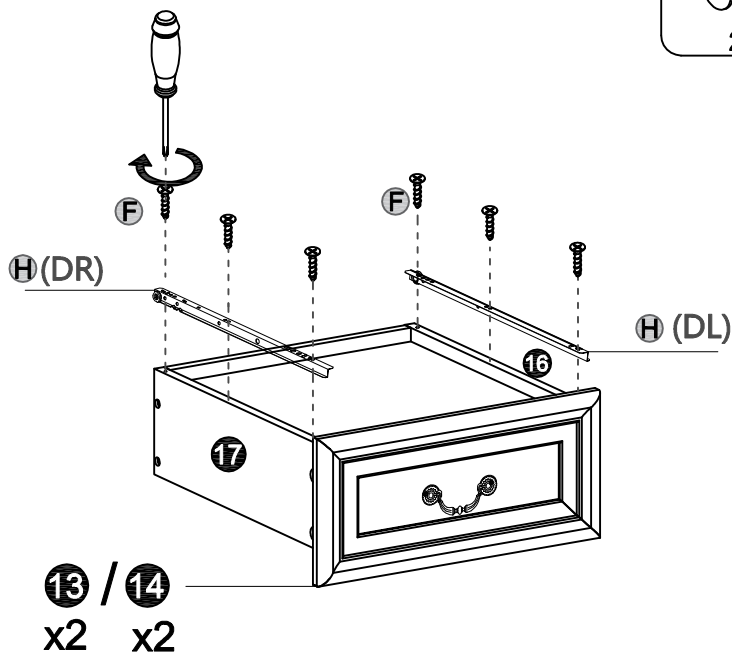
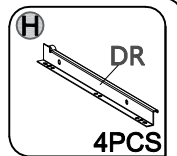
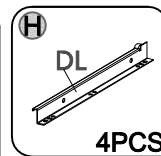
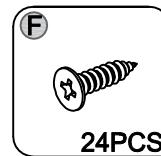
# Step 22



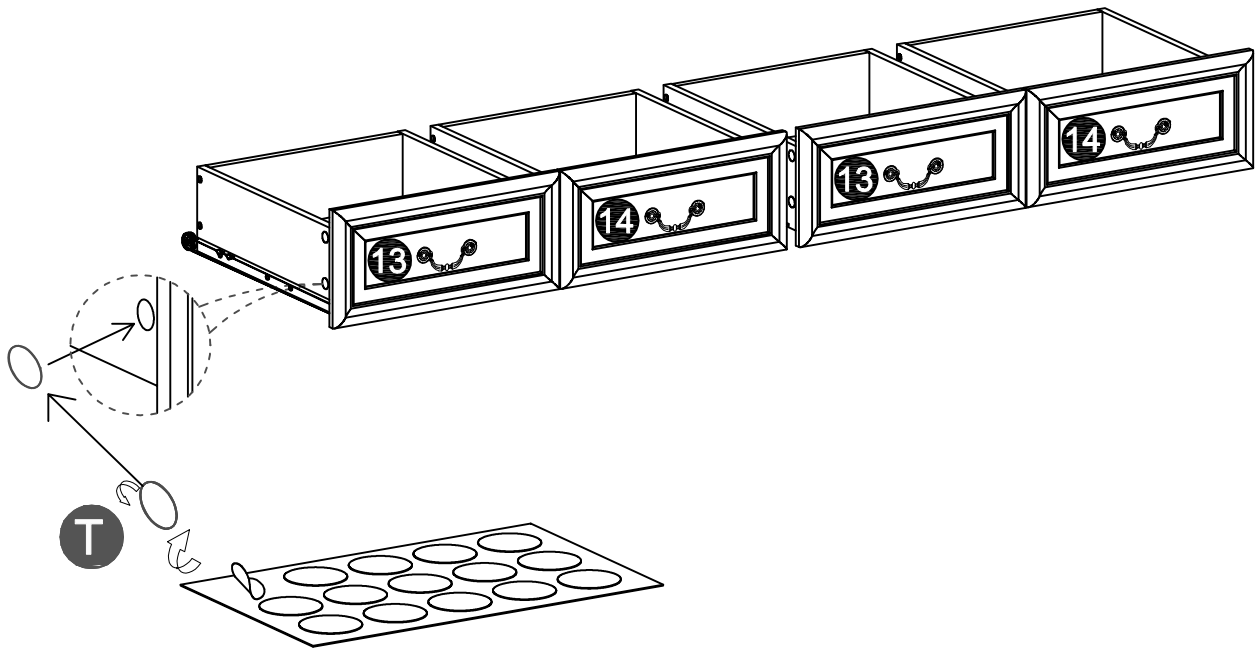
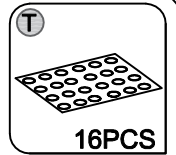
# Step 23



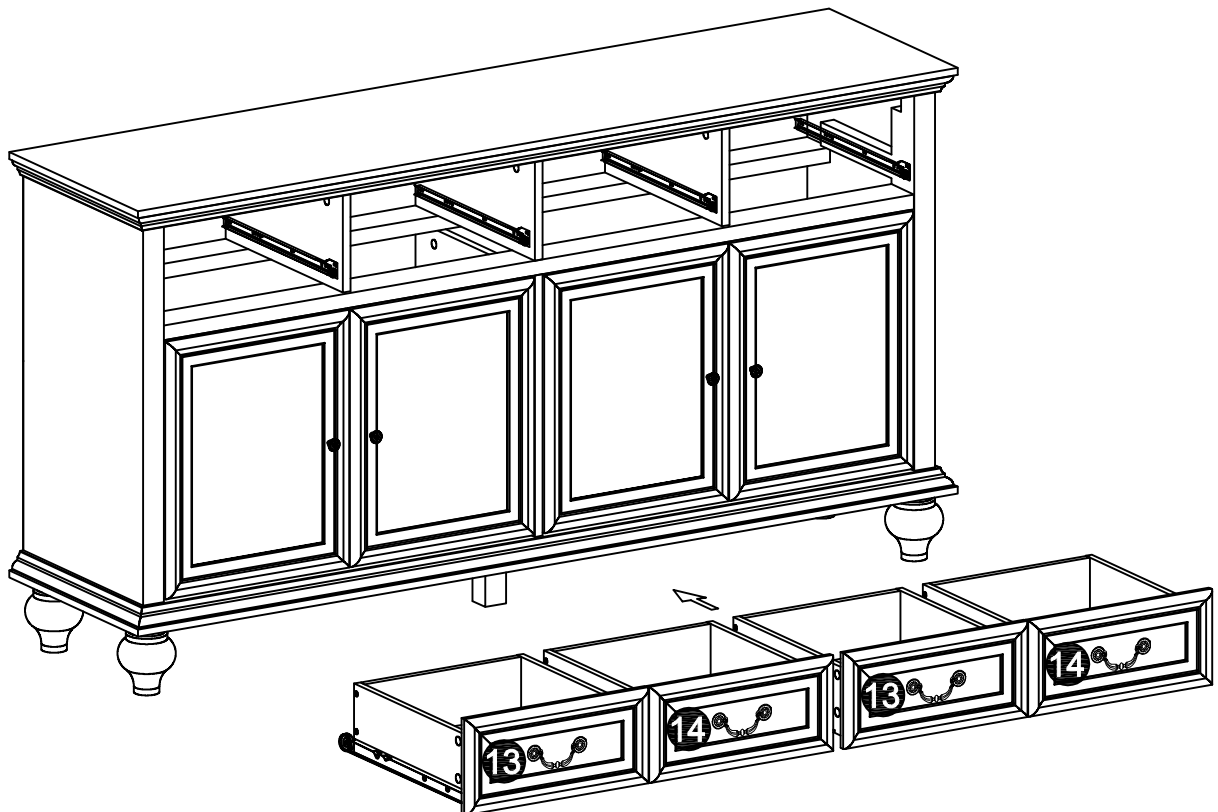
# Step 24



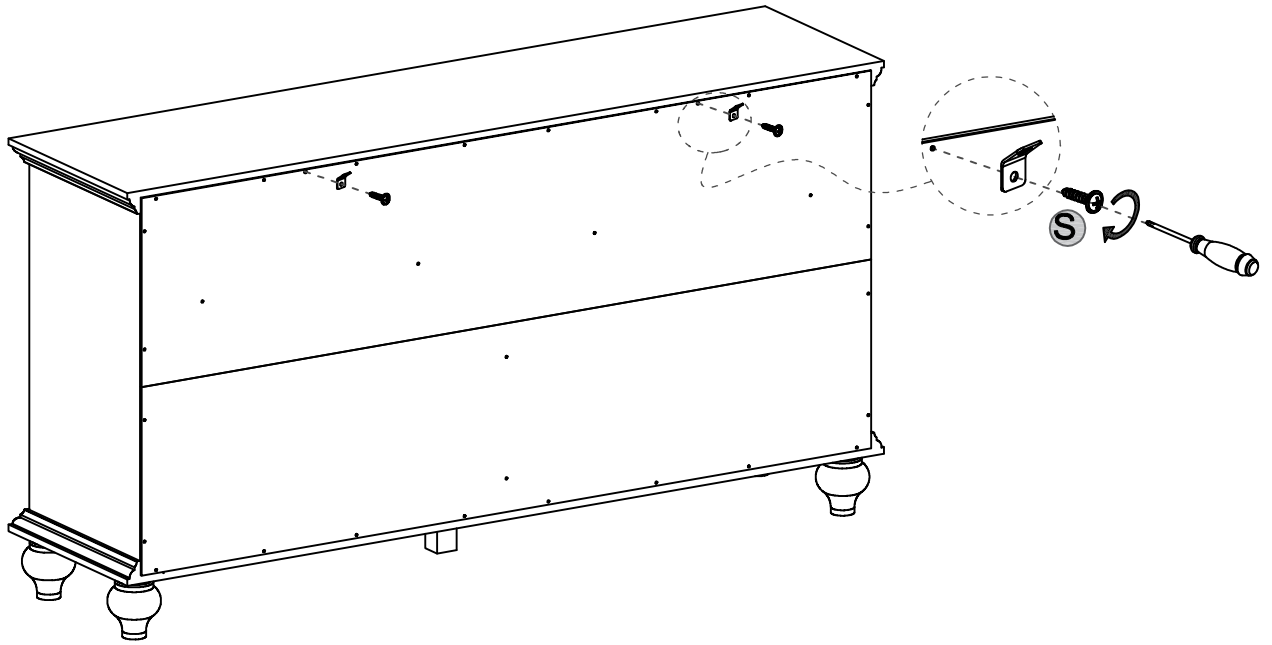
# Step 25



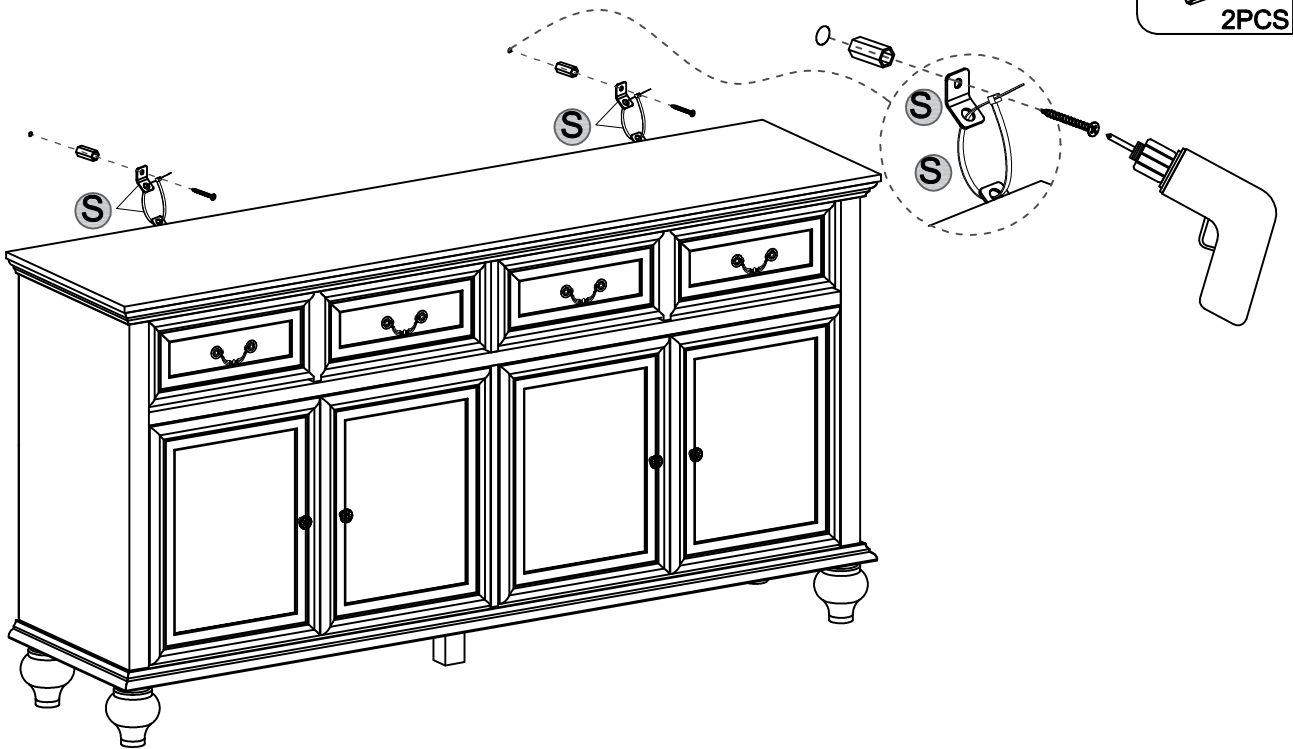
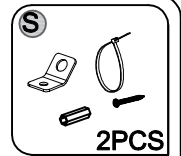
# Step 26



# Step 27



# Step 28



## IMPORTANT SAFETY INFORMATION

Please carefully read the instructions and caution warnings below before assembling the product. Following this guide will ensure that you install, use and maintain the product properly.

- Please keep this installation and user manual/instructions for future reference in case you need to assemble the product.
- Do not assemble if you notice serious damage such as cracks or bends.
- During installation, please use work gloves for hand safety.
- Please assemble the unit on carpeted floor or the flat cardboard box to avoid scratching the surface or your floor while assembling on the floor.
- To assemble, please use the complimentary installation tools (Allen Wrench). Pay more attention to the direction of components at each steps.
- It is recommended that two people work together to assemble the product.
- Please do not tighten the screws up too much, just to 80% before you finish to make the installation go on successfully.

## RETURN POLICY

We believe you will absolutely love your new product. But for some reason you want to return your item, please contact us within 30 days after receiving and ensure that the product which you want to return is in a good condition in the original box with all original certificates of purchase, manuals and accessories attached.

## HOW TO MAINTAIN YOUR PRODUCT:

- Check the screws of the product are not loose from regular use.
- Do not use sharp instruments, rubbing alcohol, corrosive chemicals, or abrasive cleaners to clean the product.
- Do not keep the product in a damp environment for a long period of time. The damp environment may cause the iron components to rust and the plates to bulge and crack.