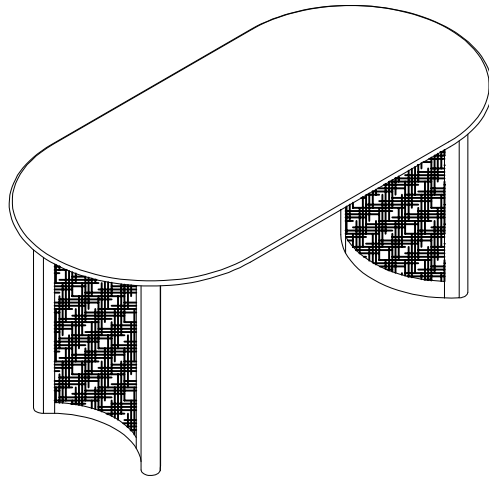

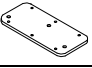
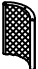
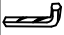





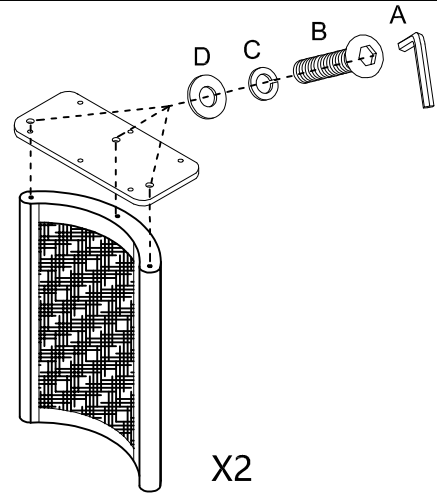
ASSEMBLY INSTRUCTIONS



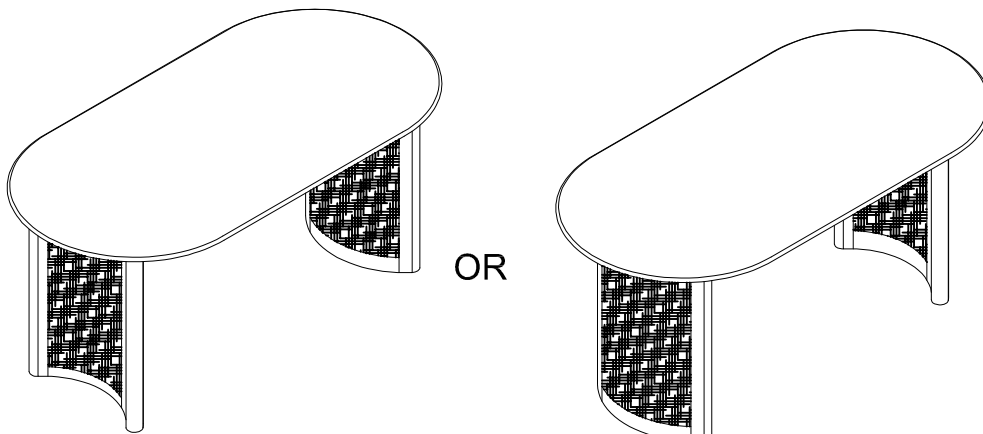
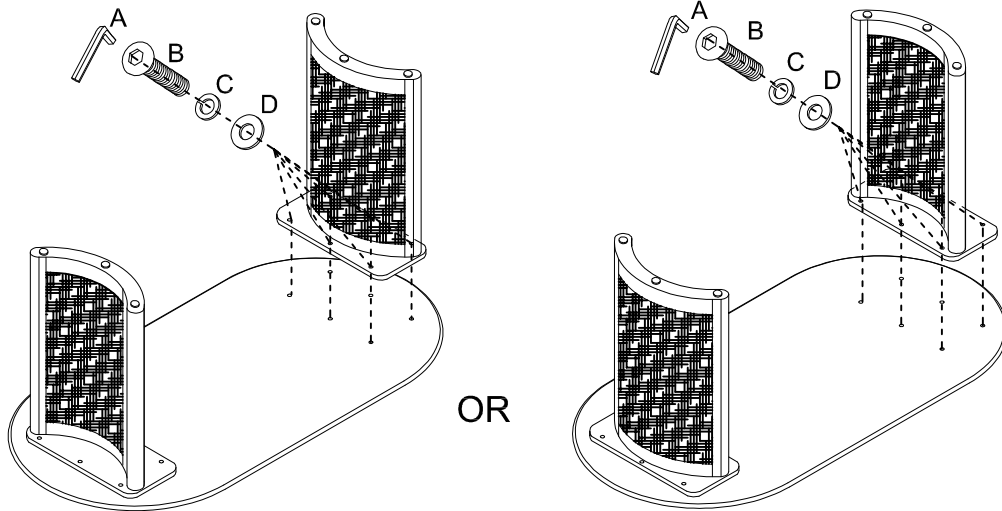
PARTS LIST		
	Top Panel	1PC
	Connecting Plate	2PCS
	Legs	2PCS

HARDWARE LIST			
A		1PC	5/16"
B		18PCS	5/16" *1-1/2"
C		18PCS	5/16"
D		18PCS	5/16"*19MM

STEP 1



STEP 2



OK