

ASSEMBLY INSTRUCTION

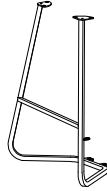
699-24 24"H COUNTER HEIGHT CHAIR

A Chair Seat



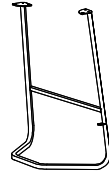
1 PC

B Left Leg



1 PC

C Right Leg



1 PC

D Rail



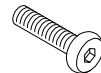
1 PC

E Bolt
1/4 " x 5/8 "



4 PCS

F Long Bolt
1/4 " x 3/4 "



8 PCS

G Spring Washer
1/4 "



8 PCS

H Flat Washer
1/4 "

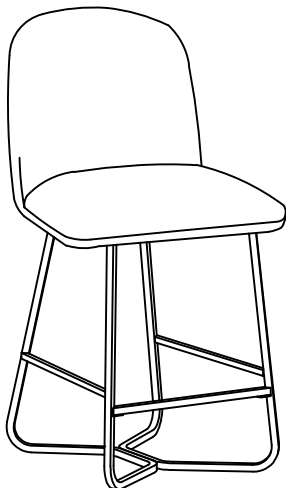


8 PCS

I Allen Key
M4



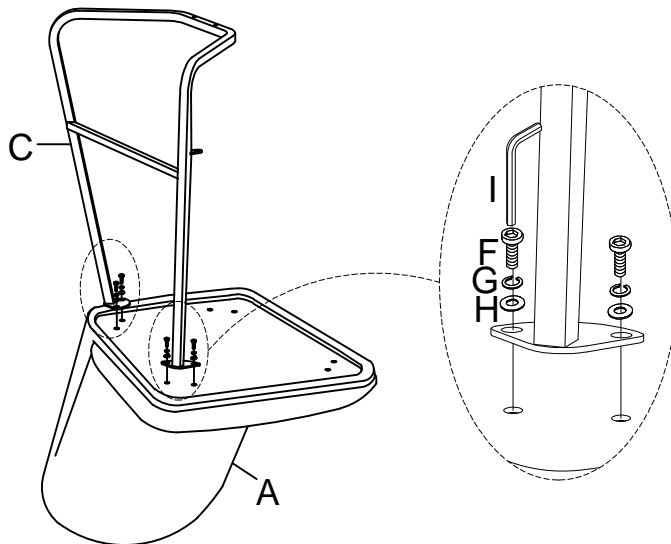
1 PC



This page lists all the contents included in the box. Please take the time to identify the hardware as well as the individual components to this product. As you unpack and prepare for assembly, place the contents on a carpeted or padded area to protect them from damage.

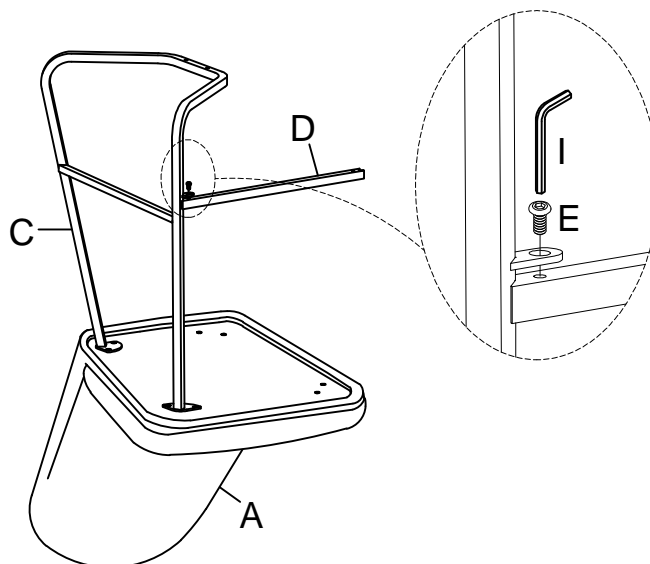
1 Attach Right Leg (C) to the bottom of Chair Seat (A) using Long Bolt (F), Spring Washer (G), Flat Washer (H) with Allen Key (I).

Note: Do not fully tighten the bolts at this step.



2 Attach Rail (D) to Right Leg (C) using Bolt (E) with Allen Key (I).

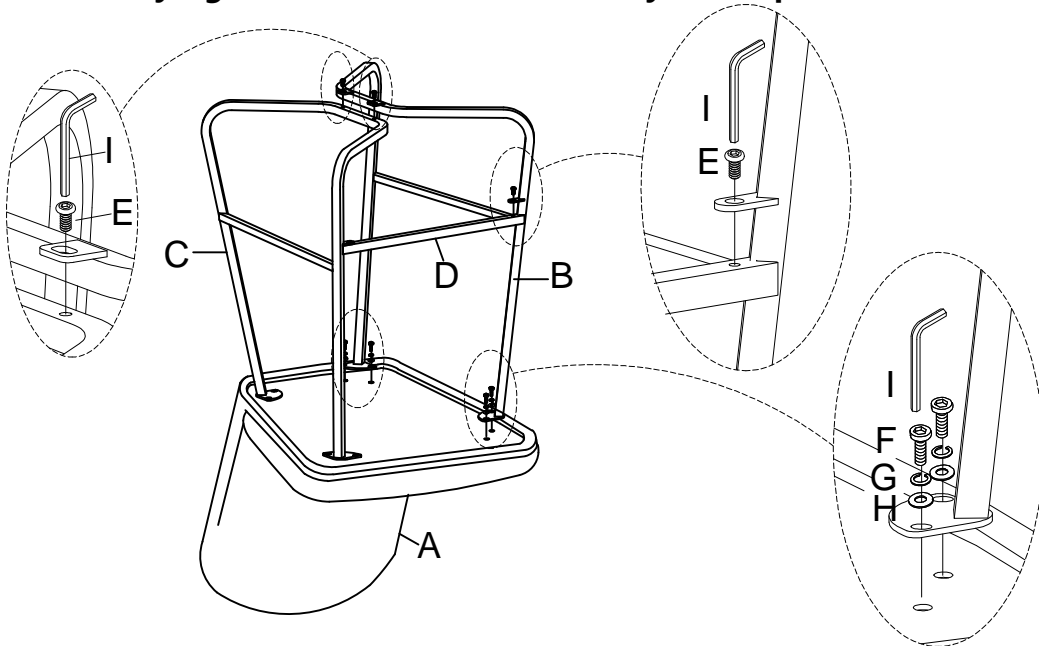
Note: Do not fully tighten the bolt at this step.



3

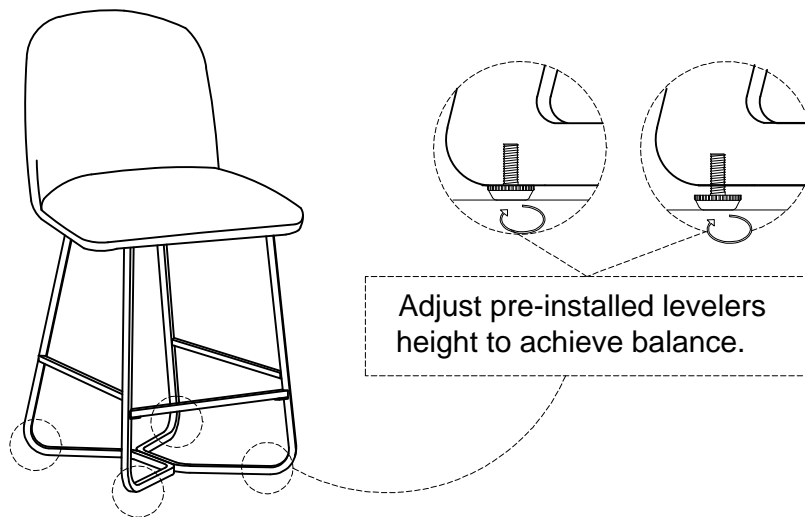
Attach Left Leg (B) to Right Leg (C) and Rail (D) using Bolt (E) with Allen Key (I), then fix Left Leg (B) to the bottom of Chair Seat (A) using Long Bolt (F), Spring Washer (G), Flat Washer (H) with Allen Key (I).

Note: Do not fully tighten all bolts until assembly is completed.



4

With assistance from your adult partners, turn the Chair right way up. Adjust the pre-installed levelers on the bottom of Left Leg (B) and Right Leg (C) until the Chair is level with the ground.



Cleaning & Care

Treat surfaces with care. Surfaces are resistant to scratches but are not scratch resistant. Clean surfaces with a dry or damp soft cloth. Do not use abrasive cleaners. Hardware may loosen over time. Periodically check that all connections are tight.