

TOOLS REQUIRED



Allen Wrench

(Included)



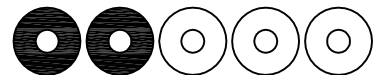
Phillips
Screwdriver

(Not Included)



2 - Persons
Recommended

ASSEMBLY RATING



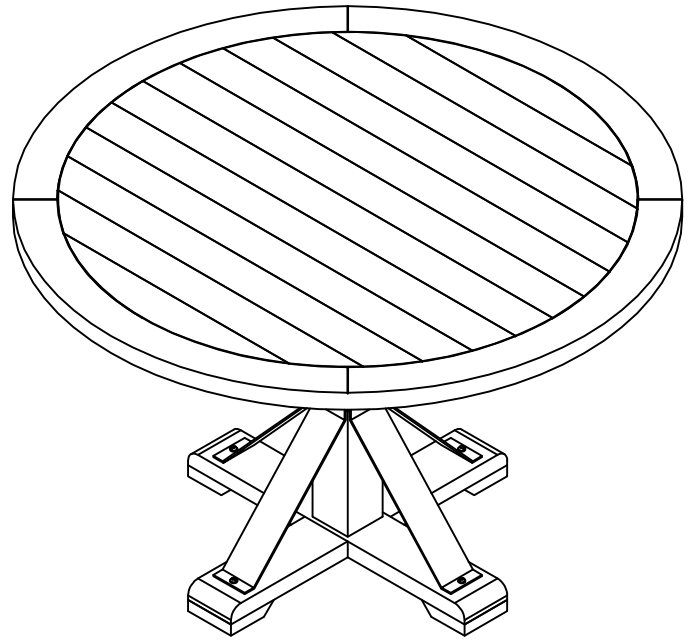
EASY —————> DIFFICULT

The Assembly Rating is a 5-point system showing the level of effort needed to assemble a specific product.

TABLE



- Please keep instructions for future reference.
- Check the quantity and irregularity of parts and hardware before you start.



PARTS

#1 1pc

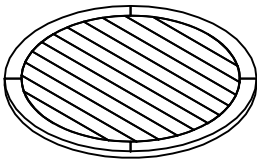


Table Top

#2 1pc

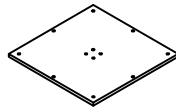


Table Top Support Panel

#3 1pc

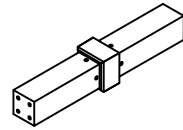
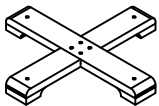


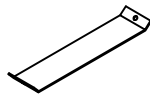
Table Leg

#4 1pc



Base

#5 8pcs



Metal Plate

HARDWARE

#A 12pcs



Bolt $\text{\O}5/16''$ x 1-3/4''

#B 4pcs



Bolt $\text{\O}5/16''$ x 2-1/2''

#C 12pcs



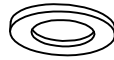
Bolt $\text{\O}5/16''$ x 1''

#D 16pcs



Lock Washer $\text{\O}5/16''$ x 3/4''

#E 16pcs



Flat Washer $\text{\O}5/16''$

#F 1pc



Allen Wrench $\text{\O}5\text{mm}$

ASSEMBLY INSTRUCTIONS

1

Part (#2) x1pc

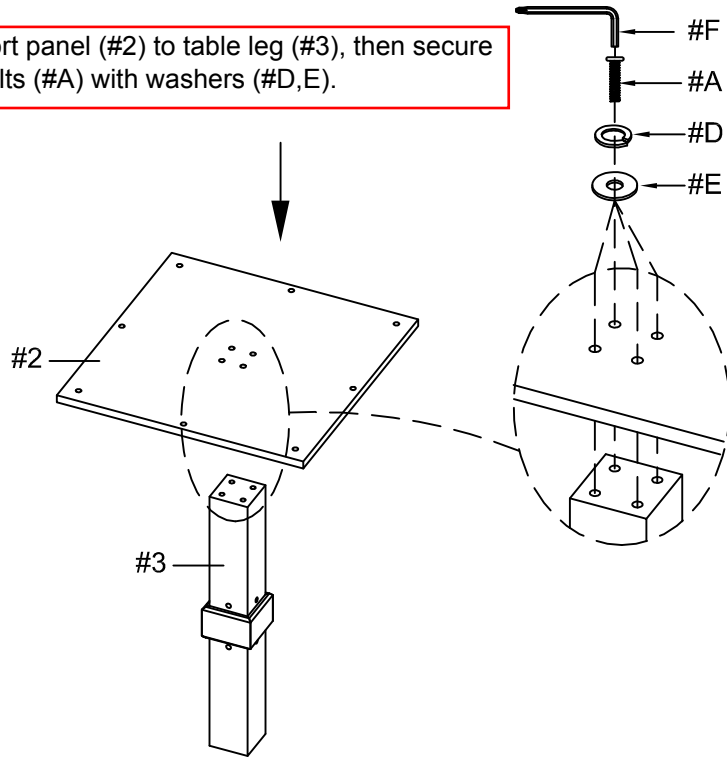
Part (#3) x1pc

Hardware (#A) x4pcs

Hardware (#D) x4pcs

Hardware (#E) x4pcs

Align support panel (#2) to table leg (#3), then secure by using bolts (#A) with washers (#D,E).



2

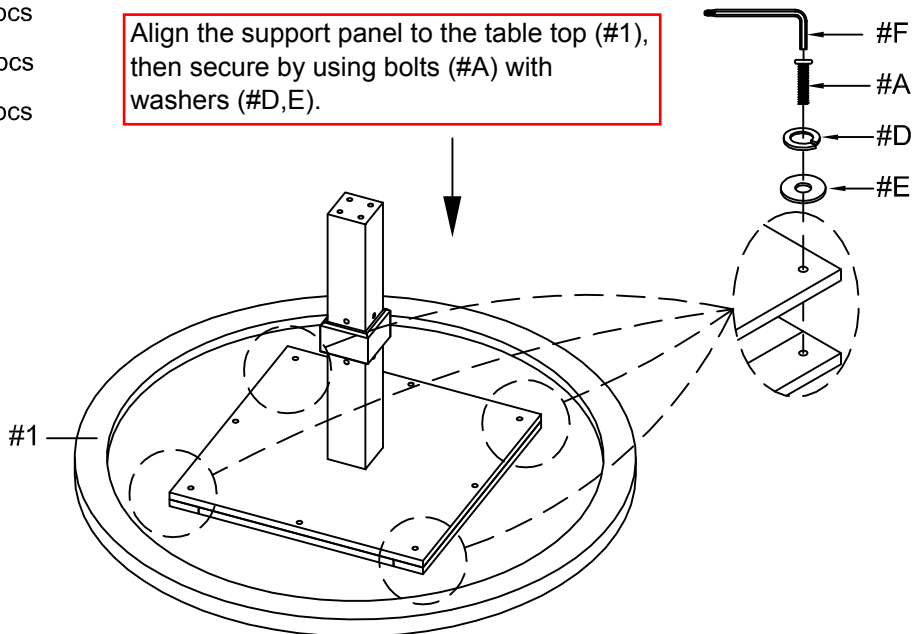
Part (#1) x1pc

Hardware (#A) x4pcs

Hardware (#D) x4pcs

Hardware (#E) x4pcs

Align the support panel to the table top (#1), then secure by using bolts (#A) with washers (#D,E).

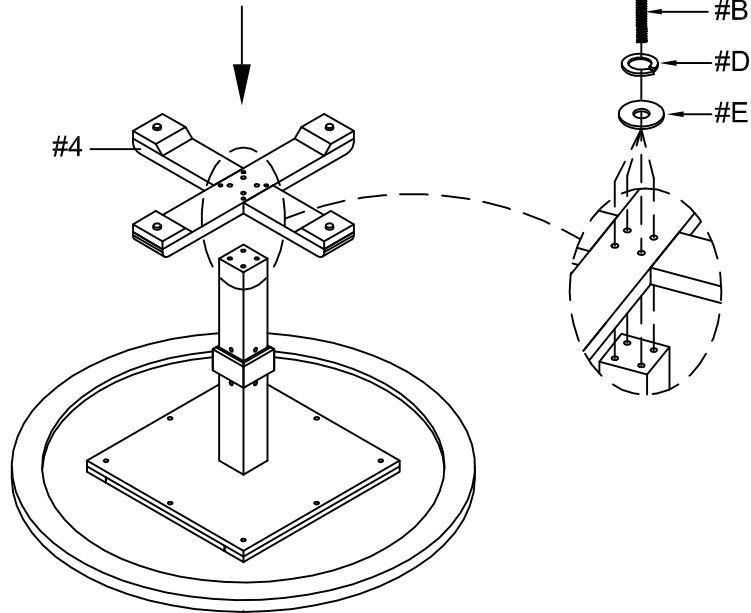


ASSEMBLY INSTRUCTIONS

3

- Part (#4) x1pc
- Hardware (#B) x4pcs
- Hardware (#D) x4pcs
- Hardware (#E) x4pcs

Align base (#4) to leg, then secure by using bolts (#B) with washers (#D,E).

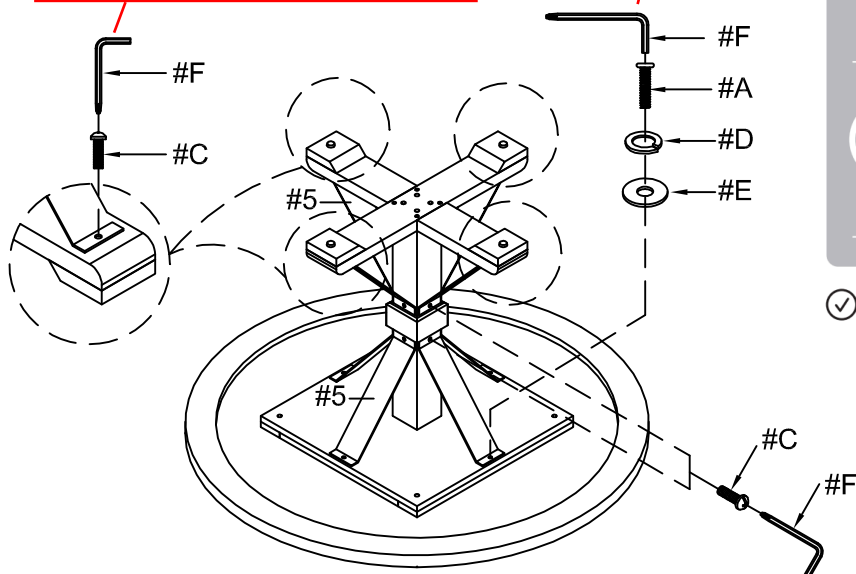


4

- Part (#5) x8pcs
- Hardware (#A) x4pcs
- Hardware (#C) x12pcs
- Hardware (#D) x4pcs
- Hardware (#E) x4pcs

Align metal plates (#5) to table, then secure by using bolts (#A) with washers (#D,E).

Align metal plates (#5) to table, then secure by using bolts (#C).



ASSEMBLY COMPLETED



Please ensure the furniture rests on an even and flat surface. If the product wobbles or feels loose, double-check all bolts and/or screws are properly tightened and secured.



Keep this handy!

Please retain this instruction manual and any order-related information for future reference.