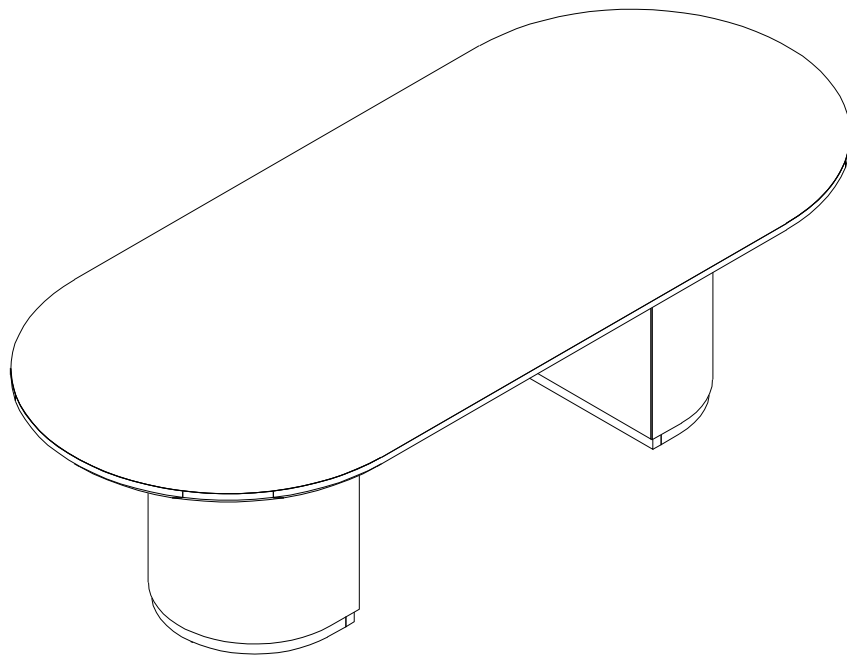





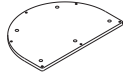
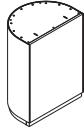
MARLOW DINING TABLE

# MARLOW

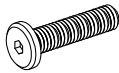


## ASSEMBLY INSTRUCTIONS



# PARTS LIST

Label	Picture	Description	Qty
A		Top	1
B		Support panel	2
C		Legs	2

# HARDWARE

Label	Picture	Description	Qty
D		Bolt M6x25	22
E		Washer M6	22
F		Wrench K4x60	2

### BEFORE BEGINNING ASSEMBLY:



Read instructions cover to cover



Have two adults on hand for assembly



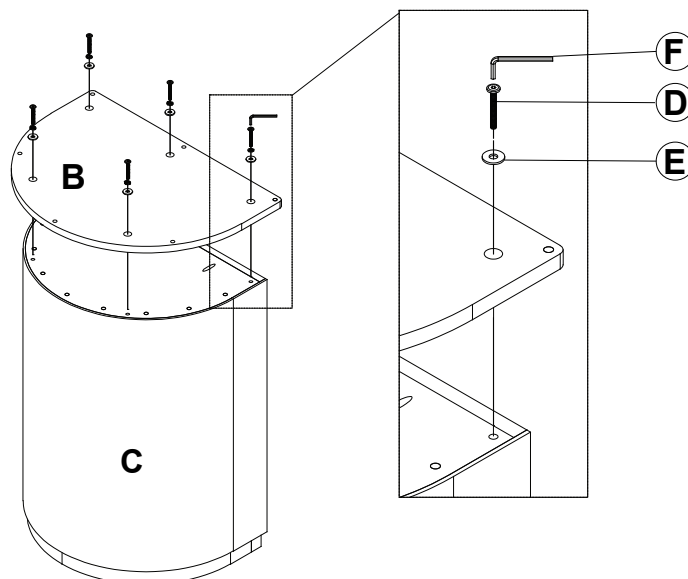
Do NOT assemble on flooring or carpet. Assemble on a clean non-marring surface (ex: packing foam)



Save all packaging until assembly is completed

# ASSEMBLY STEPS

## STEP 1



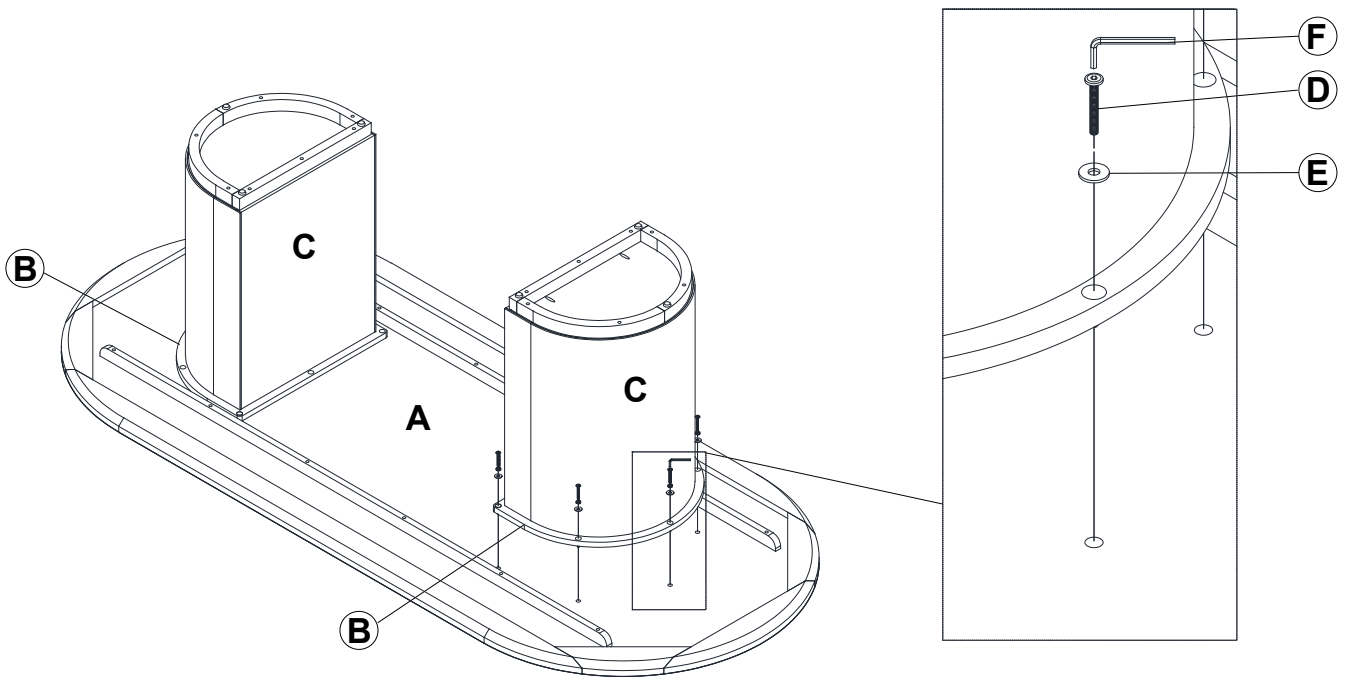
Install the support panel (B) to leg (C) with hardware (D) and (E) by wrench (F). Repeat the same step with the other leg.

---

# ASSEMBLY STEPS

---

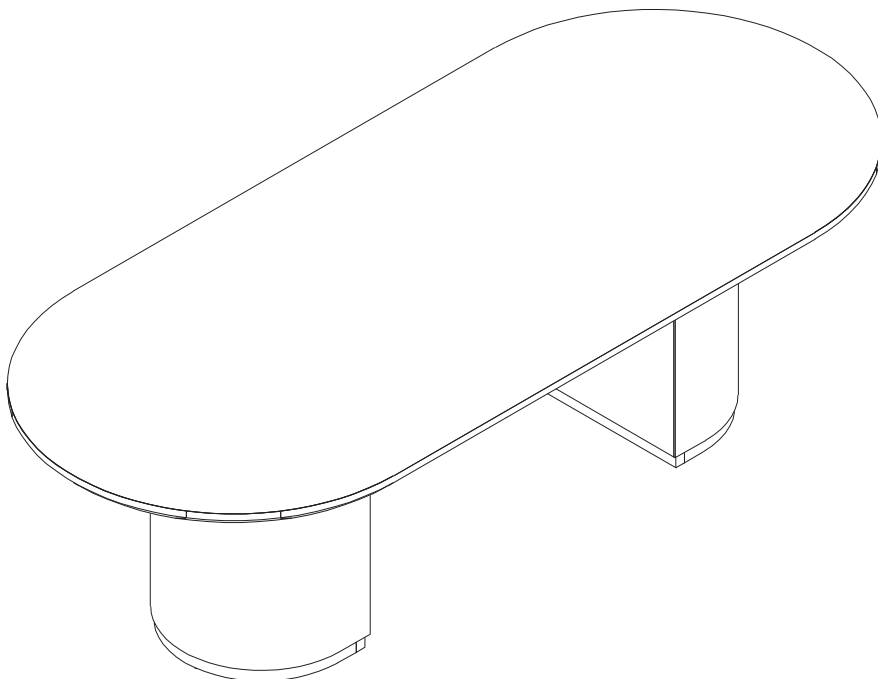
## STEP 2



*Position the product with care and secure the legs as shown*

---

## FINISH



---

## CARE & MAINTENANCE

---



Do not put hot items directly on furniture surface.



Do not clean furniture with harsh cleansers or polish



Dust and wipe up spills using a clean, non-colored, lint-free cloth.



Stains may be removed with a mild soap solution and a damp cloth.



Do not place furniture under direct sunlight.



Do not place furniture near heating or cooling vents.



Do not write on furniture without a padded barrier to protect the surface.



Do not place furniture outside, for indoor use only.