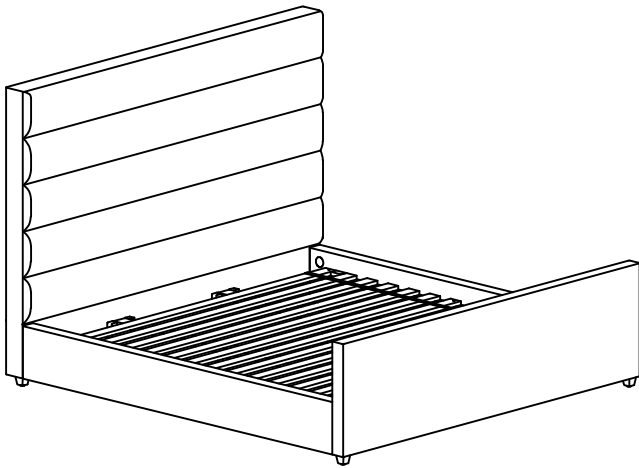









ASSEMBLY INSTRUCTION

DAPHNE CAL KING BED

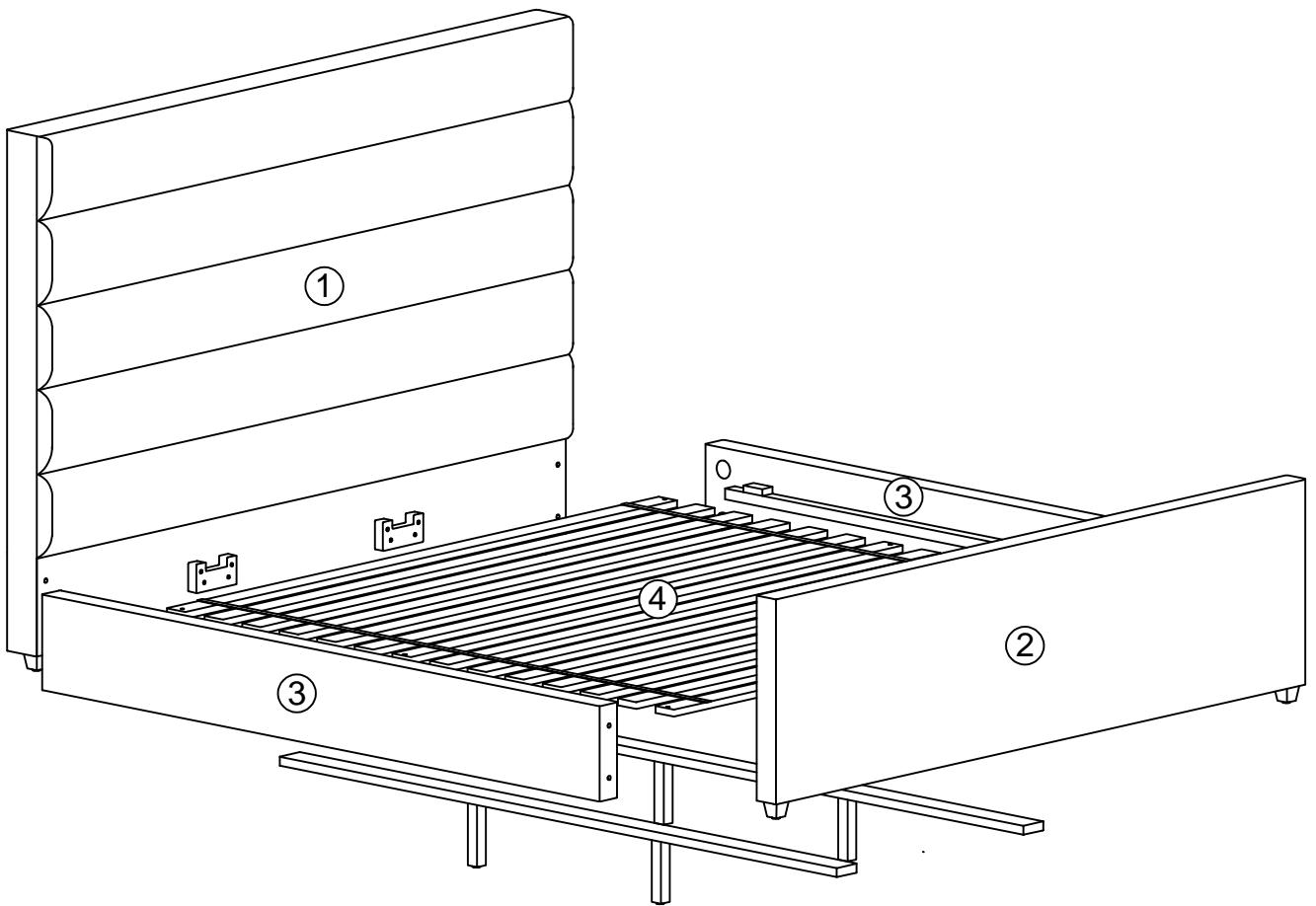


HARDWARE LIST

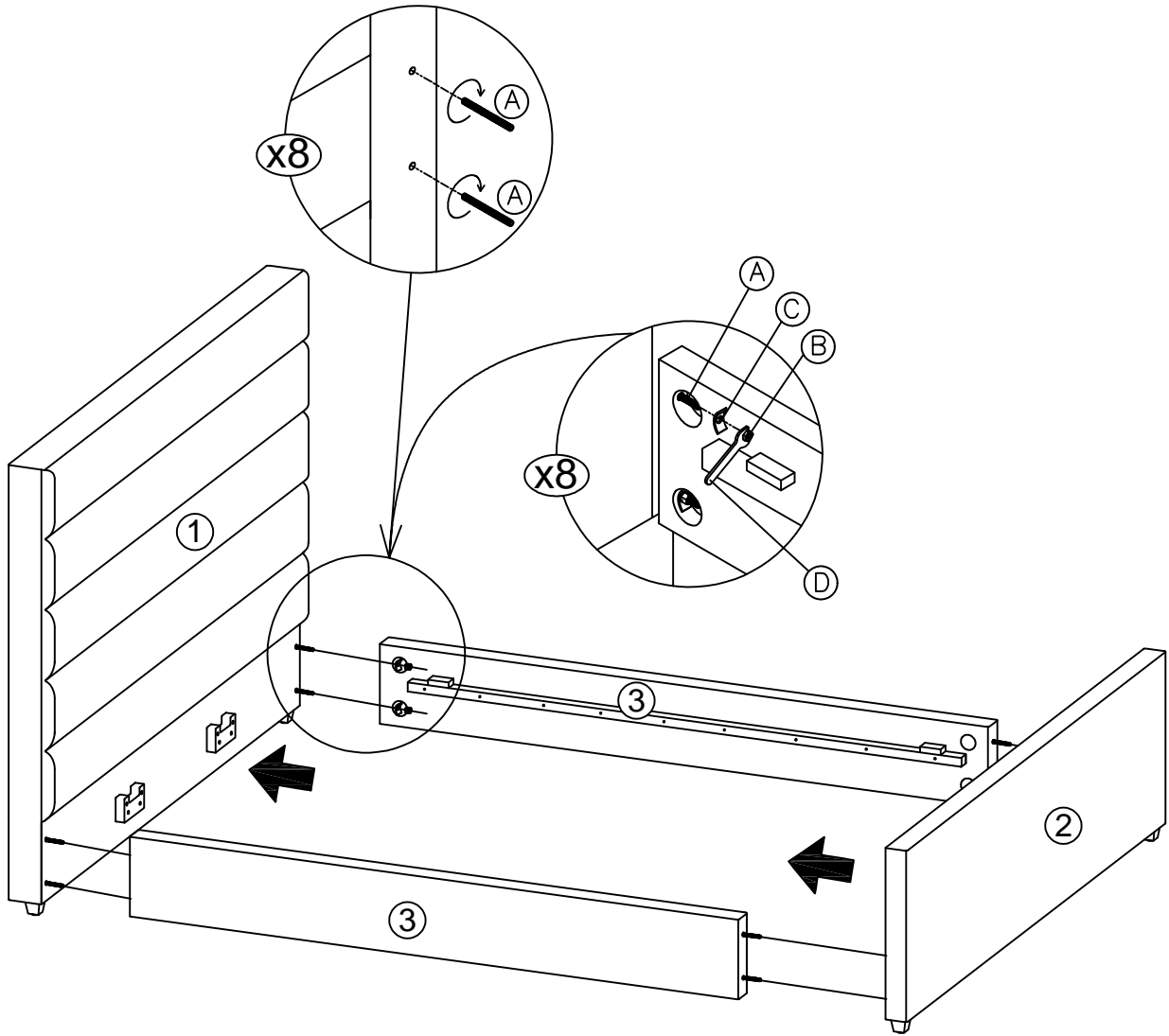
HARDWARE LIST			
A		BOLT Ø8 x100mm	8
B		HEXAGON NUT 8 x13mm	8
C		ACR WASHER 15 x30mm	8
D		WRENCH	1
E		WOOD SCREW Ø4 x25mm	6
F		SIDE COVER	8
G		CENTER LEGS	4

1

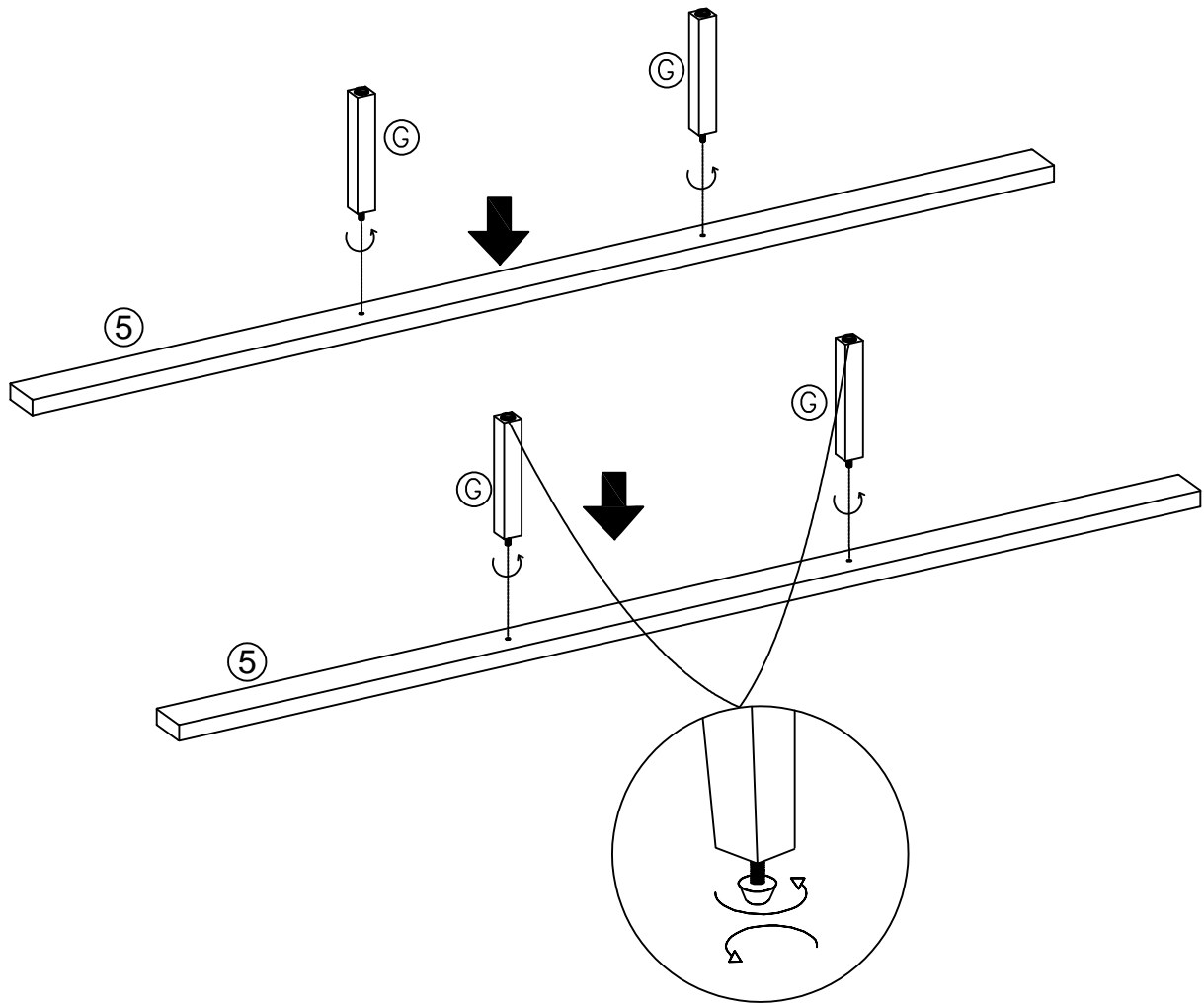
COMPONENTS



2



3



Adjusting Floor Levelers

Your furniture has been expertly crafted and pre-adjusted by professionals. However, slight shifts can occur during transportation. If you notice that the doors are not perfectly aligned or the furniture wobbles, a quick adjustment can help ensure stability and a seamless look.

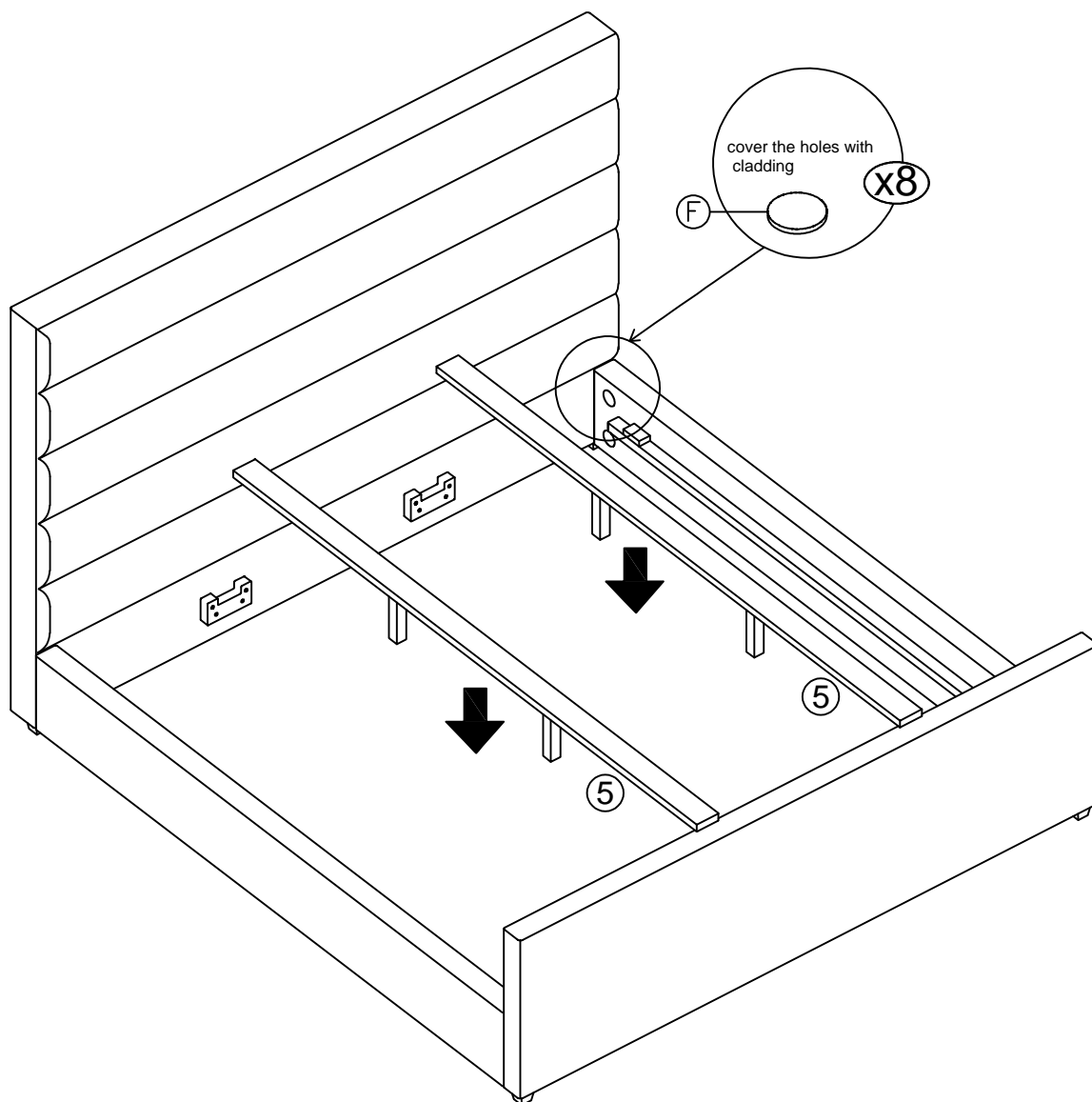
Adjust the Floor Levelers

Check for Stability - Place the furniture in its final position on a level surface. If it wobbles or doesn't sit evenly, the floor levelers need adjusting.

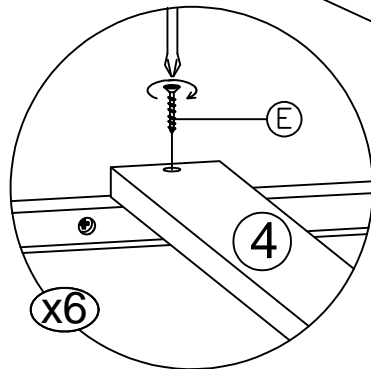
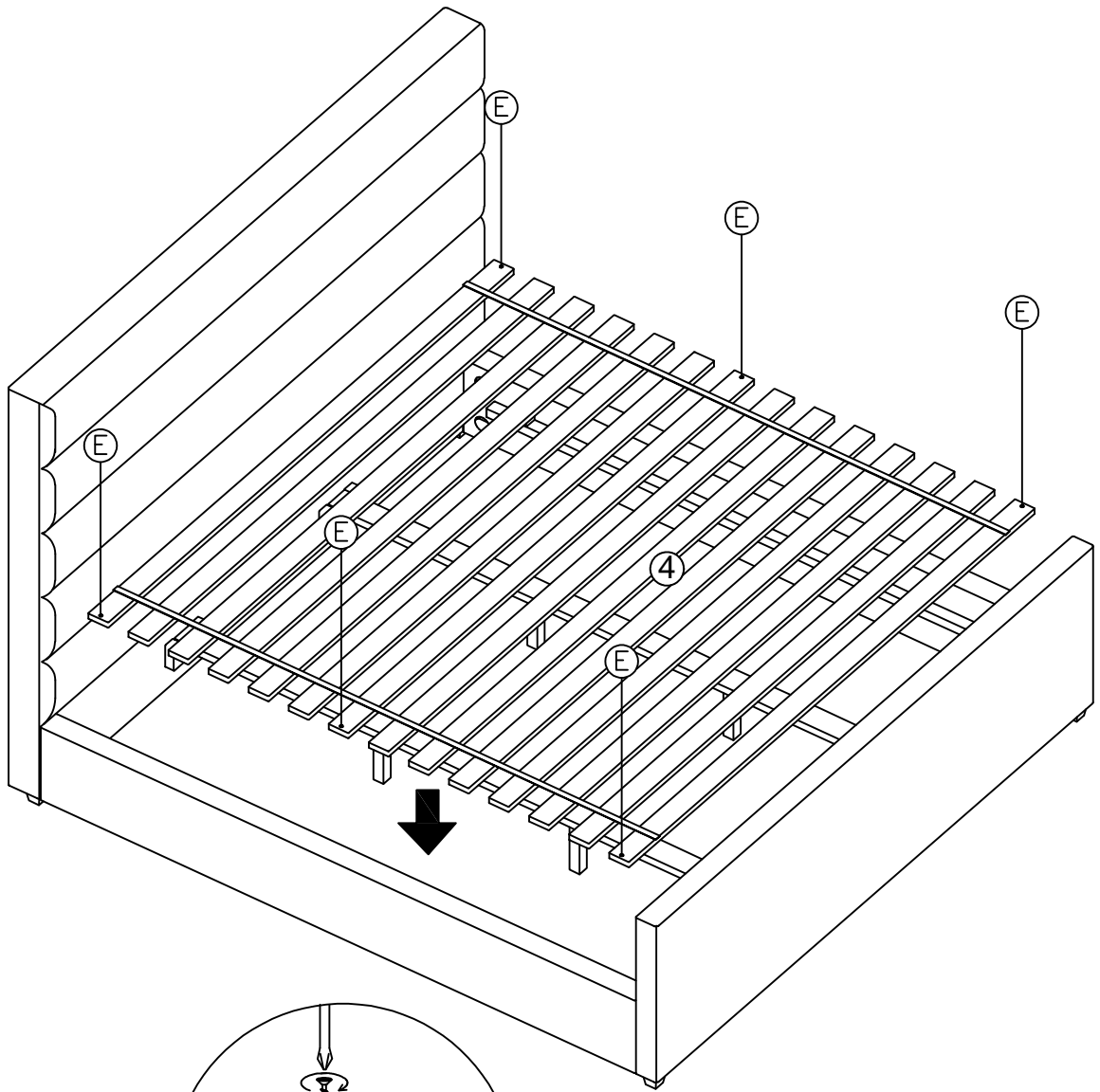
Locate the Levelers - These are small adjustable feet found at the bottom corners of your furniture.

Adjust as Needed - Using your hand or a wrench, turn the levelers clockwise to raise or counterclockwise to lower the furniture. Make small adjustments and check stability after each turn.

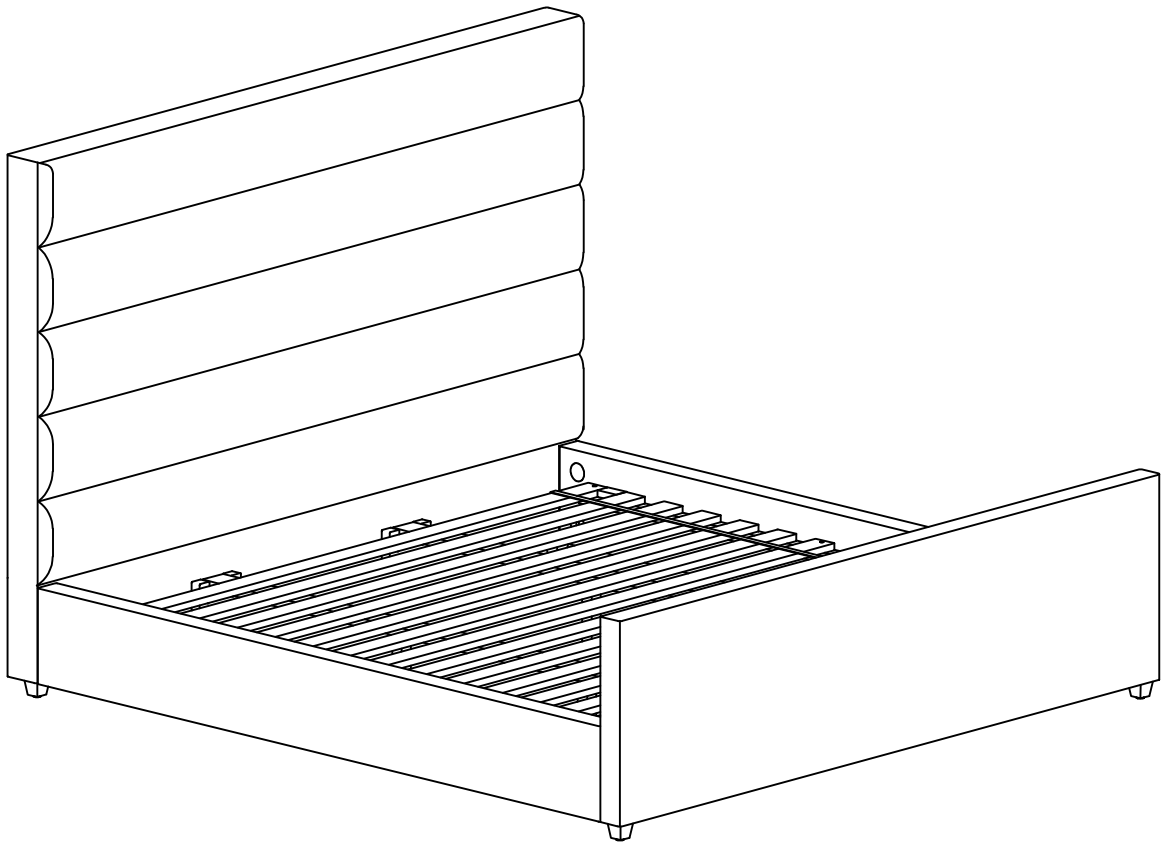
4



5



6



FINISHED

PAGE 7/7