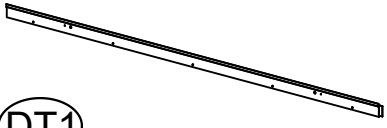



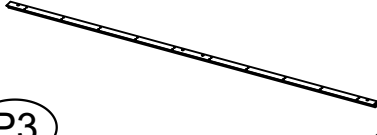
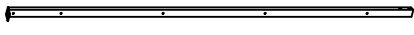


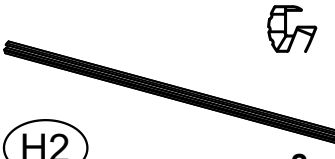

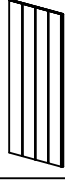







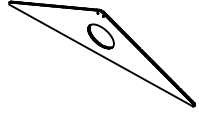
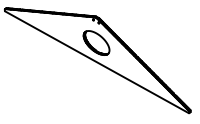





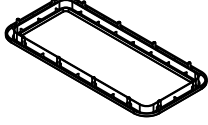

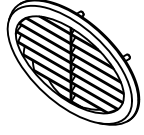

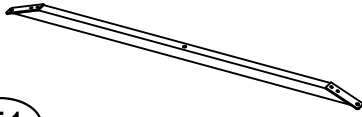

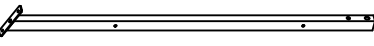













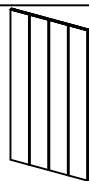

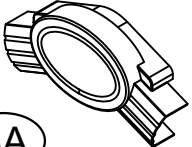
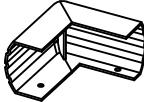
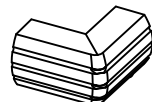
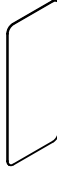

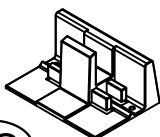
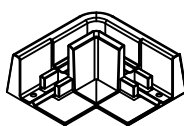

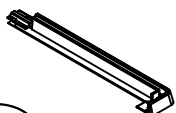
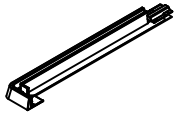
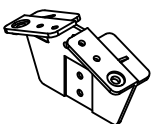
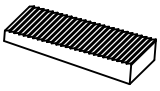
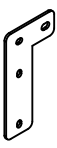
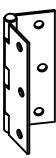

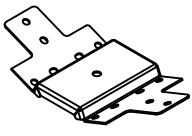


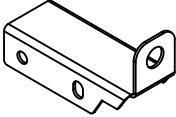






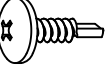






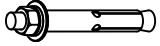
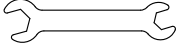


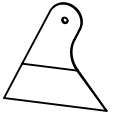
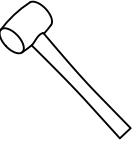

Parts List (Box 1)

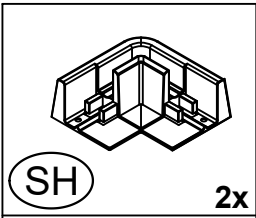
 (DT1) 1x	 (DR) 1x	 (DL) 1x	
 (DM) 1x	 (P3) 2x	 (U4) 2x	
 (D2) 2x	 (F2) 2x	 (H2) 2x	 (N1) 1x
 (B1) 2x	 (B2) 1x	 (B3L) 1x	 (B3R) 1x
 (B4L) 2x	 (B4R) 2x	 (B5L) 1x	 (B5R) 1x
 (B6A) 1x	 (B6B) 1x	 (B7) 1x	 (B7B) 1x
 (B8) 1x	 (B8B) 1x	 (SEI) 4x	 (SEO) 4x
 (SFI) 2x	 (SFO) 2x		

Parts List (Box 2)

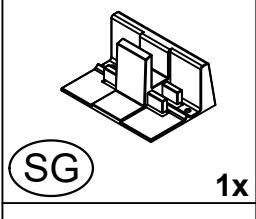
 (R1) 2x	 (T1) 1x	 (U3A) 4x	
 (U3B) 2x	 (U3C) 2x	 (D1) 2x	
 (E1) 1x	 (FIL) 1x	 (FIR) 1x	 (F3L) 1x
 (F3R) 1x	 (G1) 2x	 (J1) 4x	 (K1) 4x
 (Q4) 2x			
 (A2A) 4x	 (A2B) 4x	 (C1) 4x	 (C4) 4x
 (SA) 2x	 (SCA) 2x	 (SCB) 2x	 (SE) 4x
 (SD) 1x	 (SG) 1x	 (SH) 2x	 (SK) 1x
 (SIL) 1x	 (SIR) 1x	 (SJ) 2x	 (SP) 2x
 (X1) 2x	 (X2) 6x	 (X3) 1x	 (X4) 1x

Parts List (Box 2)

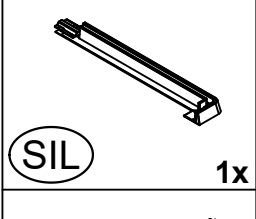
 X5 6x	 X6 1x	rubber sealing strip  X7 1x	
 1 ST3.8x12 67x	 2 ST3.8x14 183x	 3 ST3.8x12 34x	 4 ST4.8x32 64x
 5 ST4.2x16 5x	 6 ST2.8x12 54x	 7 M6x15 20x	 8 M6x40 20x
 9 M6 20x	 10 M8x45 1x	 11 M6 20x	 12 M8x80 6x
TOOL:	 Y1 1x	 Y2 5MM 1x	 Y3 1x
 Y5 2x	 Y6 1x	 Y7 1x	



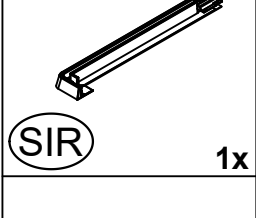
SH 2x



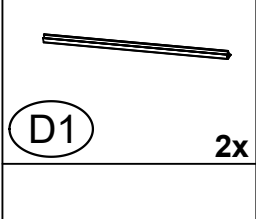
SG 1x



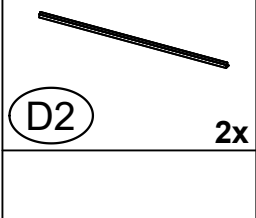
SIL 1x



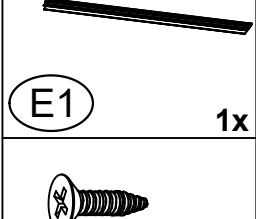
SIR 1x



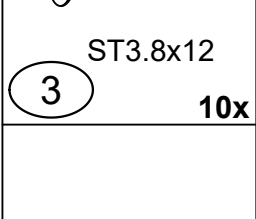
D1 2x



D2 2x

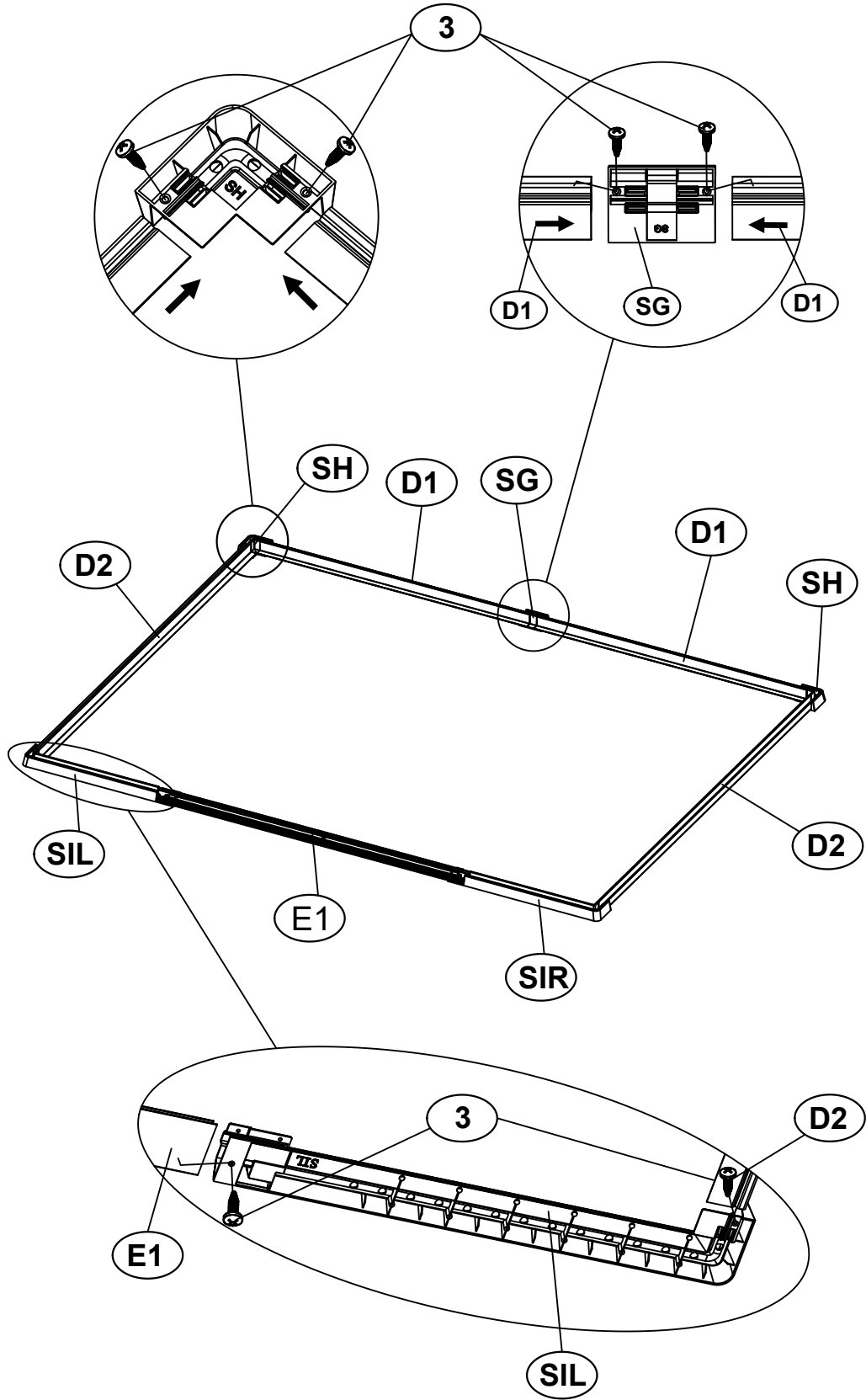


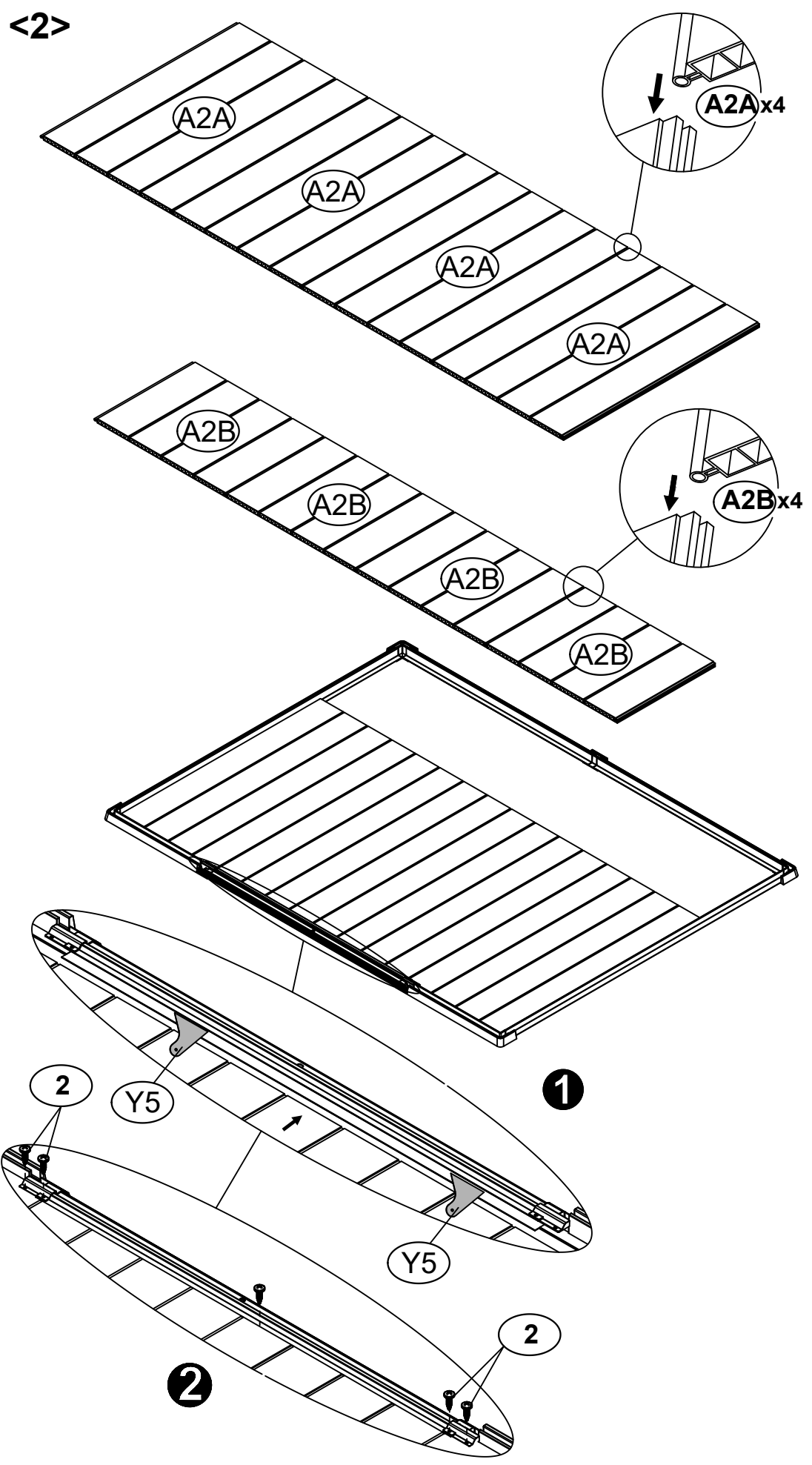
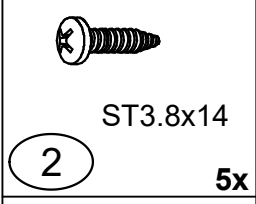
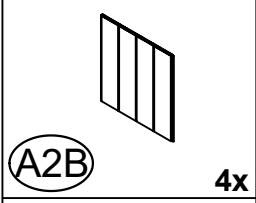
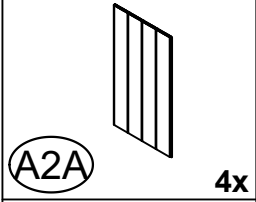
E1 1x

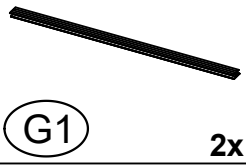


ST3.8x12
3 10x

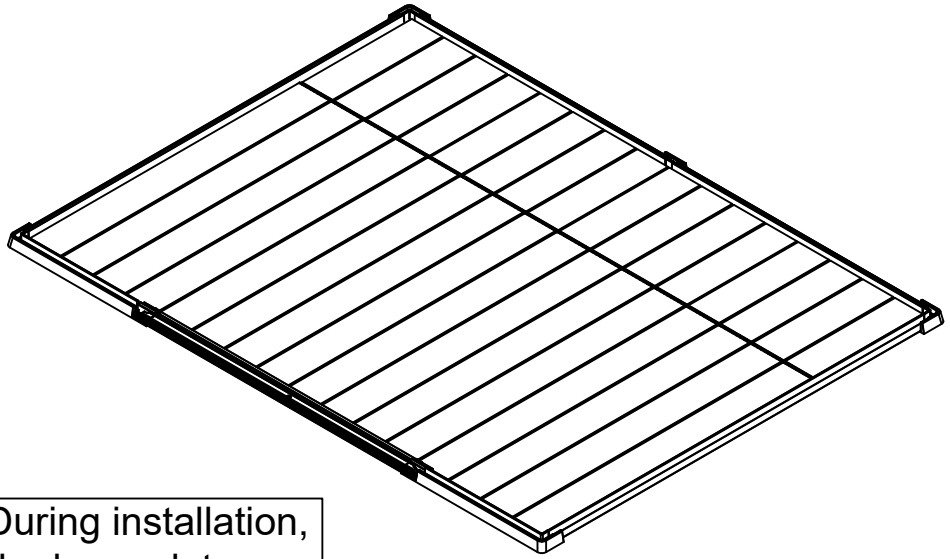
<1>



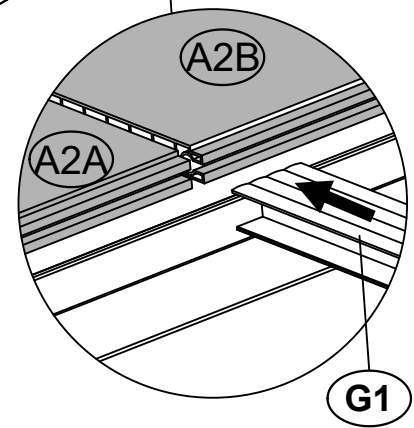
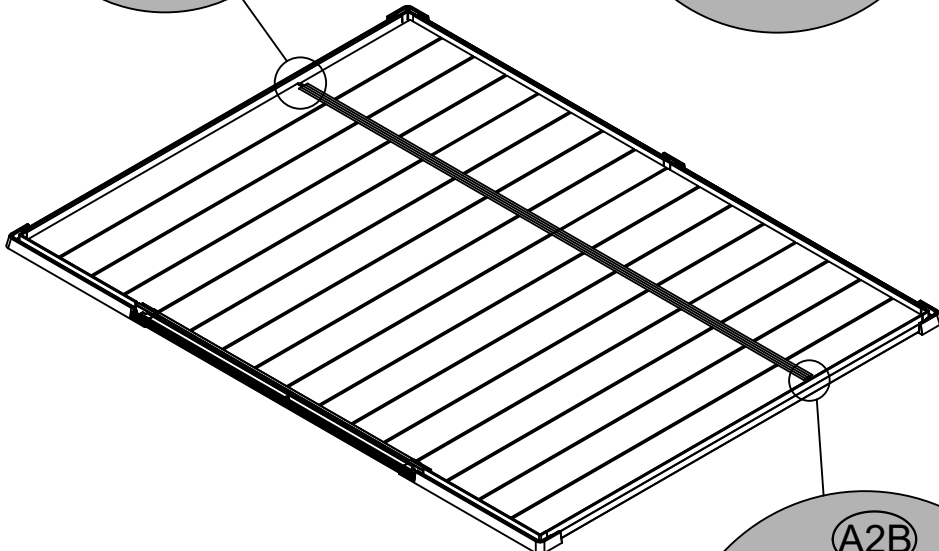
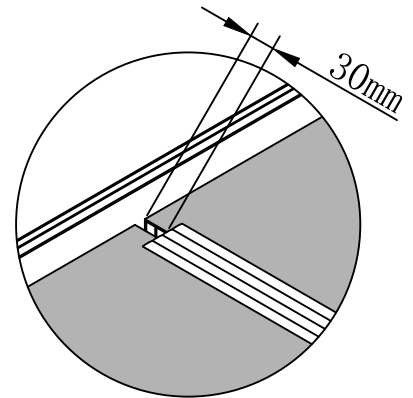
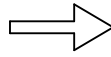
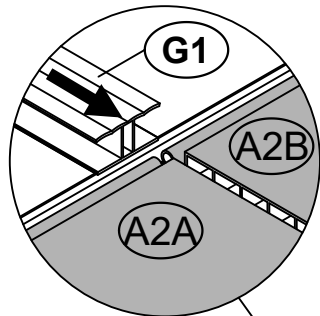




<3>



During installation,
the base plate
needs to be lifted



<4>



F3L

1x



F3R

1x



FIL

1x



FIR

1x



F2

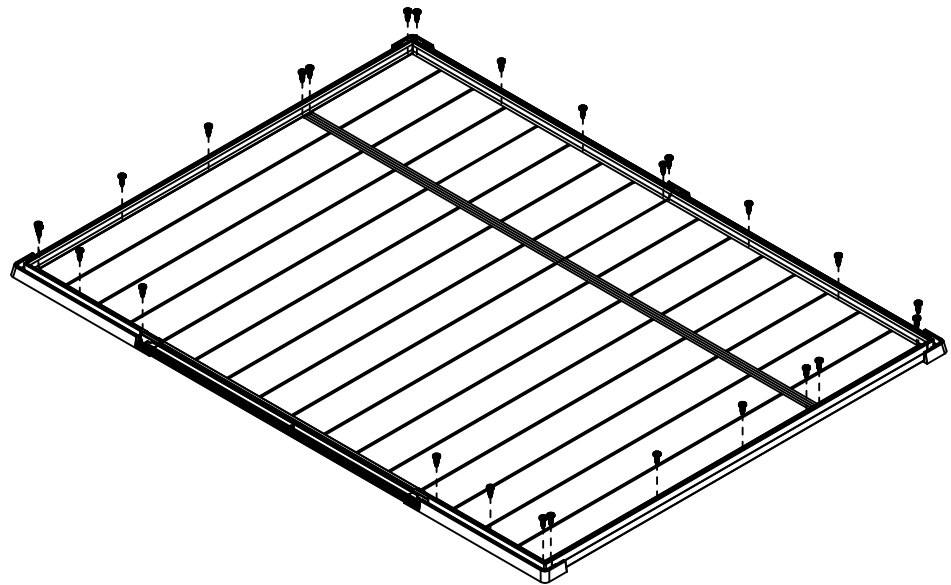
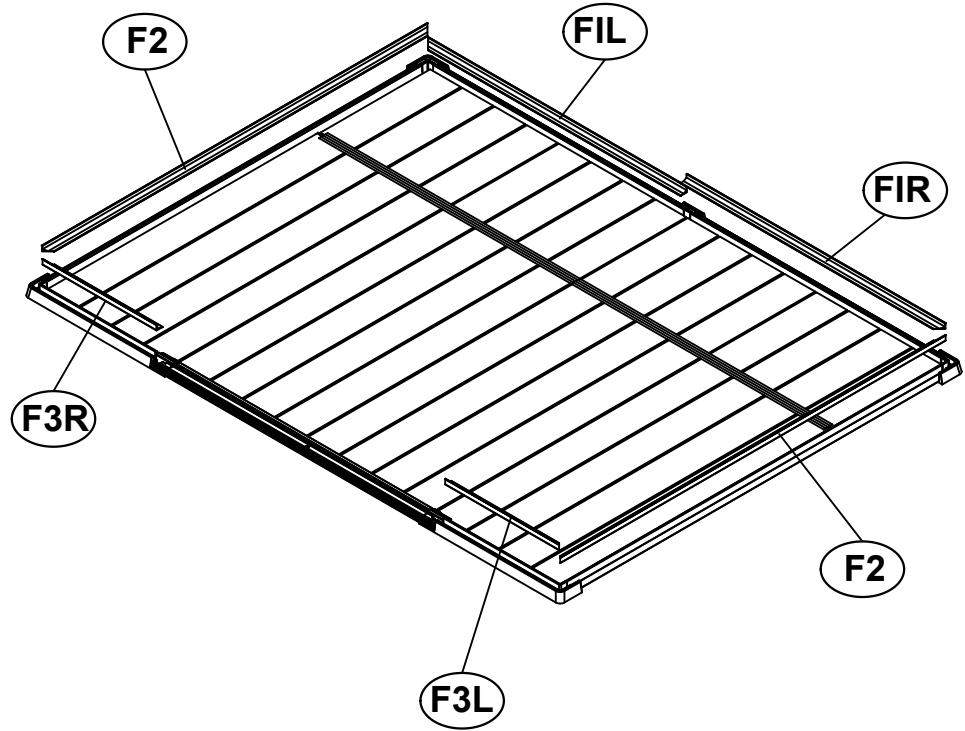
2x

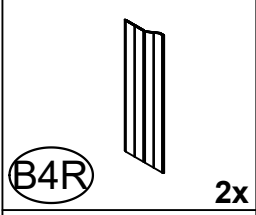
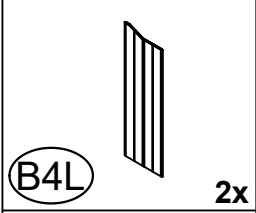


ST3.8x14

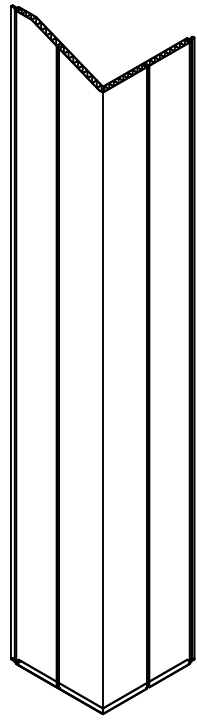
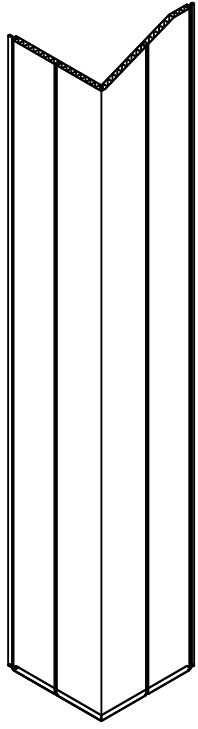
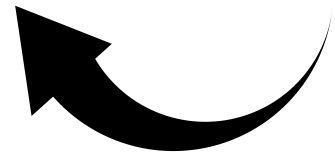
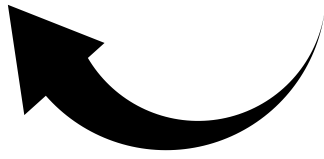
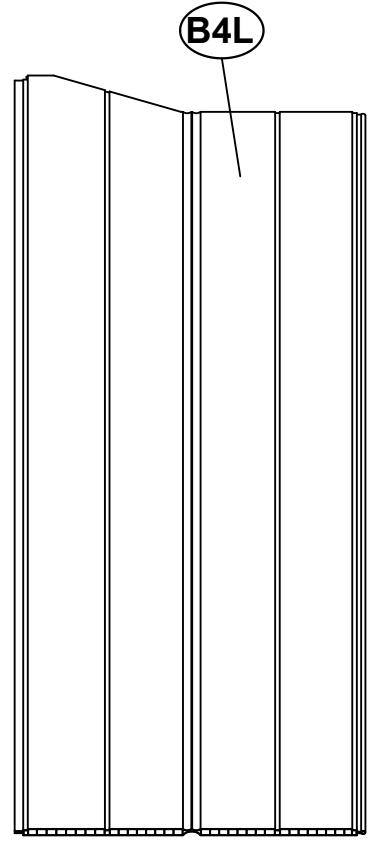
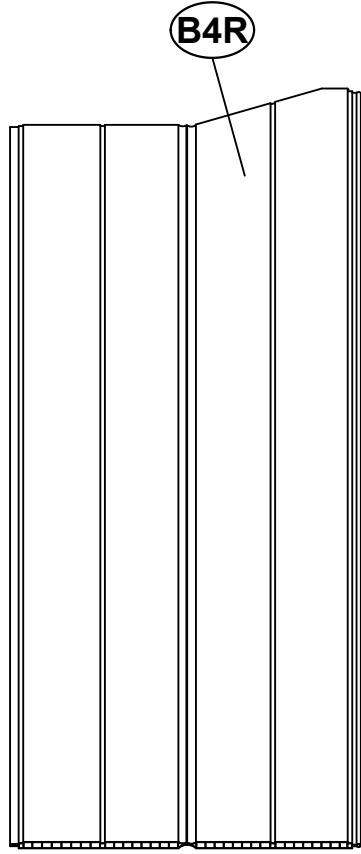
2

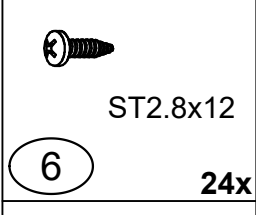
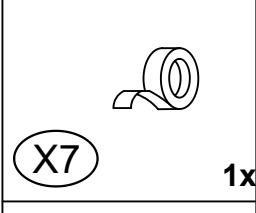
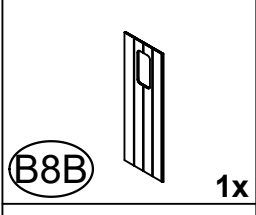
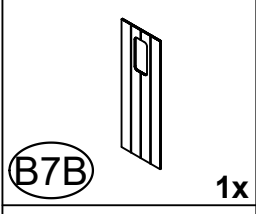
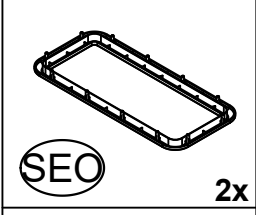
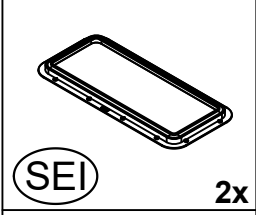
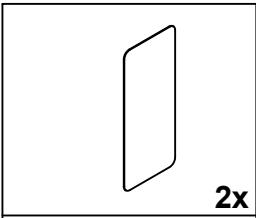
26x





<5>





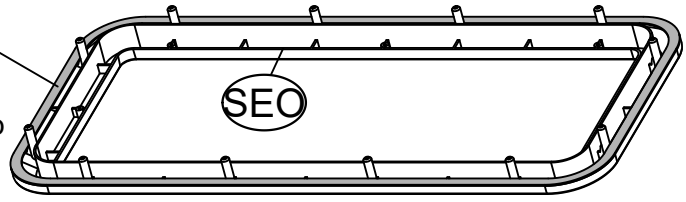
<6>

1

rubber
sealing strip

X7

SEO



2

6 x12

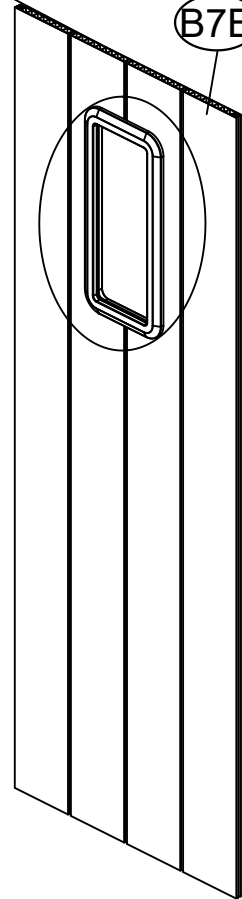
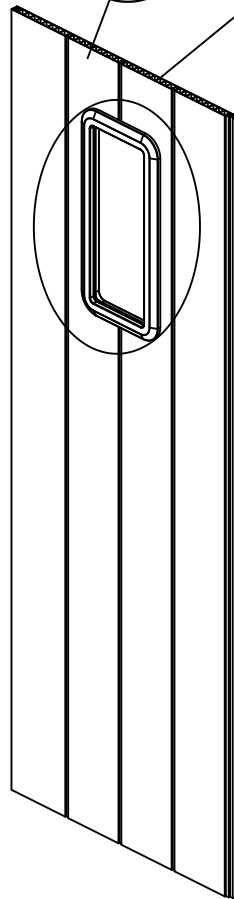
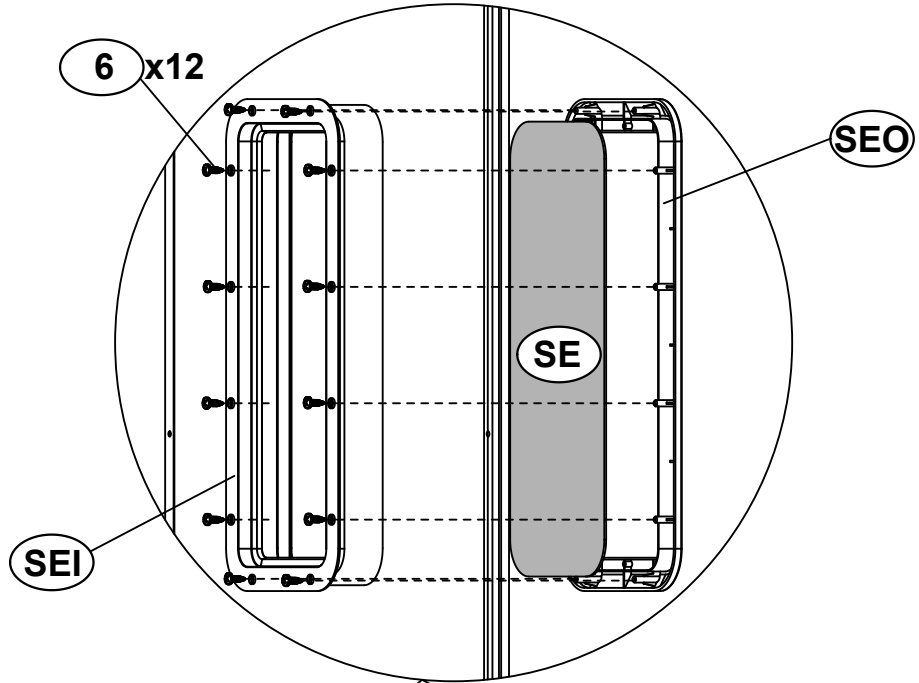
SEO

SEI

SE

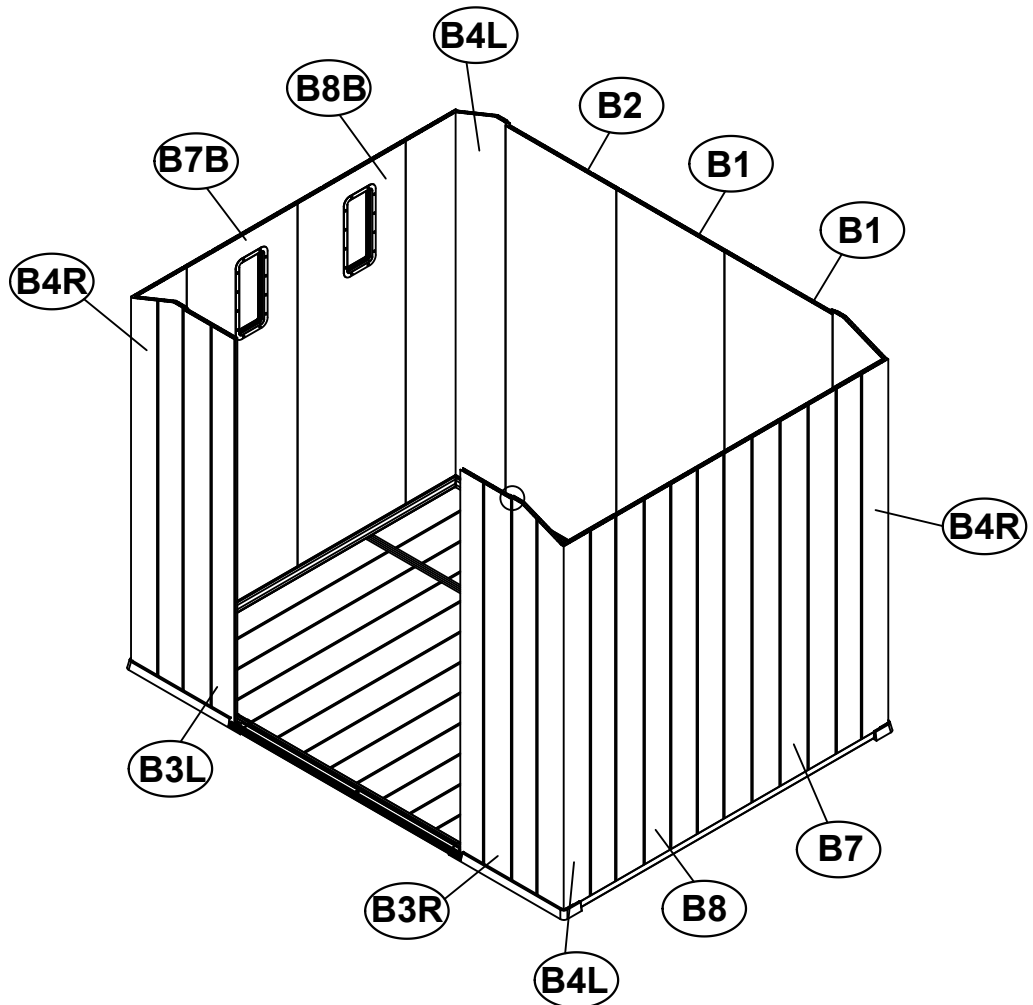
B8B

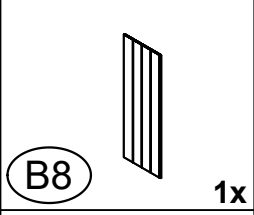
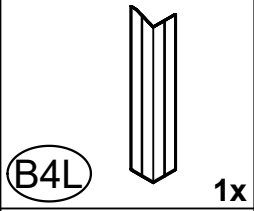
B7B



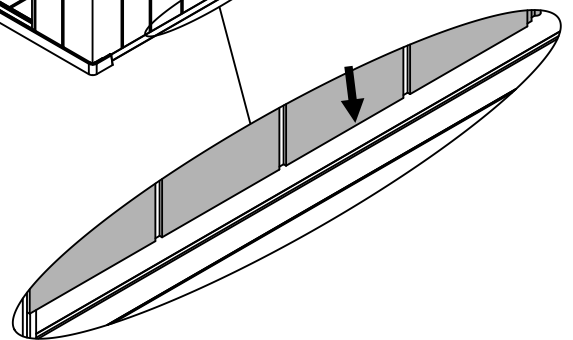
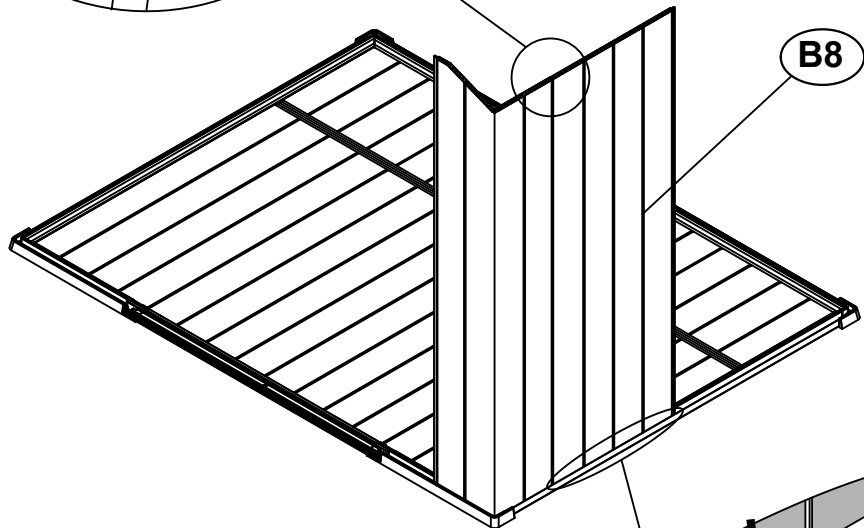
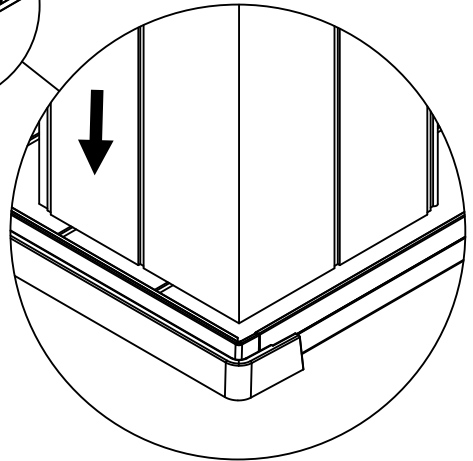
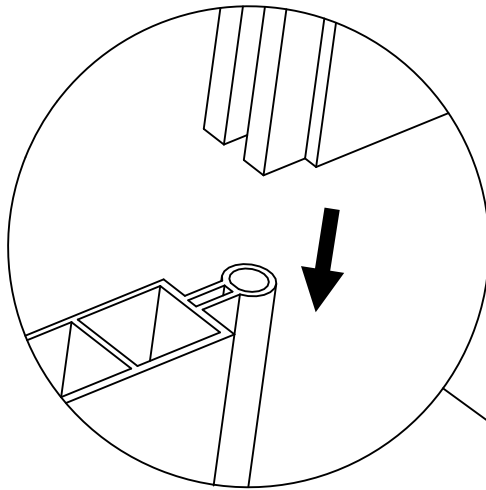
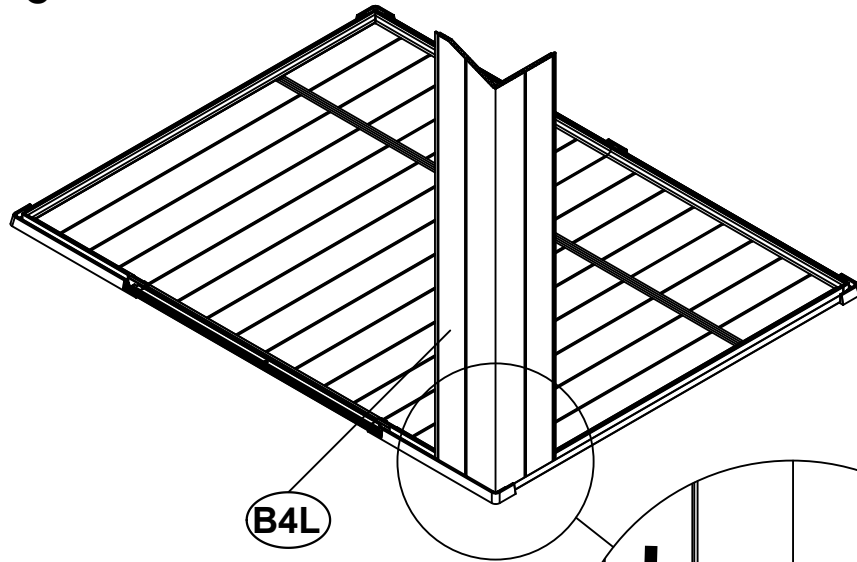
<7>

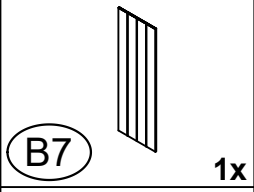
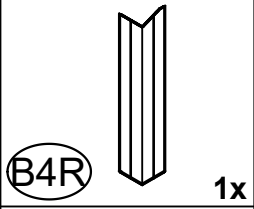
The parts #B7# & #B7B#, #B8# & #B8B# are interchangeable, please install in a suitable position according to lighting needs.



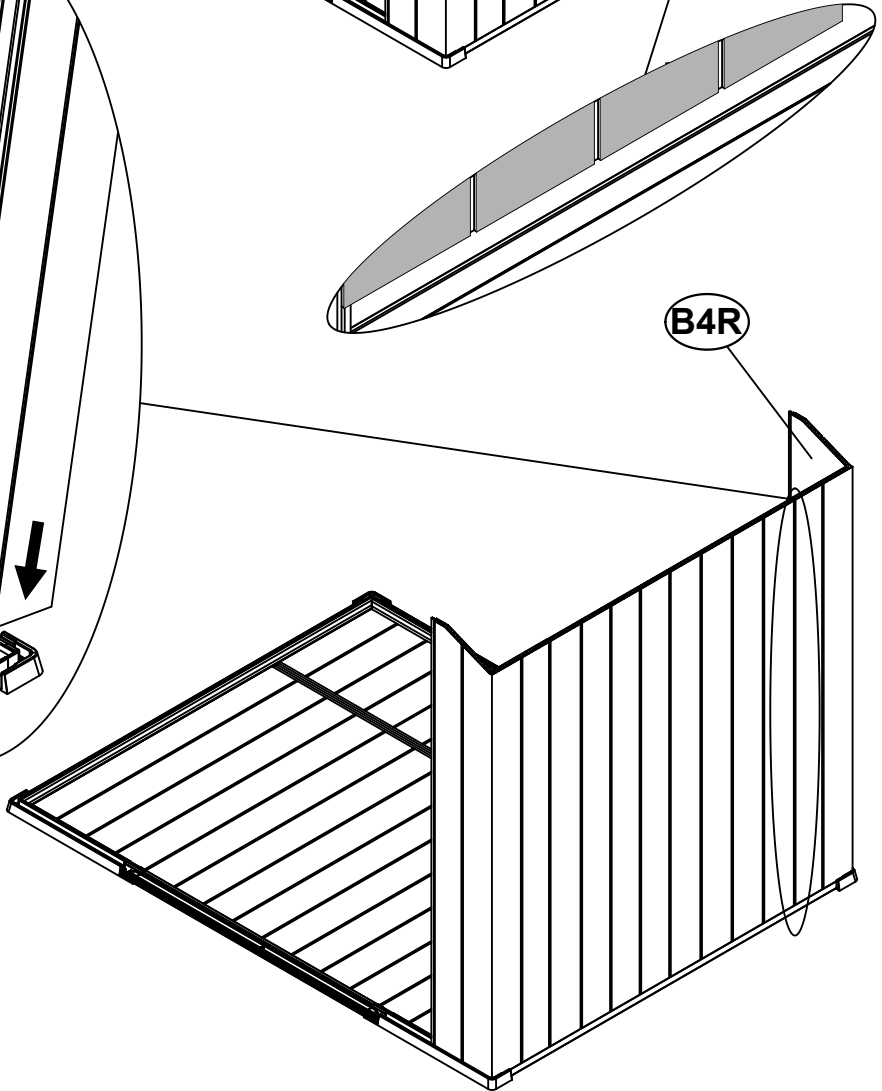
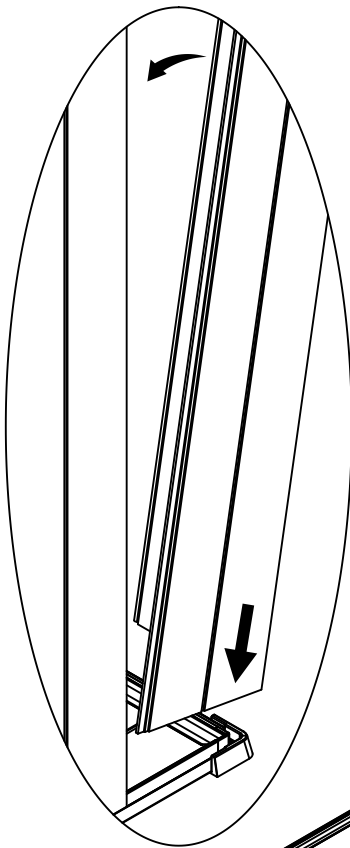
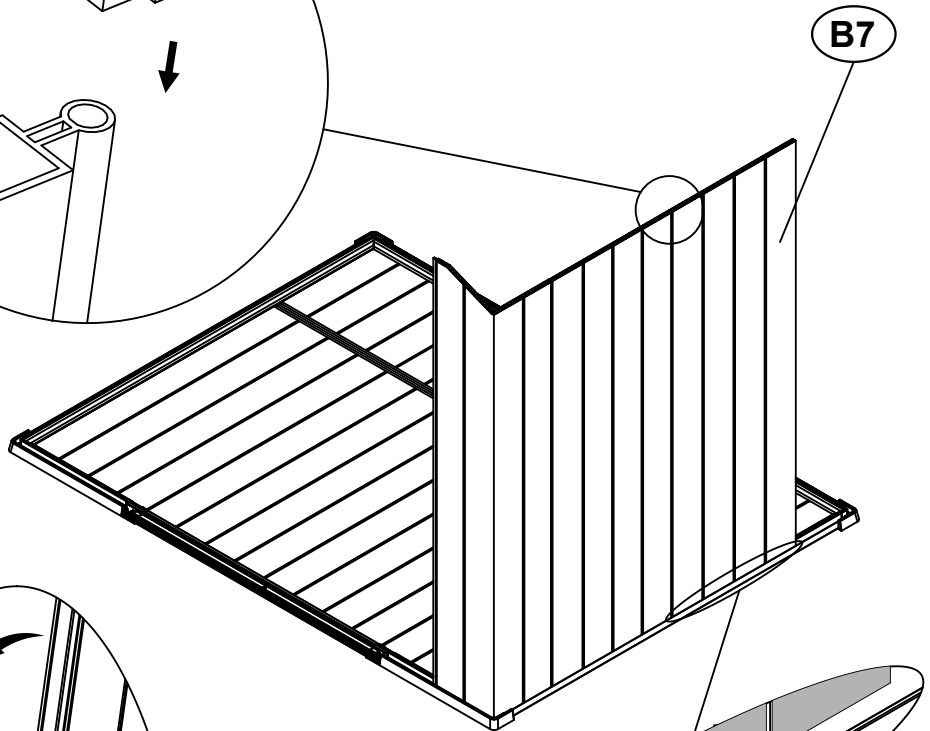
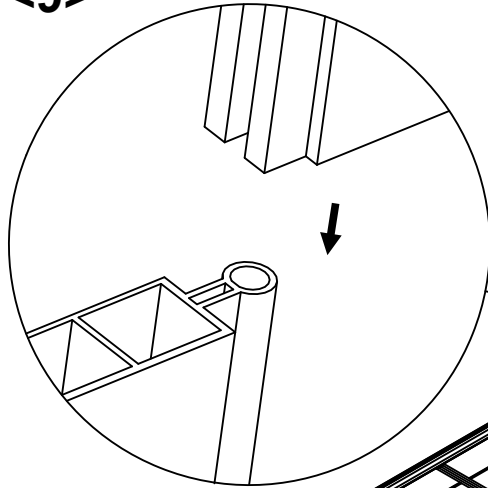


<8>

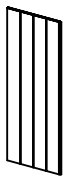




<9>



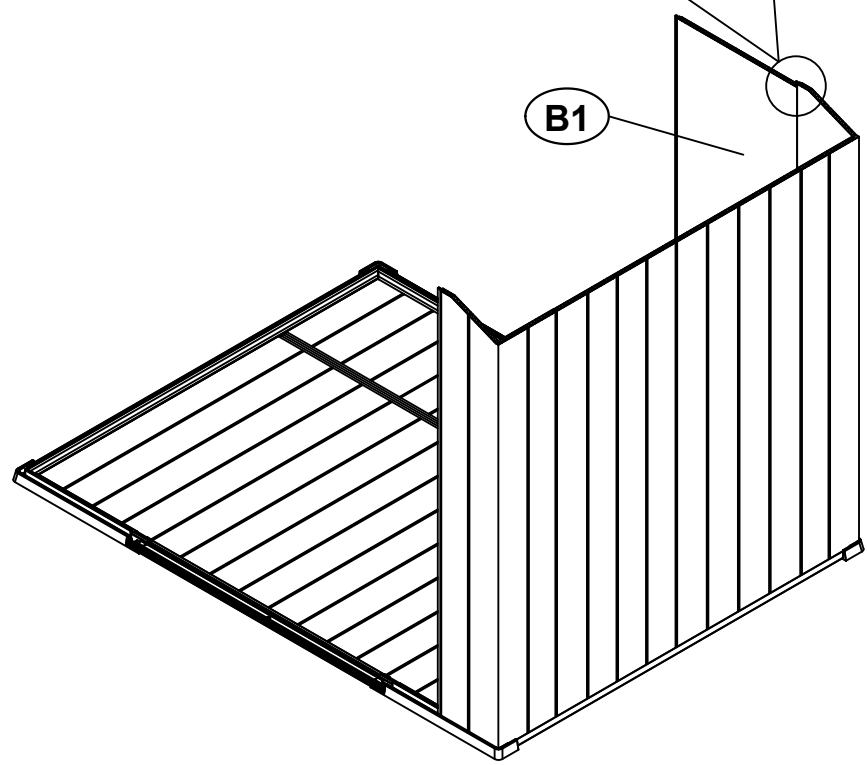
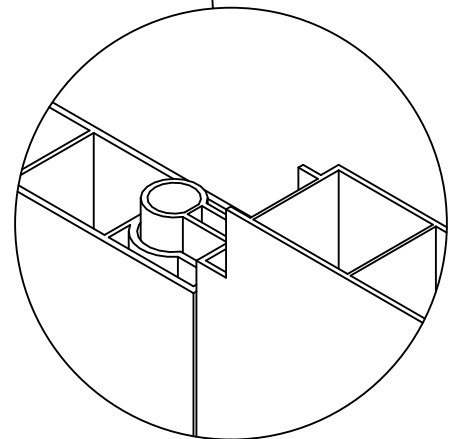
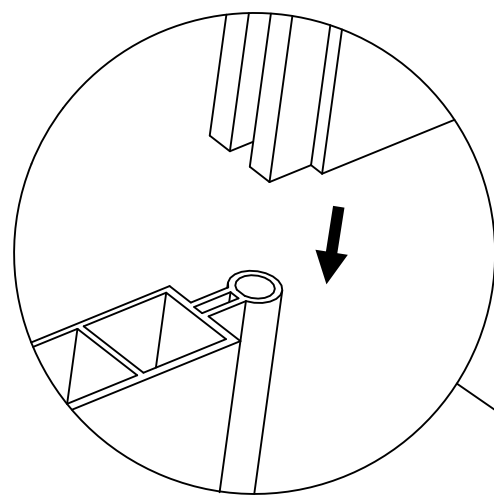
B1



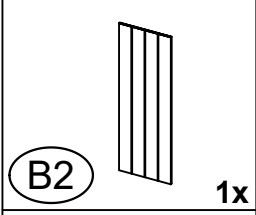
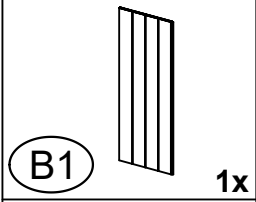
1x

<10>

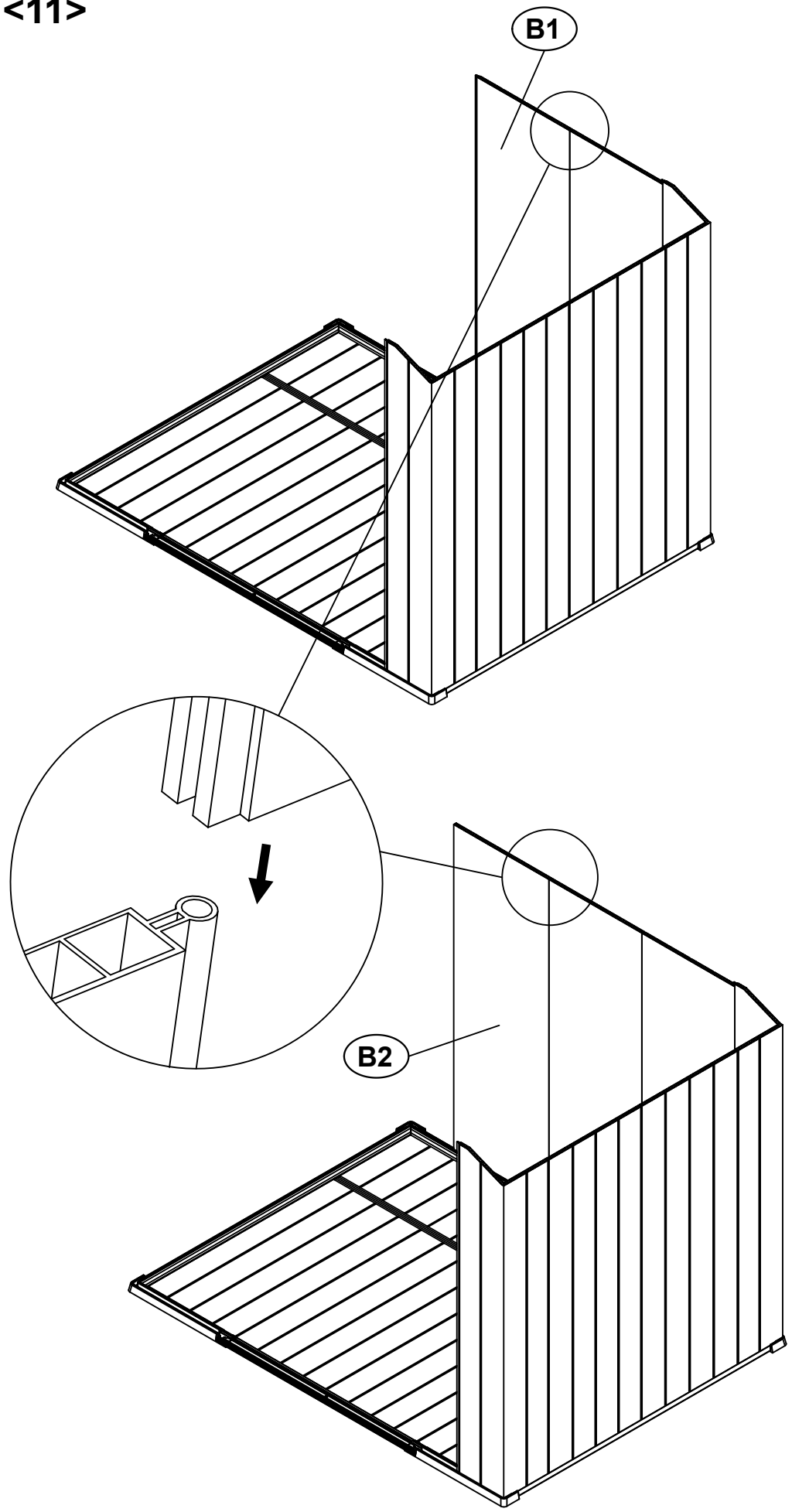
After installation here,
the top is uneven



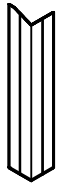
B1



<11>



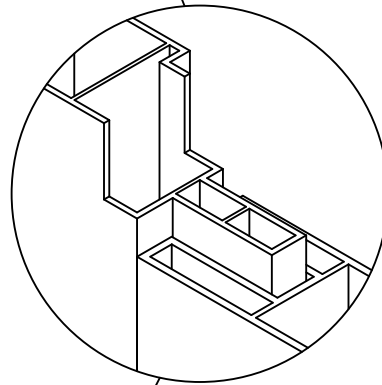
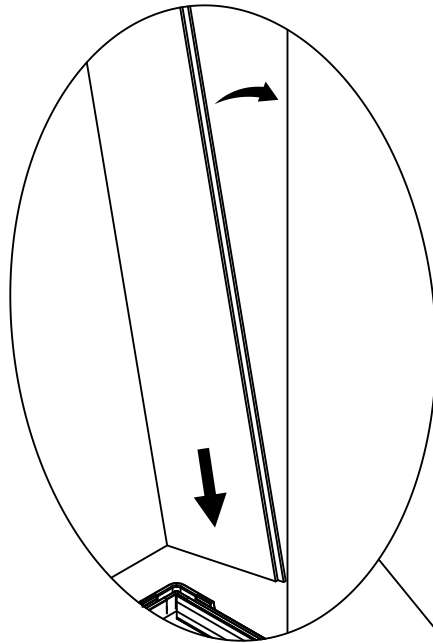
(B4L)



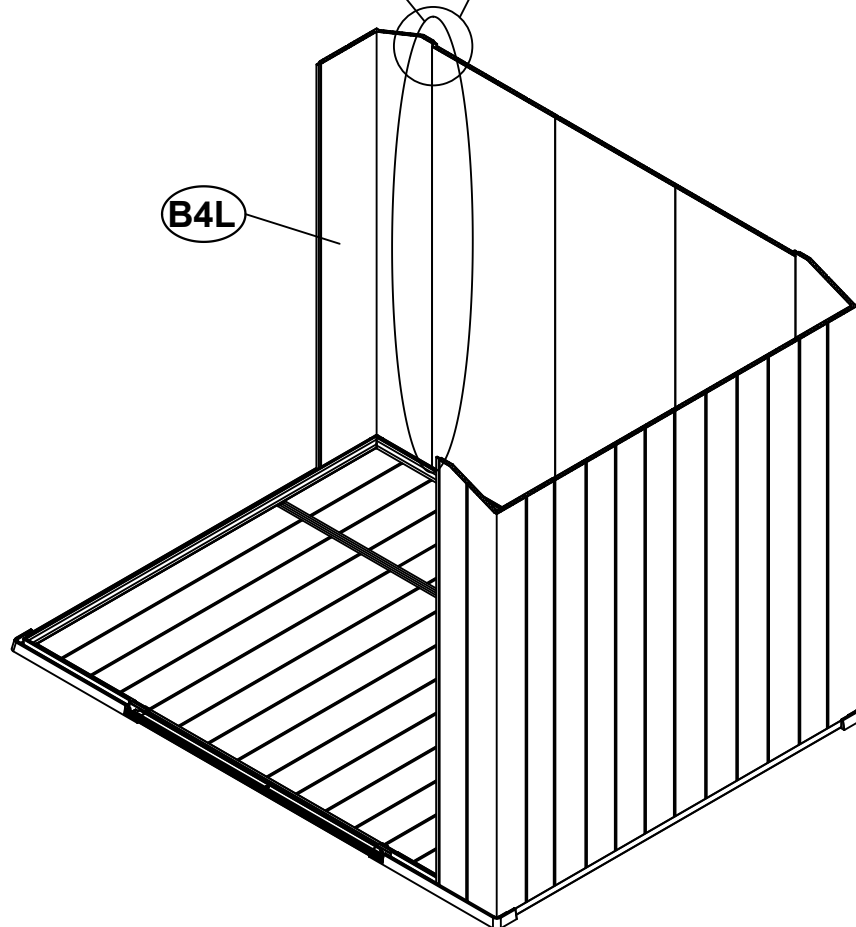
1x

<12>

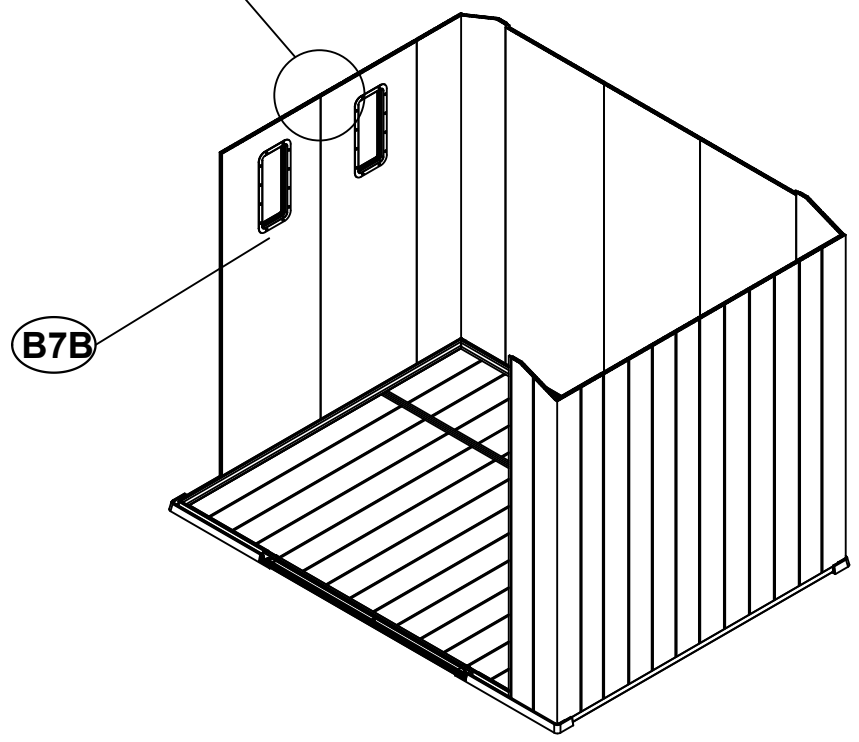
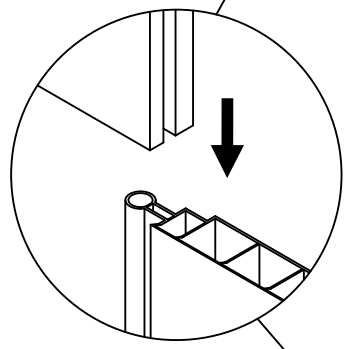
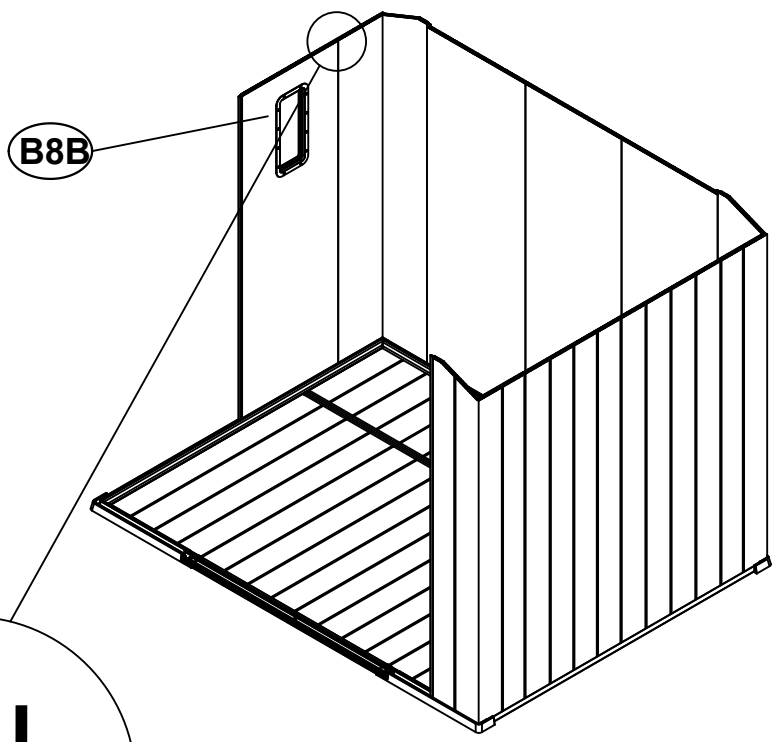
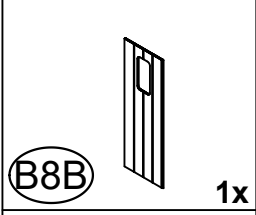
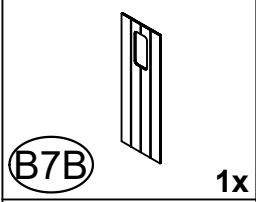
After installation here,
the top is uneven



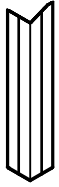
(B4L)



<13>

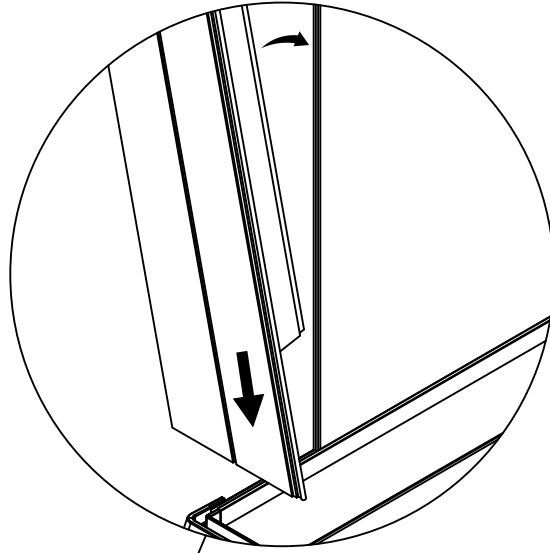


(B4R)

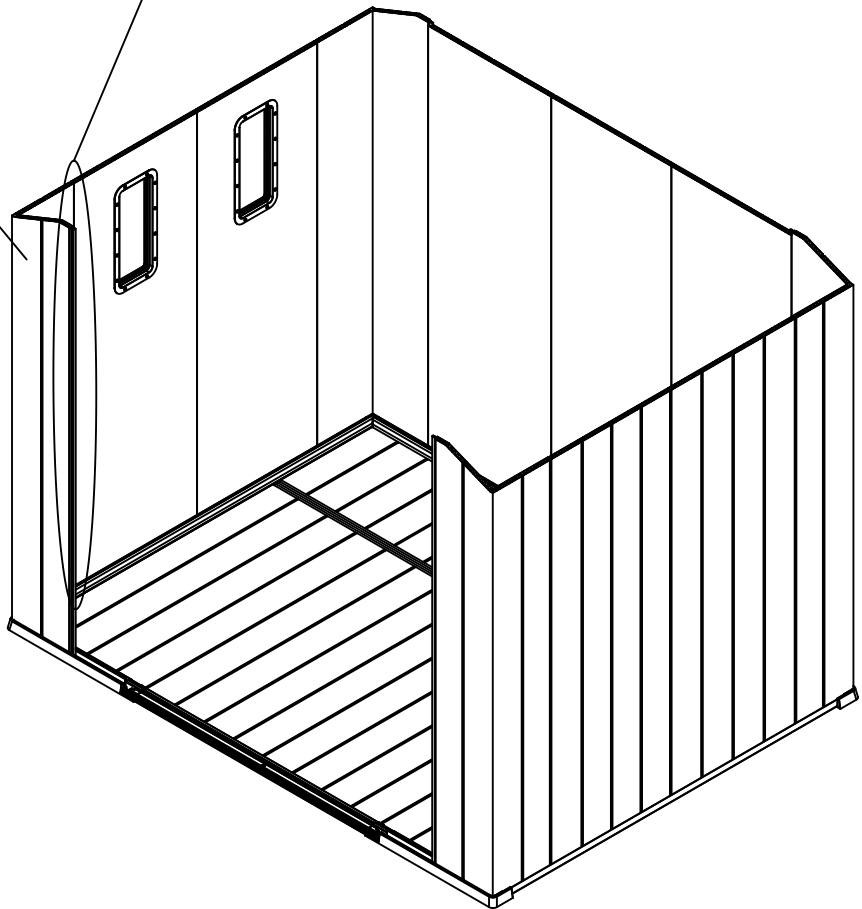


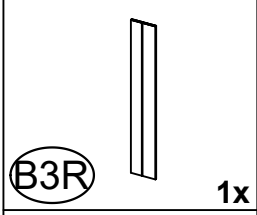
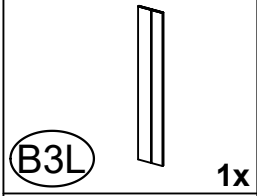
1x

<14>



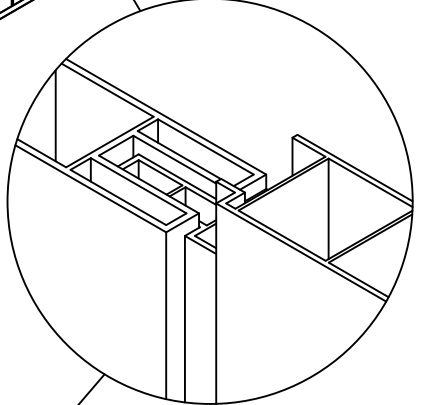
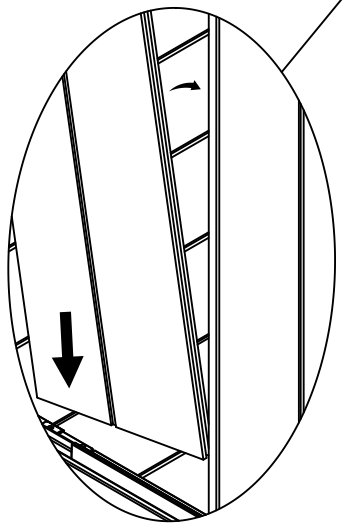
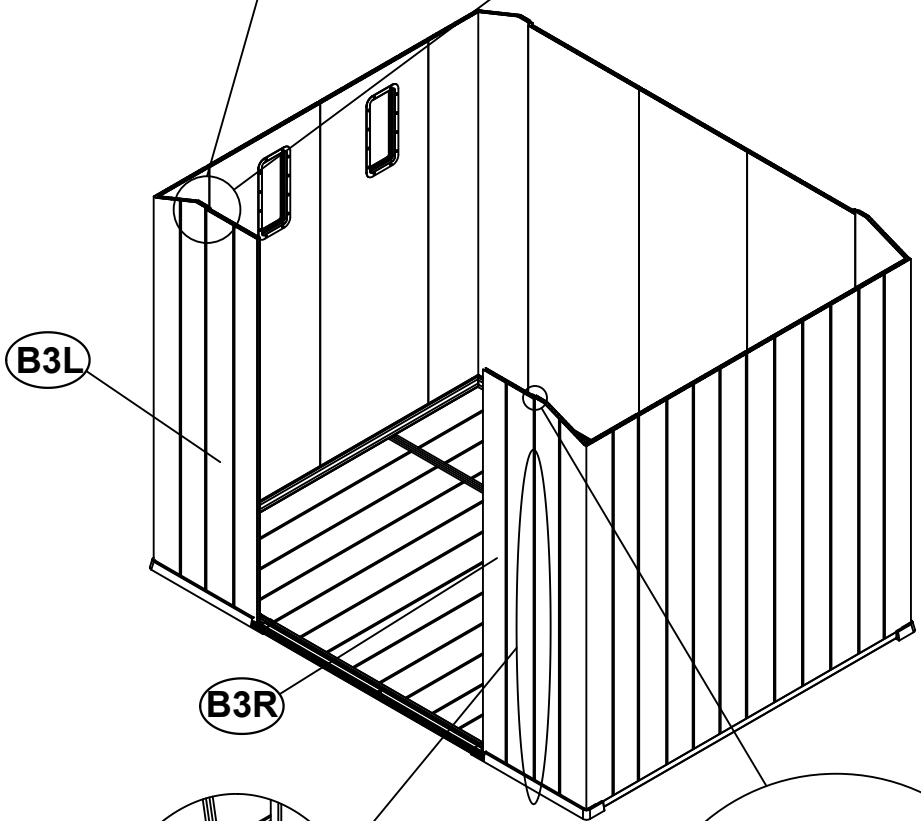
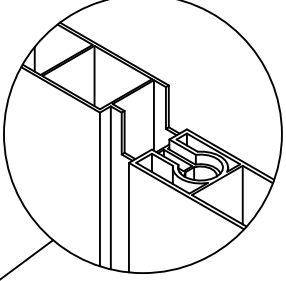
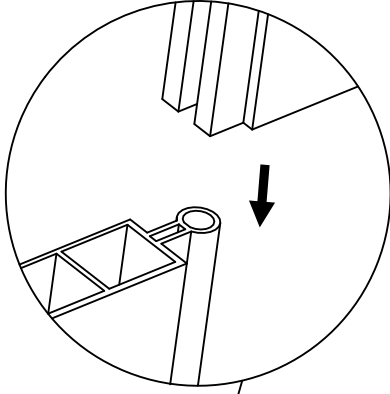
(B4R)





<15>

After installation here, the top is uneven



After installation here, the top is uneven

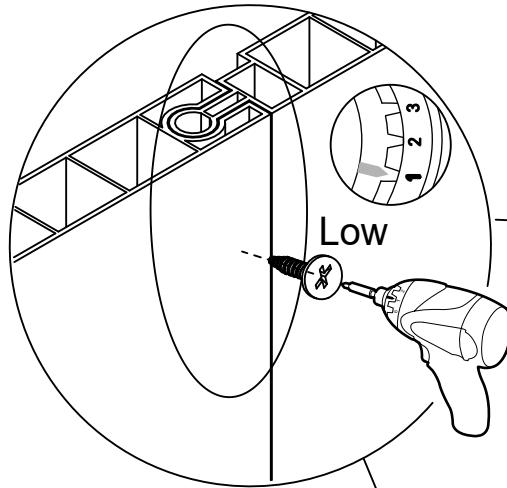


ST3.8x12

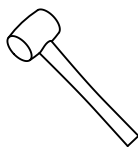
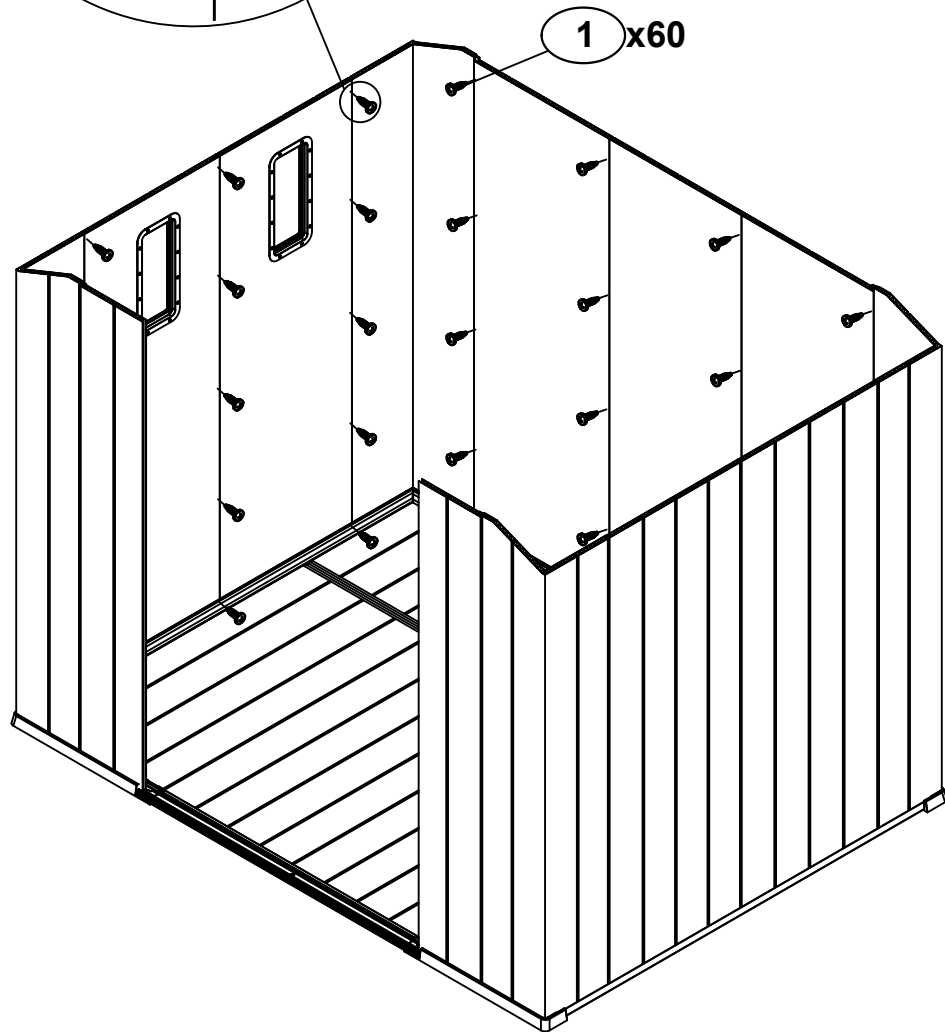
1

60x

<16>

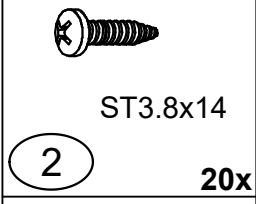
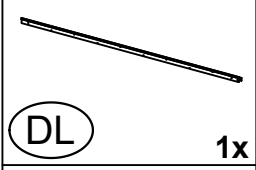
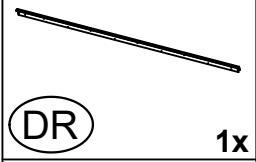


The screw is screwed in at the junction of the board



Tool:

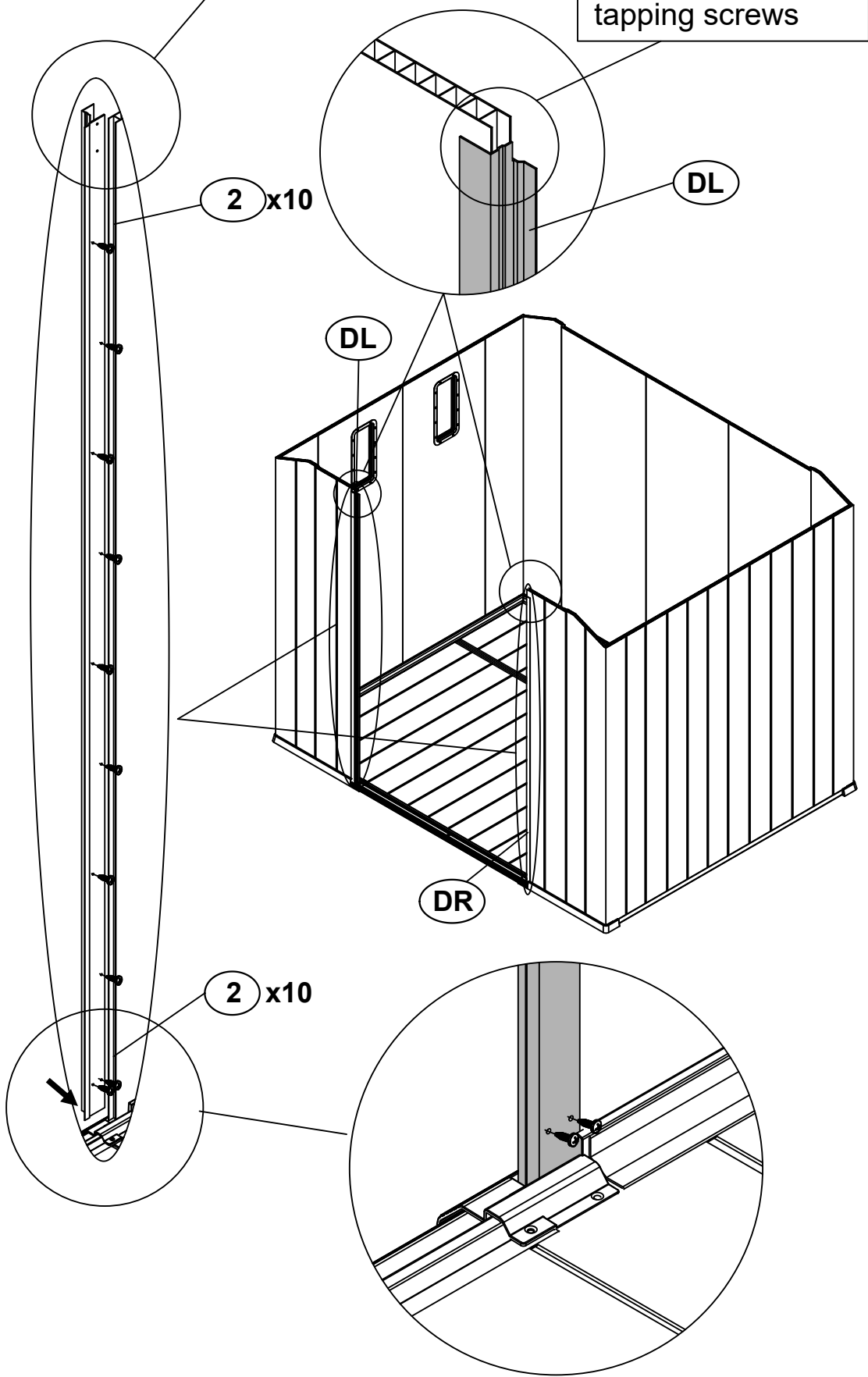
When screwing in self tapping screws, pay attention to keeping the connection points on the same plane except for the specially marked positions



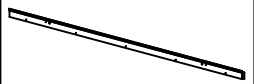


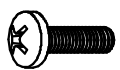
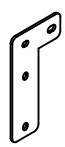
<17>

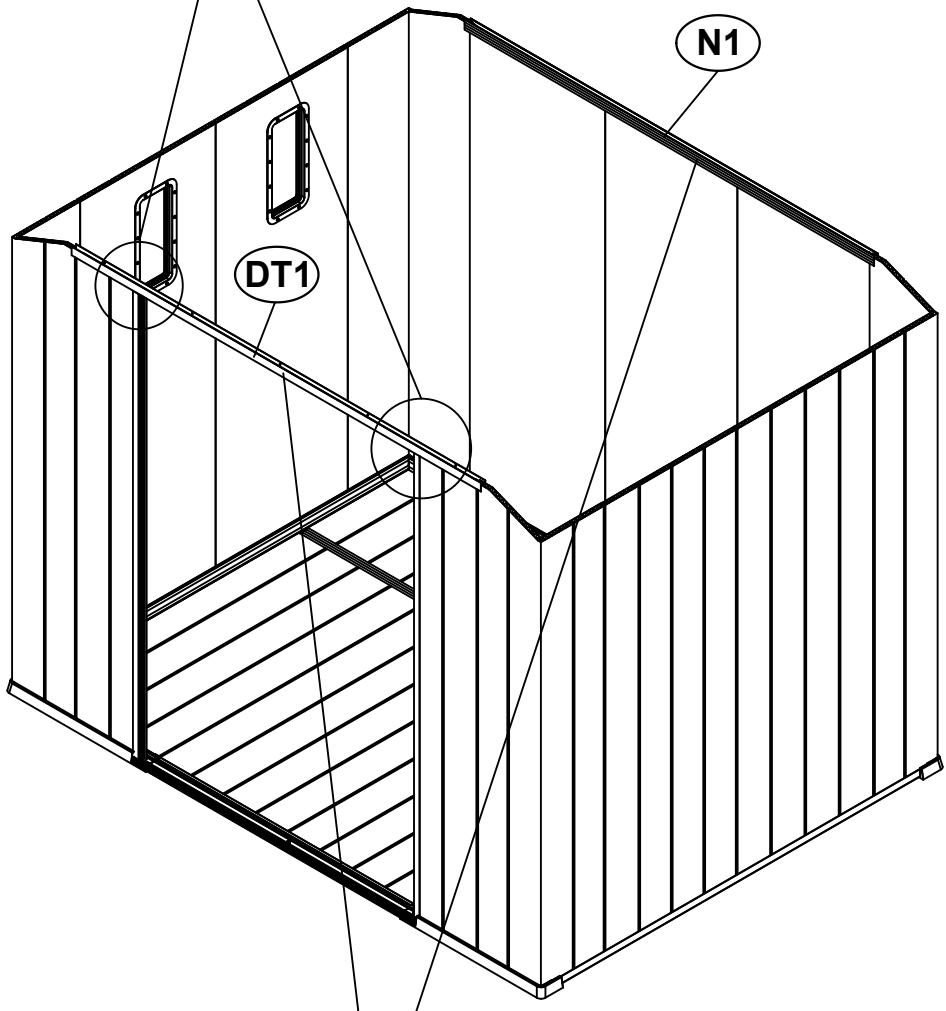
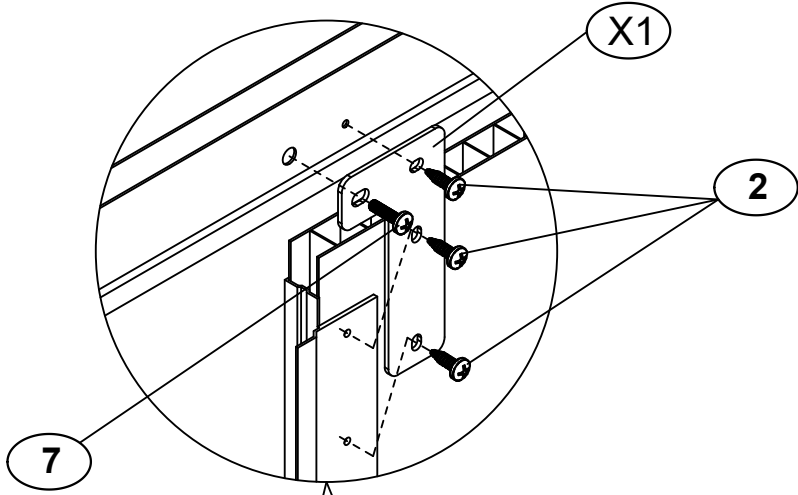
Do not screw the screw into the top hole first

Ensure proper installation before screwing in the self tapping screws

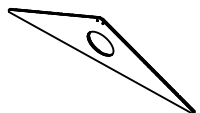
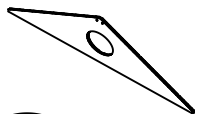
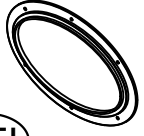





<18>

- 
(DT1) 1x
- 
(N1) 1x
- 
ST3.8x14
(2) 6x
- 
M6x15
(7) 2x
- 
(X1) 2x



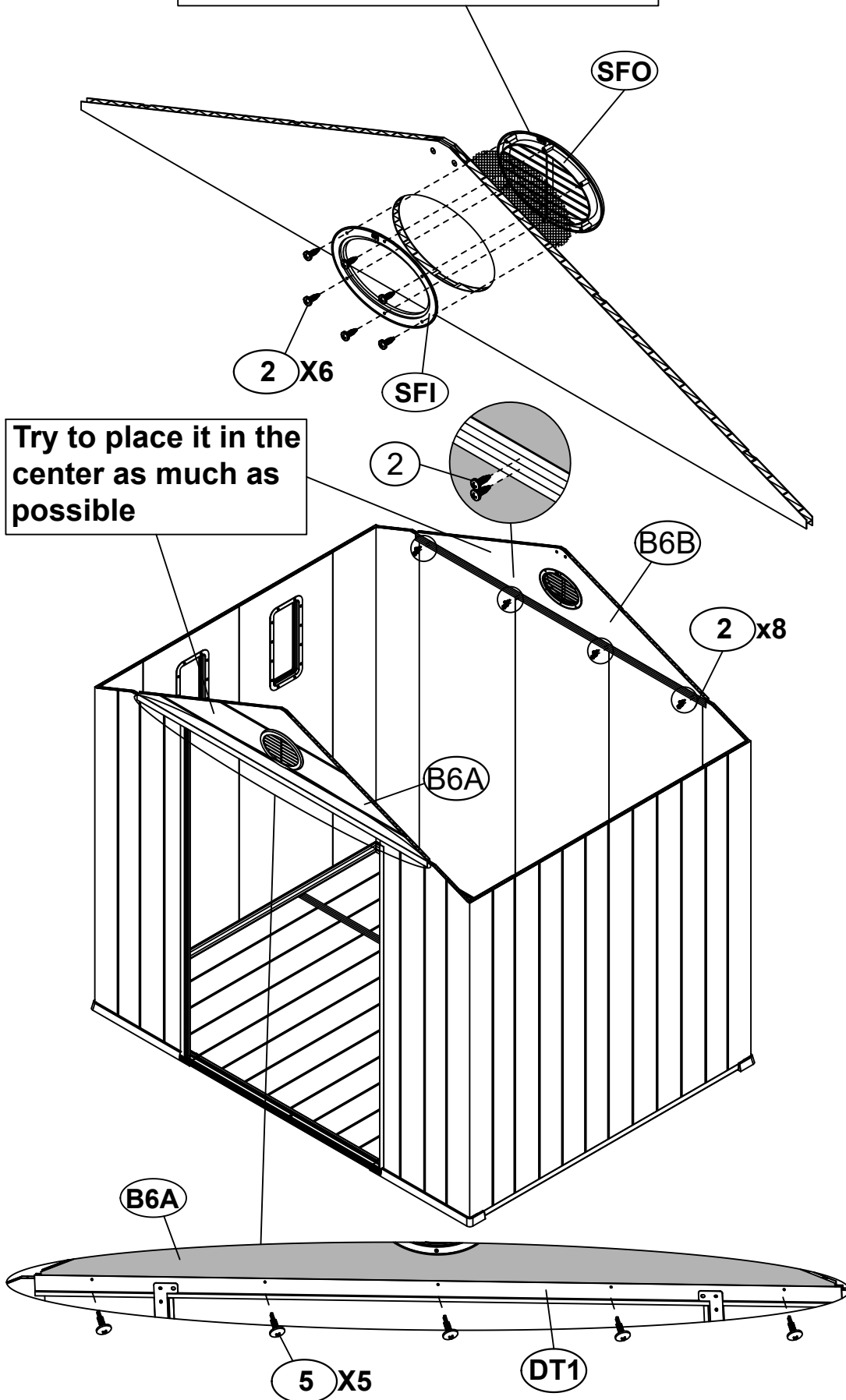
#DT1# and #N1# should be placed in the center as much as possible

-  **(B6A)** 1x
-  **(B6B)** 1x
-  **(SFI)** 2x
-  **(SFO)** 2x
-  **(2)** ST3.8x14 20x
-  **(5)** ST4.2x16 5x

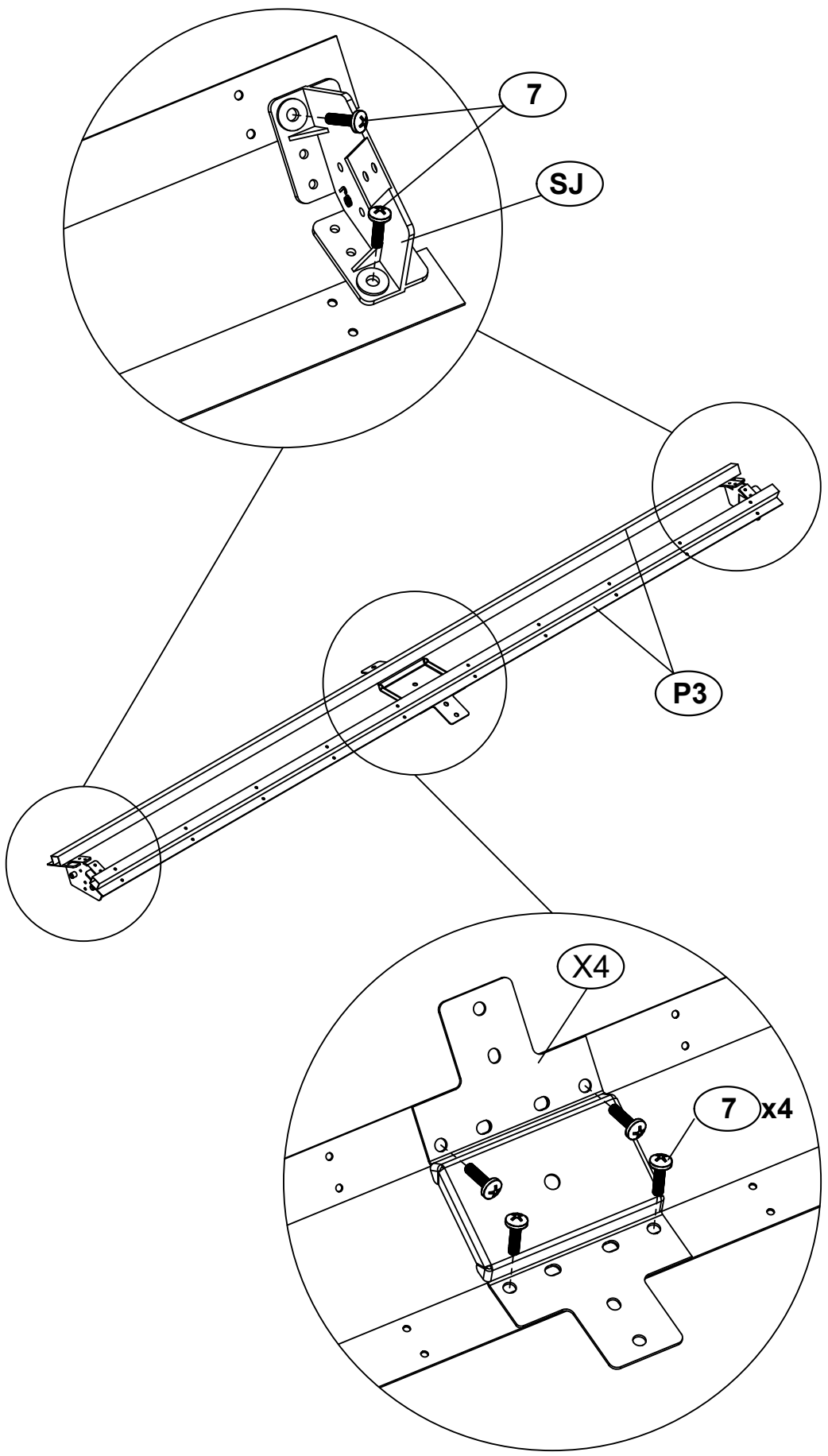
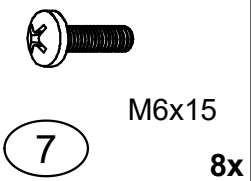
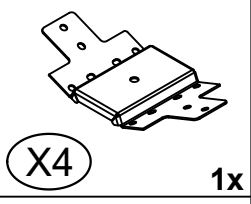
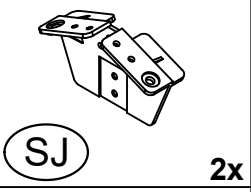
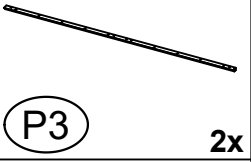
<19>

Pay attention to the direction of ventilation window, The wrong installation will cause water in the house.

Try to place it in the center as much as possible



<20>



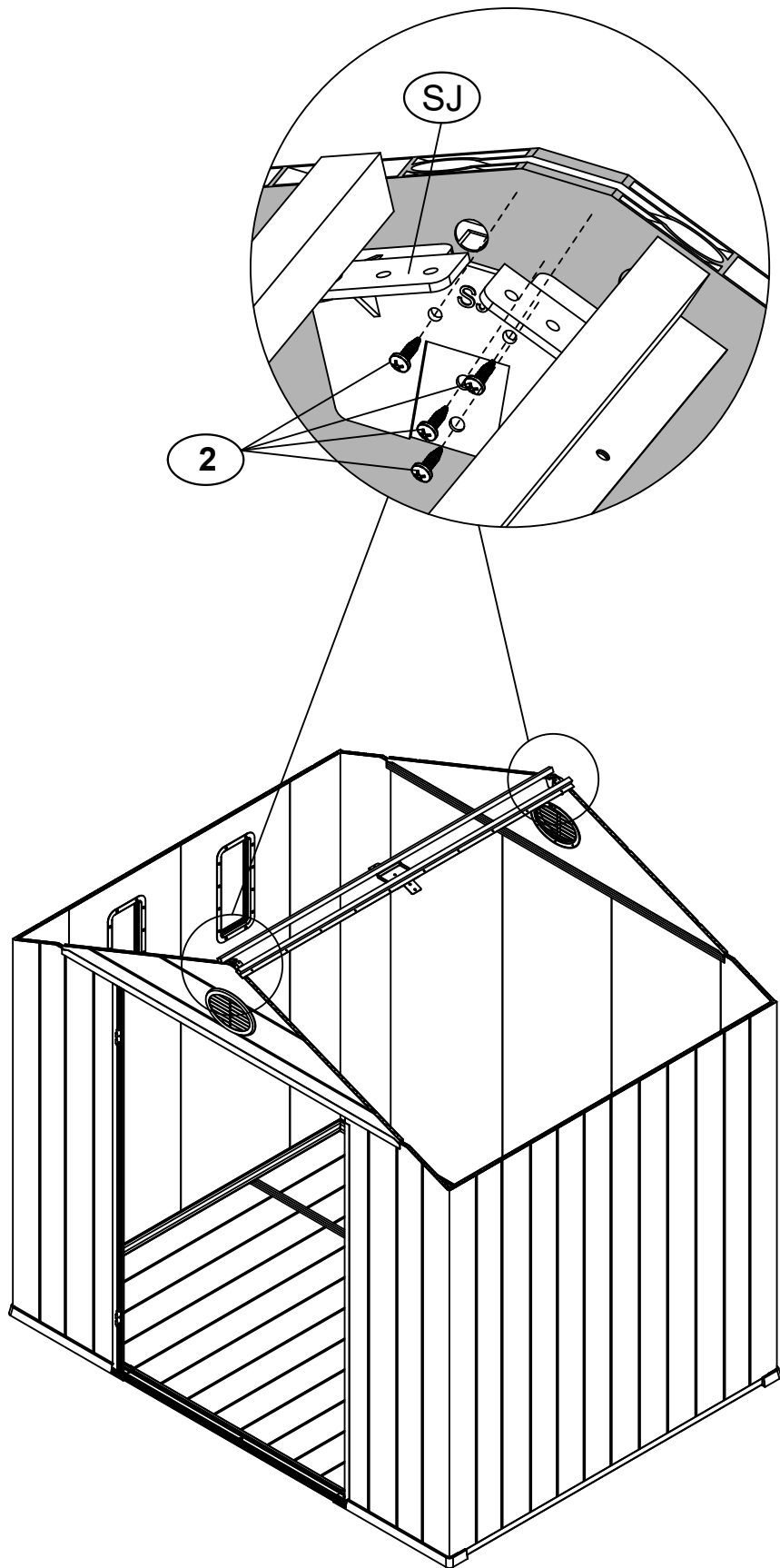


ST3.8x14





2

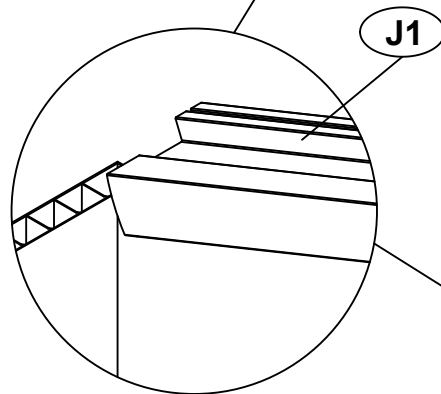
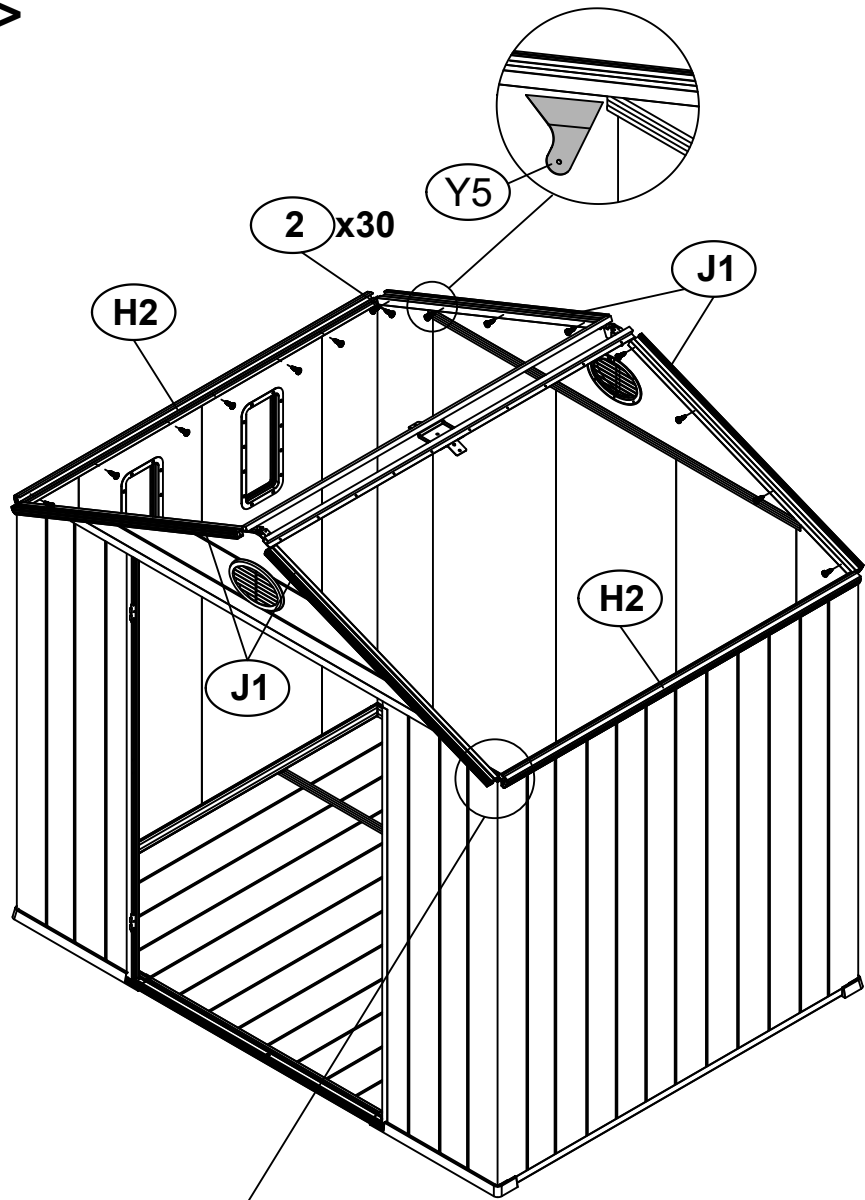
8x

<21>

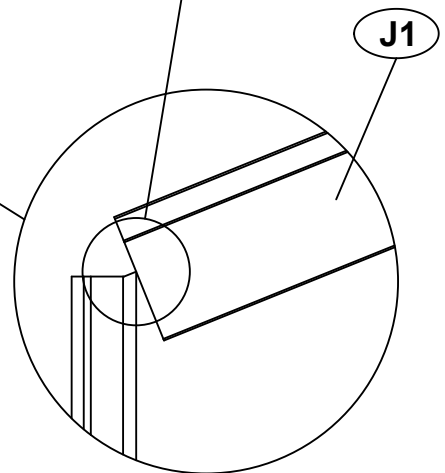


<22>

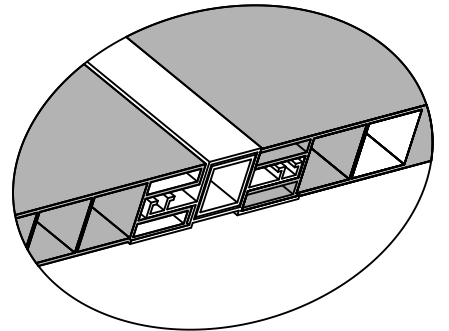
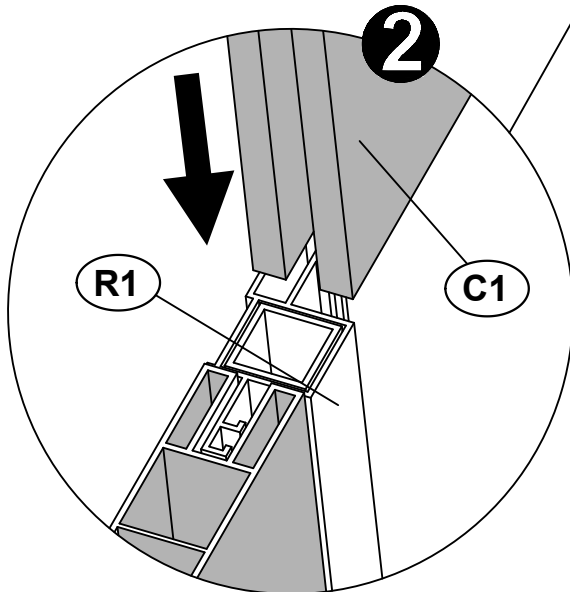
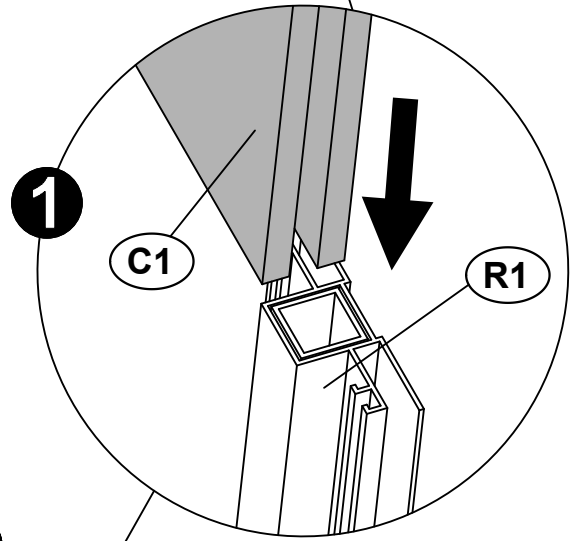
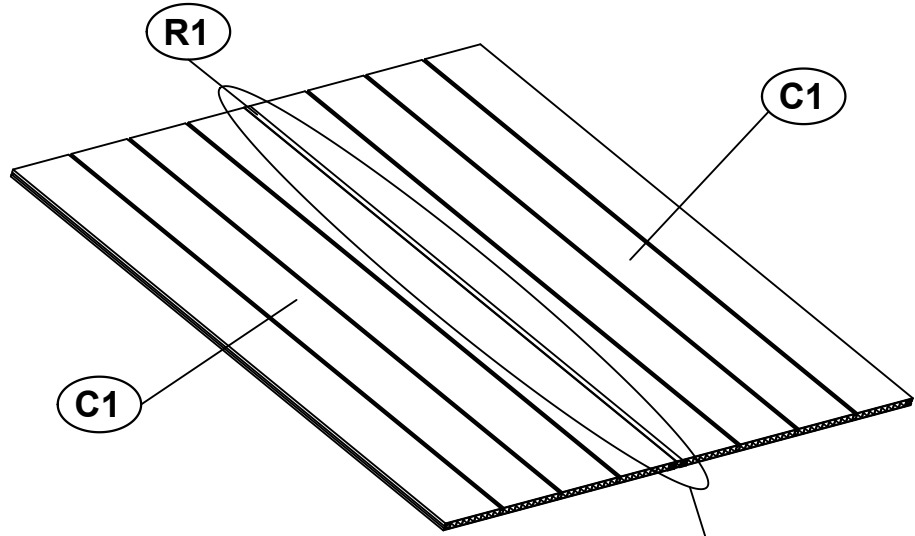
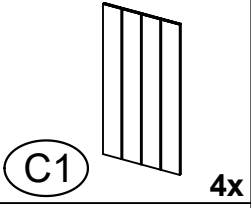
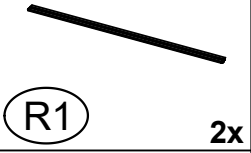
-  **H2** 2x
-  **J1** 4x
-  ST3.8x14
-  **2** 30x



#J1# is placed tightly against the bottom edge



<23>



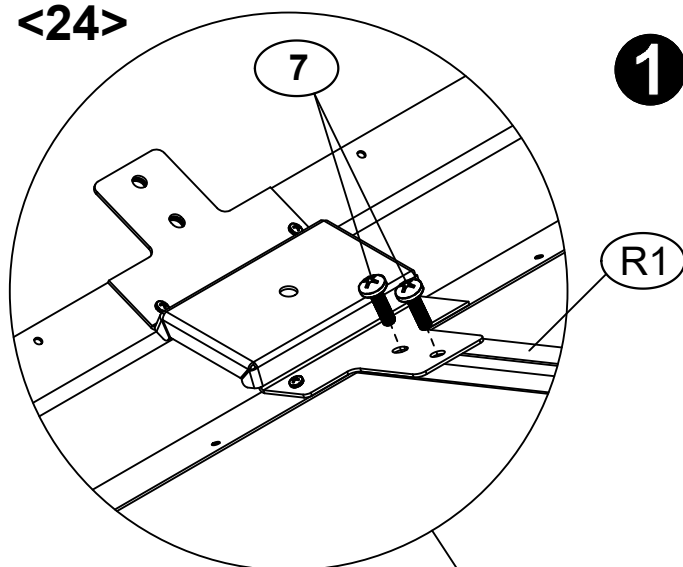


M6x15

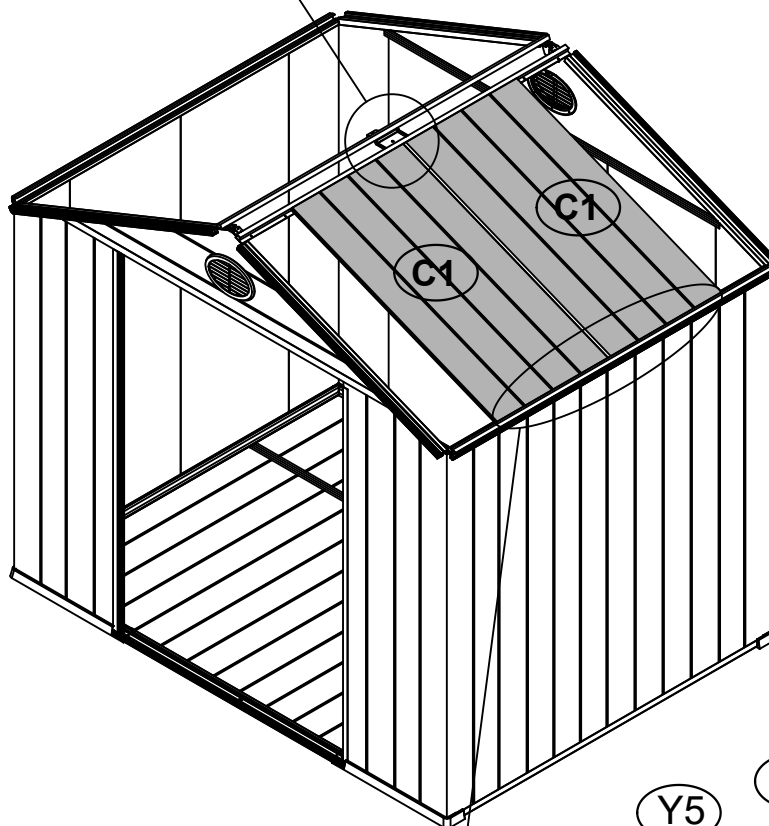
7

2x

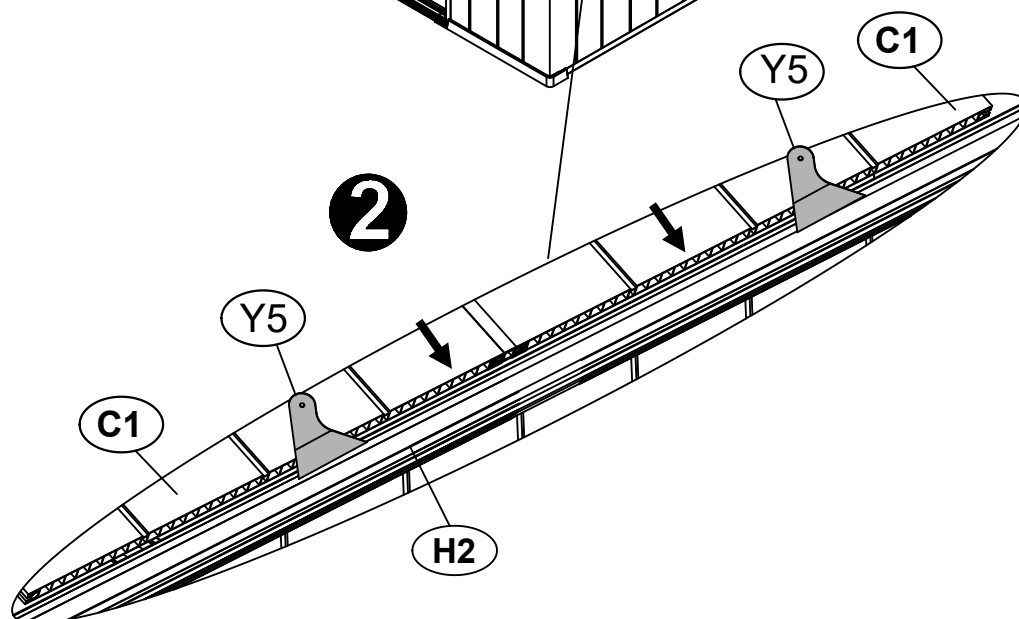
<24>



1



2



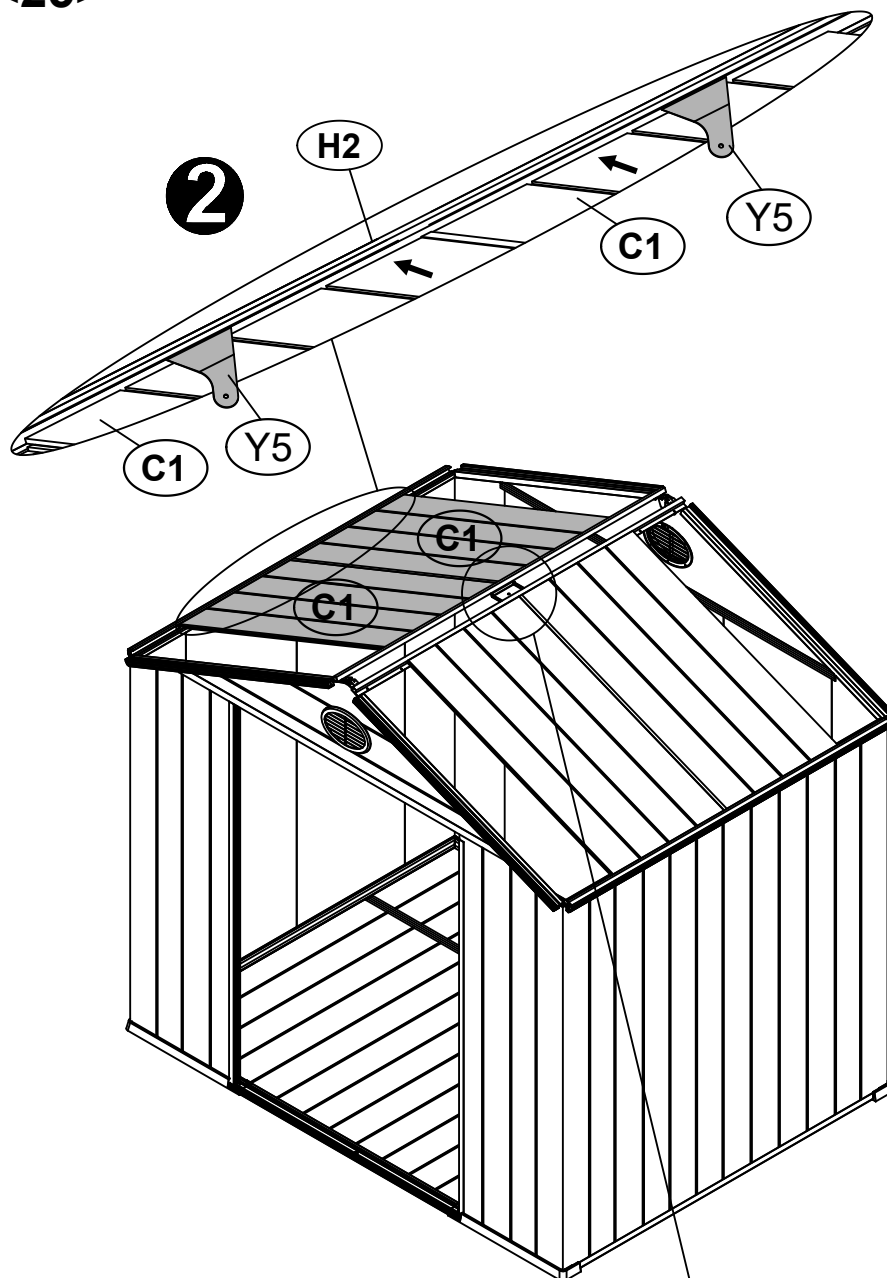


M6x15

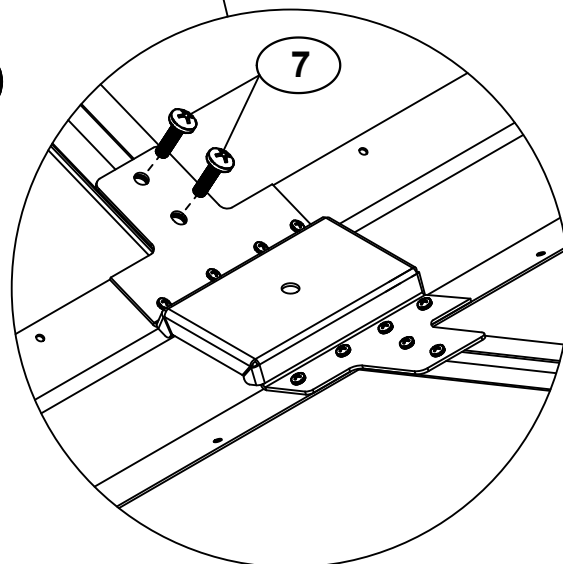
7

2x

<25>



1

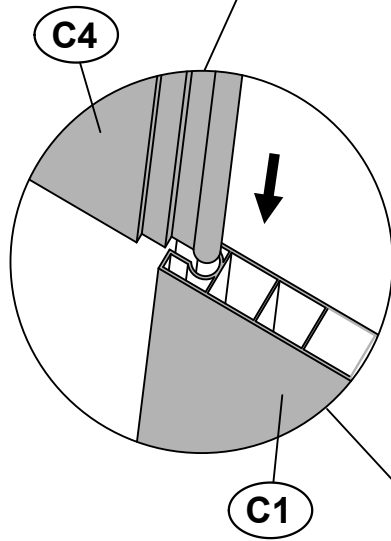
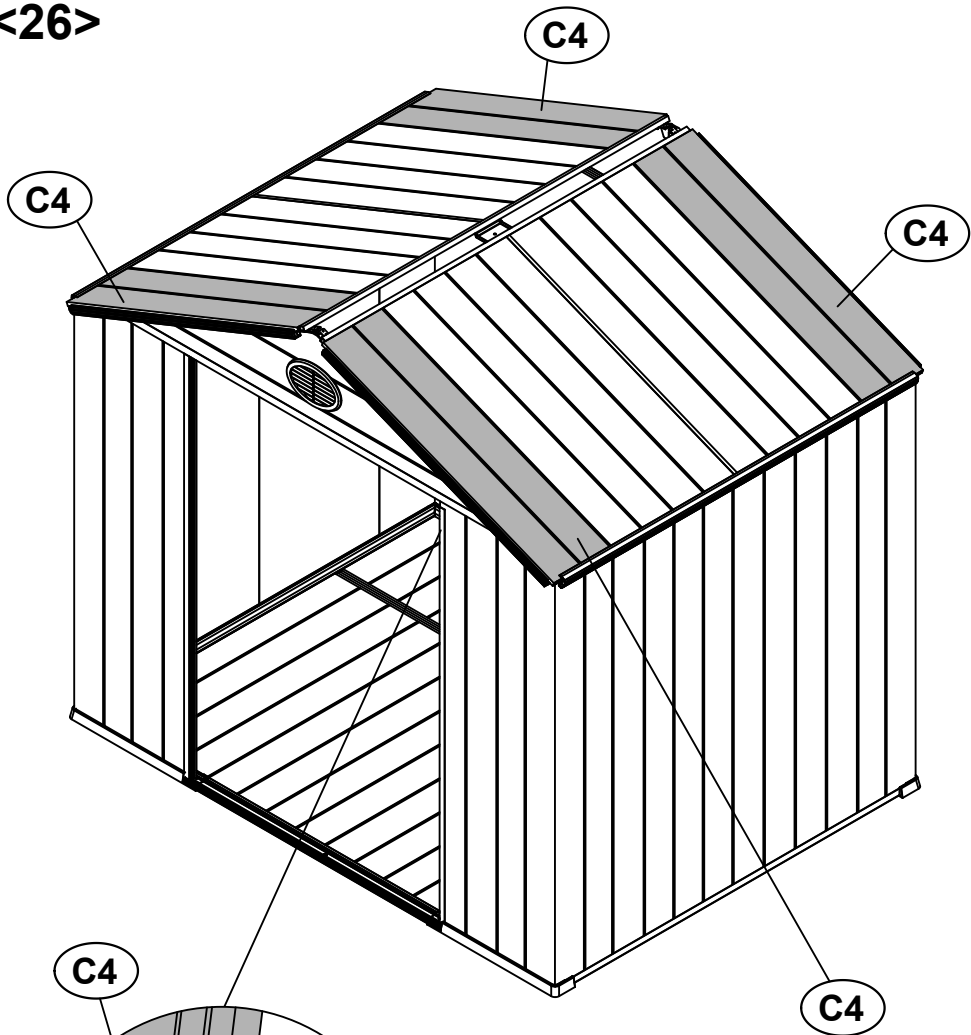


C4

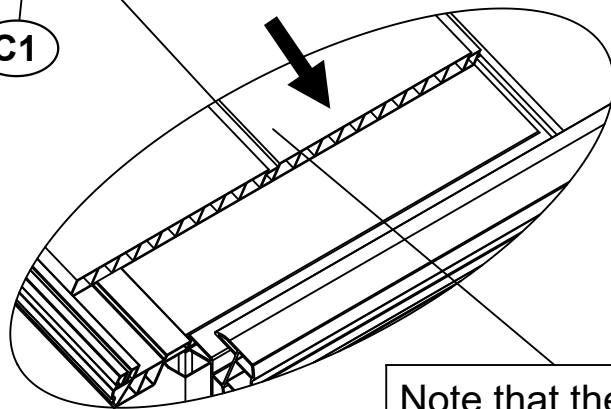


4x

<26>



Lift the edge of #C1# first and then connect to #C4#

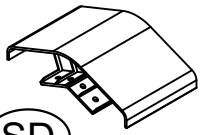


Note that the top plate needs to be installed in place



Q4

2x



SD

1x

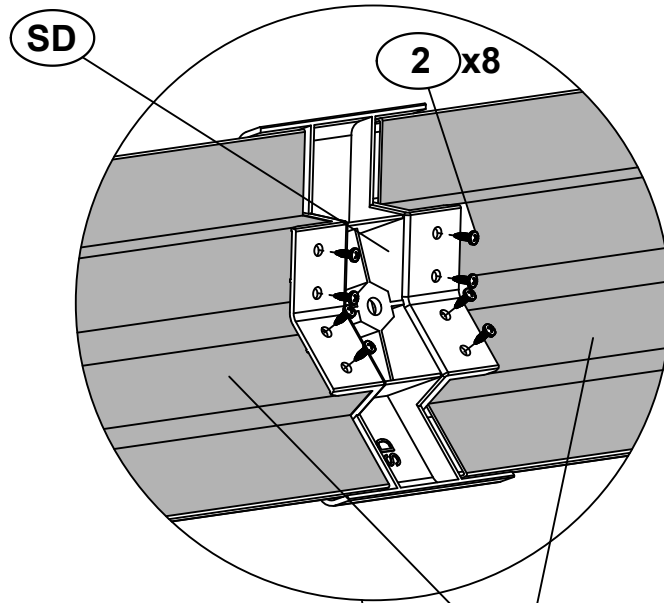


ST3.8x14

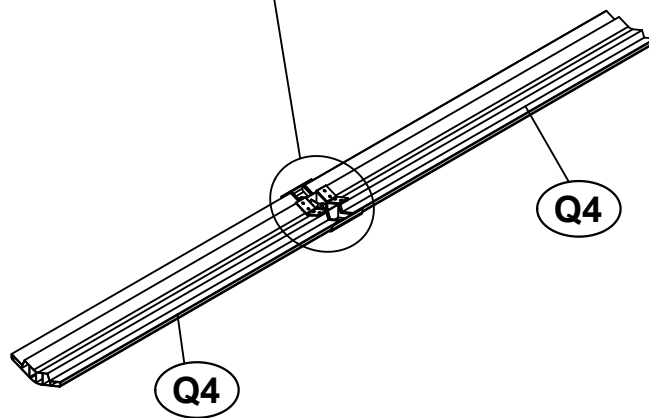
2

8x

<27>

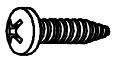


Q4



Q4

Q4



ST3.8x14

2

28x



M8x45

10

1x



ST4.8x32

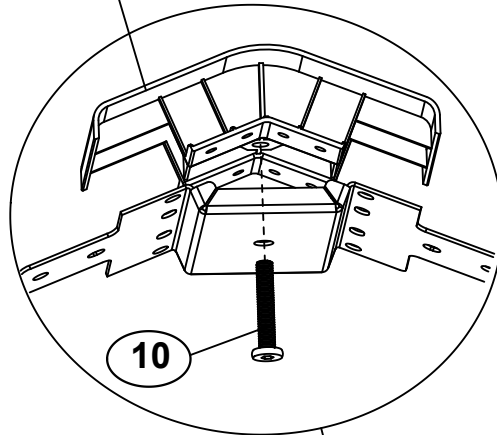
4

20x

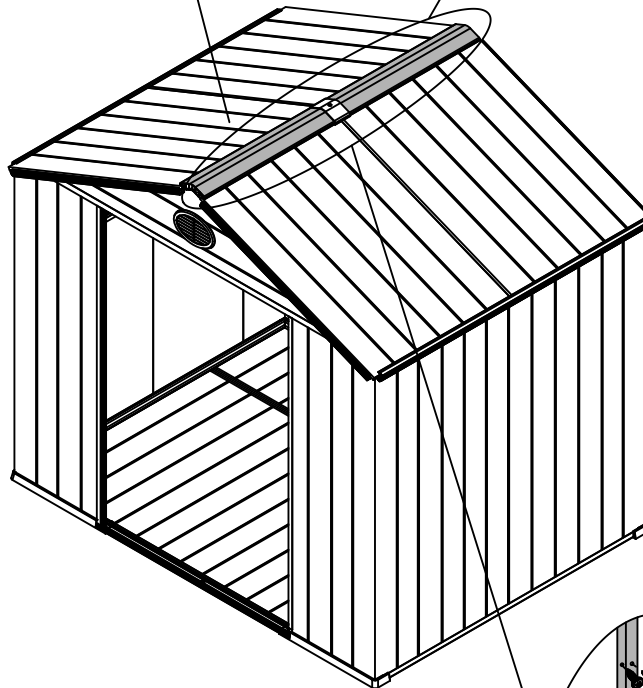
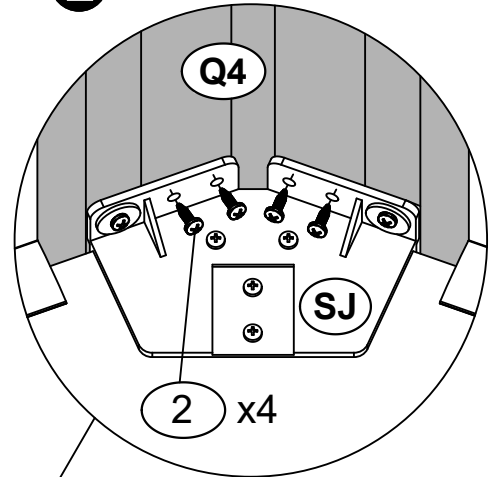
<28>

1

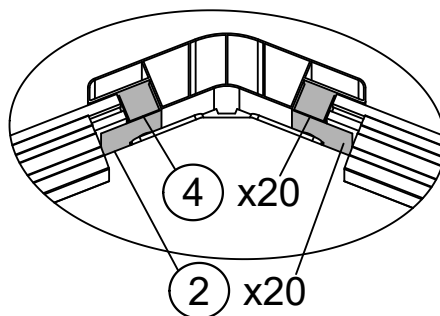
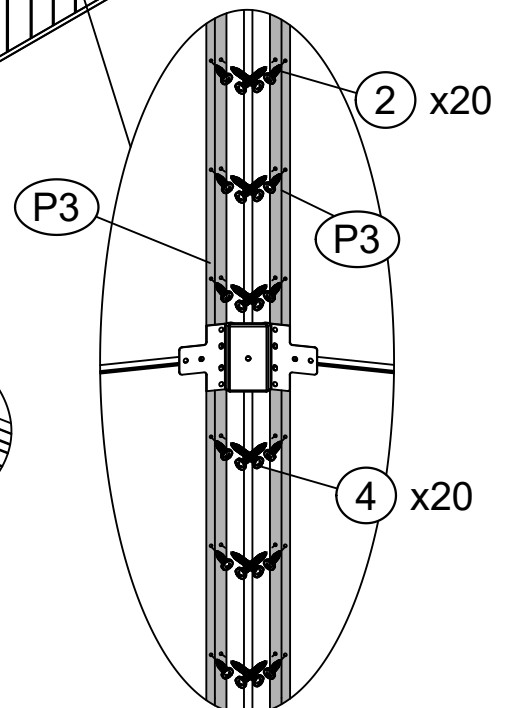
SD



2



3





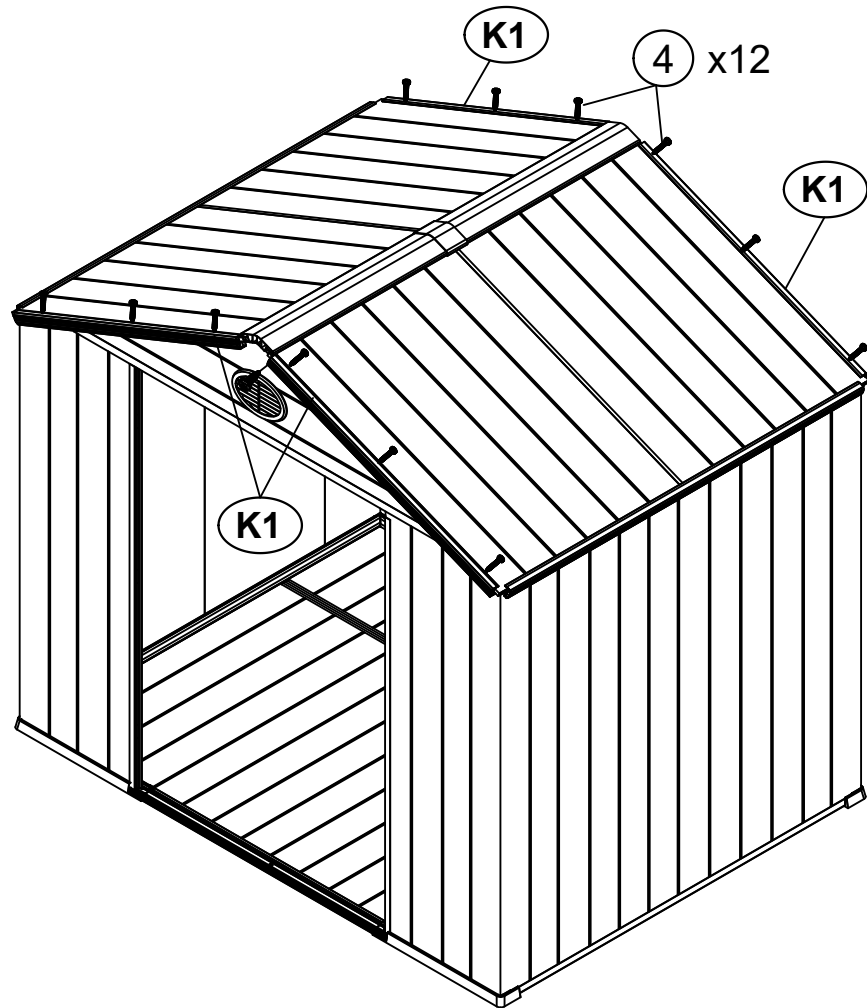
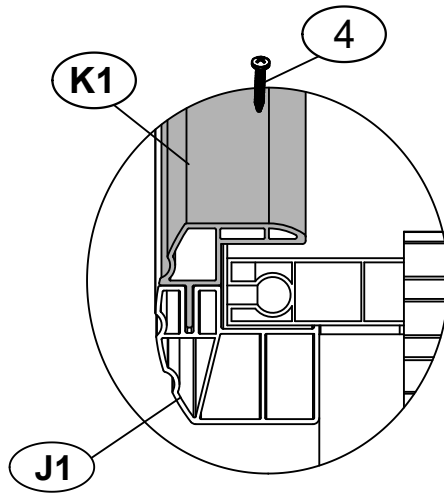
K1 4x



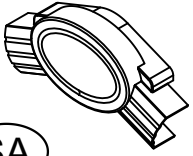
ST4.8x32

4 12x

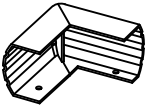
<29>



<30>



SA 2x



SCA 2x

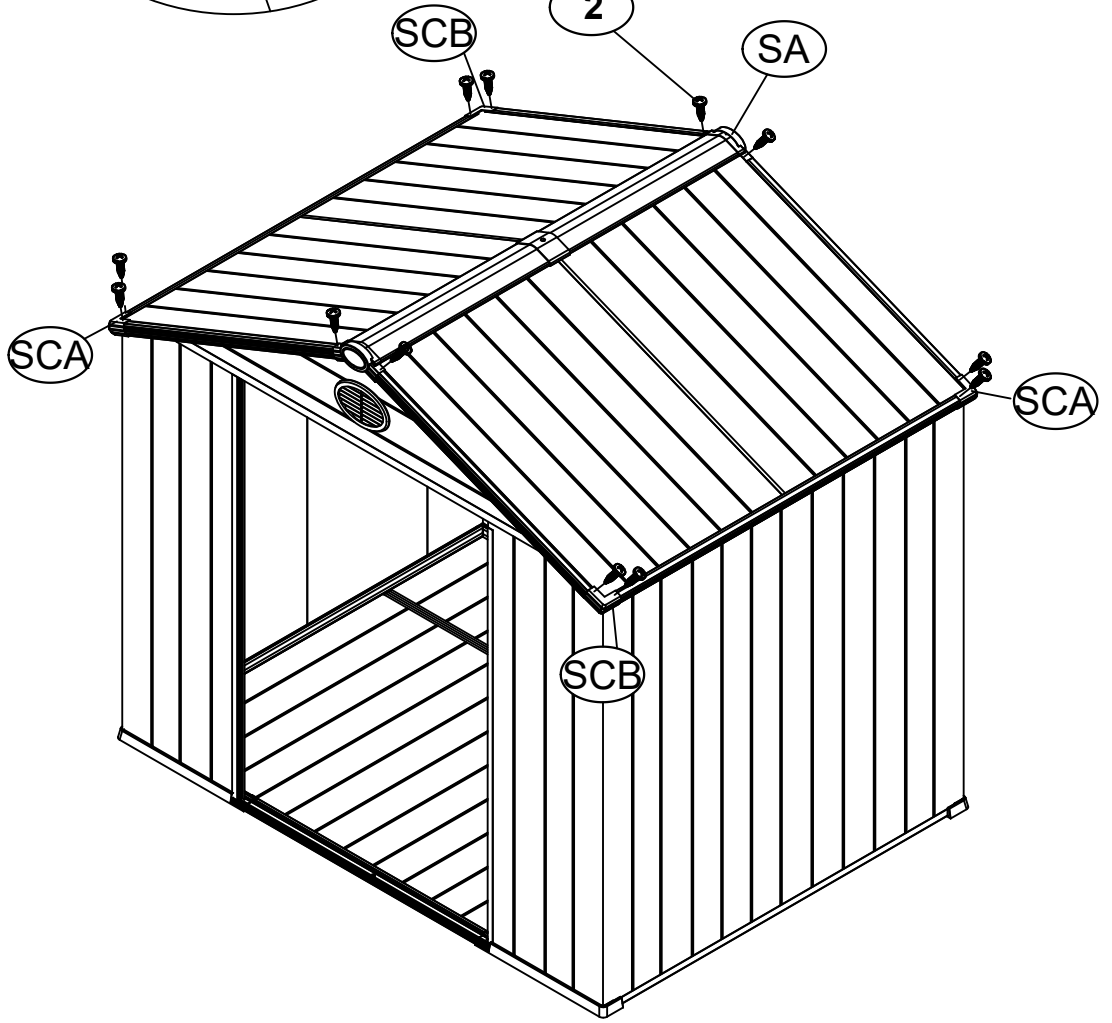
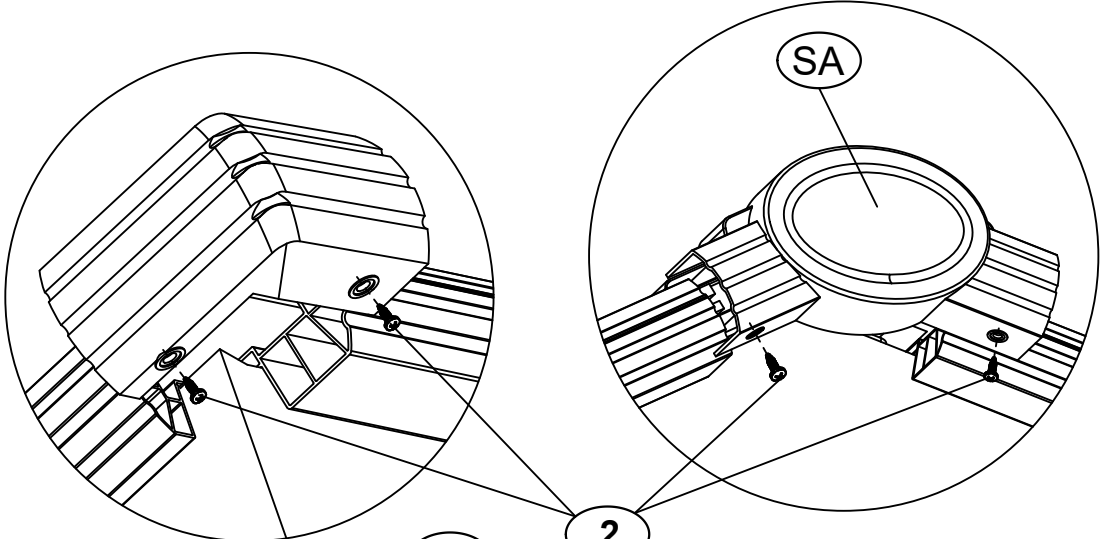


SCB 2x



ST3.8x14

2 24x



<31>

U3A 4x



U3B 2x



U3C 2x



U4 2x



M6x40
8 20x

8 20x



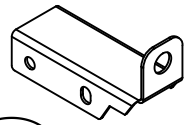
M6
9 20x

9 20x



M6
11 20x

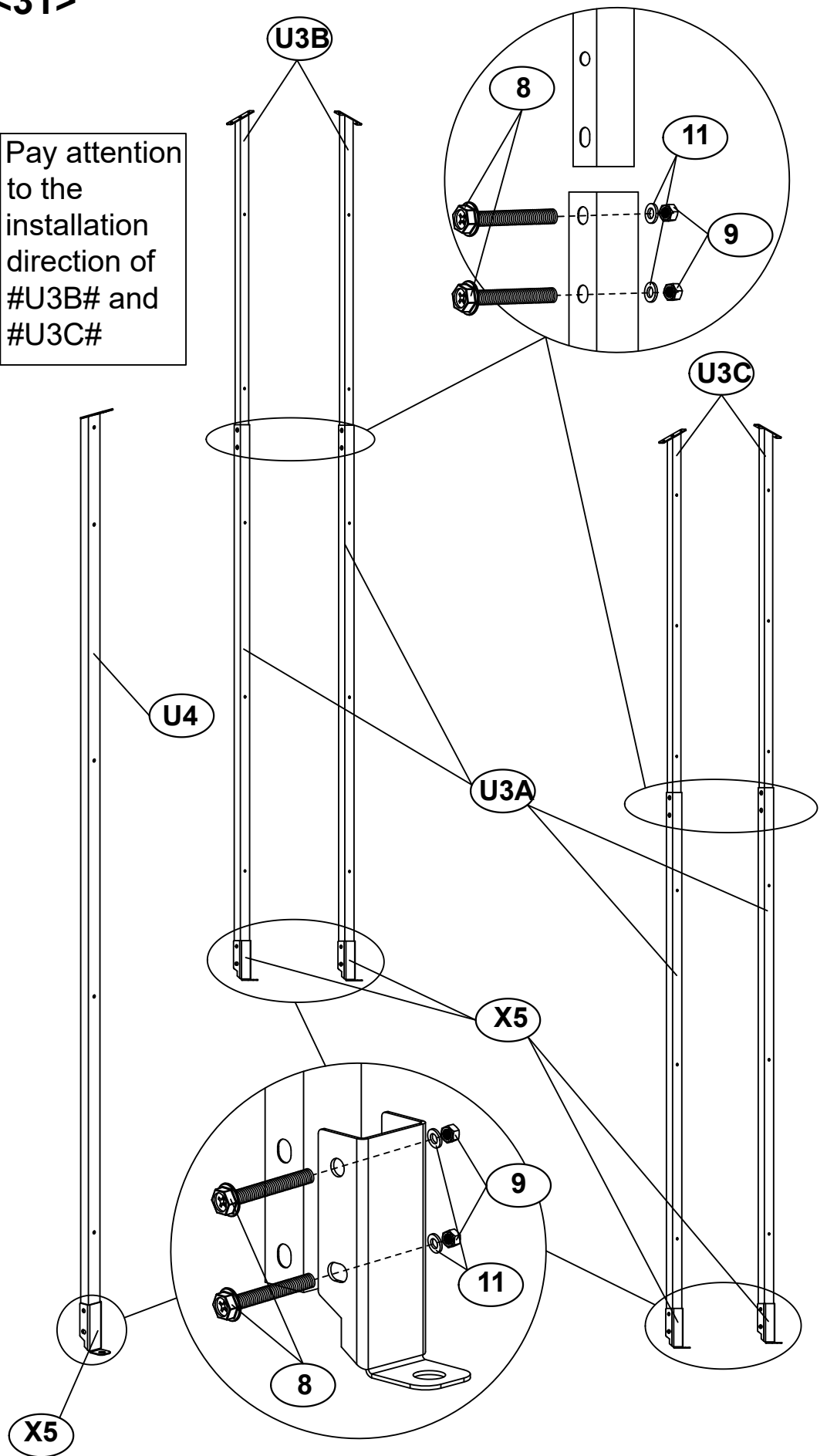
11 20x



X5 6x

X5 6x

Pay attention to the installation direction of #U3B# and #U3C#

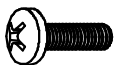




ST4.8x32

4

10x

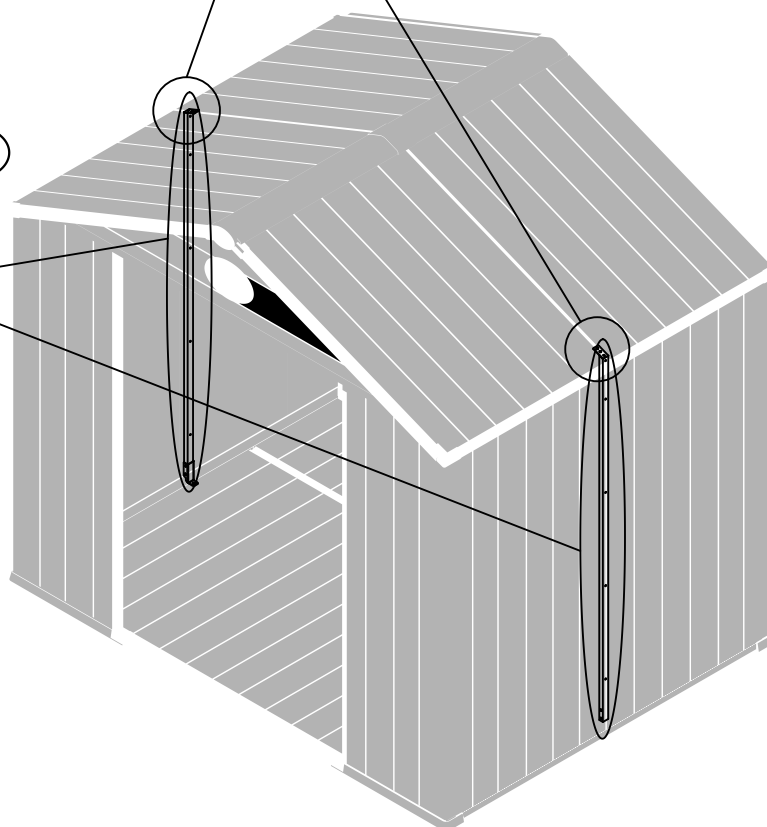
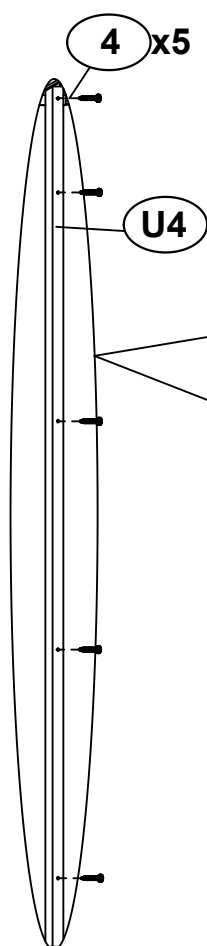
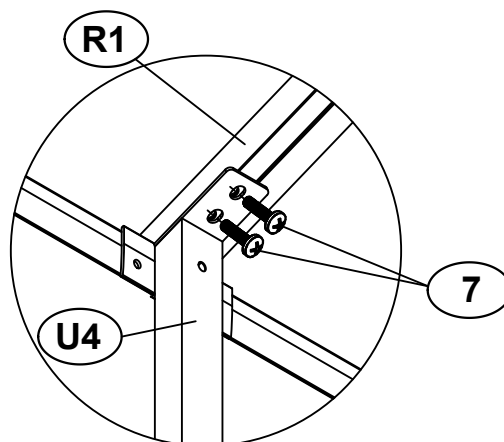


M6x15

7

4x

<32>





ST3.8x14

2

4x

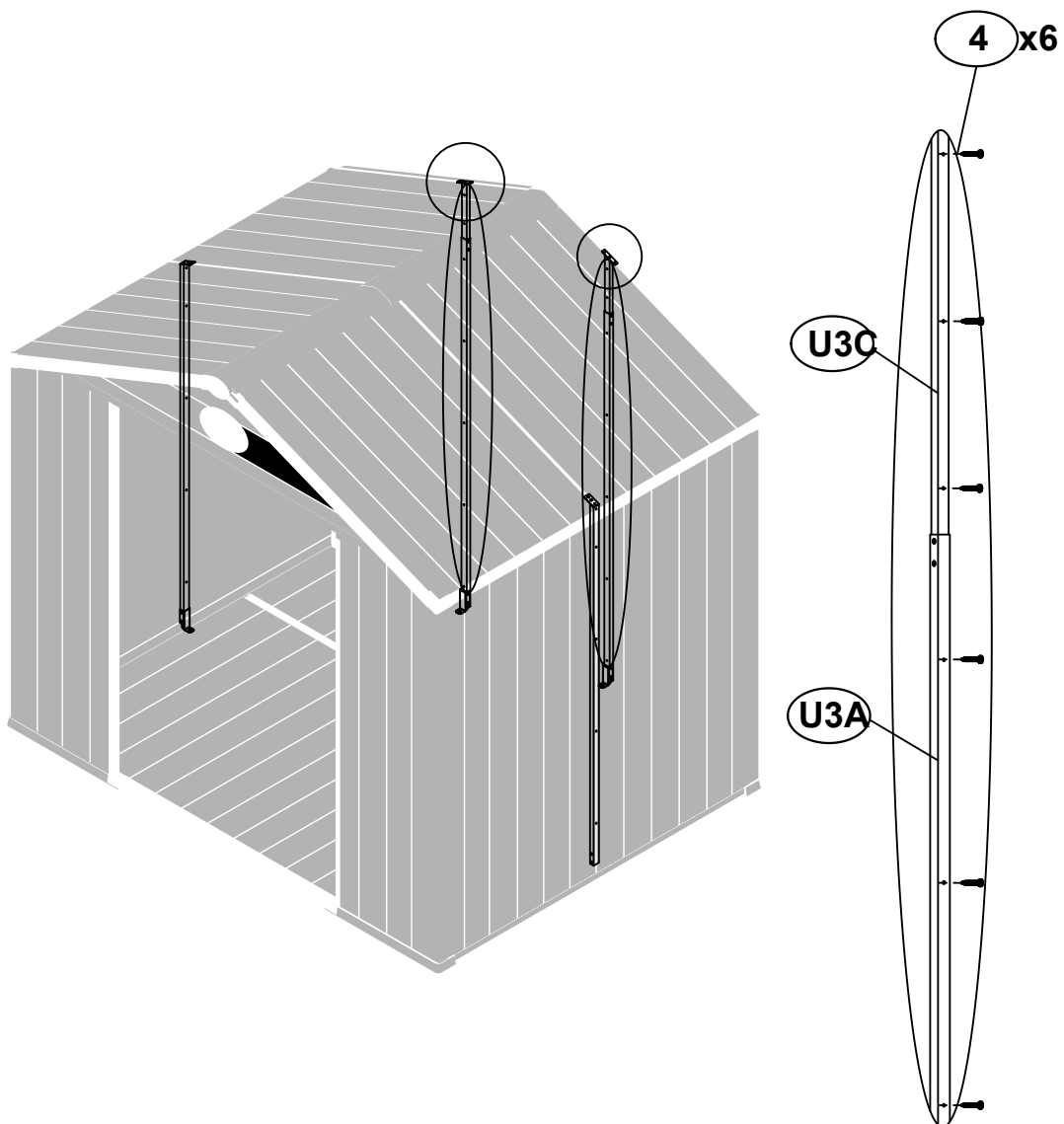
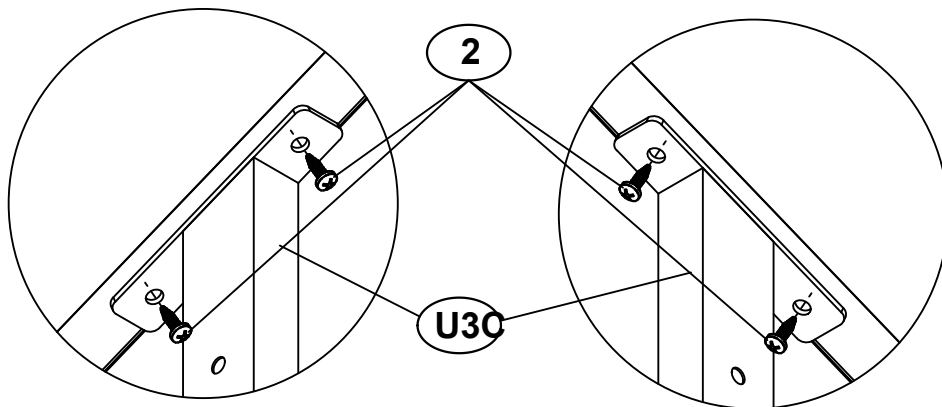


ST4.8x32

4

12x

<33>





ST3.8x14

2

4x

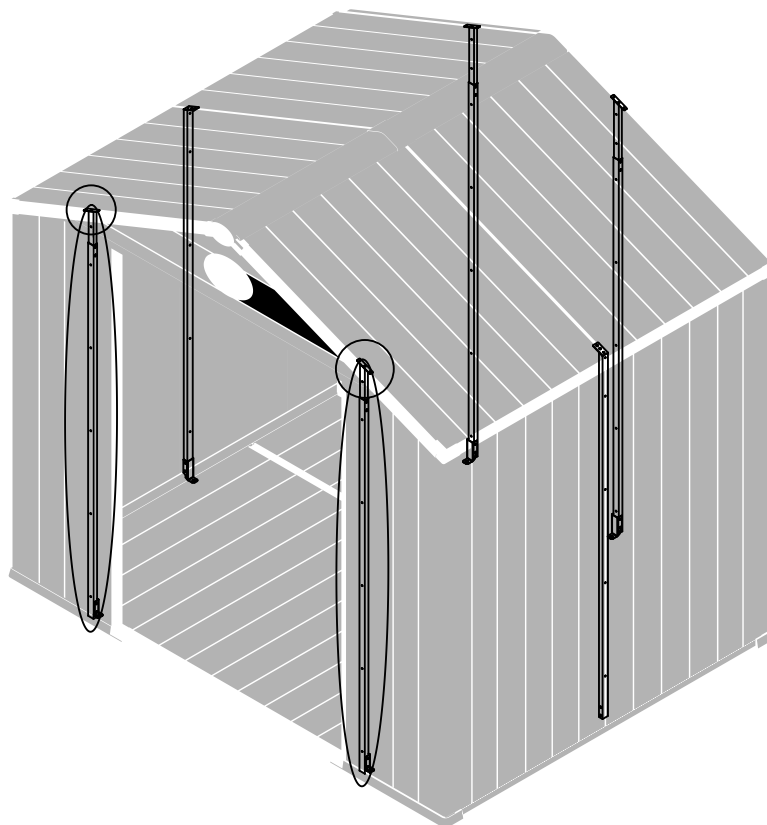
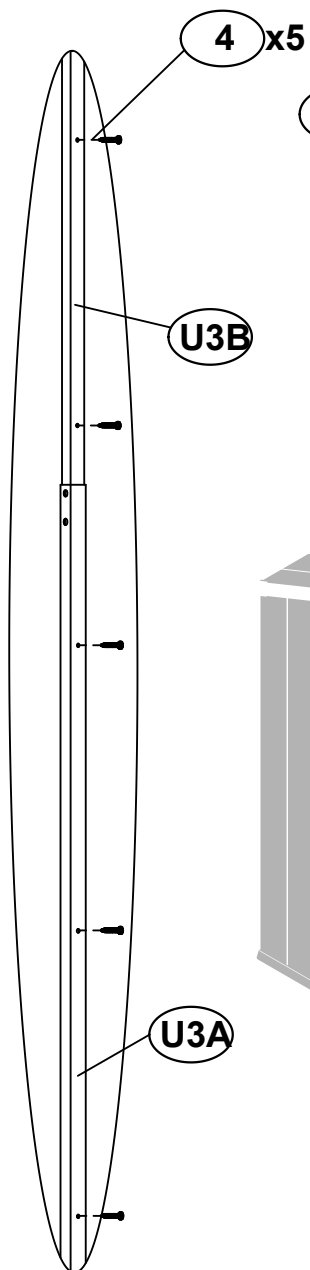
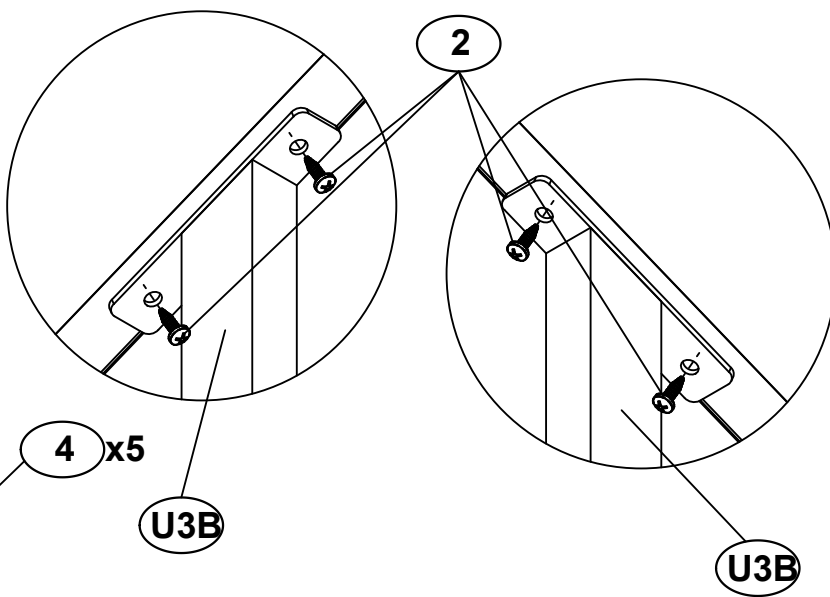


ST4.8x32

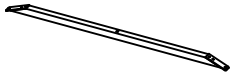
4

10x

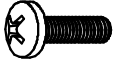
<34>



<35>



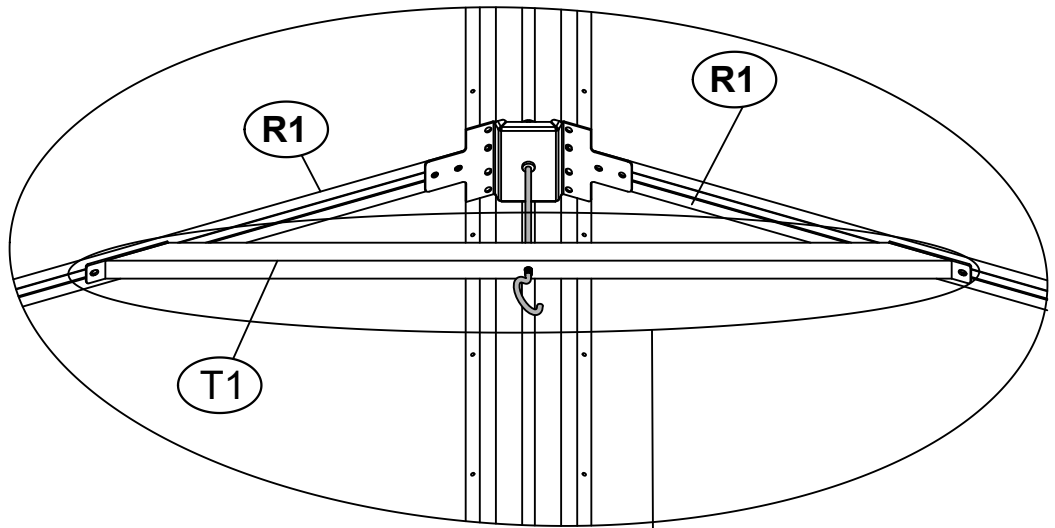
T1 1x



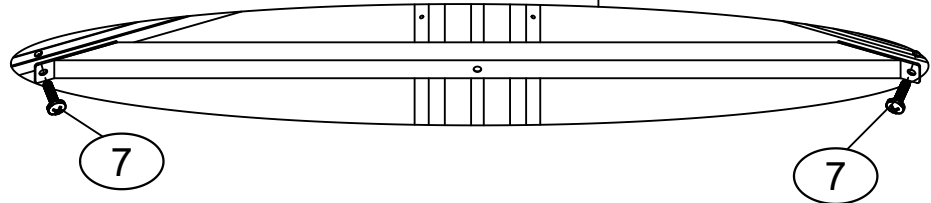
7 M6x15 2x



X6 1x

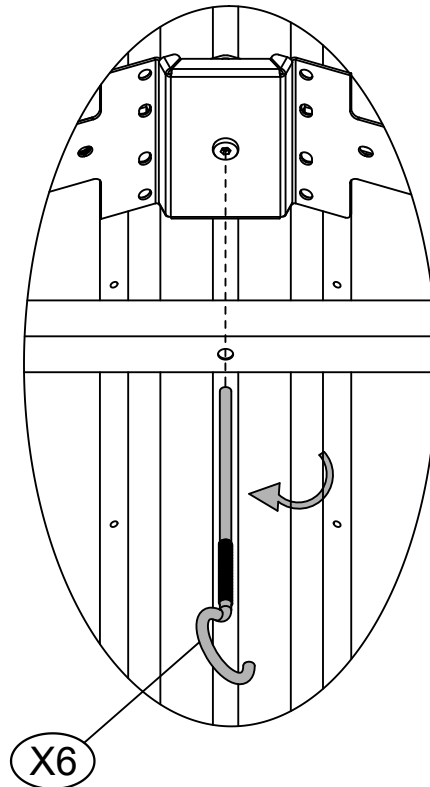


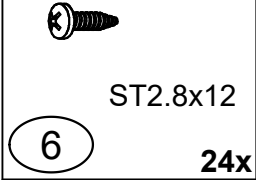
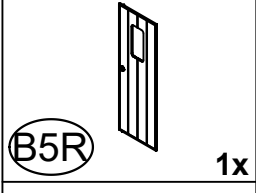
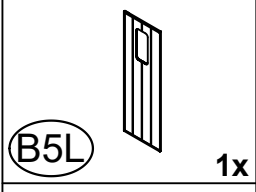
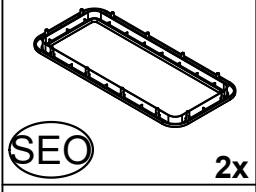
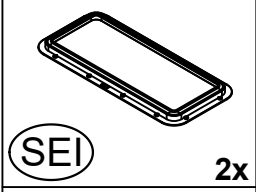
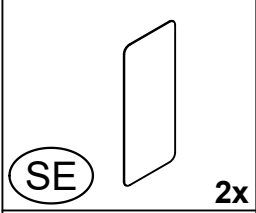
1



During installation, the top should be raised to align #T1# with the hole position

2

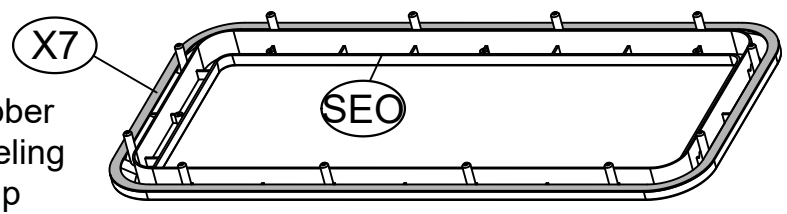




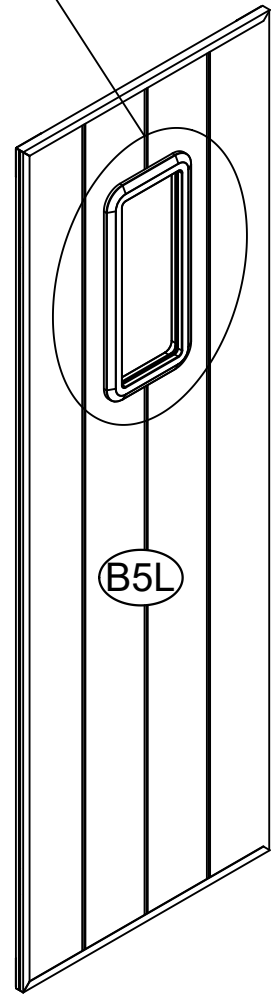
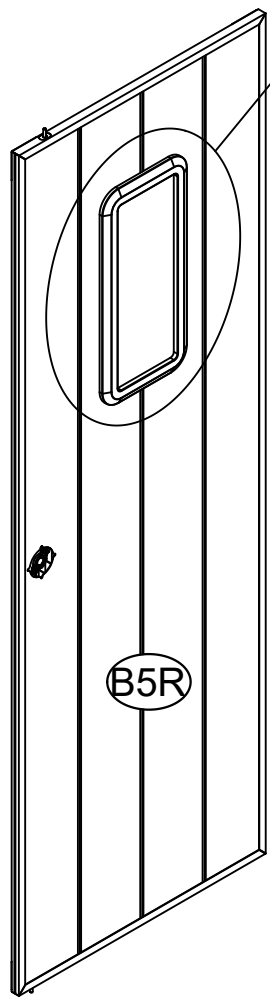
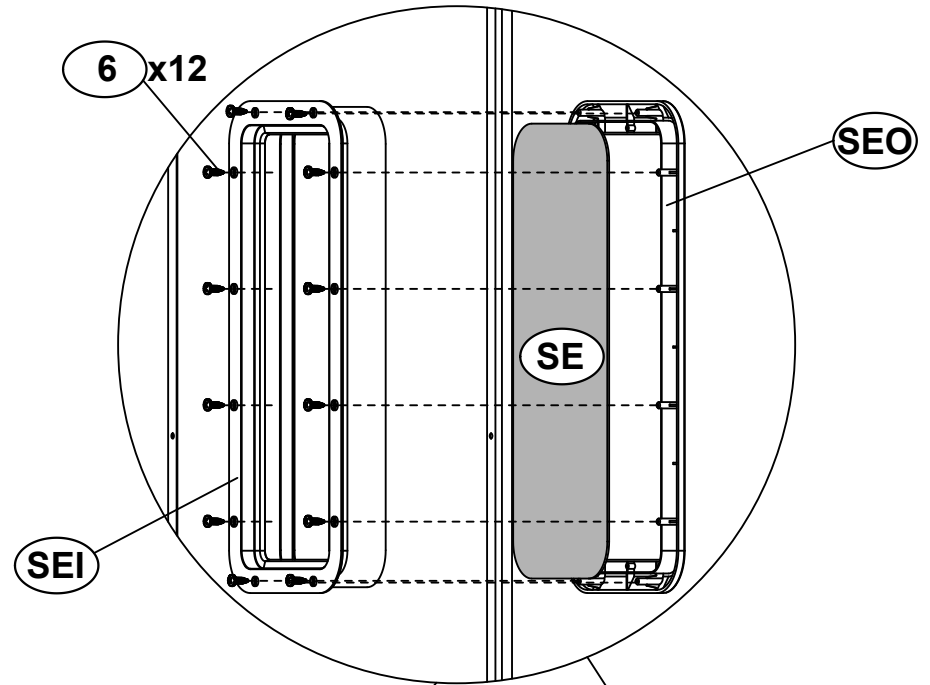
<36>

1

rubber
sealing
strip



2



<37>

DM

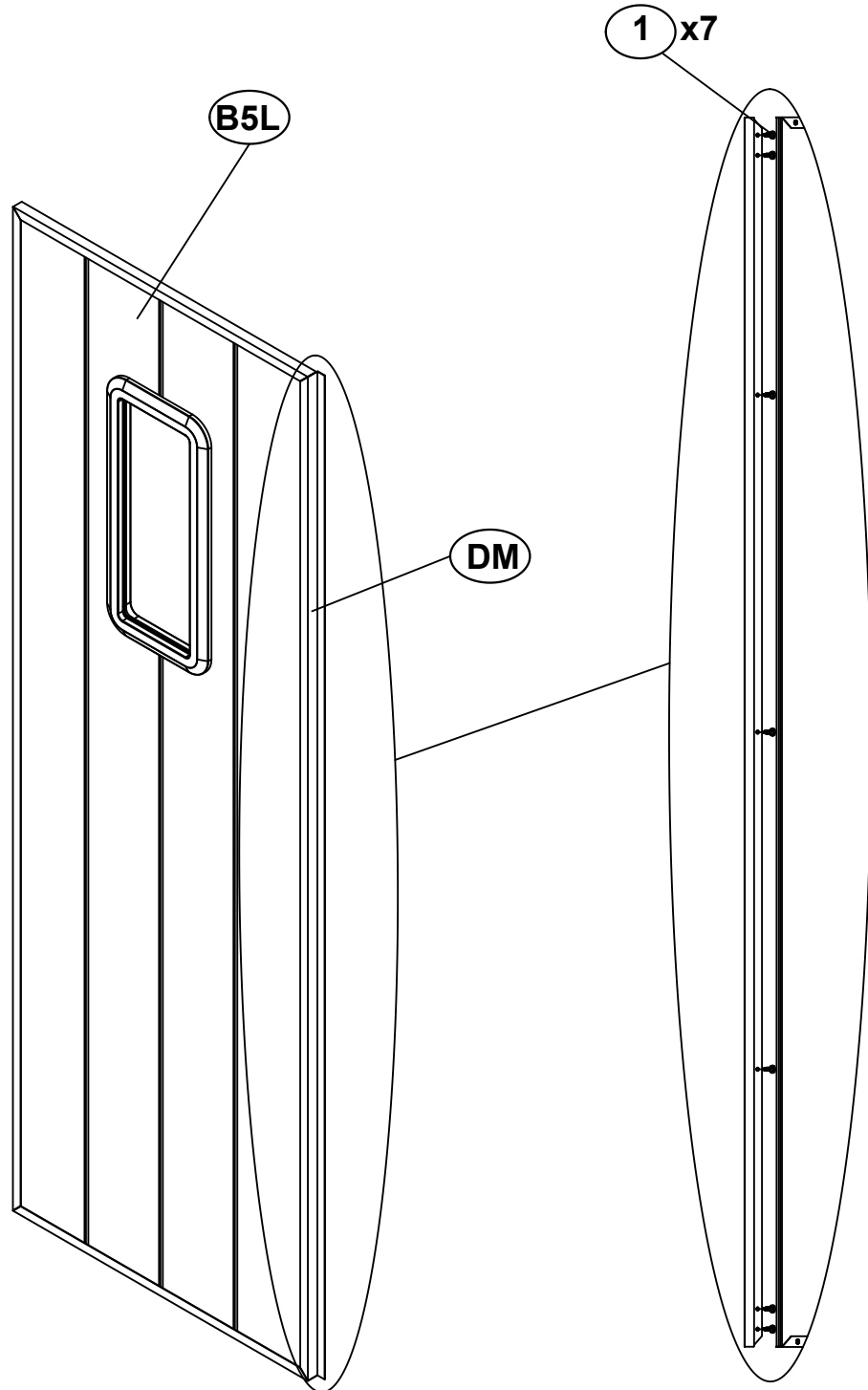
2x



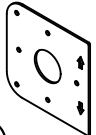


ST3.8x12

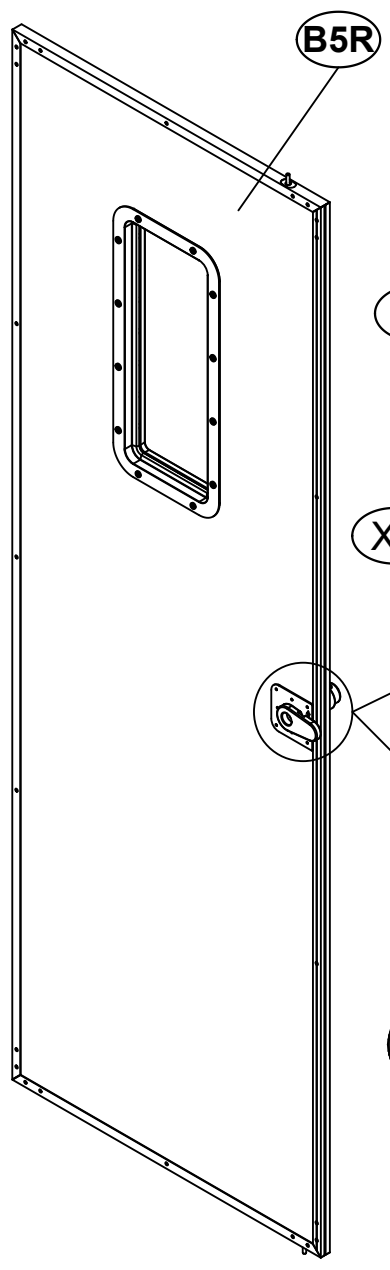
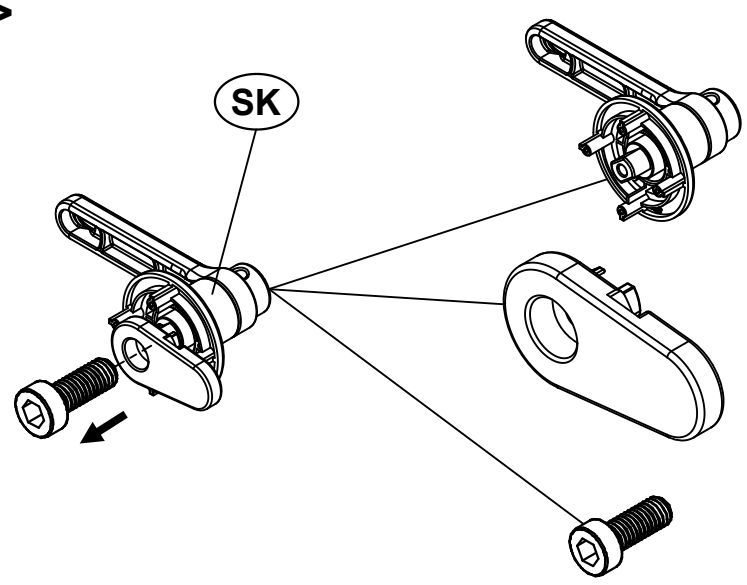
1

7x

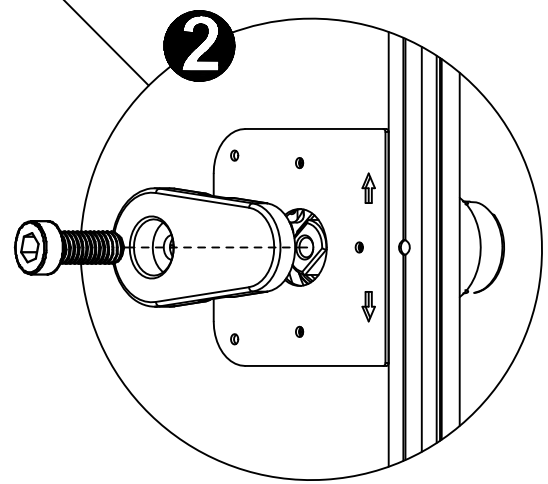
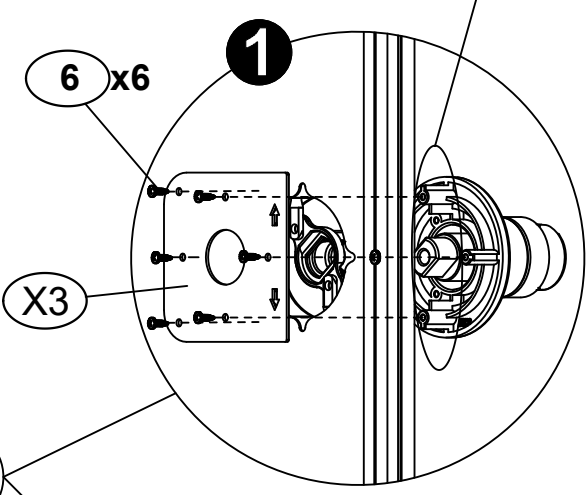


-  (SK) 1x
-  ST2.8x12 (6) 6x
-  (X3) 1x

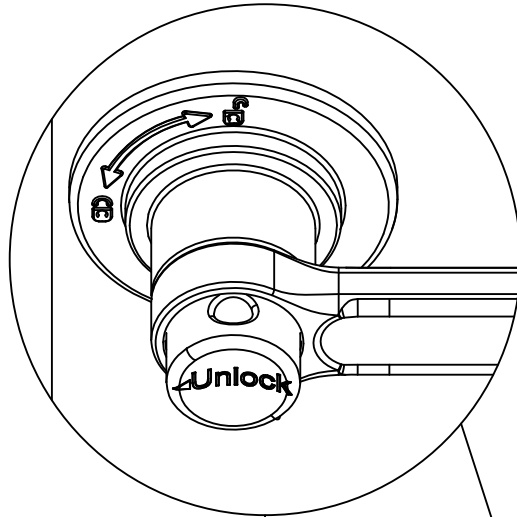
<38>



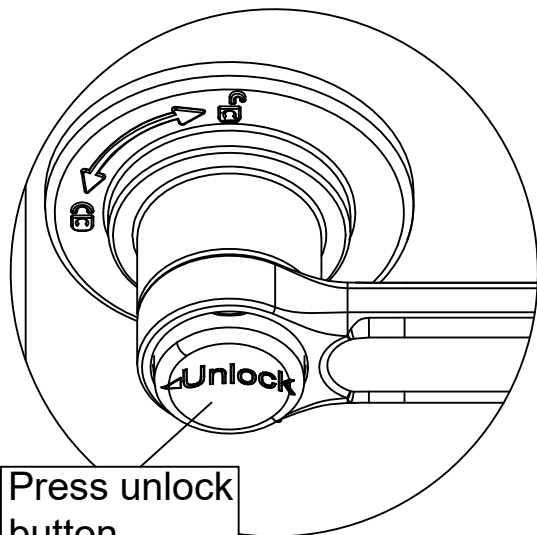
The direction of the raised steps during installation is located above and below



<39>

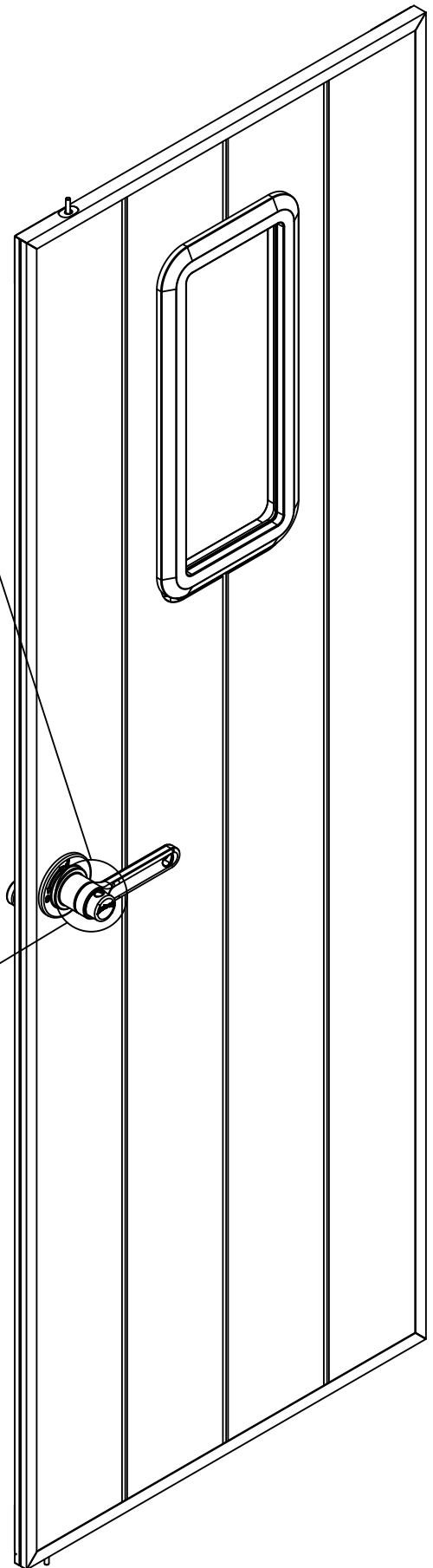


When the door lock button is in this state, the door handle is in the locked state and cannot be rotated



Press unlock button

When the door lock button is in this state, the door lock is unlocked and can be opened by pressing the doorknob

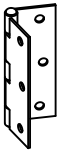




ST3.8x12

3

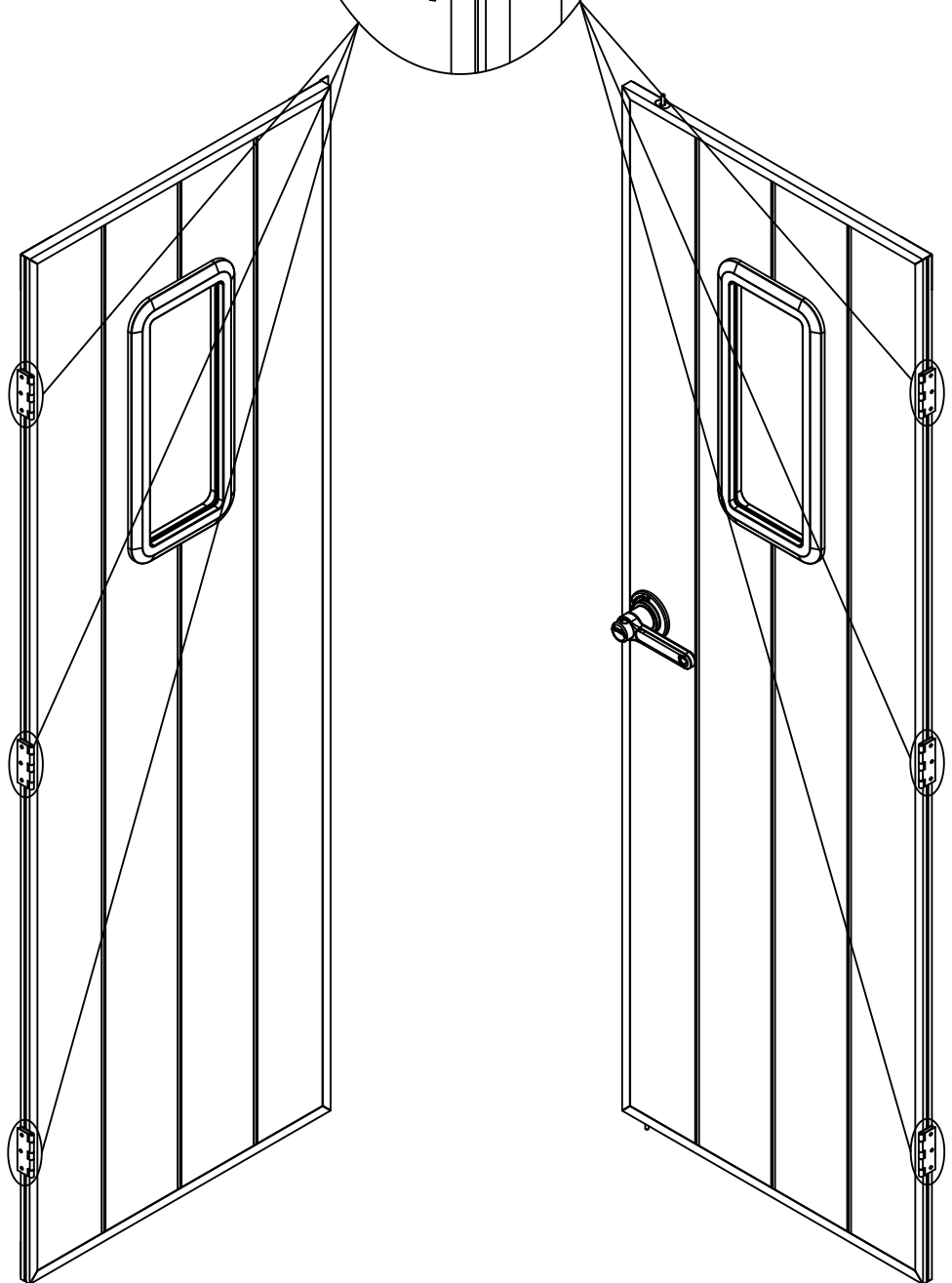
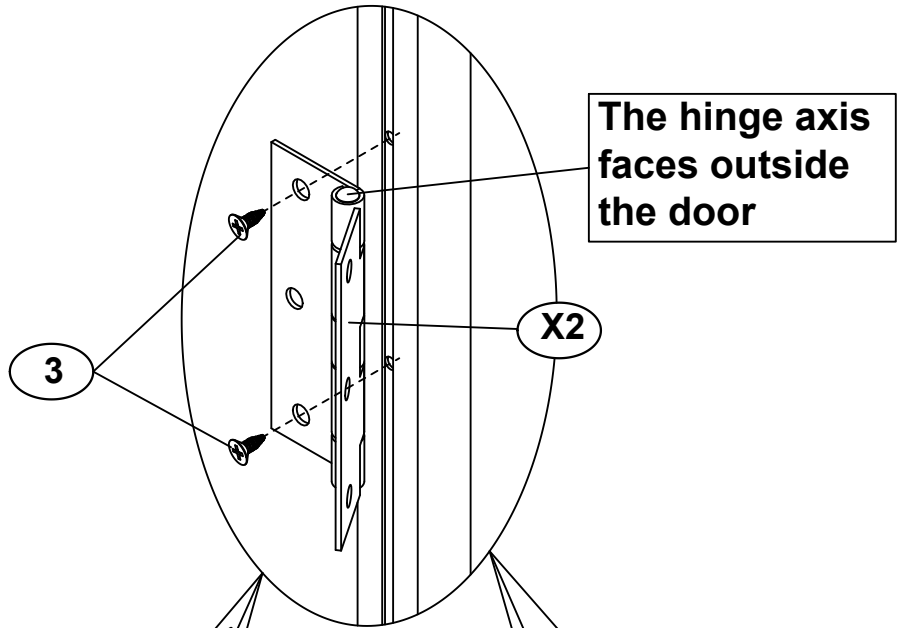
12x



X2

6x

<40>



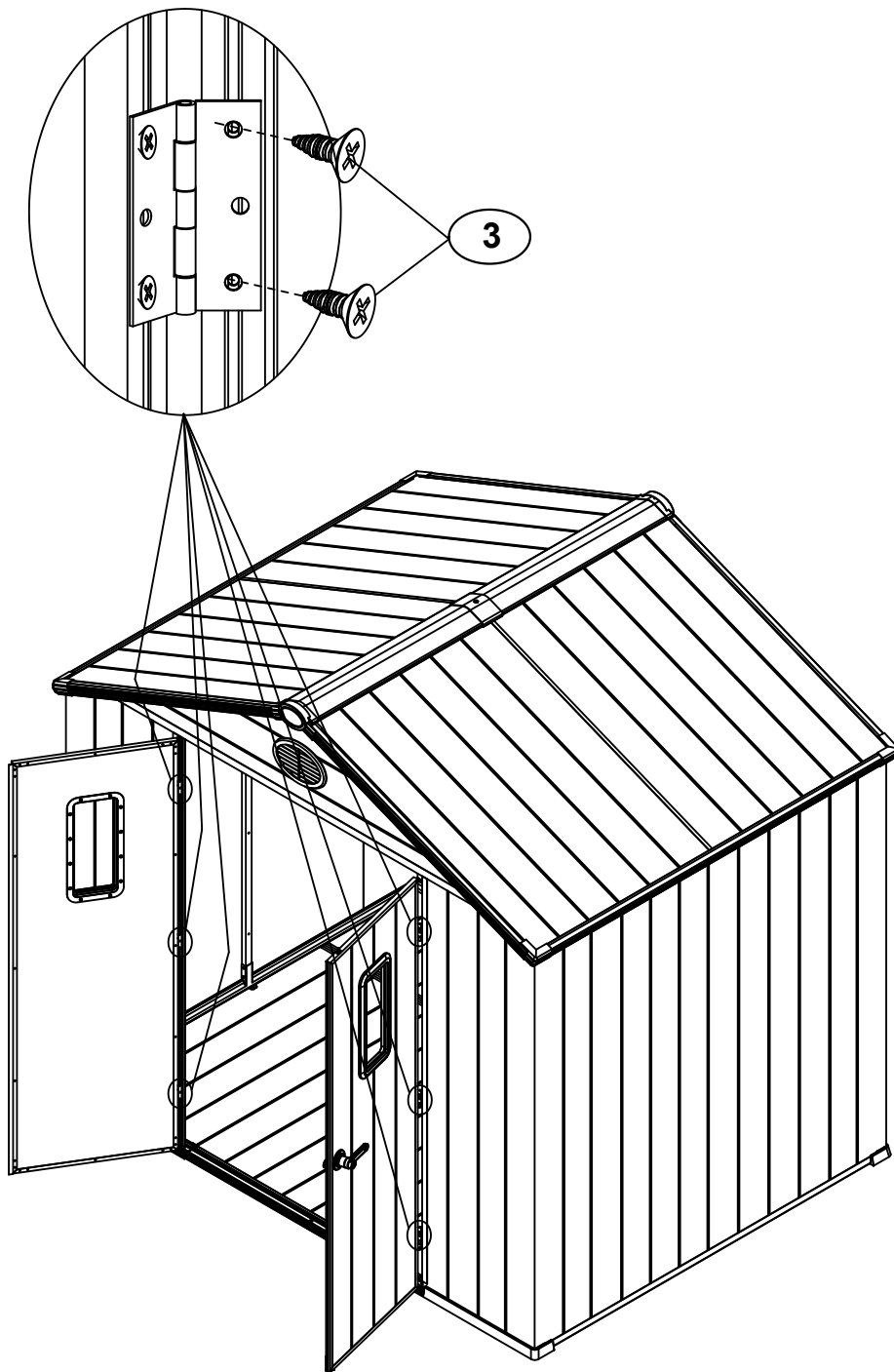


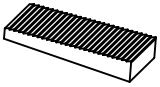
ST3.8x12

3

12x

<41>

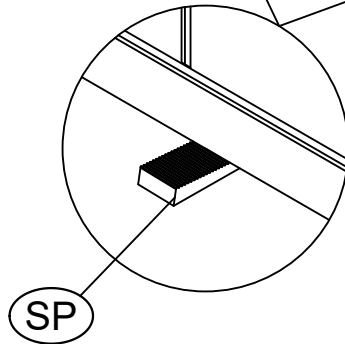
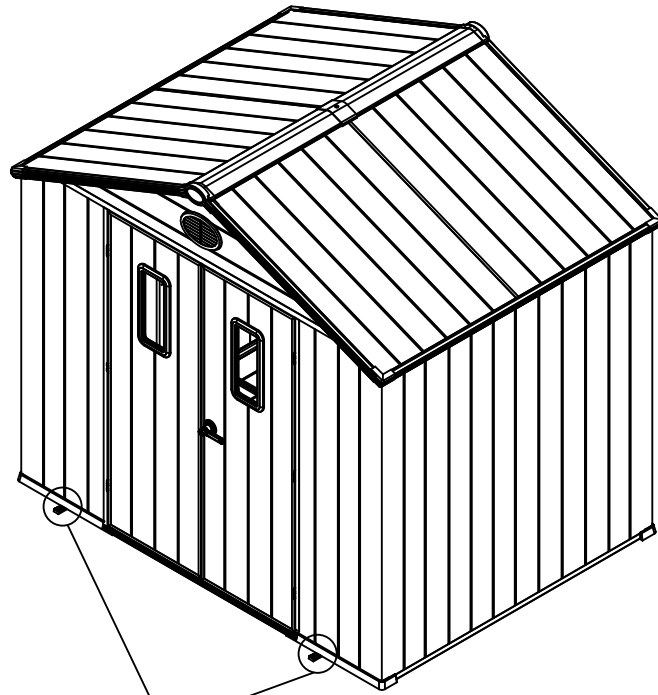




<42>

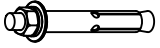
SP

2x



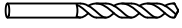
If the assembled rear door frame is tilted, the #SP# part can be placed on the left or right side of the tool house as shown.

<43>



M8x80
6x

12



Y3

1x

