








INSTALLATION MANUAL



Before You Start

-  Please read all instructions carefully.
-  Retain instructions for future reference.
-  Separate and count all parts and hardware.
-  Read through each step carefully and follow the proper order.
-  We recommend that, where possible, all items are assembled near to the area in which they will be placed in use, to avoid moving the product unnecessarily once assembled.
-  Always place the product on a flat, steady and stable surface.
-  Keep all small parts and packaging materials for this product away from babies and children as they potentially pose a serious choking hazard.

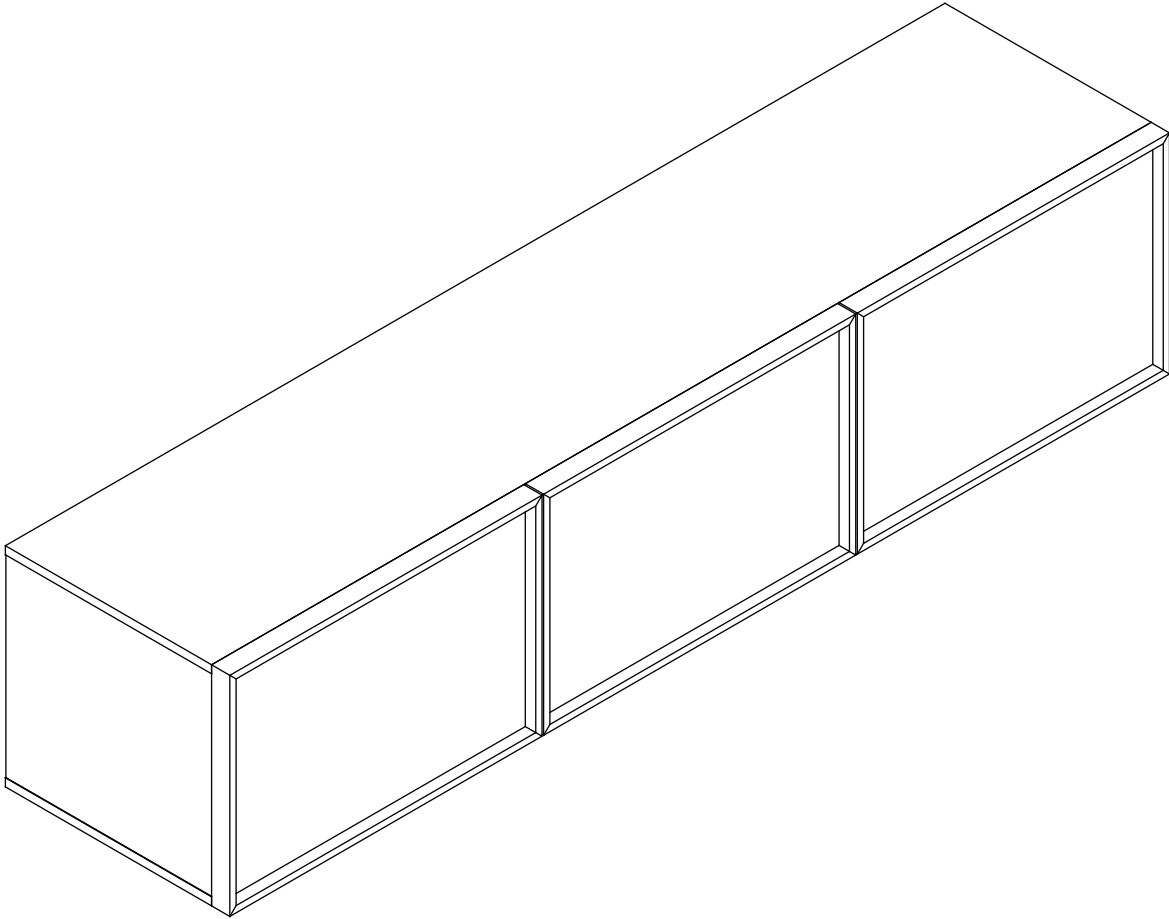
Assembly Instructions

We have designed our furniture with you, the customer in mind. Our clear, easy to follow step by step instructions will guide you through the project from start to finish. Feel confident that this will be a fun and rewarding project. The final product will be a quality piece of furniture that will go together smoothly and give years of enjoyment.

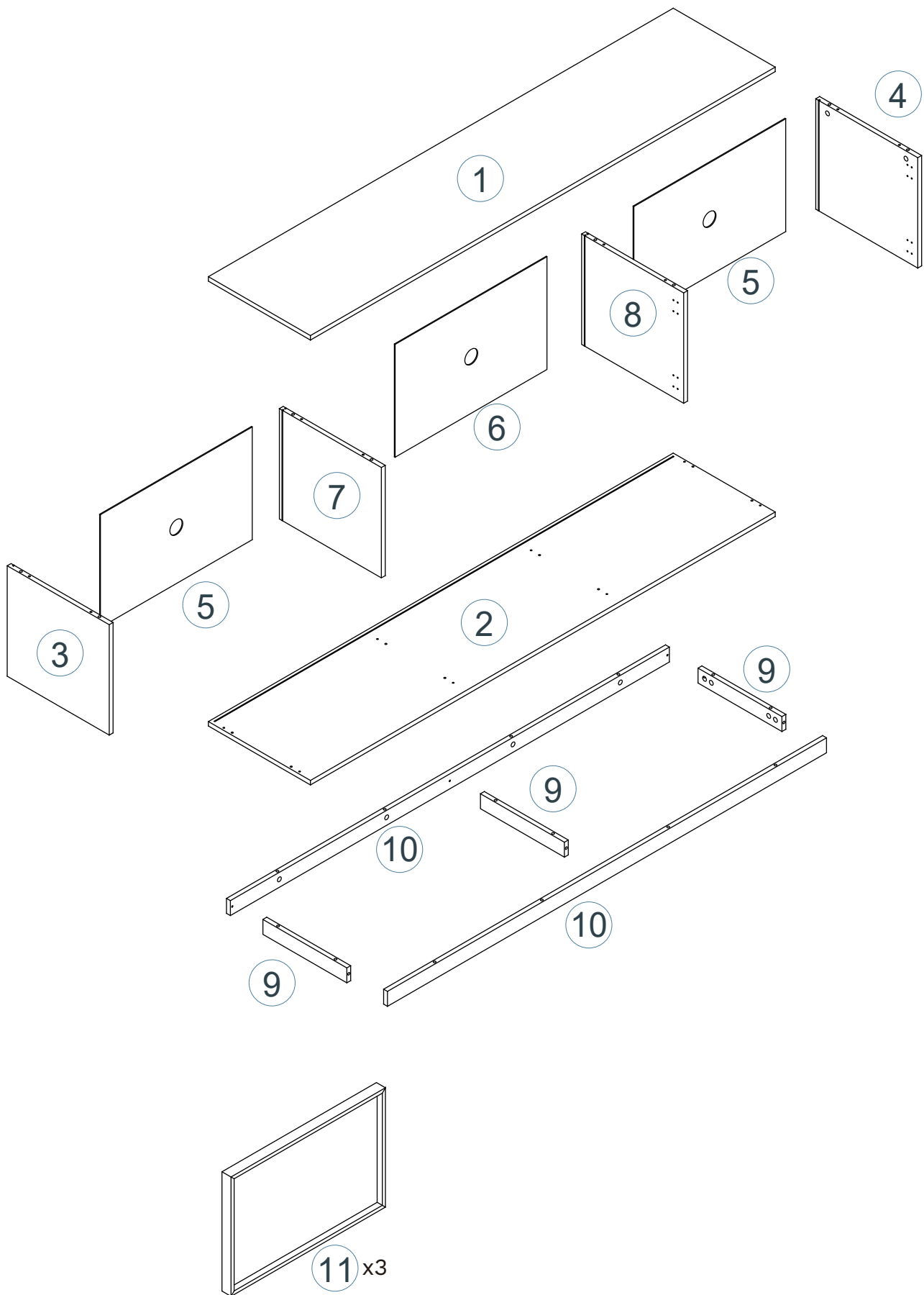


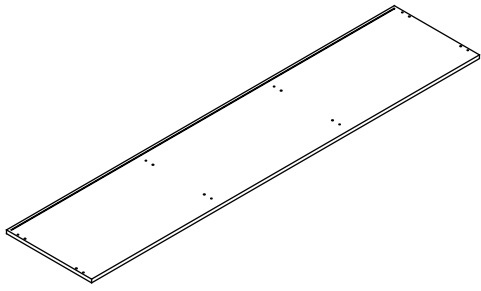
Please do not return to the store
Broken or missing Hardware?
Need help with Assembly?

Completed Assembly

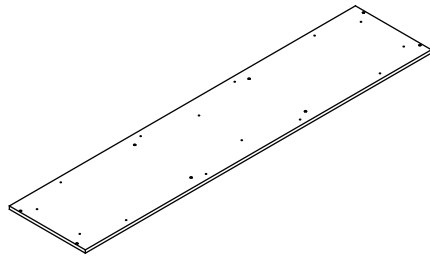


Parts Description

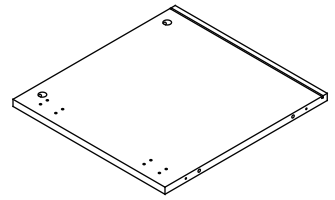




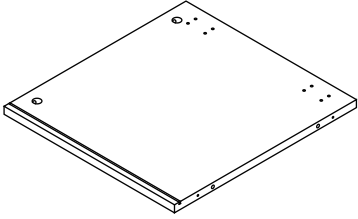
①



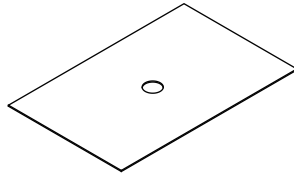
②



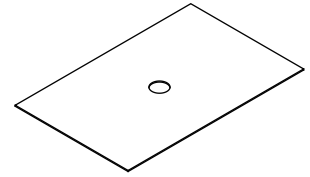
③



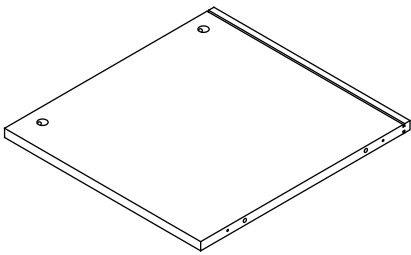
④



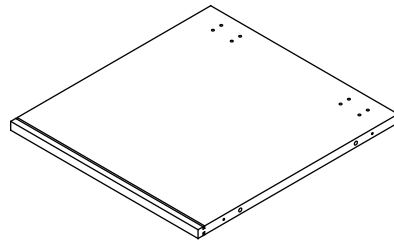
⑤ x2



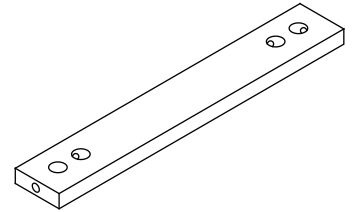
⑥



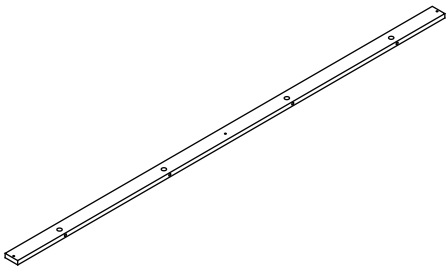
⑦



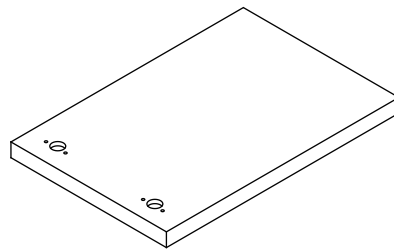
⑧



⑨ x3

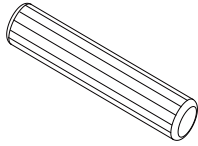


⑩ x2



⑪ x3

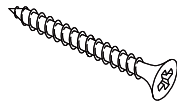
A



8x30mm Dowel

16pcs

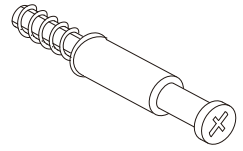
B



4 x 35mm Screw

8pcs

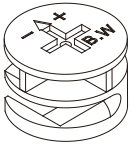
C



Bolt

28pcs

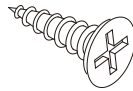
D



Locking Nut

28pcs

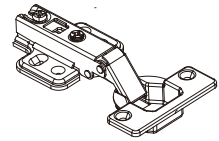
E



4 x 14mm Screw

36pcs

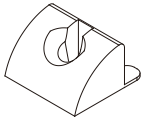
F



Hinge

4pcs

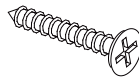
G



Wedge

8pcs

H



3 x 14mm Screw

8pcs

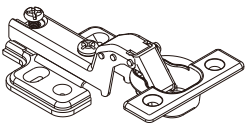
I



Plastic Glide

6pcs

J



Hinge

2pcs

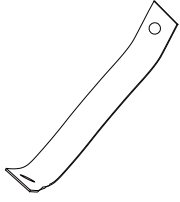
K



Sticker

2pcs

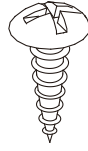
V



Safety Strap

2pcs

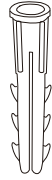
W



Screw

2pcs

X



Wall Anchor

2pcs

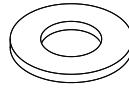
Y



Wall Screw

2pcs

Z



Washer

4pcs



Note: Please do not use any power tools. Use of power tools may cause damage and void manufacture warranty.

Instructions For Fastening Cam Bolt and Cam Lock



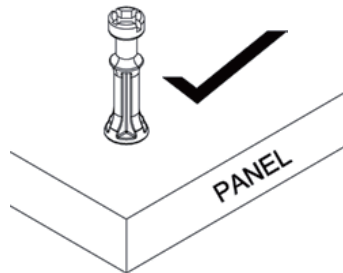
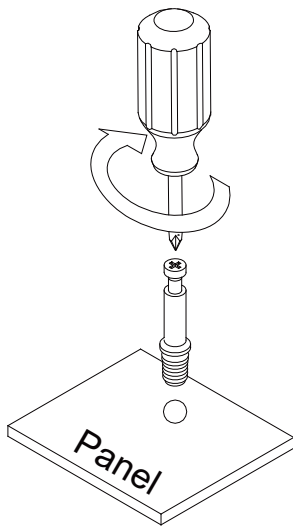
CAM BOLT



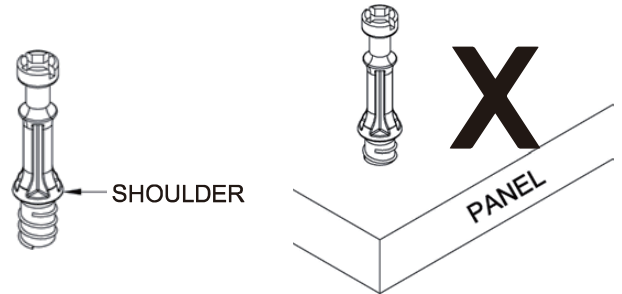
CAM LOCK

Cam Bolt

Place Cam Bolt on the designated pre-drilled hole on the panel. Use a Phillips Screwdriver to screw in Cam Bolt vertically until shoulder is snug and flushed with panel. Do not over-tighten or under-tighten Cam-bolt. See illustrations below.

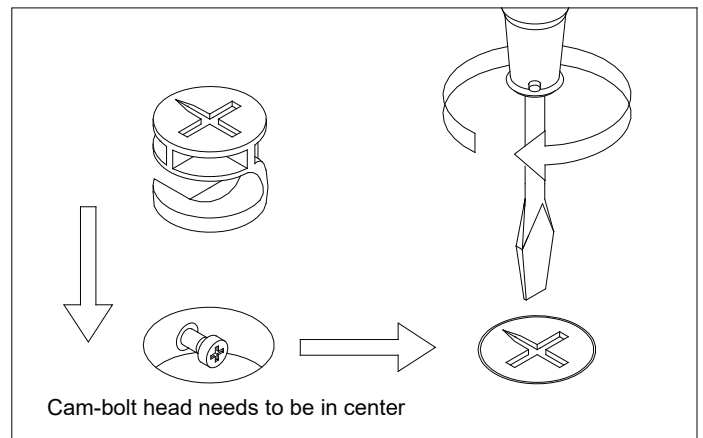
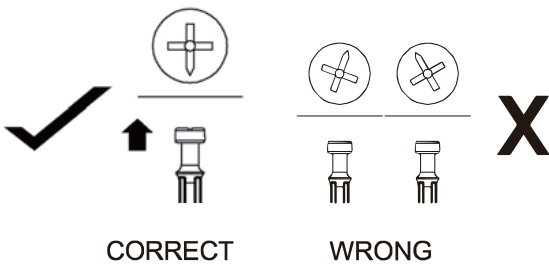


Shoulder is flushed (on the same level) with the panel.



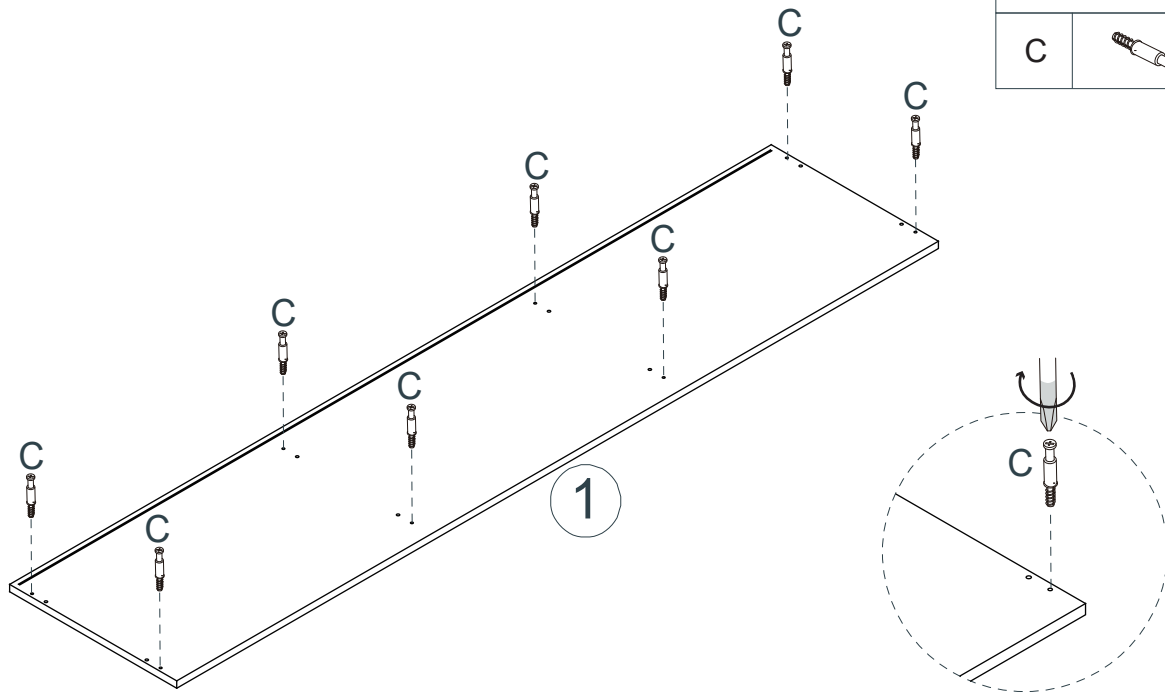
Shoulder is above the panel.


CAM-LOCK
Align the arrow on the Cam-lock to the Cam-bolt head and insert the Cam-lock.



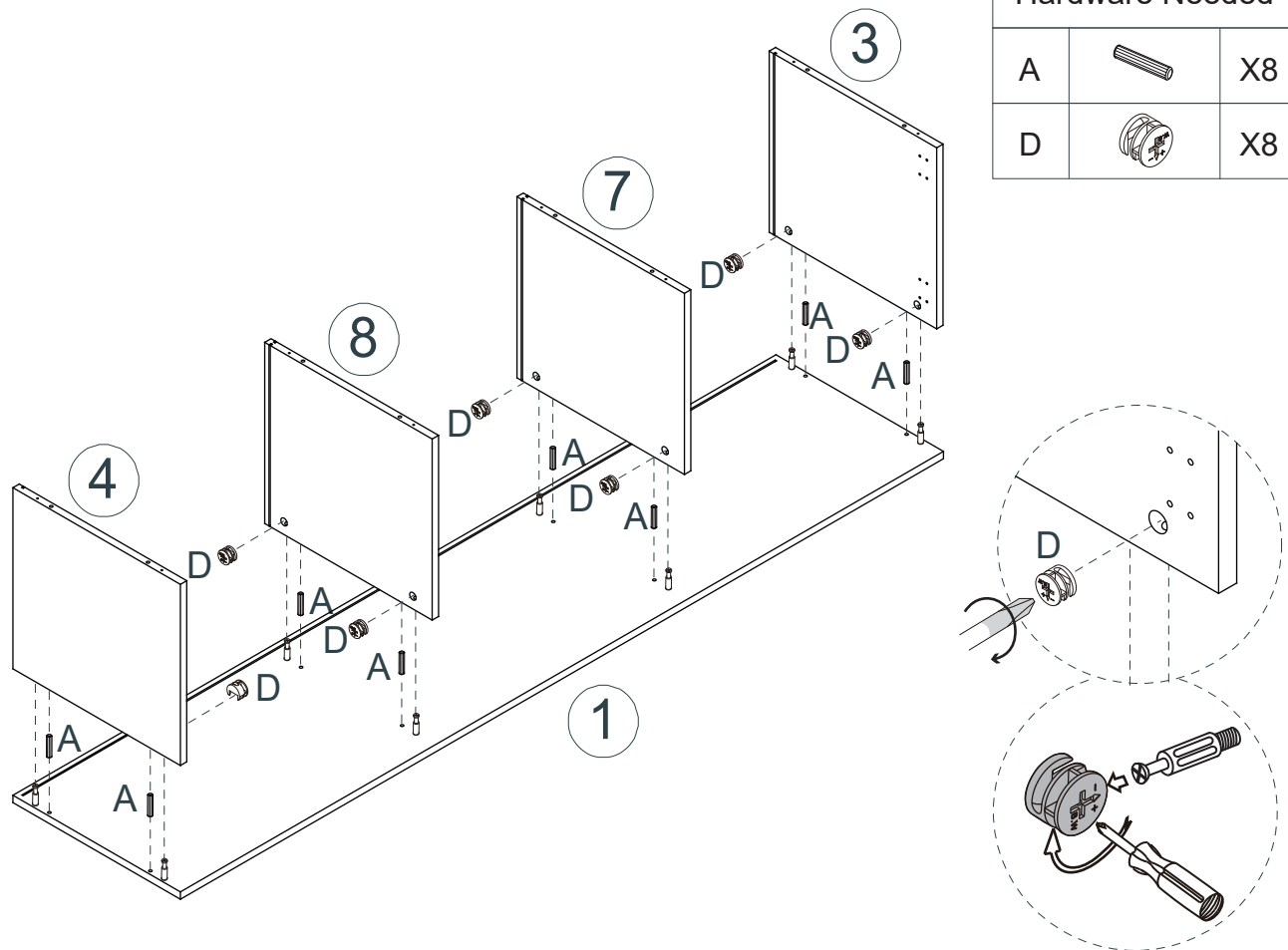
Use a Flat-head Screwdriver to turn Cam Lock clockwise to lock onto the head of the Cam Bolt. Turn until it is snug (about a half turn) – over-tightening could damage Cam Lock and/or Cam Bolt.

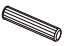

Step 1



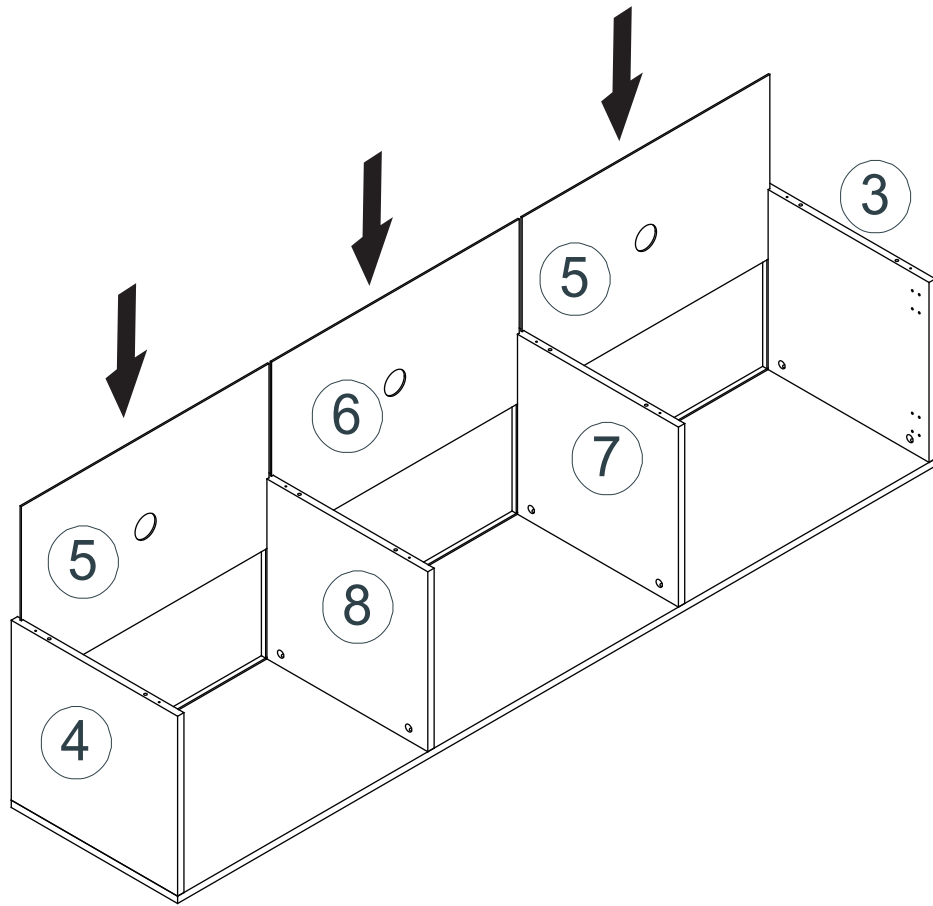
Hardware Needed		
C		X8

Step 2

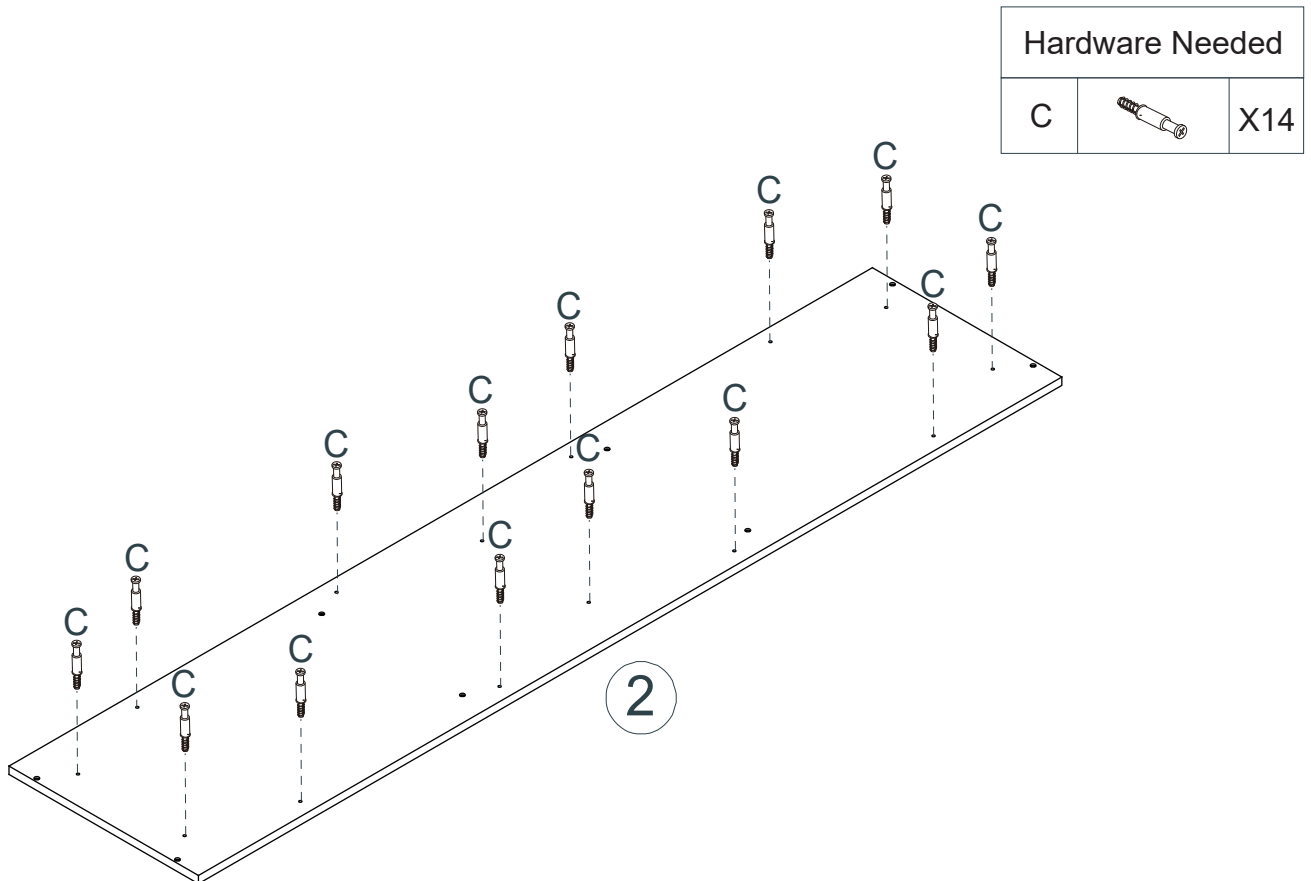


Hardware Needed		
A		X8
D		X8

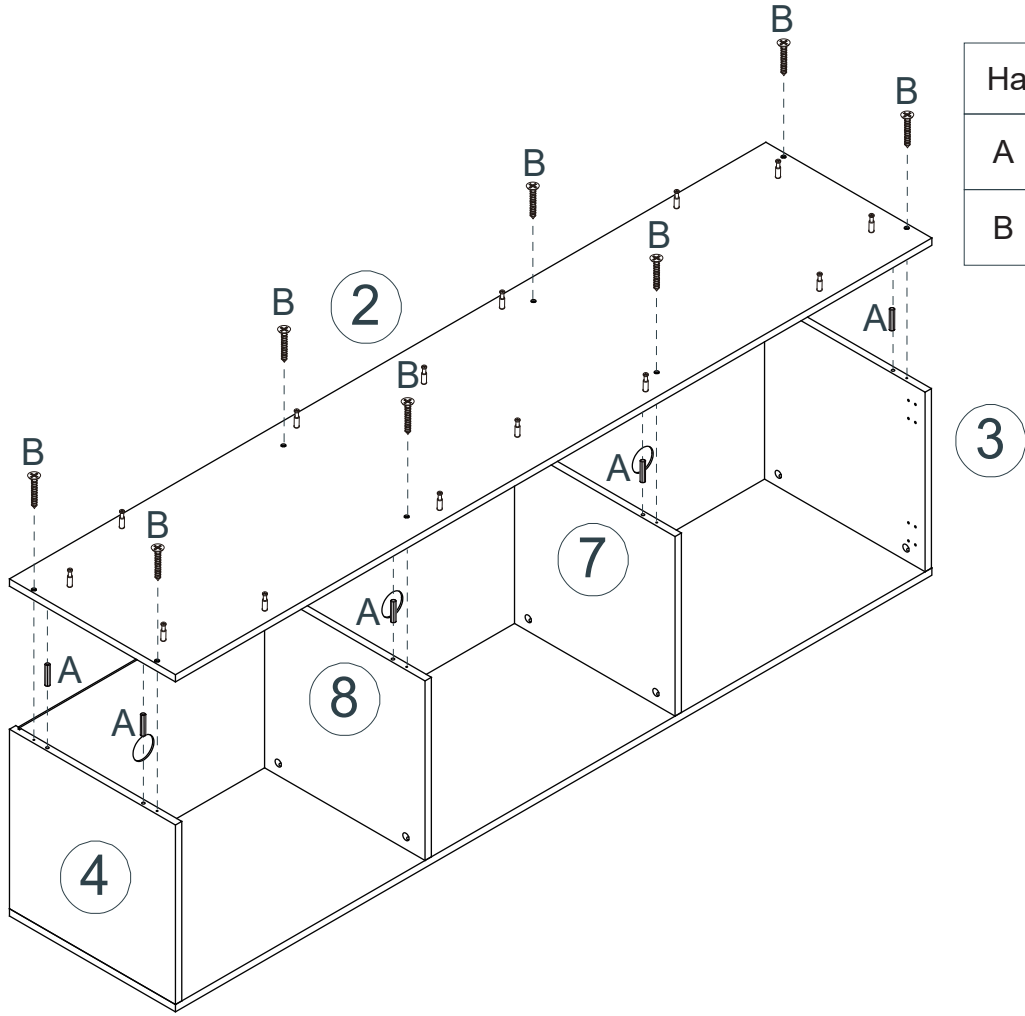
Step 3





Step 4

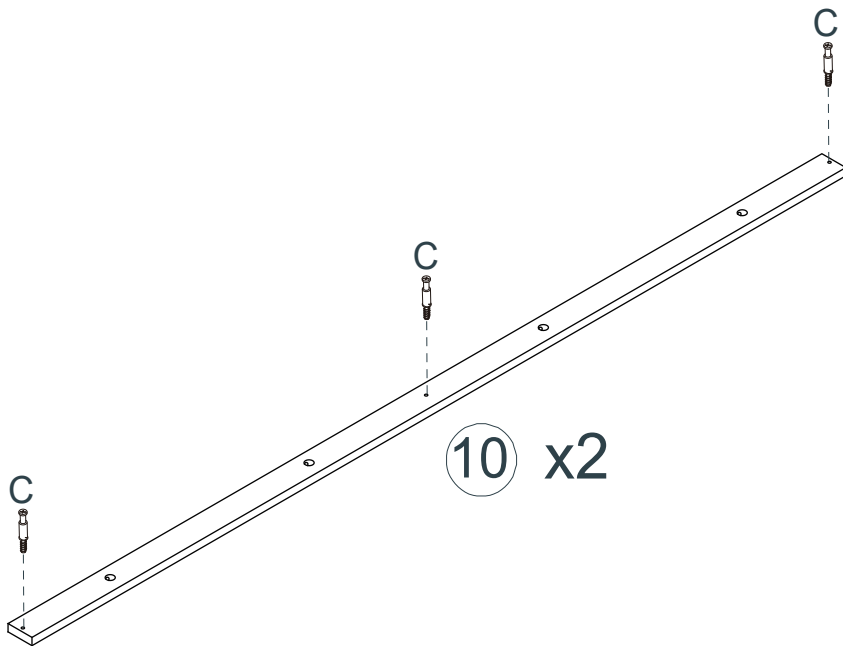



Step 5



Hardware Needed		
A		X8
B		X8

Step 6



Hardware Needed		
C		X6

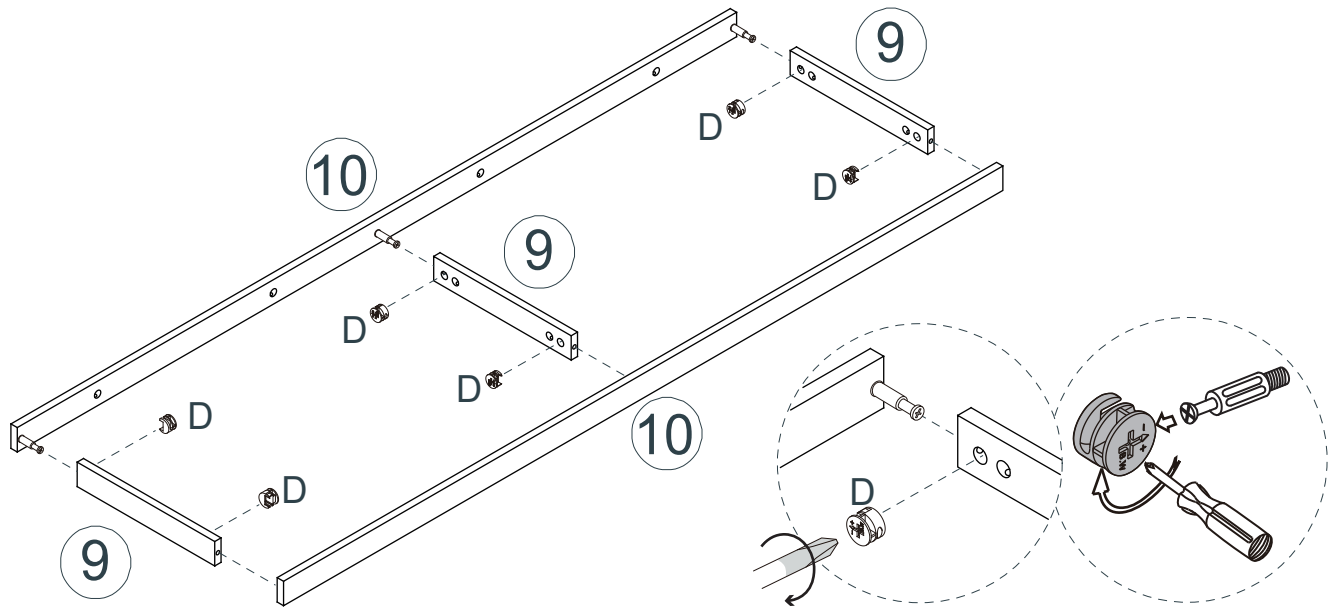
Step 7

Hardware Needed

D



X6



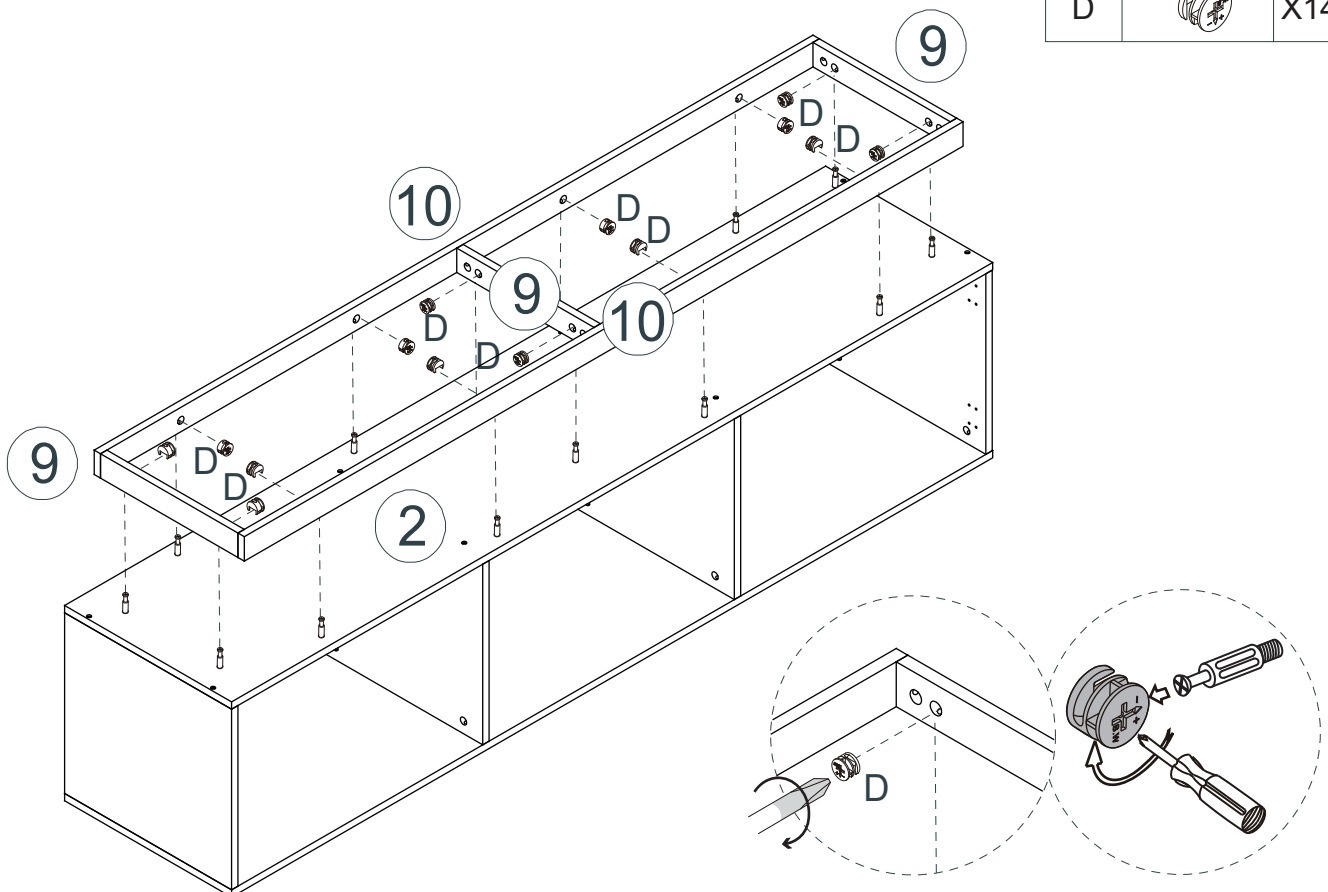
Step 8

Hardware Needed

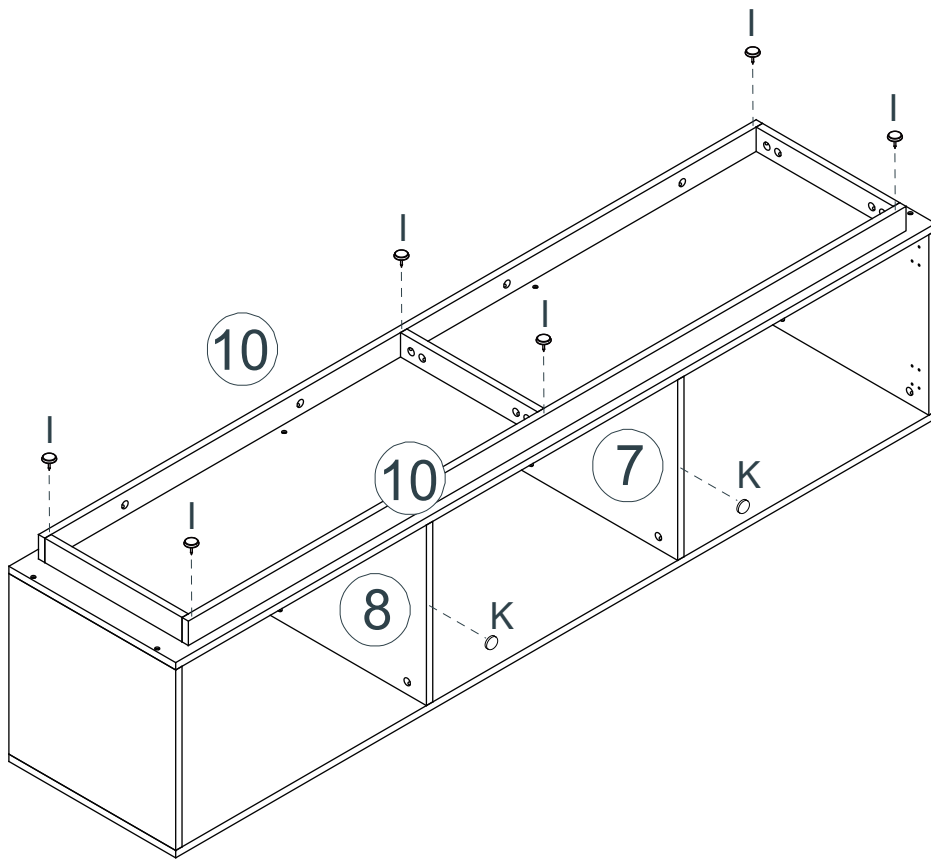
D





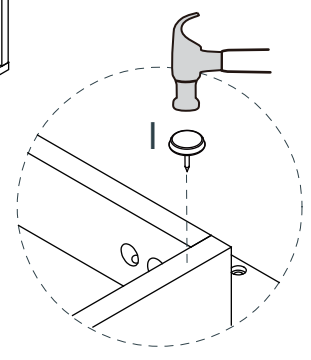
X14



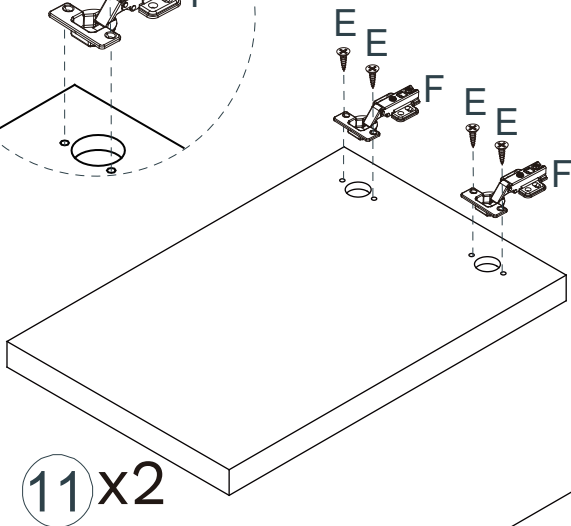
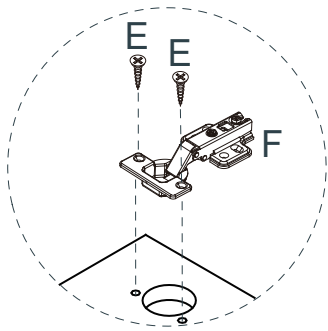
Step 9


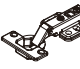



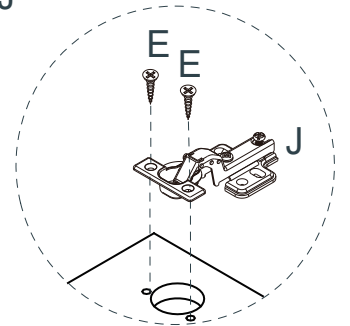
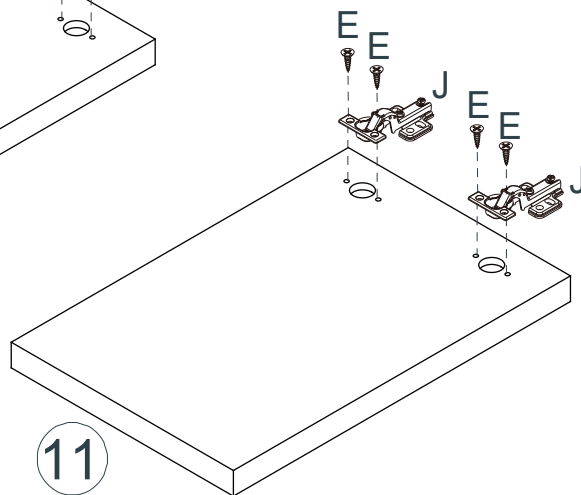
Hardware Needed		
I		x6
K		x2



Step 10

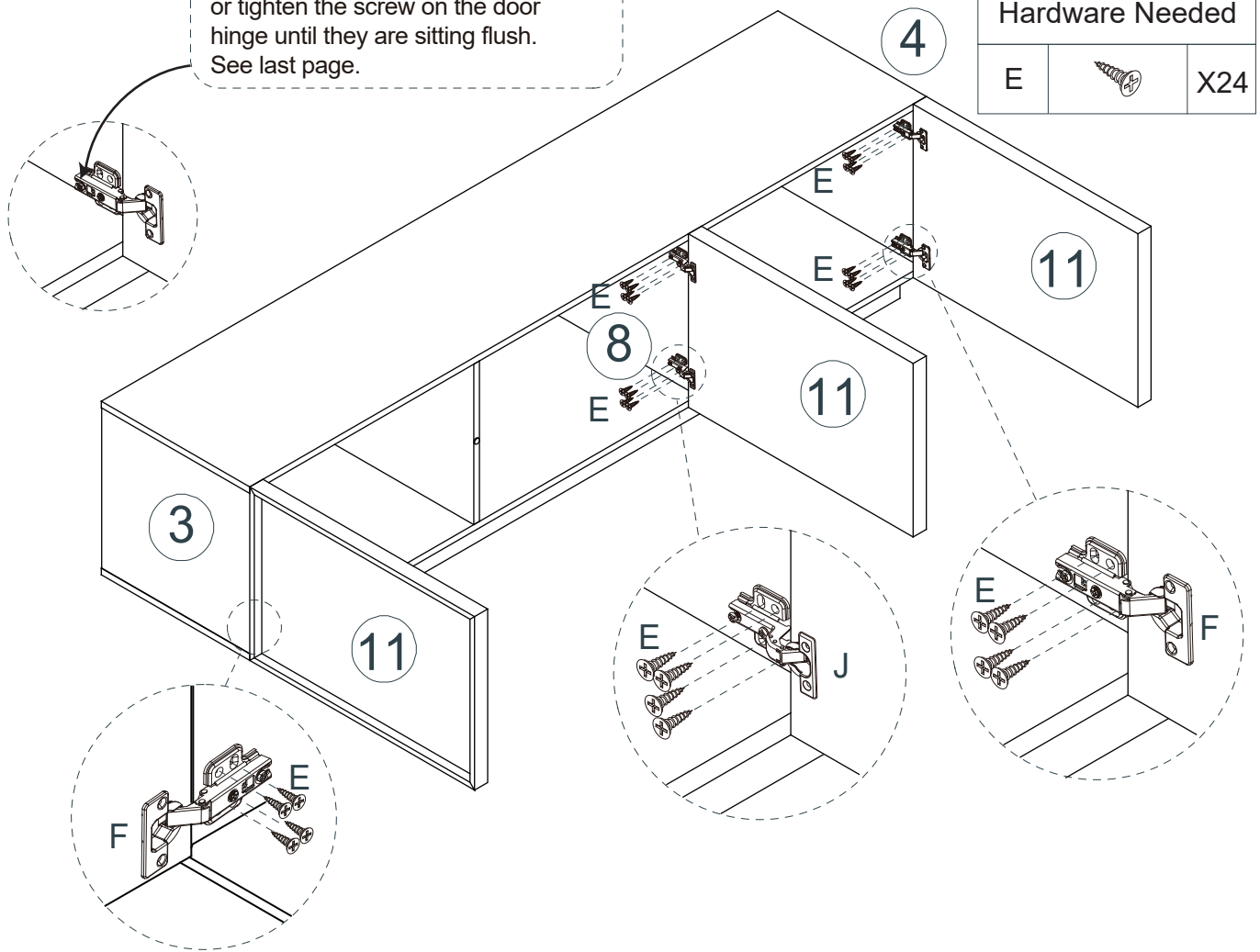


Hardware Needed		
E		x12
F		x4
J		x2

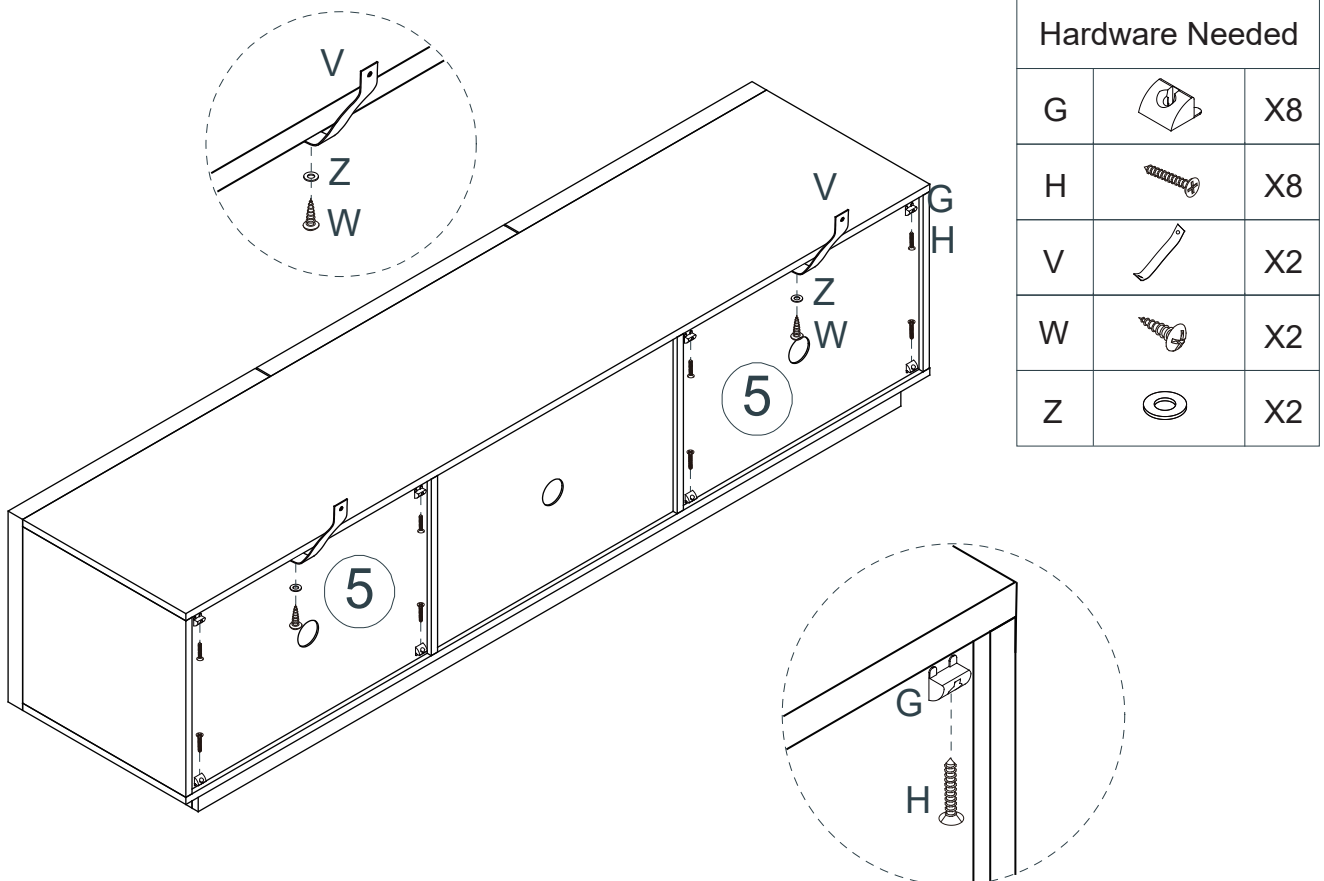


Step 11




NOTE: If the doors are uneven or there is a gap in the middle, loosen or tighten the screw on the door hinge until they are sitting flush. See last page.

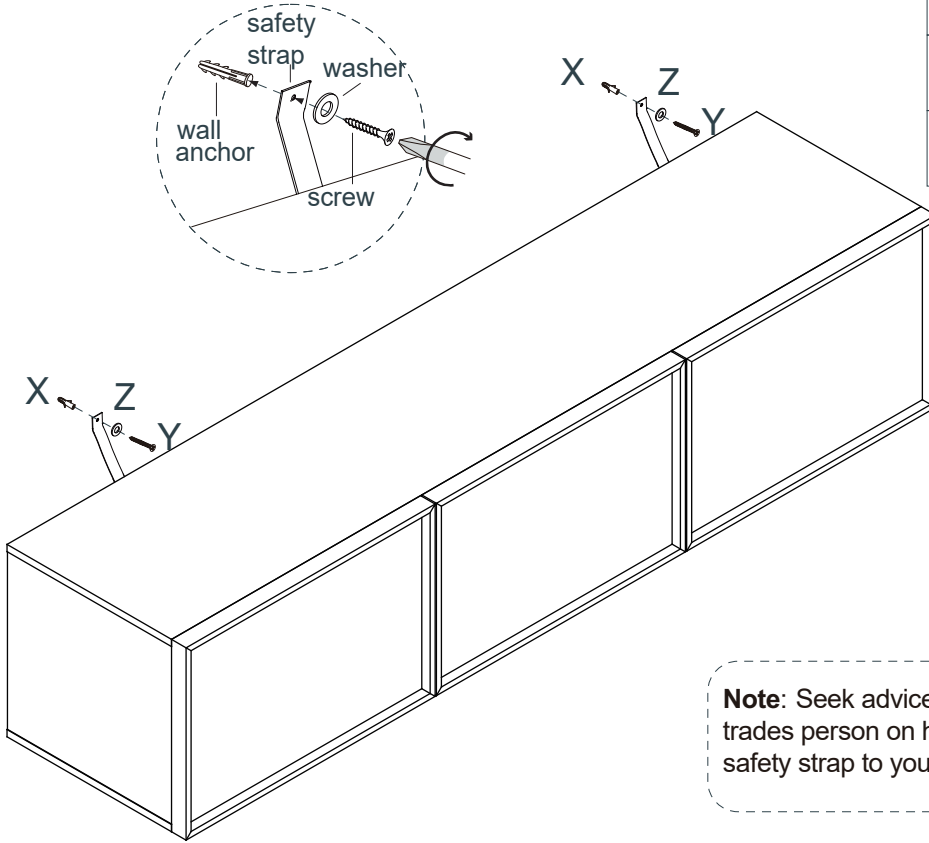


Step 12



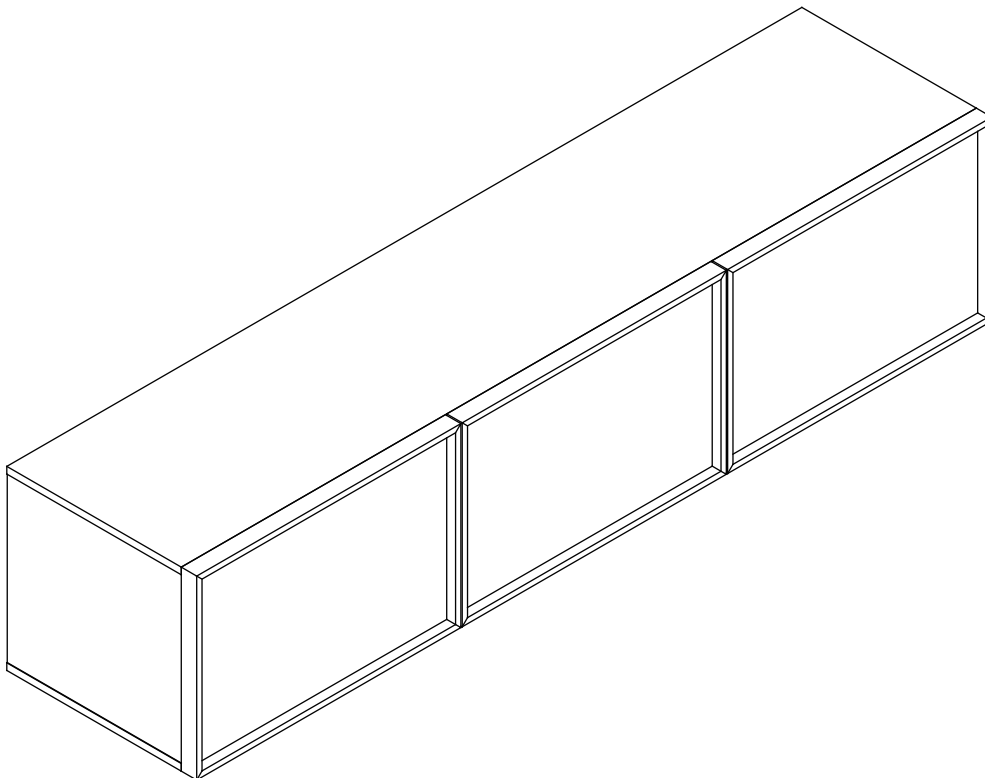
Step 13

Hardware Needed		
X		x2
Y		x2
Z		x2



Note: Seek advice from a qualified trades person on how to attach this safety strap to your specific wall.

Step 14



Step 15

HOW TO ADJUST THE HINGES TO ALIGN THE DOORS IF NEEDED.

