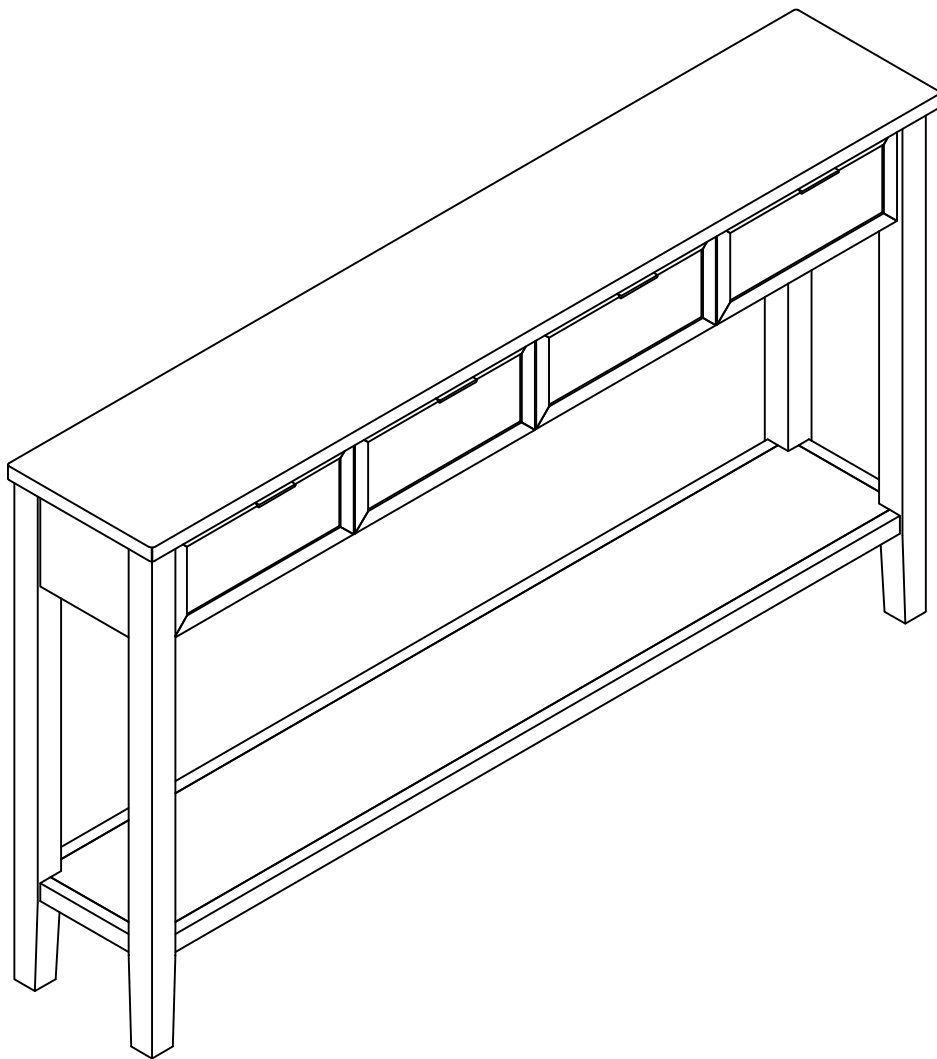


ASSEMBLY INSTRUCTION

ITEM NO. N711P218638



ASSEMBLY INSTRUCTION

ITEM NO. N711P218638

Please read these instructions fully before starting assembly:

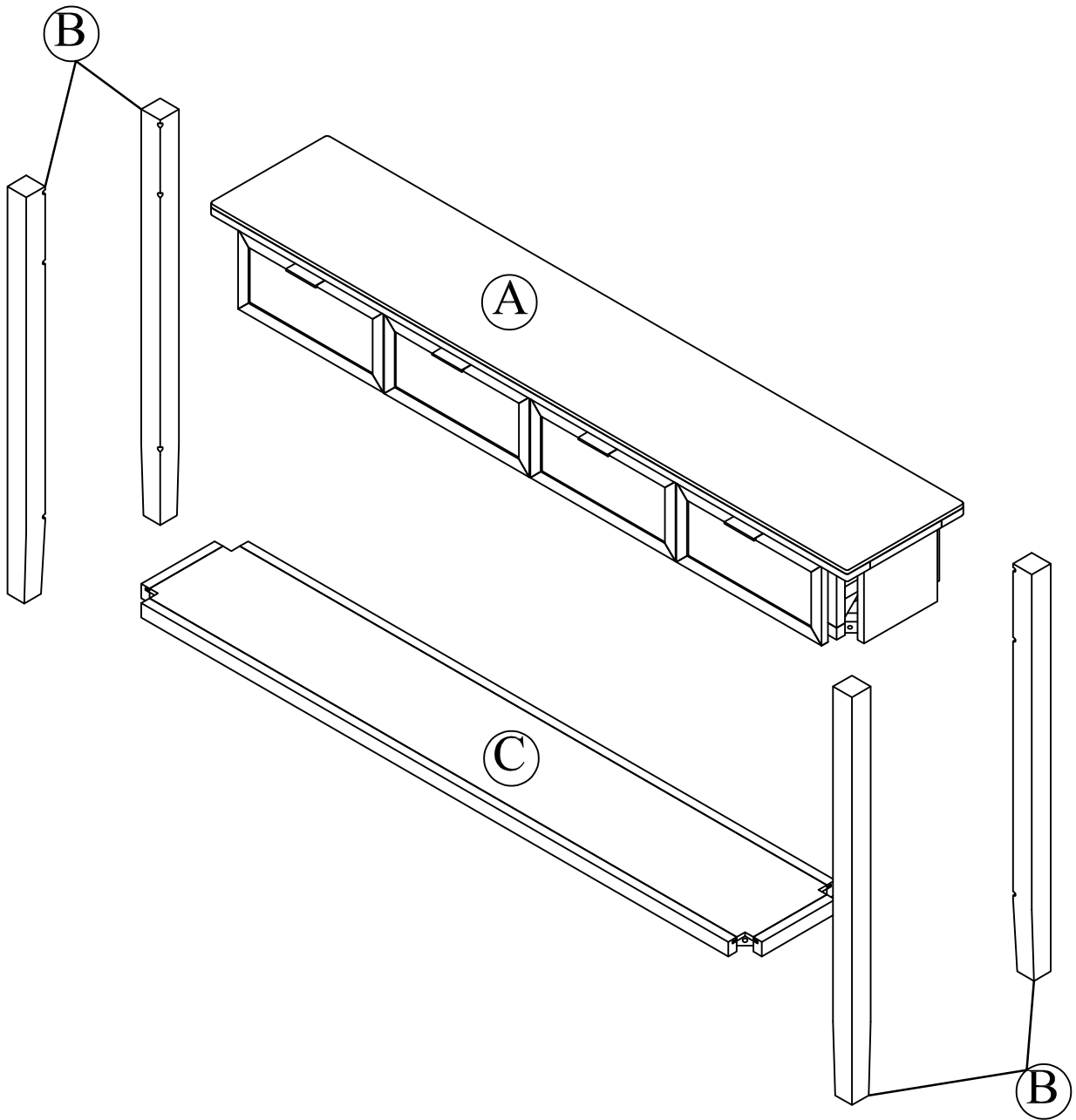
1. Place all wooden parts on a clean and smooth surface such as a rug or carpet to avoid scratching the parts.
2. Kindly follow the assembly instructions step by step.
3. Do not tighten all screws and bolts until the table is fully assembled.
4. Unscrew the protective plastic supports from the metal insert of the table legs before assembly.
5. Parts of the assembly will be easier with 2 people.

Care and maintenance:

Only clean using a damp cloth and mild detergent, do not use bleach or abrasive cleaners.

ASSEMBLY INSTRUCTION

ITEM NO. N711P218638



ASSEMBLY INSTRUCTION

ITEM NO. N711P218638

Part List

Ⓐ

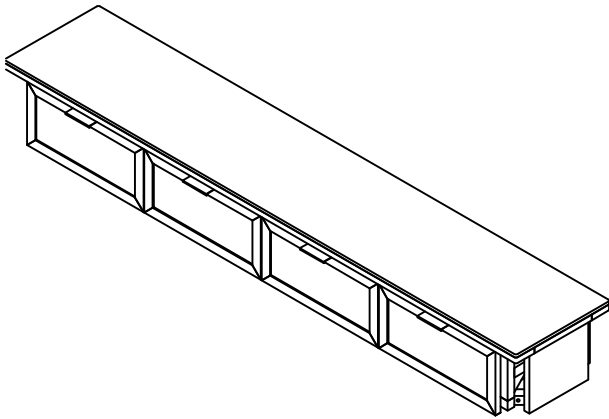
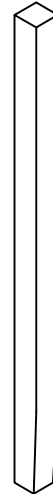


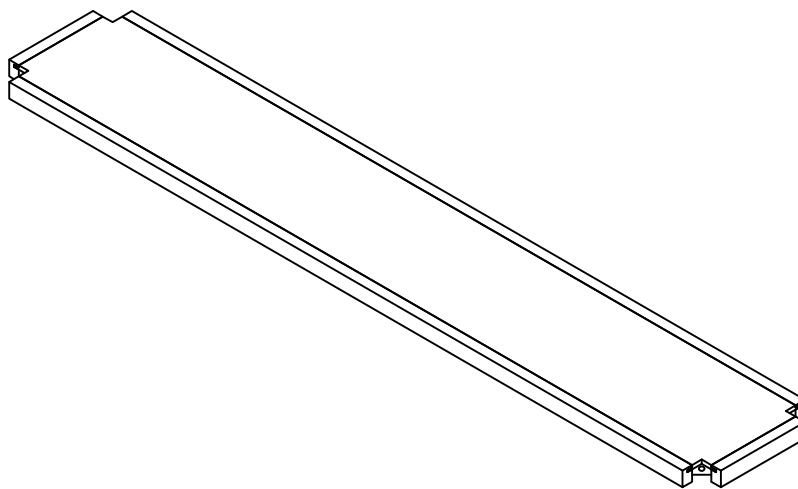
TABLE FRAME =1PC

Ⓑ



LEGS =4PCS

Ⓒ

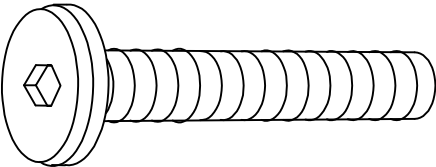
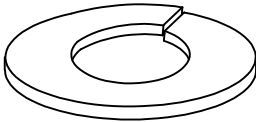


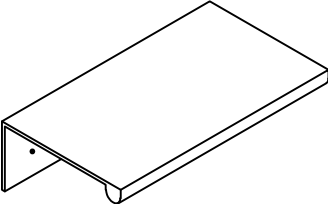
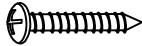
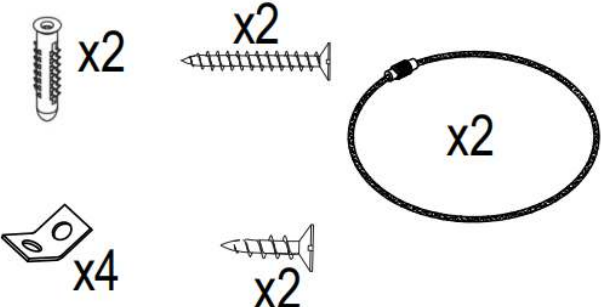


SHELF =1PC

ASSEMBLY INSTRUCTION

ITEM NO. N711P218638

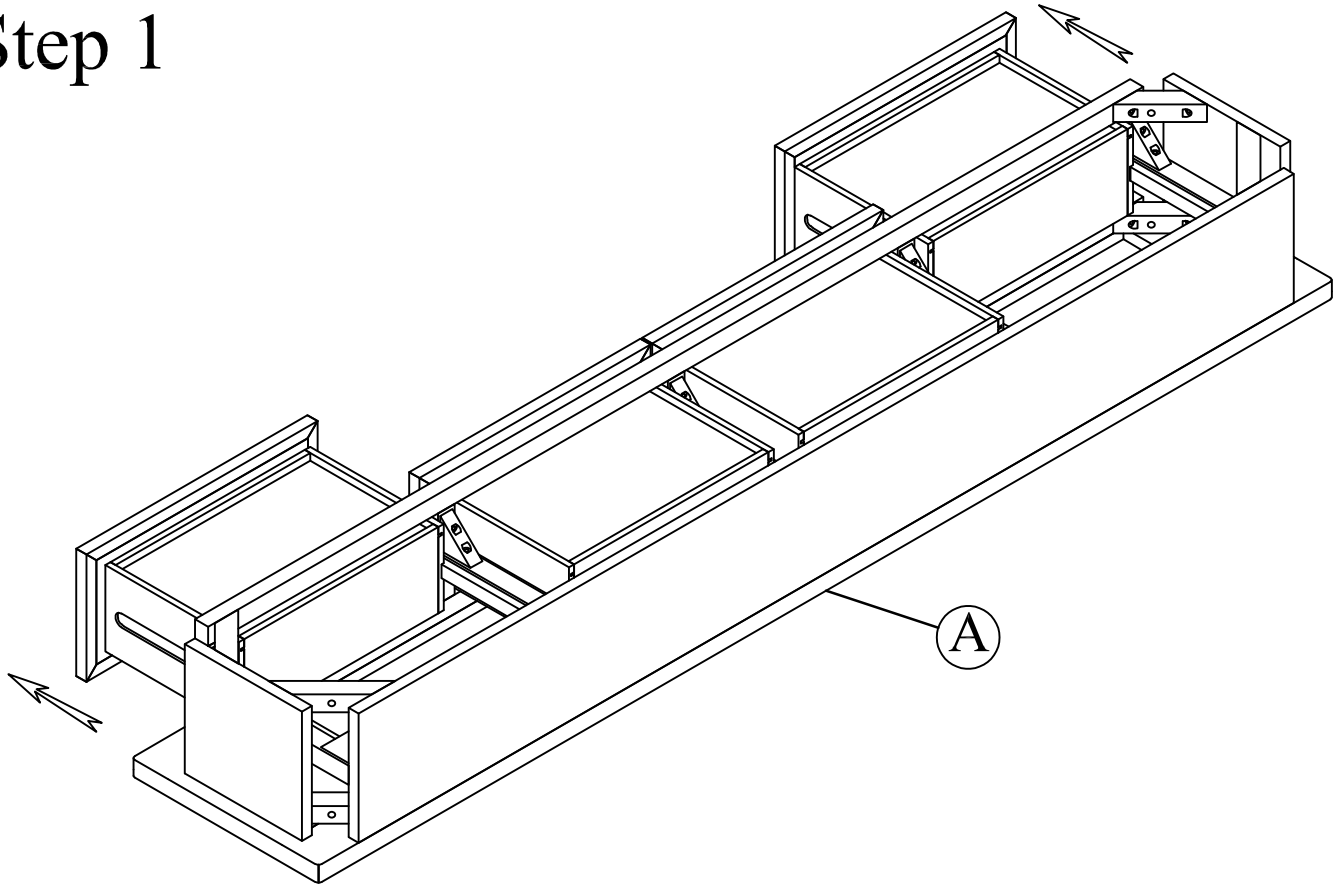
Hardware List

<p>①</p> 	<p>②</p> 
BOLT 1/4" X 50 =12PCS	SPRING WASHER =12PCS
<p>③</p> 	<p>④</p> 
FLAT WASHER =12PCS	ALLEN KEY K4 X 80 =1PC
<p>⑤</p> 	<p>⑥</p> 
HANDLE= 4PCS	SCREW M3 X12=8PCS
<p>⑦</p> 	
ANTITIP KIT =2SETS	

ASSEMBLY INSTRUCTION

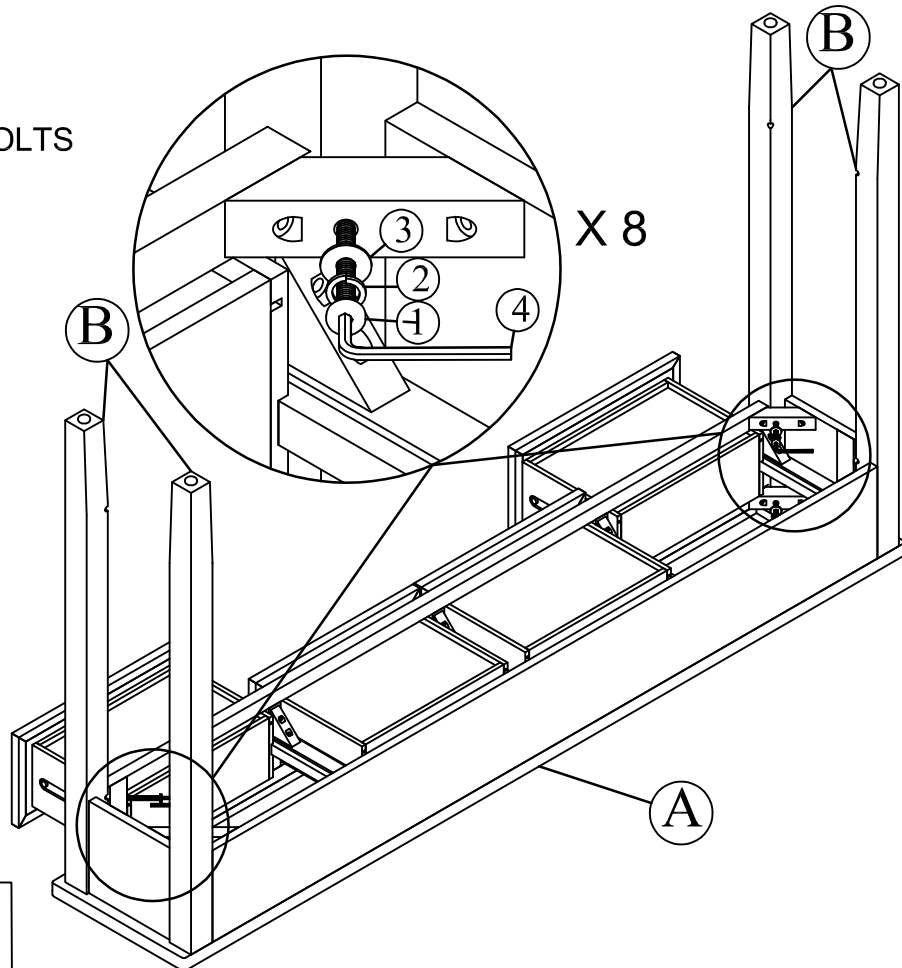
ITEM NO. N711P218638





Step 1



Step 2

DO NOT FULLY TIGHTEN BOLTS
(50% ONLY)



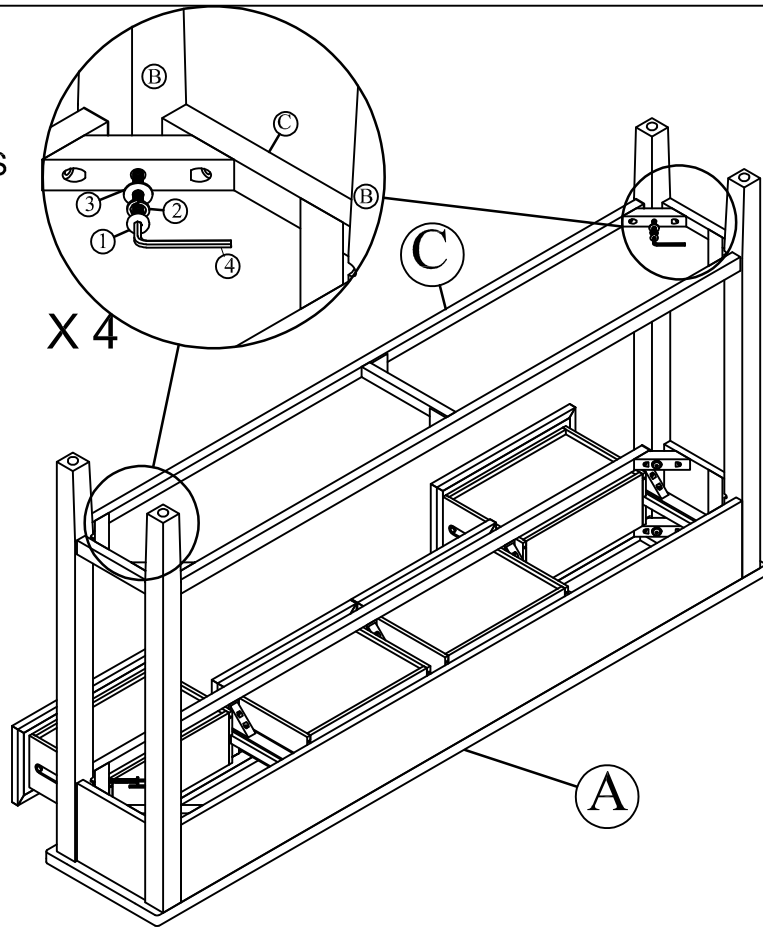
Bolt	Spring washer	Flat Washer	Allen Key
$\frac{1}{4}$ " x 50	$\varnothing 10$ x $\varnothing 6$	$\varnothing 12$ x $\varnothing 6$	K4 x 80
			
① x 8	② x 8	③ x 8	④ x 1





ASSEMBLY INSTRUCTION

ITEM NO. N711P218638

Step 3

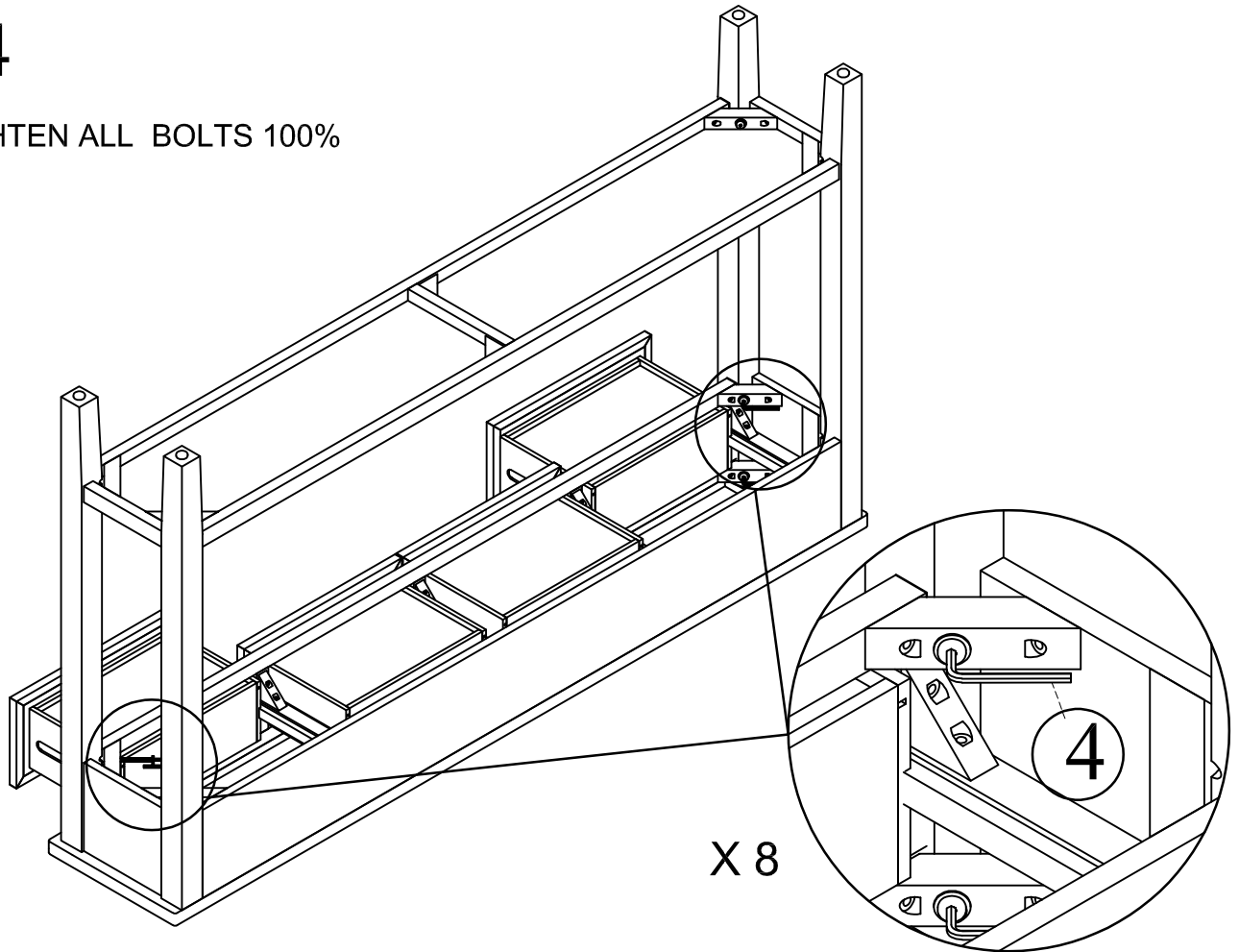
FULLY TIGHTEN ALL SHELF BOLTS
100%




Bolt	Spring washer	Flat Washer	Allen Key
$\frac{1}{4}$ " x 50	$\varnothing 10$ x $\varnothing 6$	$\varnothing 12$ x $\varnothing 6$	K4 x 80
			
① x 4	② x 4	③ x 4	④ x 1

Step 4

FULLY TIGHTEN ALL BOLTS 100%

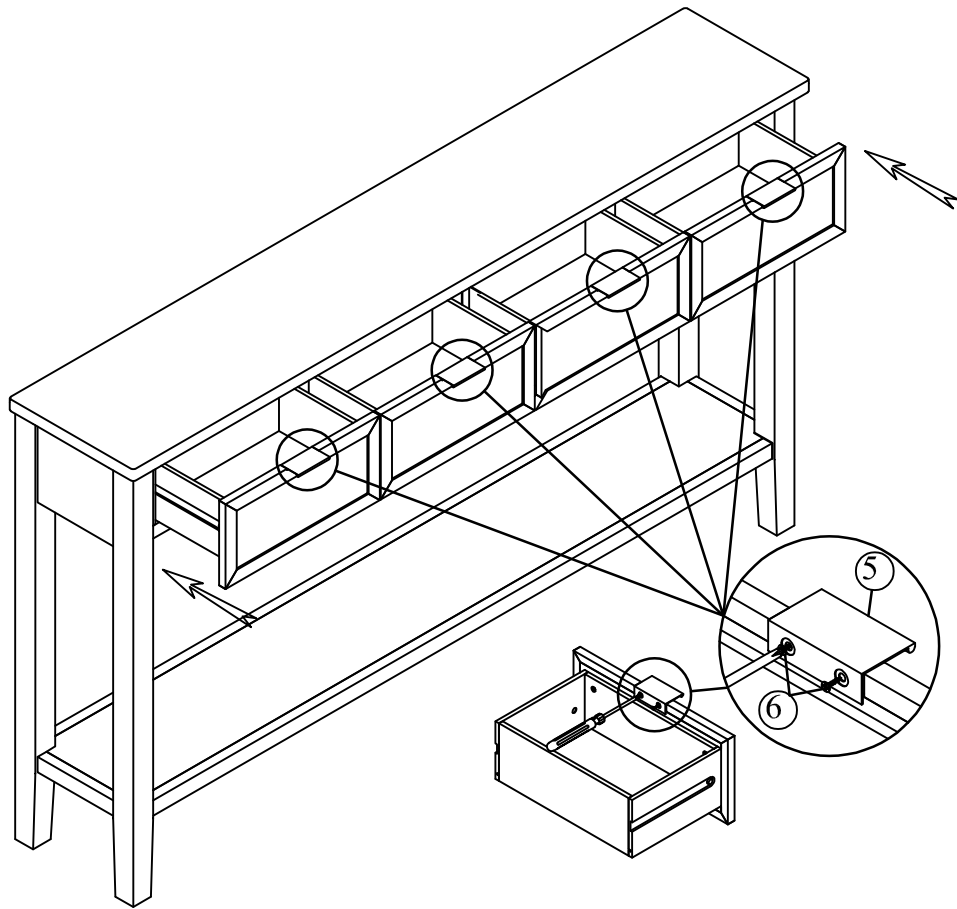




Allen Key
K4 x 80

④ x 1

ASSEMBLY INSTRUCTION

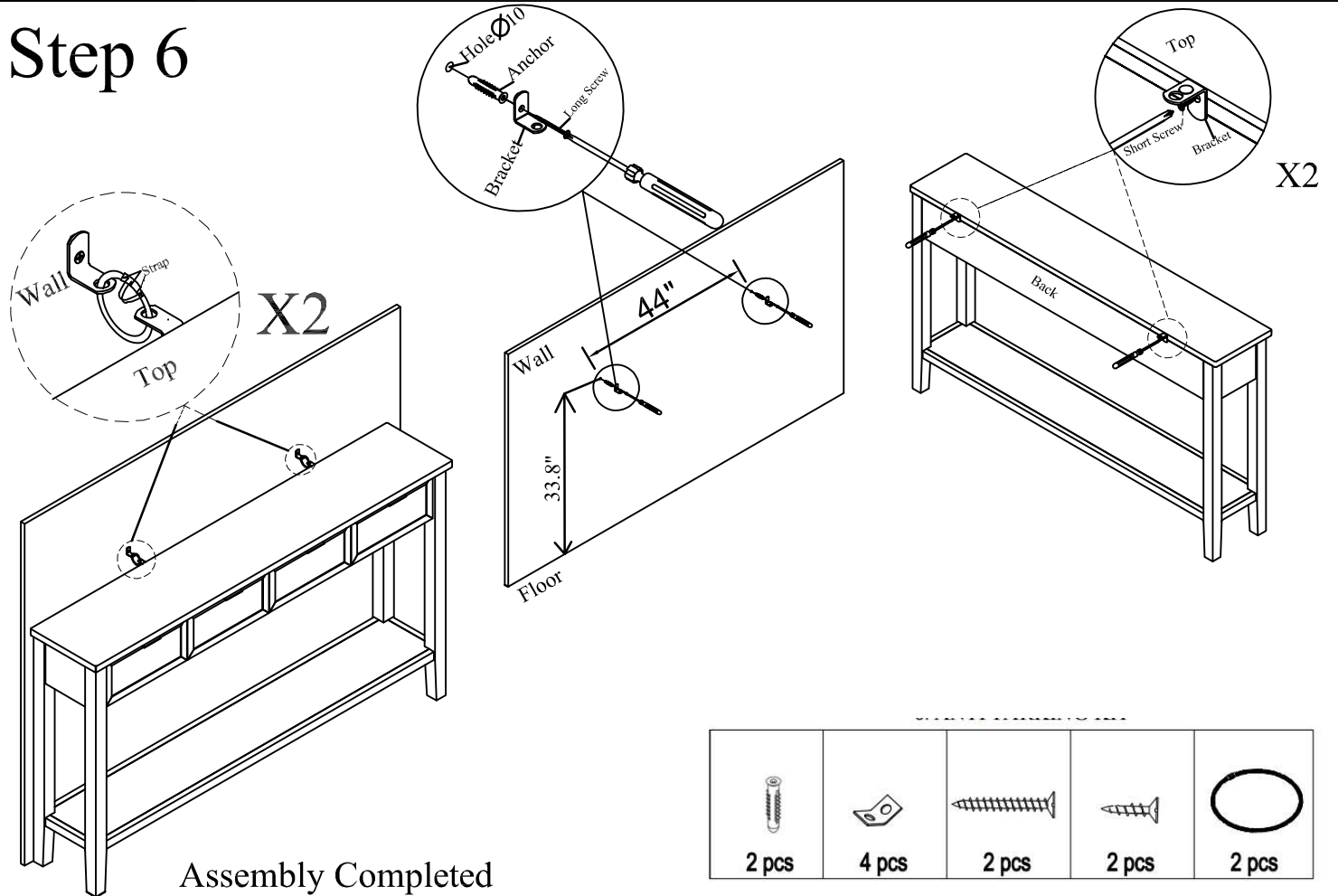
ITEM NO. N711P218638



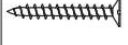

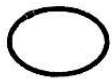
Step 5



Handle L70 x 40	Screw M3 x 12
	
⑤ x 4	⑥ x 8

Step 6



				
2 pcs	4 pcs	2 pcs	2 pcs	2 pcs