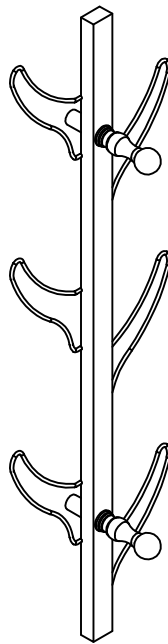


# ASSEMBLY INSTRUCTION

---

ITEM#:223092 223093 223094



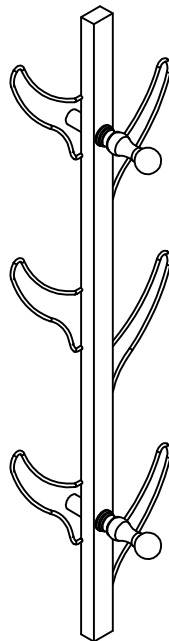
# ASSEMBLY INSTRUCTION

## **PLEASE READ BEFORE ASSEMBLING!**

Tip #1: Make sure you've taken all the pieces and hardware out of its packaging before discarding the box.

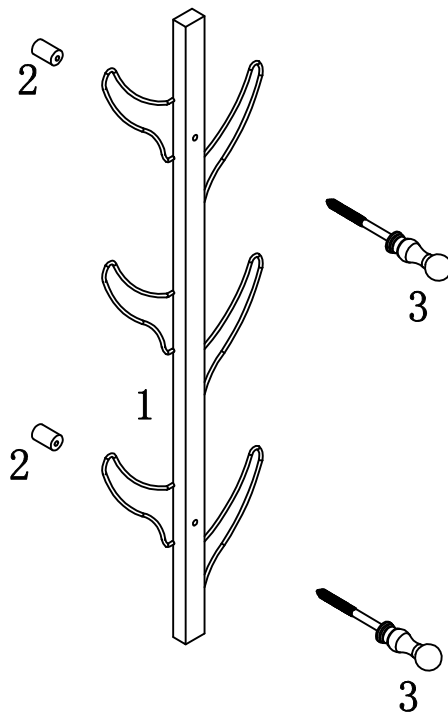
Tip #2: Using page 2 and/or page 3 of instruction manual make sure all pieces and hardware are accounted for.

**ITEM#:223092 223093 223094**



# PARTS IDENTIFICATION

ITEM#:223092 223093 223094

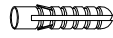


(1)	1pc
(2)	2pcs
(3)	2pcs

# HARDWARE IDENTIFICATION

ITEM#:223092 223093 223094

A



ø8x40

2PCS

Mark the placement for holes then drill a hole 1/4" for inserting drywall anchors (A).

## STEP 1

